



US00D660859S

(12) **United States Design Patent**
Lin et al.

(10) **Patent No.:** **US D660,859 S**
(45) **Date of Patent:** **** May 29, 2012**

(54) **PORTABLE MEMORY DRIVE**

(75) Inventors: **Chia Chum Lin**, Dali (TW); **Hsi Ming Tsai**, Zhudong Township (TW); **Yi Ting Lin**, Erlin Township (TW); **Yao Te Chiang**, Hsinchu (TW); **Wen Hung Tu**, Tanzi Township (TW)

(73) Assignee: **Kingston Technology Corporation**, Fountain Valley, CA (US)

(**) Term: **14 Years**

(21) Appl. No.: **29/394,529**

(22) Filed: **Jun. 17, 2011**

(51) **LOC (9) Cl.** **14-02**

(52) **U.S. Cl.** **D14/480.7**

(58) **Field of Classification Search** D14/411,
D14/433, 435.1, 436, 480.1–480.7, 484.1,
D14/137, 155, 203.1–203.8, 240; D13/133,
D13/154; 710/300, 301; 439/131, 135–147;
361/679.31, 679.33, 679.4, 752; 711/100,
711/115

See application file for complete search history.

(56) **References Cited**

U.S. PATENT DOCUMENTS

6,456,500	B1 *	9/2002	Chen	361/752
7,153,148	B2 *	12/2006	Chen et al.	439/141
D543,202	S *	5/2007	Siu	D14/480.5
D547,311	S *	7/2007	Chen et al.	D14/480.7
D581,413	S *	11/2008	Kim	D14/480.7
D587,266	S *	2/2009	Deguchi	D14/480.7
D616,449	S *	5/2010	Lo	D14/480.7
D620,017	S *	7/2010	Lo	D14/480.7
D620,946	S *	8/2010	Lo	D14/480.5
D624,554	S *	9/2010	Lo	D14/480.7
7,815,446	B2 *	10/2010	Yang	439/131

D629,409	S *	12/2010	Lo	D14/480.7
D647,100	S *	10/2011	Huang	D14/480.7
2010/0124831	A1 *	5/2010	Chou et al.	439/131

OTHER PUBLICATIONS

Techtree.com India > Reviews > Mobile Computing > Portable Storage > Kingston DataTraveler 200 64GB: USB Flash Drive, p. 1 [online] Sep. 25, 2009 [retrieved on May 17, 2010]. Retrieved from the Internet <URL: http://www.techtree.com/techtree/jsp/article.jsp?print=1&article_id=106549&cat_id=611>.*

* cited by examiner

Primary Examiner — Karen E Kearney

(74) *Attorney, Agent, or Firm* — Law Offices of S. J. Christine Yang

(57) **CLAIM**

The ornamental design for a portable memory drive, as shown and described.

DESCRIPTION

FIG. 1 is a perspective view of a portable memory drive in accordance with an embodiment of the present invention.

FIG. 2 is a side view of the portable memory drive of FIG. 1.

FIG. 3 is a top view of the portable memory drive of FIG. 1.

FIG. 4 is a second side view of the portable memory drive of FIG. 1.

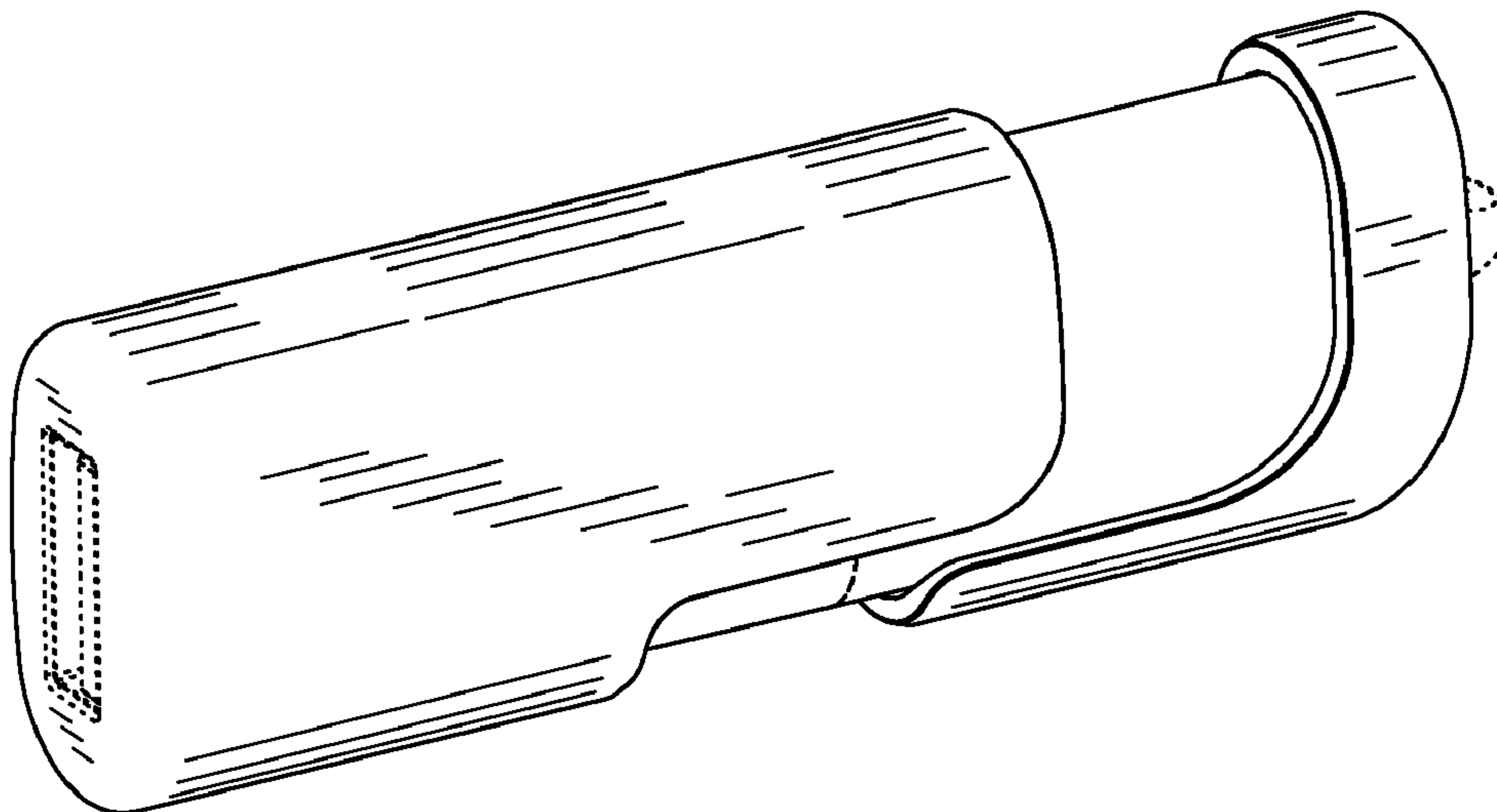
FIG. 5 is a bottom view of the portable memory drive of FIG. 1.

FIG. 6 is an end view of the portable memory drive of FIG. 1; and,

FIG. 7 is a second end view of the portable memory drive of FIG. 1.

The broken line showing of the connector is for the purpose of illustrating an unclaimed portion of the portable memory drive and forms no part of the claimed design. The line surface shading is for the purpose of showing contour and is not surface ornamentation.

1 Claim, 7 Drawing Sheets



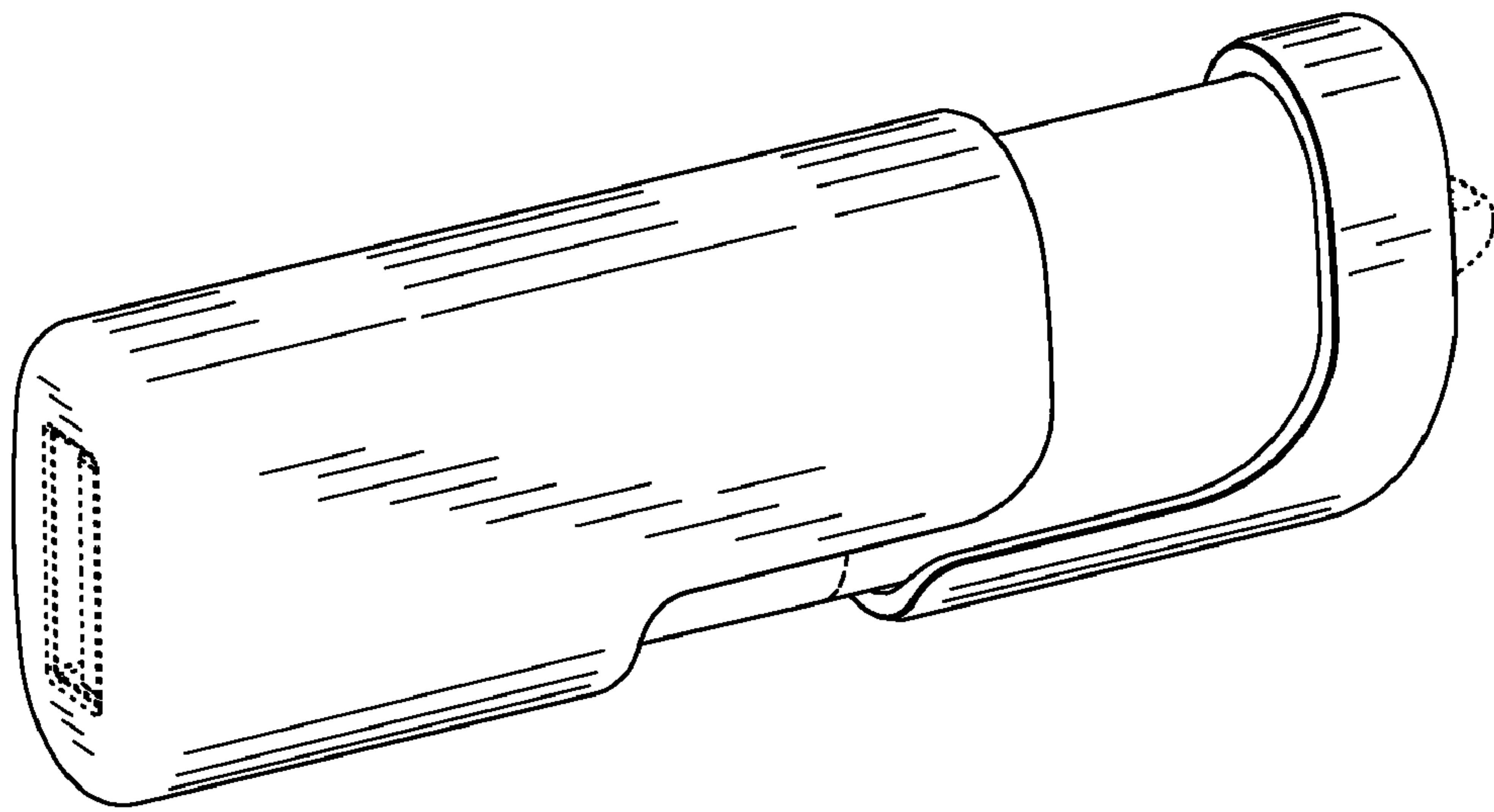


FIG. 1

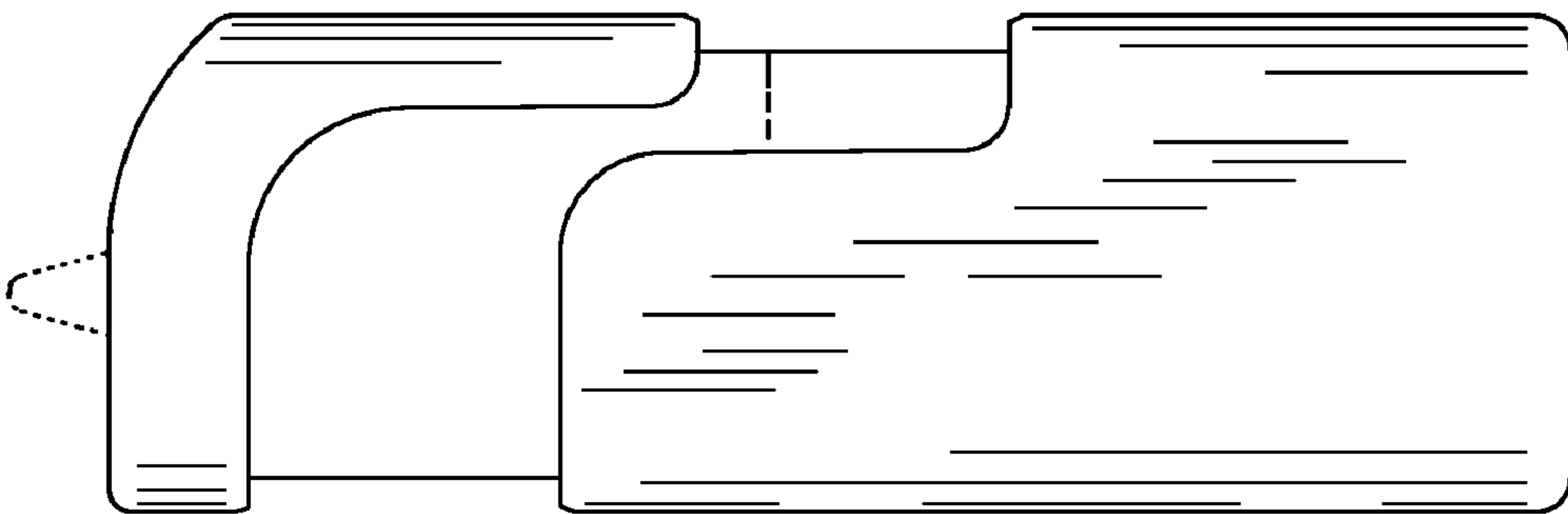


FIG. 2

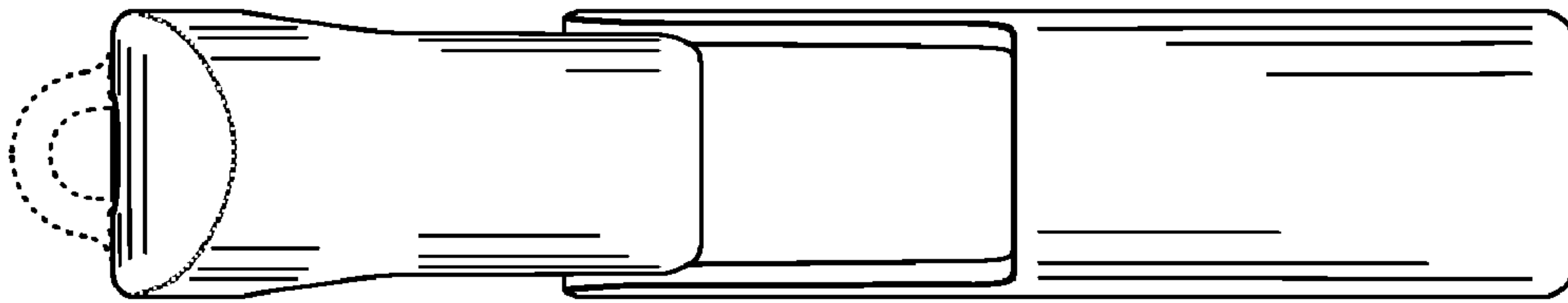


FIG. 3

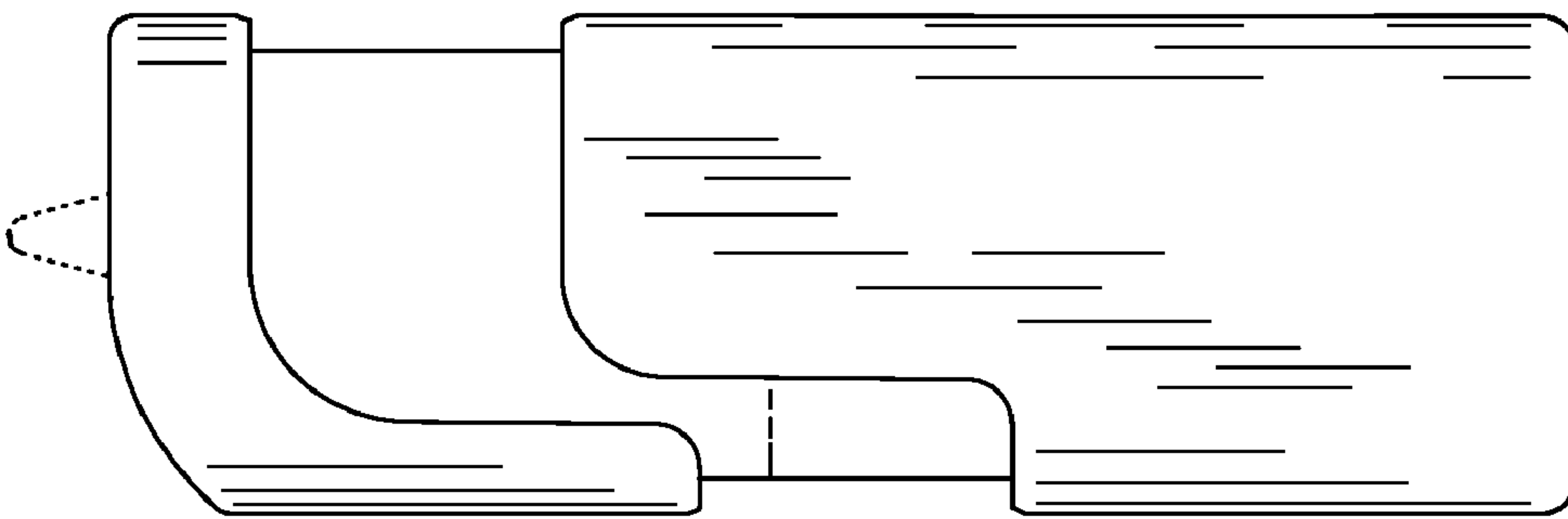


FIG. 4

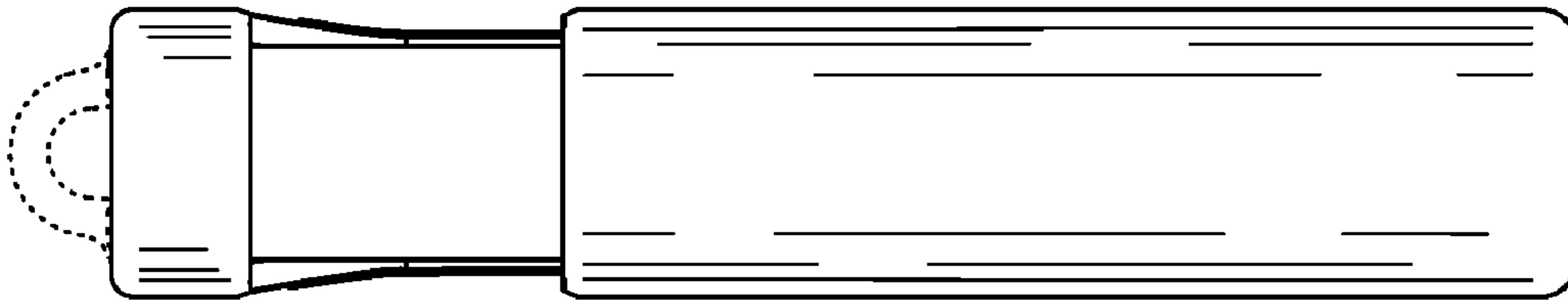


FIG. 5

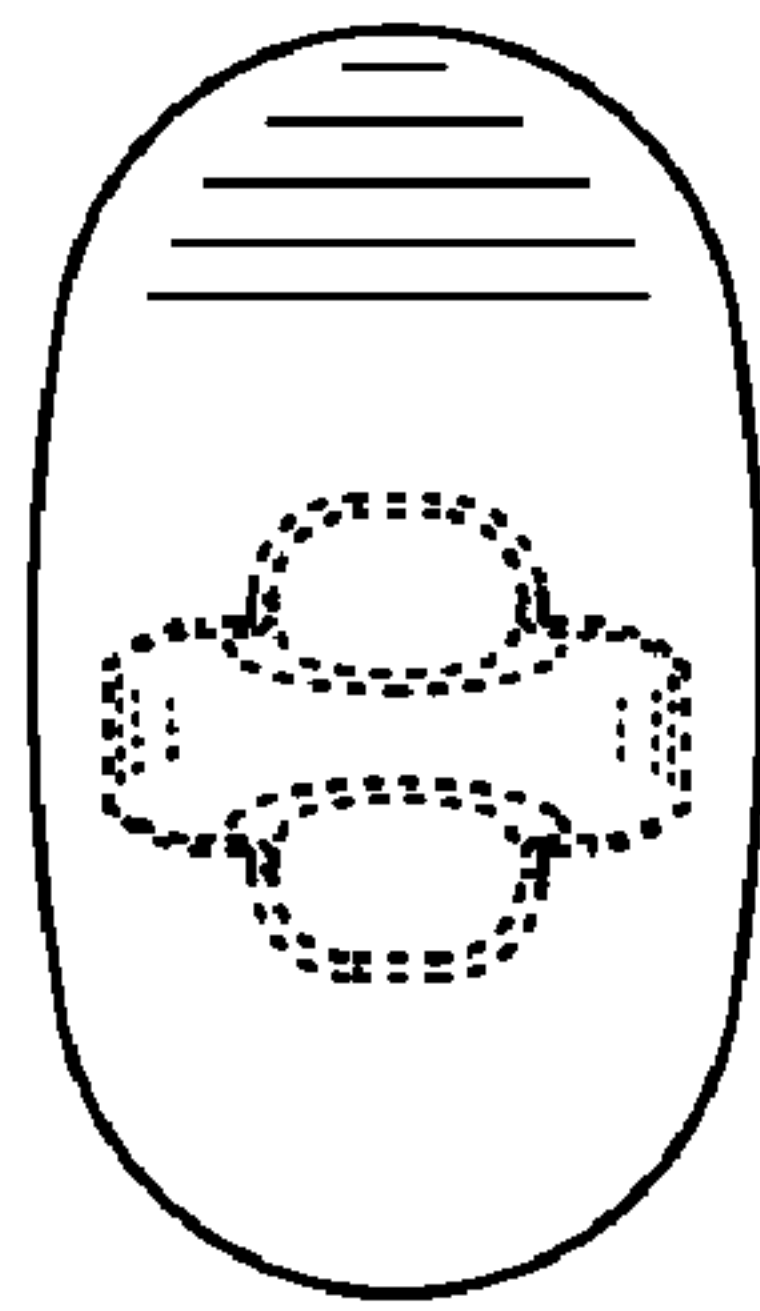


FIG. 6

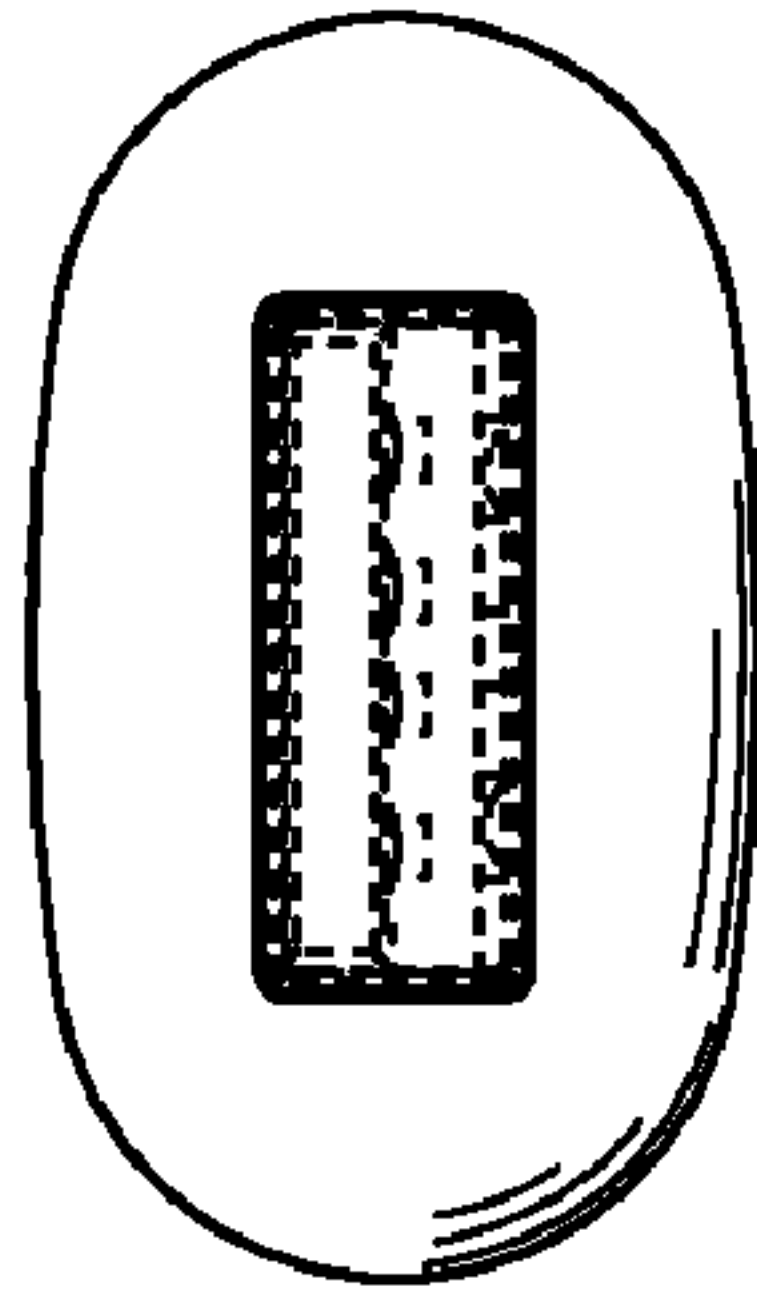


FIG. 7