

US00D660858S

(12) **United States Design Patent**  
**Schlossstein**

(10) **Patent No.:** **US D660,858 S**

(45) **Date of Patent:** **\*\* May 29, 2012**

(54) **USB MEMORY DEVICE**

(76) Inventor: **Karl Phillip Schlossstein**, London (GB)

(\*\*) Term: **14 Years**

(21) Appl. No.: **29/383,295**

(22) Filed: **Jan. 14, 2011**

(30) **Foreign Application Priority Data**

Aug. 4, 2010 (EM) ..... 001739723-0001

(51) **LOC (9) Cl.** ..... **14-02**

(52) **U.S. Cl.** ..... **D14/480.7**

(58) **Field of Classification Search** ..... D14/411,  
D14/433, 435.1, 436, 480.1–480.7, 484.1,  
D14/137, 155, 203.1–203.8, 240; D13/133,  
D13/154; 710/300, 301; 439/131, 135–147;  
361/679.31, 679.33, 679.4, 752; 711/100,  
711/115

See application file for complete search history.

(56) **References Cited**

**U.S. PATENT DOCUMENTS**

D492,307 S *	6/2004	Aqqad et al.	.....	D14/480.5
D514,561 S *	2/2006	Lim	.....	D14/480.1
D518,907 S *	4/2006	Leung	.....	D14/480.5
D532,783 S *	11/2006	Yu	.....	D14/480.3
D538,280 S *	3/2007	Sugita	.....	D14/480.5
D545,318 S *	6/2007	Klenske et al.	.....	D14/484.1
D554,119 S *	10/2007	Otsuka et al.	.....	D14/480.5
D556,210 S *	11/2007	Choi et al.	.....	D14/496
D556,752 S *	12/2007	Otsuka	.....	D14/480.5
D567,238 S *	4/2008	Patton et al.	.....	D14/480.2
D569,375 S *	5/2008	Yu et al.	.....	D14/385
D583,374 S *	12/2008	Otsuka	.....	D14/480.5
7,503,780 B1 *	3/2009	Huang	.....	439/135
7,630,204 B2 *	12/2009	Pomerantz	.....	361/752
D642,585 S *	8/2011	Lan et al.	.....	D14/480.5

(Continued)

**OTHER PUBLICATIONS**

A-Data Technology, p. 1 [online], [retrieved on May 25, 2010]. Retrieved from the Internet <URL: [http://www.adata.com.tw/en/product\\_show.php?ProductNo=AC81ZZZWH](http://www.adata.com.tw/en/product_show.php?ProductNo=AC81ZZZWH)>.\*

(Continued)

*Primary Examiner* — Karen E Kearney

(74) *Attorney, Agent, or Firm* — Douglas L. Weller

(57) **CLAIM**

The ornamental design for a USB memory device, as shown and described.

**DESCRIPTION**

FIG. 1 is a top front right perspective view of the USB memory device.

FIG. 2 is a top plan view of the USB memory device, the bottom being a mirror image of the top.

FIG. 3 is a front elevational view of the USB memory device.

FIG. 4 is a right side elevational view of the USB memory device, the left being a mirror image of the right.

FIG. 5 is a top plan view of the USB memory device where the cover is detached exposing the USB connector.

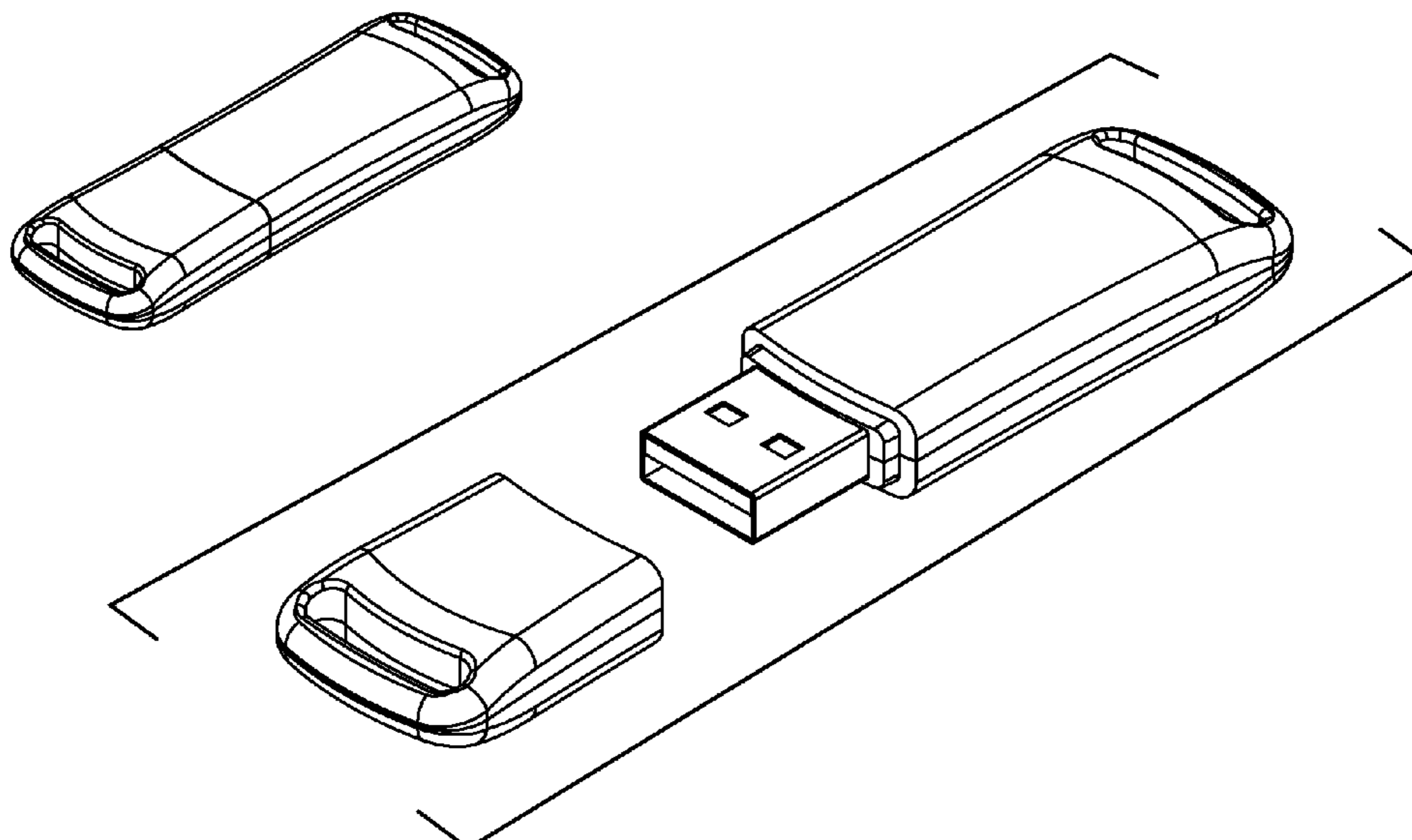
FIG. 6 is a right side elevational view of the USB memory device where the cover is detached exposing the USB connector.

FIG. 7 is a top front right perspective view of the USB memory device where the cover is detached exposing the USB connector; and,

FIG. 8 is a top front left perspective view of the USB memory device where the USB memory device has been attached to a next strap or lanyard.

The broken line showing of the strap is included for the purpose of illustrating environmental structure and forms no part of the claimed design.

**1 Claim, 2 Drawing Sheets**



U.S. PATENT DOCUMENTS

D648,730 S \* 11/2011 Huang ..... D14/480.5  
2007/0101060 A1 \* 5/2007 Robinson et al. .... 711/115  
2010/0248510 A1 \* 9/2010 Zhang et al. .... 439/131

OTHER PUBLICATIONS

A-Data Technology—Classic Series C906, p. 1 [online], [retrieved on May 25, 2010]. Retrieved on [http://www.adata.com.tw/en/product\\_show.php?ProductNo=AC96ZZZBK](http://www.adata.com.tw/en/product_show.php?ProductNo=AC96ZZZBK)>.\*  
www.frontier-electronics.co.za, Web Archive [online] Dec. 1, 2005 [retrieved on Dec. 13, 2006]. Retrieved from the Internet <URL: [http://web.archive.org/web/20051201015403/http://www.frontier-electronics.co.za/images/sdp\\_adata\\_flash\\_drive.jpg](http://web.archive.org/web/20051201015403/http://www.frontier-electronics.co.za/images/sdp_adata_flash_drive.jpg)>.\*

Bluetooth USB Dongle(BT-21)—Wanshih Electronic Co., Ltd, Web Archive, p. 1 [online] Aug. 23, 2003 [retrieved on Dec. 6, 2006]. Retrieved from the Internet <URL: <http://web.archive.org/web/20030823003914/http://www.allproducts.com/manufacture99/wanshih/product2.html>>.\*

byteStar, Web Archive [online] Nov. 24, 2005 [retrieved on Dec. 13, 2006]. Retrieved from the Internet <URL:<http://web.archive.org/web/20051124213100/http://images-eu.amazon.com/images/P/B000A0D8JK.02.LZZZZZZZ.jpg>>.\*

Gear Live | Home—Mustek Ships New Bluetooth Dongle, p. 12 [online] Jul. 21, 2006 [retrieved on Dec. 13, 2006]. Retrieved from the Internet <URL: <http://www.gearlive.com/index.php/news/category/USB/>>.\*

\* cited by examiner

FIG.1

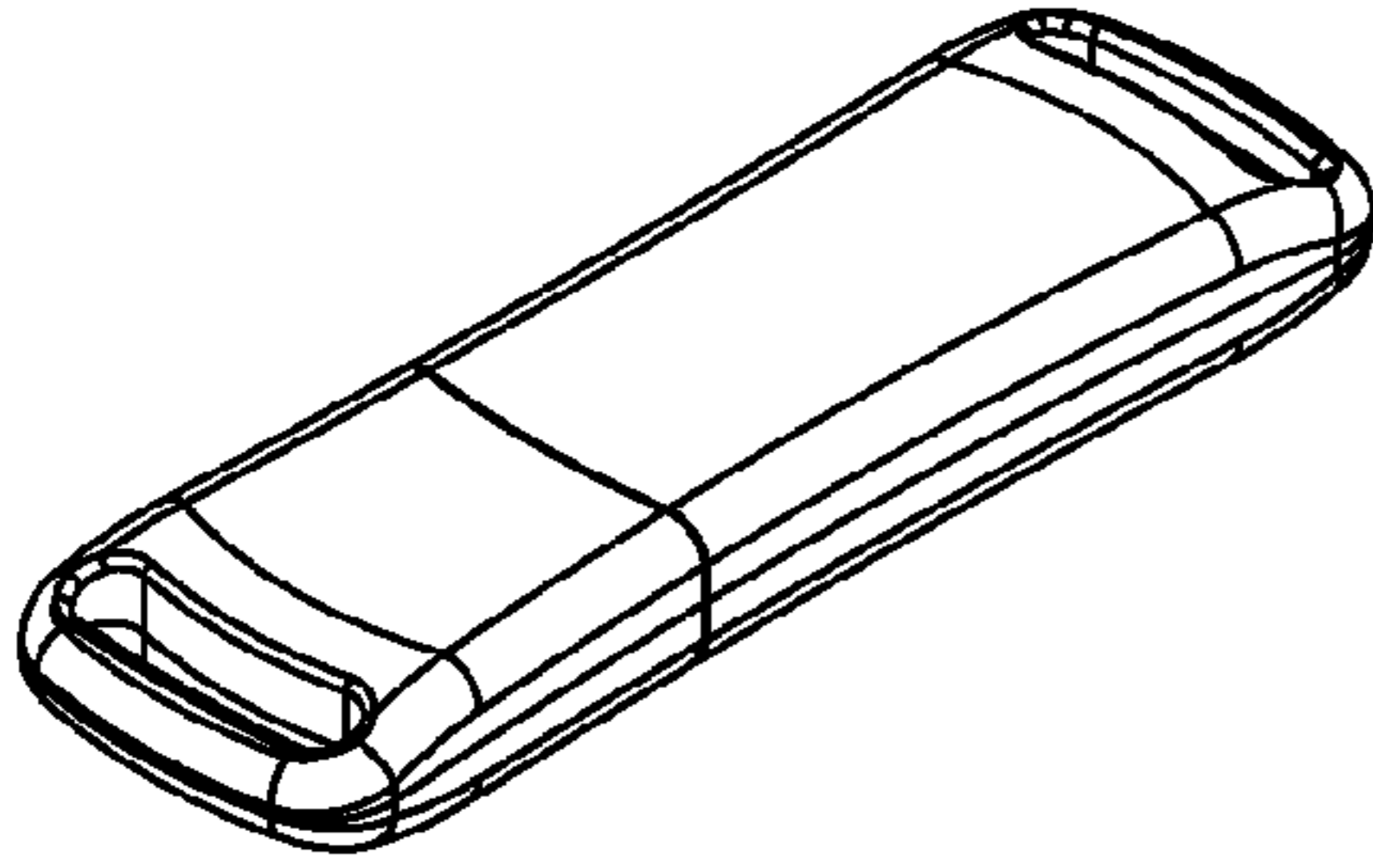


FIG.2

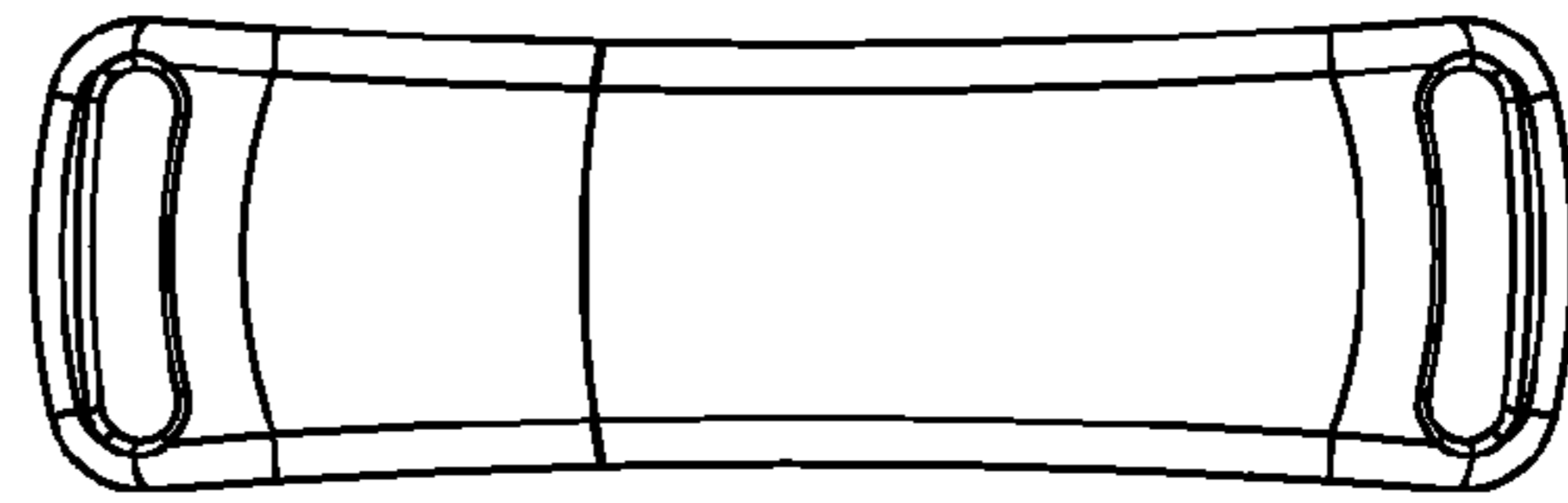


FIG.3



FIG.4

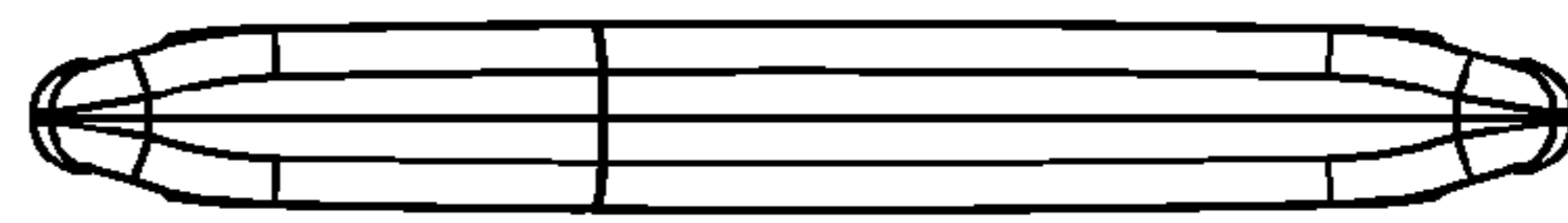


FIG.5

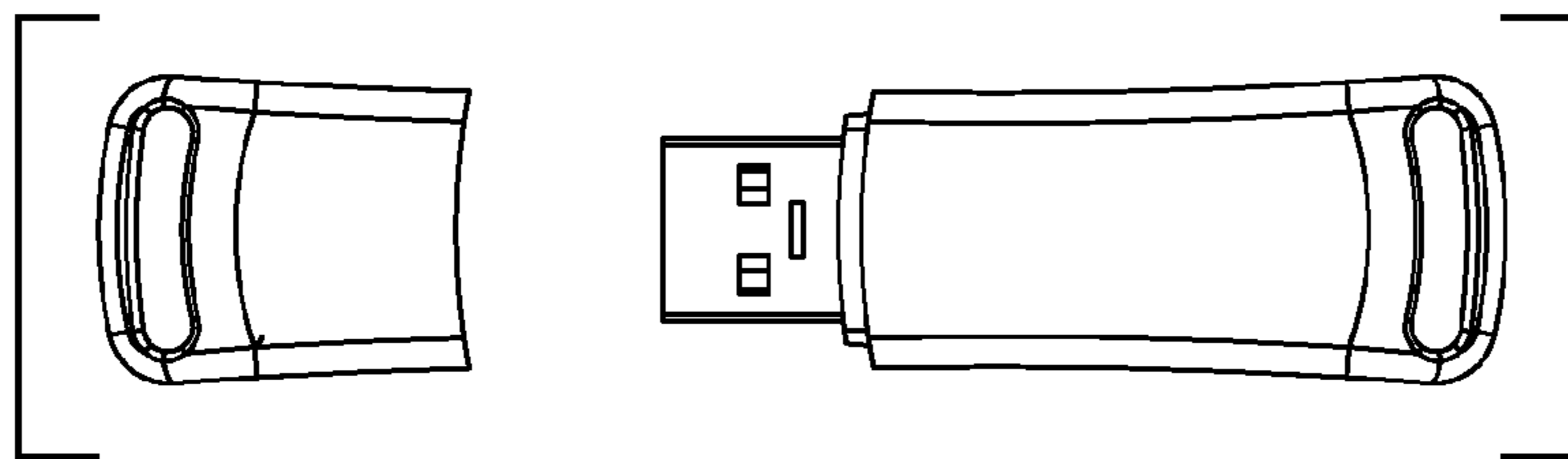


FIG.6

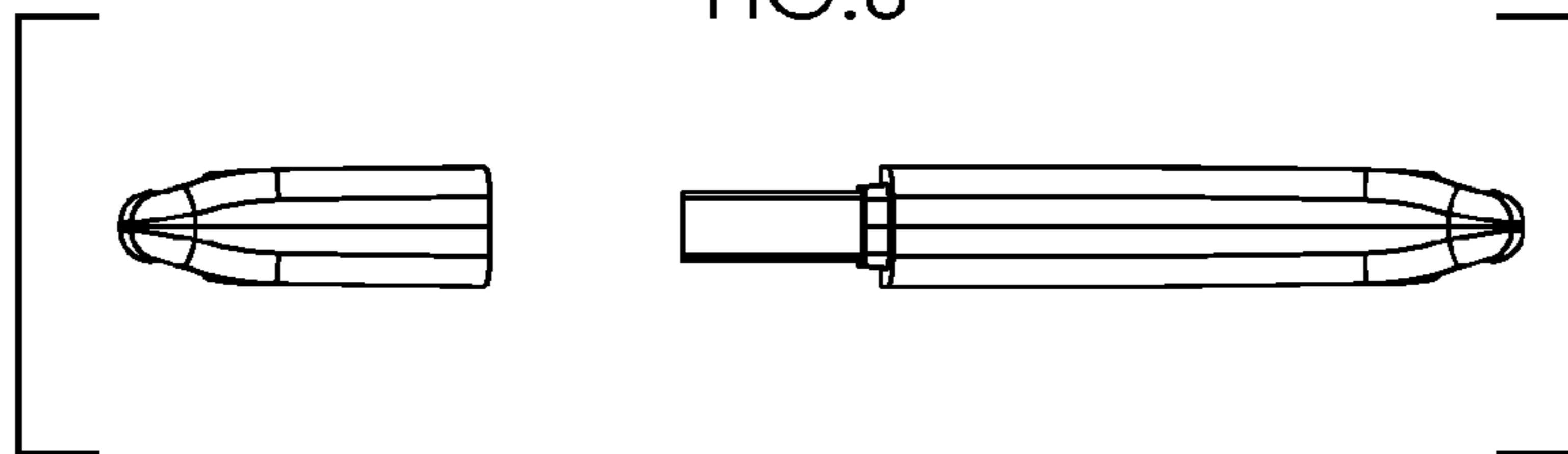


FIG.7

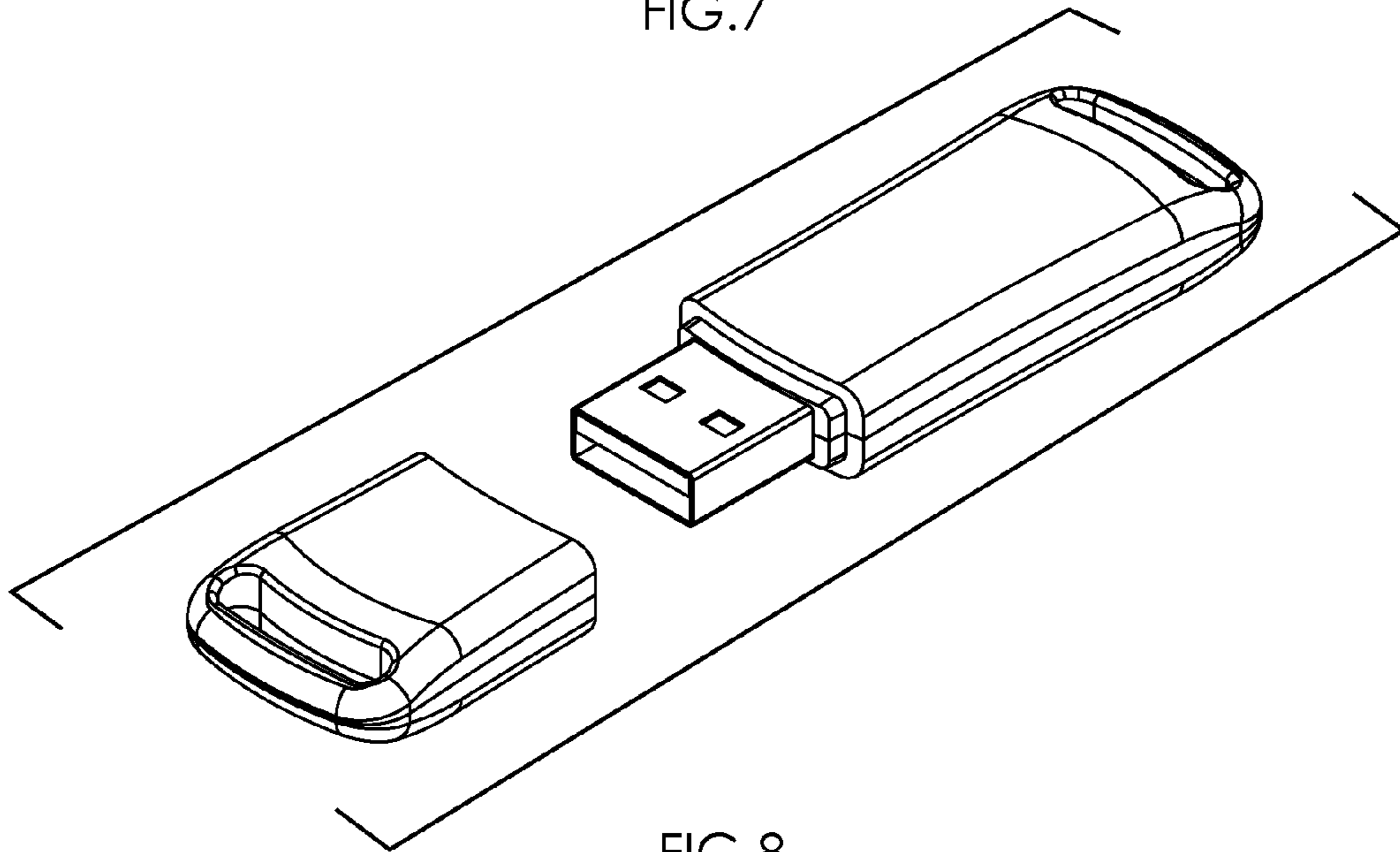


FIG.8

