



US00D660844S

(12) **United States Design Patent**
Kaluza

(10) **Patent No.:** **US D660,844 S**

(45) **Date of Patent:** **** May 29, 2012**

(54) **SUPPORT ARM**

(75) Inventor: **Georg Kaluza**, Velbert (DE)

(73) Assignee: **Erwin Müller GmbH**, Lingen (DE)

(**) Term: **14 Years**

(21) Appl. No.: **29/387,357**

(22) Filed: **Mar. 11, 2011**

(30) **Foreign Application Priority Data**

Sep. 13, 2010 (EM) 001234306-0004

(51) **LOC (9) Cl.** **14-04**

(52) **U.S. Cl.** **D14/452**

(58) **Field of Classification Search** D14/452,
D14/451, 448, 447, 239; D8/349, 363, 373,
D8/380; 248/917-924, 122.1, 124.1, 125.8,
248/371, 393, 157, 425, 176.1, 186.1; 361/679.02,
361/679.04, 679.05, 679.06, 679.07, 679.21,
361/679.22

See application file for complete search history.

(56) **References Cited**

U.S. PATENT DOCUMENTS

D489,599 S * 5/2004 Lam D8/363
D505,858 S * 6/2005 O'Keene D8/355
D543,210 S * 5/2007 Stenhouse et al. D14/452

D558,562 S * 1/2008 Ciungan et al. D8/363
D558,563 S * 1/2008 Ciungan D8/363
D559,087 S * 1/2008 Ciungan D8/363
D577,730 S * 9/2008 Rutten D14/452
D581,916 S * 12/2008 Sculler et al. D14/239
D623,654 S * 9/2010 Hau et al. D14/452
D640,672 S * 6/2011 Molter et al. D14/239
D643,835 S * 8/2011 Molter et al. D14/239
2008/0029669 A1 * 2/2008 Olah et al. 248/276.1
2008/0192418 A1 * 8/2008 Zambelli et al. 361/681

* cited by examiner

Primary Examiner — Angela J Lee

(74) *Attorney, Agent, or Firm* — Gudrun E. Hockett

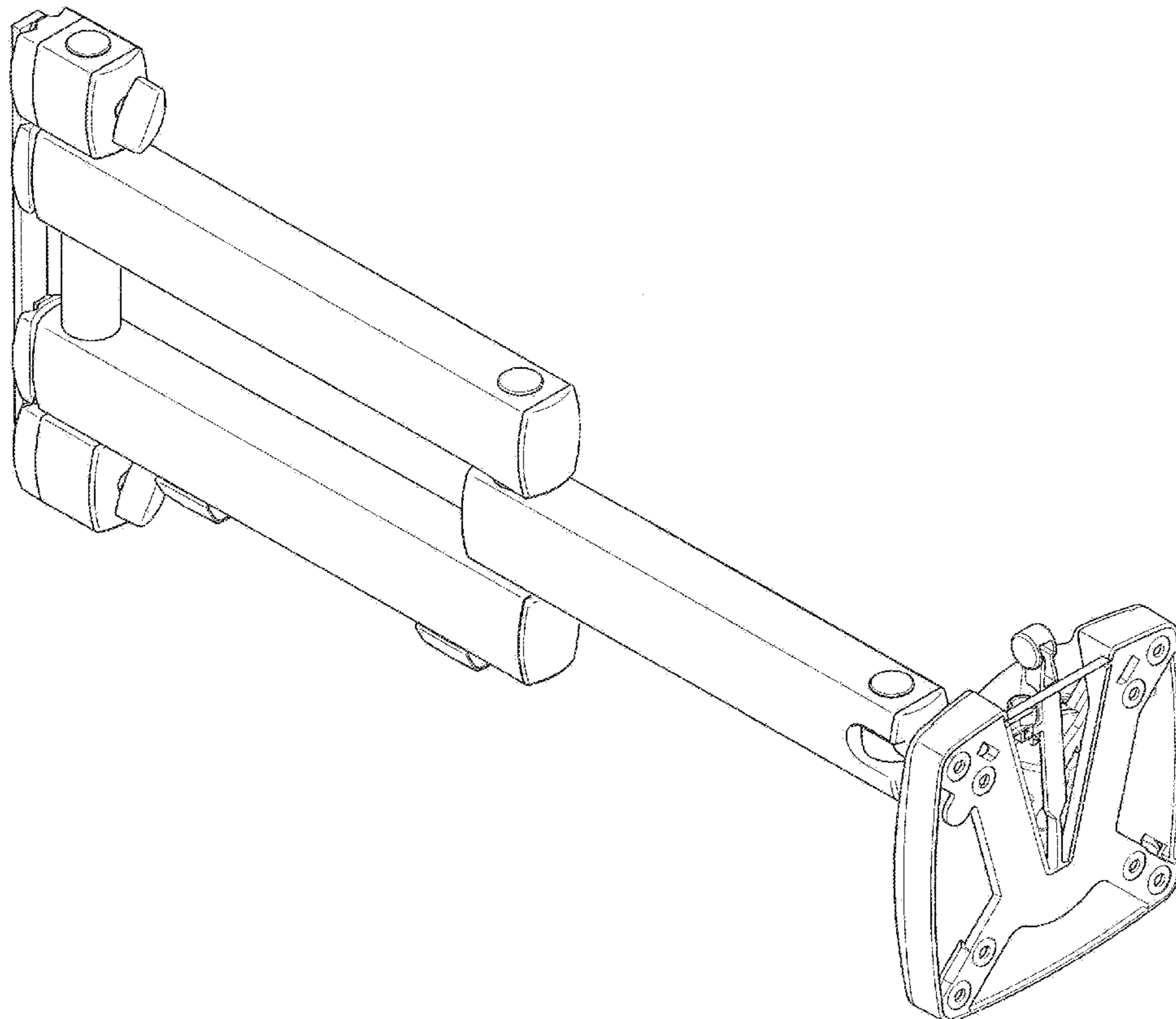
(57) **CLAIM**

The ornamental design for a support arm, as shown and described.

DESCRIPTION

FIG. 1 is a perspective view of my support arm;
FIG. 2 is a front view of my support arm;
FIG. 3 is a first side view of my support arm;
FIG. 4 is a second side view of my support arm;
FIG. 5 is a top view of my support arm;
FIG. 6 is a bottom view of my support arm; and,
FIG. 7 is a rear view of my support arm.
The portions of the support arm shown in broken lines form no part of the claimed design.

1 Claim, 7 Drawing Sheets



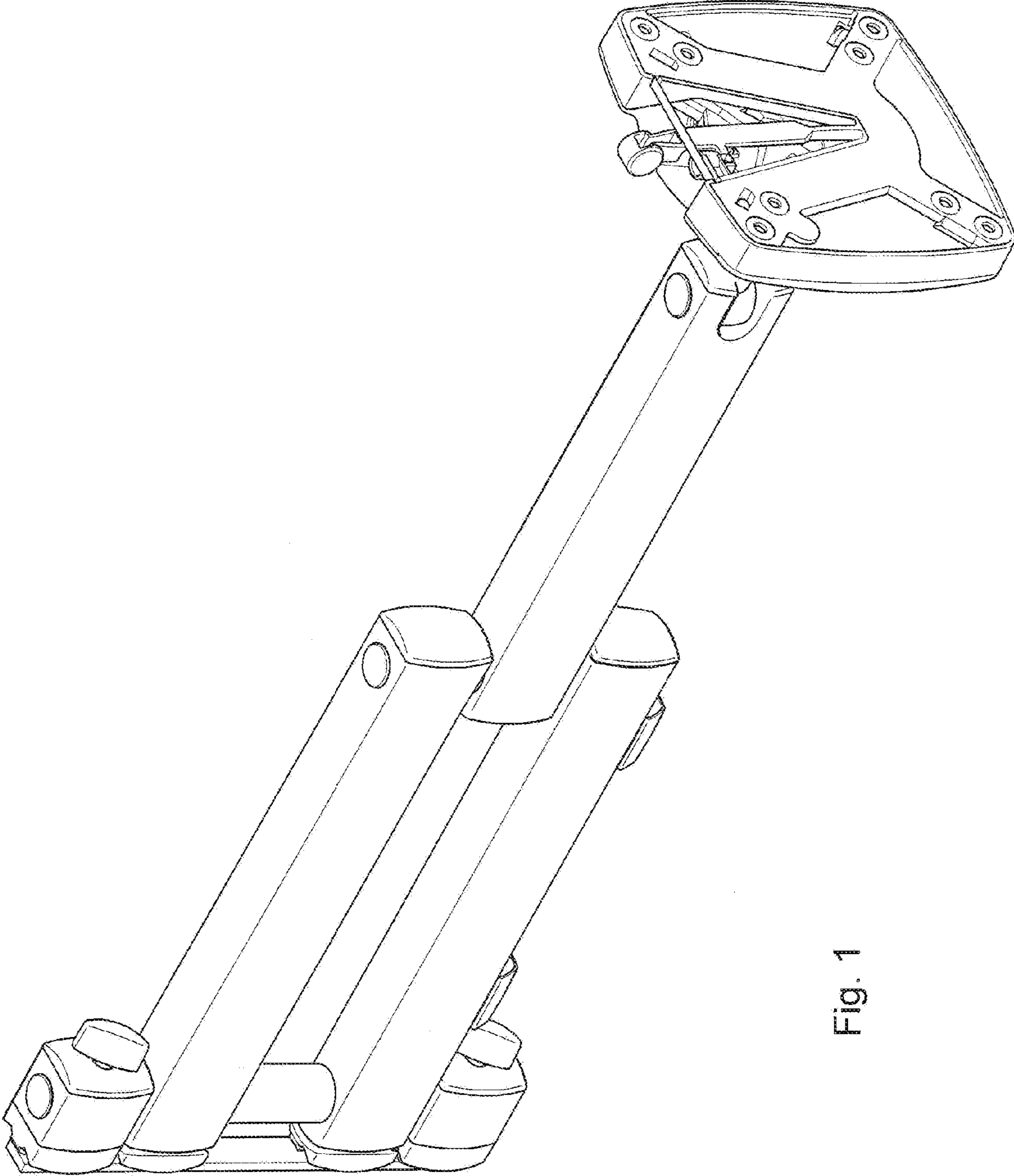


Fig. 1

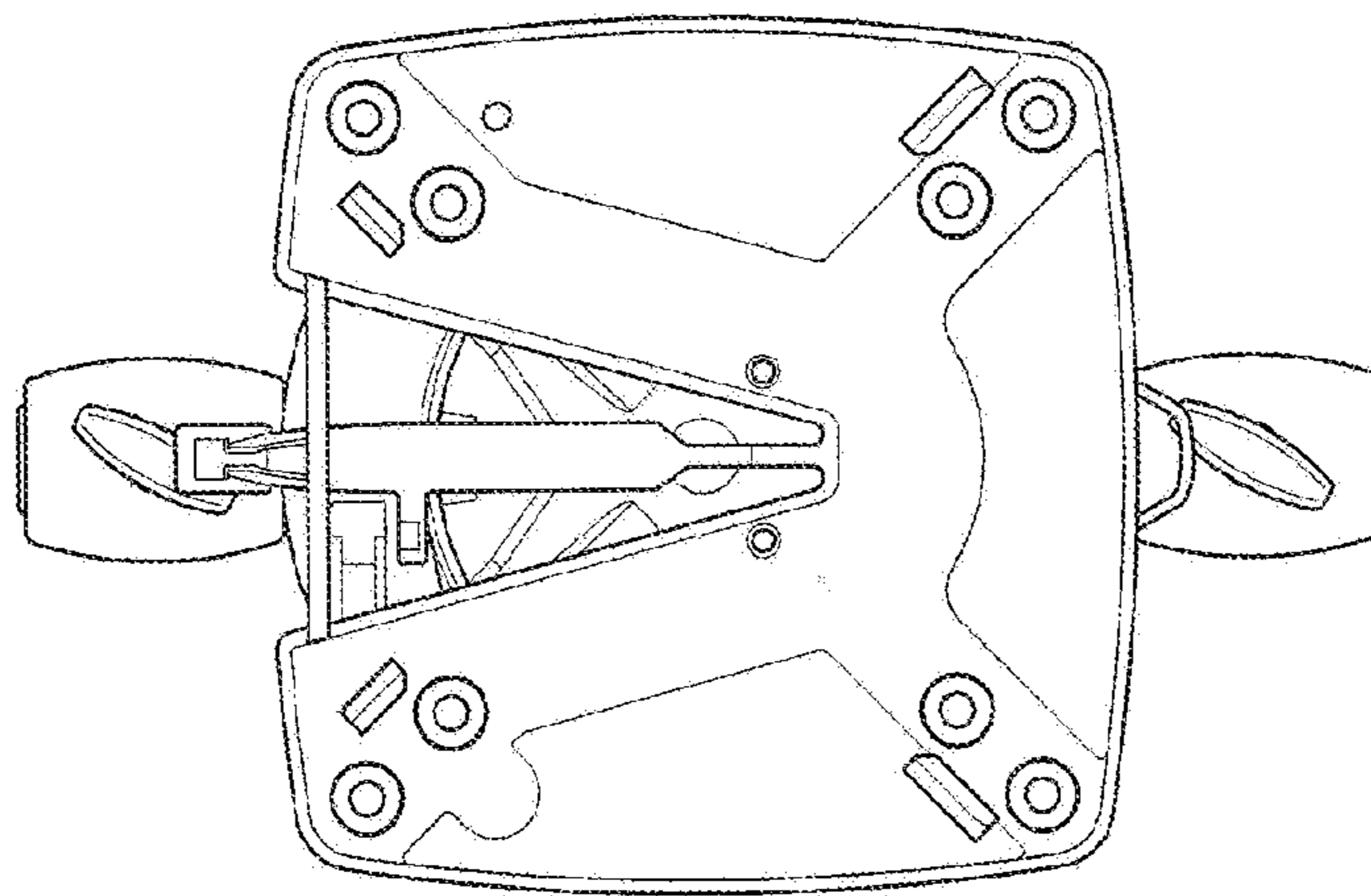


Fig. 2

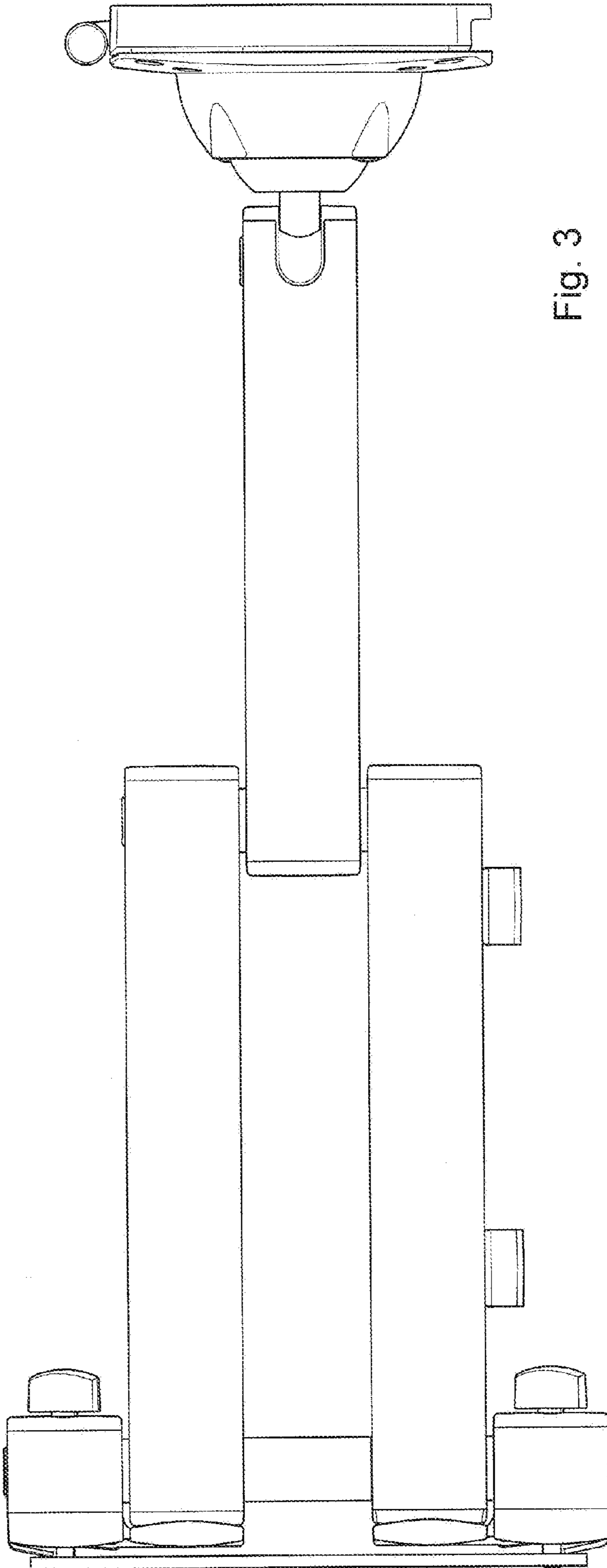


Fig. 3

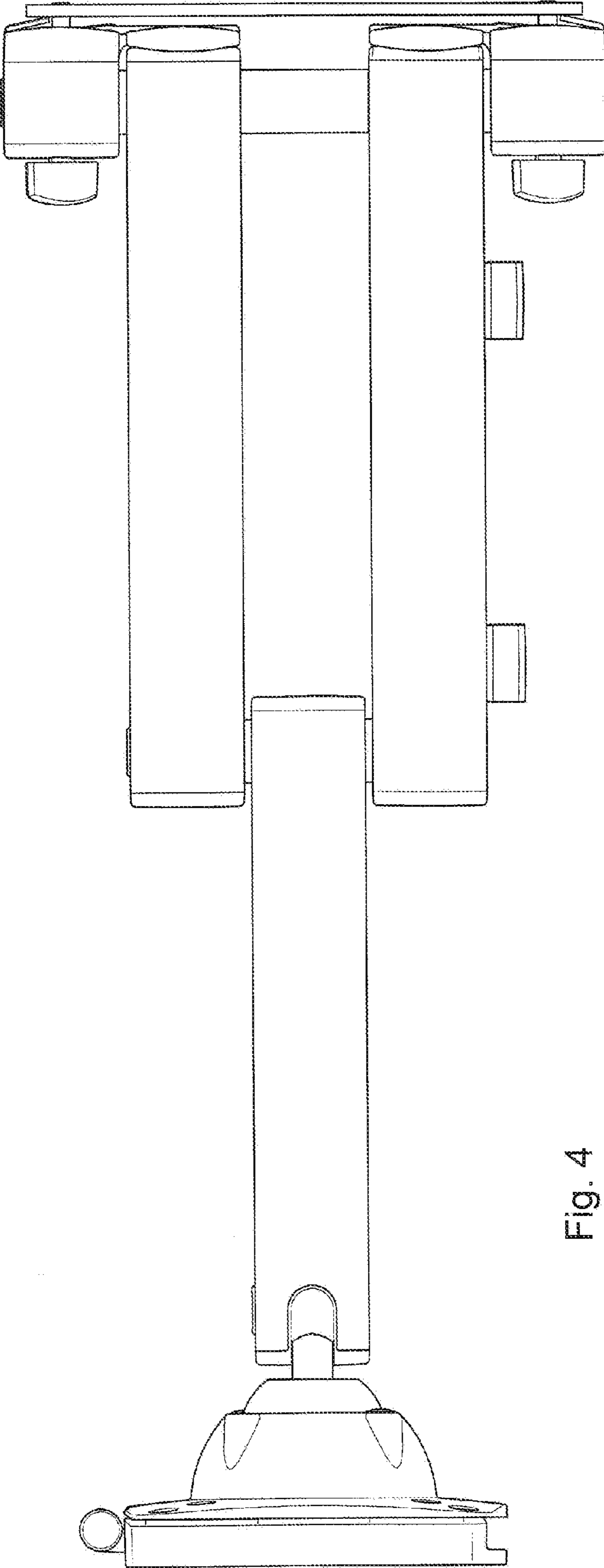


Fig. 4

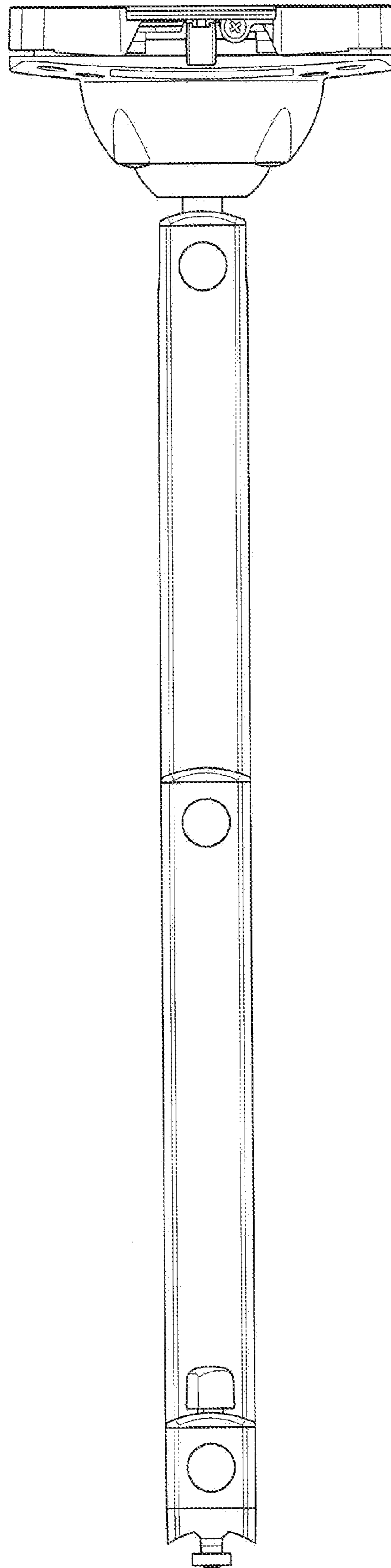


Fig. 5

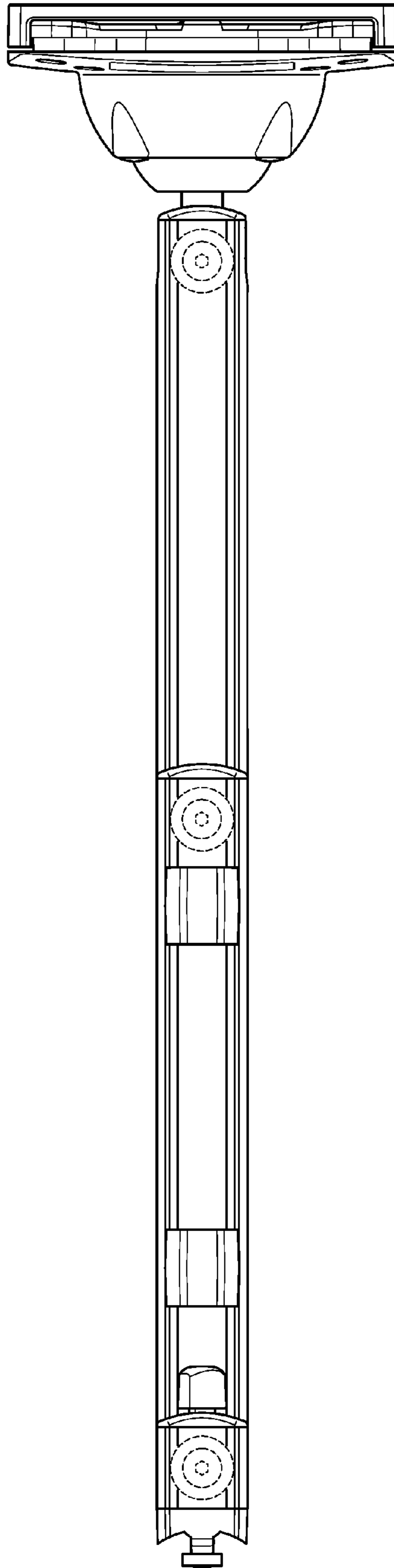


Fig. 6

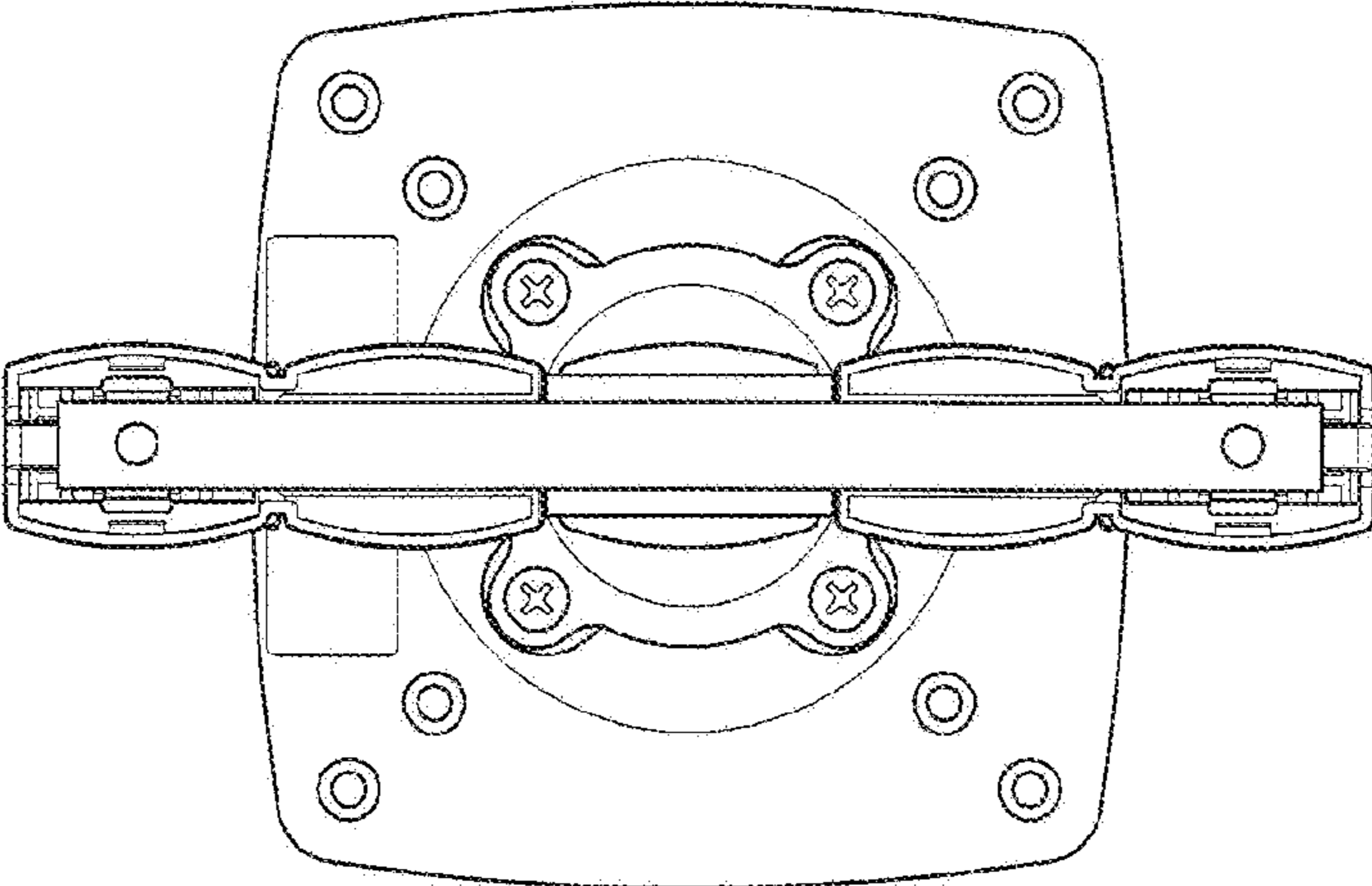


Fig. 7