

US00D660842S

(12) **United States Design Patent**  
**Kaluza**

(10) **Patent No.:** **US D660,842 S**

(45) **Date of Patent:** **\*\* May 29, 2012**

(54) **SUPPORT ARM**

(75) Inventor: **Georg Kaluza**, Velbert (DE)

(73) Assignee: **Erwin Müller GmbH**, Lingen (DE)

(\*\*) Term: **14 Years**

(21) Appl. No.: **29/387,347**

(22) Filed: **Mar. 11, 2011**

(30) **Foreign Application Priority Data**

Sep. 13, 2010 (EM) ..... 001234306-0002

(51) **LOC (9) Cl.** ..... **14-04**

(52) **U.S. Cl.** ..... **D14/452**

(58) **Field of Classification Search** ..... D14/452,  
D14/451, 448, 447, 239; D8/349, 363, 373,  
D8/380; 248/917-924, 122.1, 124.1, 125.8,  
248/371, 393, 157, 425, 176.1, 186.1; 361/679.02,  
361/679.04, 679.05, 679.06, 679.07, 679.21,  
361/679.22

See application file for complete search history.

(56) **References Cited**

**U.S. PATENT DOCUMENTS**

D488,708 S \* 4/2004 Lam et al. .... D8/363  
D496,367 S \* 9/2004 Pfister ..... D14/451  
D534,789 S \* 1/2007 Worrall et al. .... D8/363

D562,113 S \* 2/2008 Ciungan et al. .... D8/363  
7,404,535 B2 \* 7/2008 Mossman et al. .... 248/323  
D580,421 S \* 11/2008 Sculler et al. .... D14/239  
D581,916 S \* 12/2008 Sculler et al. .... D14/239  
7,857,270 B2 \* 12/2010 Short et al. .... 248/284.1  
D631,038 S \* 1/2011 Molter et al. .... D14/239  
D633,484 S \* 3/2011 Molter et al. .... D14/239  
D634,607 S \* 3/2011 Molter et al. .... D8/363  
D636,765 S \* 4/2011 Molter et al. .... D14/239  
2008/0192418 A1 \* 8/2008 Zambelli et al. .... 361/681

\* cited by examiner

*Primary Examiner* — Angela J Lee

(74) *Attorney, Agent, or Firm* — Gudrun E. Hockett

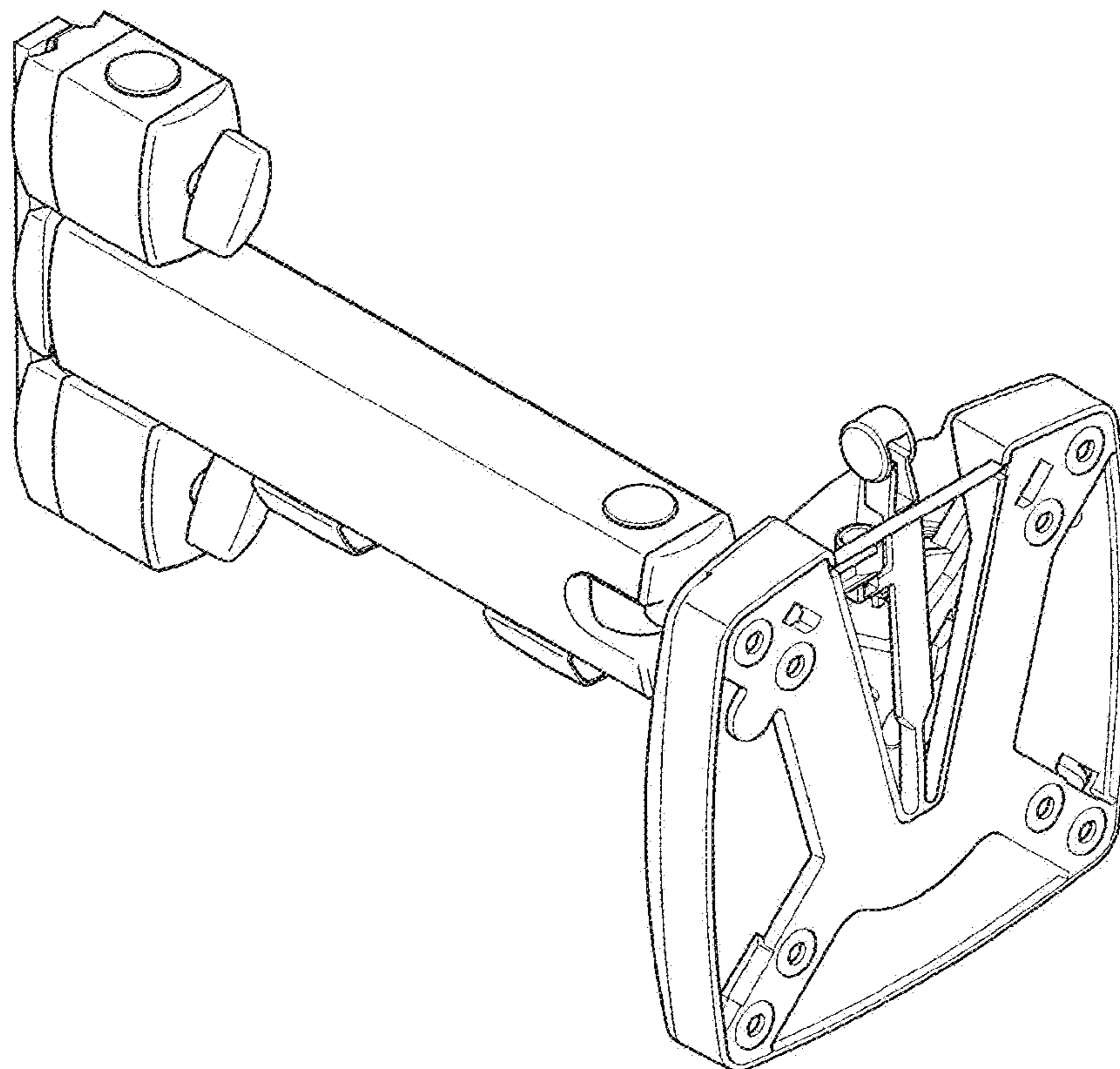
(57) **CLAIM**

The ornamental design for a support arm, as shown and described.

**DESCRIPTION**

FIG. 1 is a perspective view of my support arm;  
FIG. 2 is a front view of my support arm;  
FIG. 3 is a first side view of my support arm;  
FIG. 4 is a second side view of my support arm;  
FIG. 5 is a top view of my support arm;  
FIG. 6 is a bottom view of my support arm; and,  
FIG. 7 is a rear view of my support arm.  
The portions of the support arm shown in broken lines form no part of the claimed design.

**1 Claim, 7 Drawing Sheets**



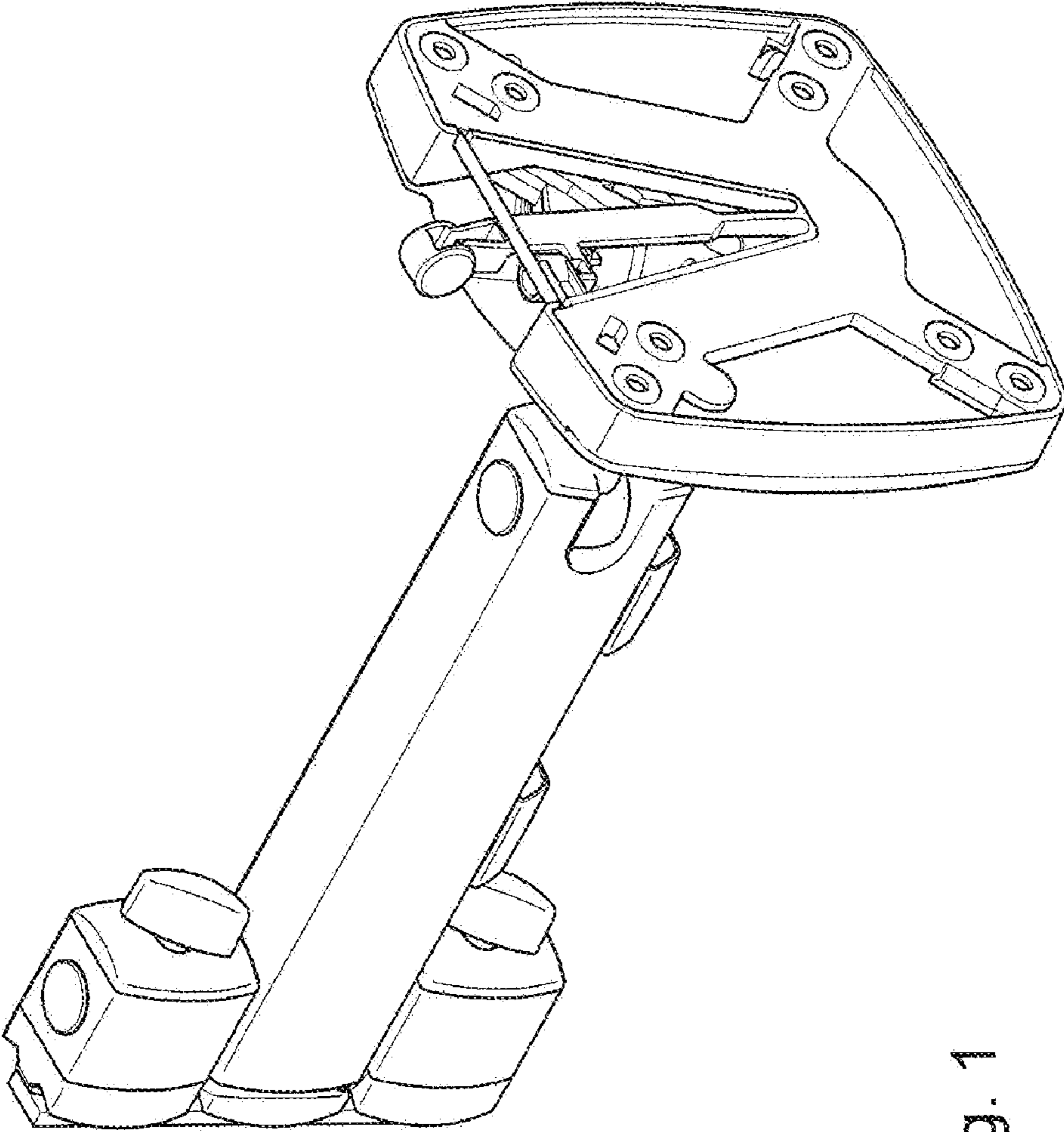


Fig. 1

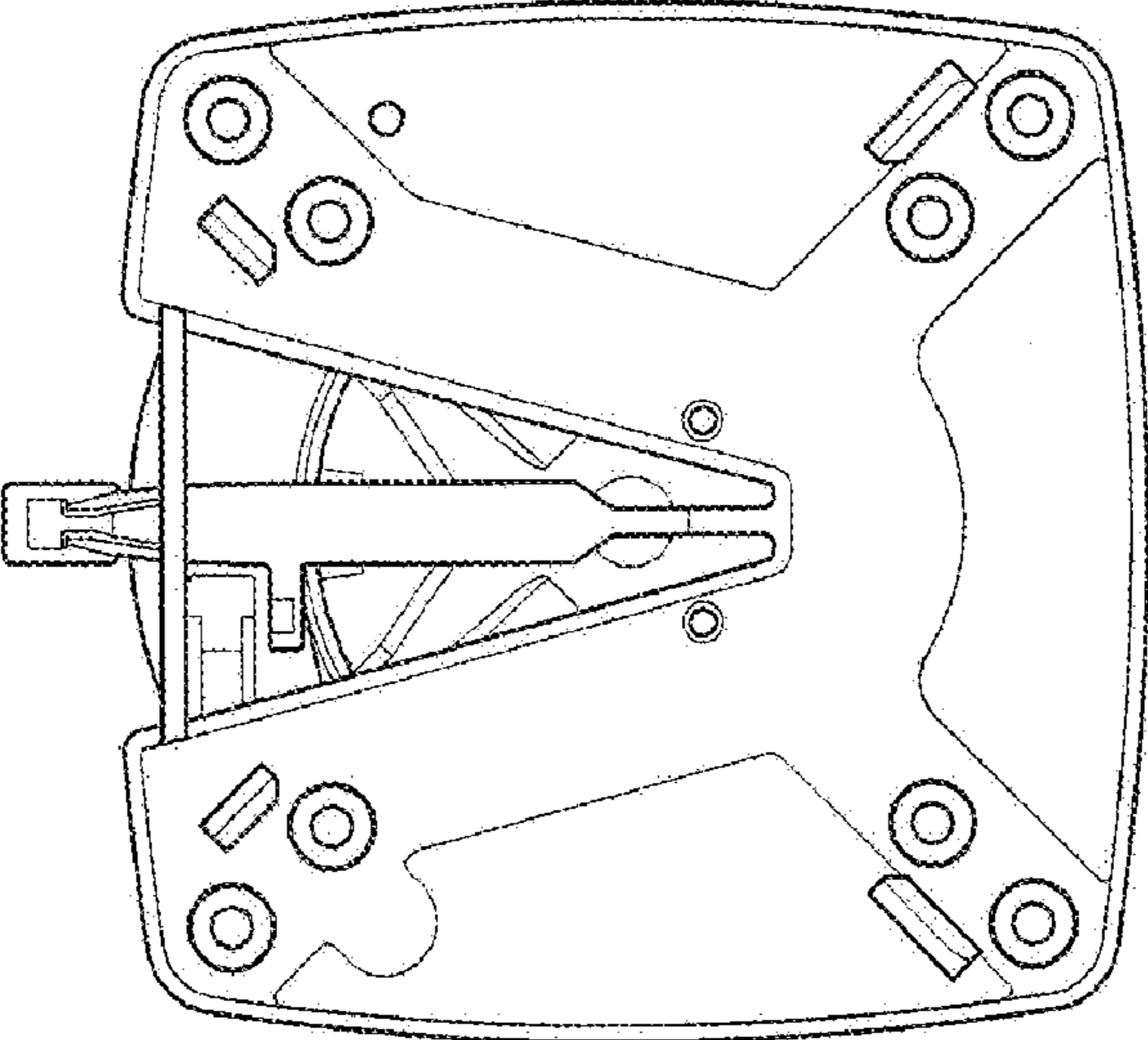


Fig. 2

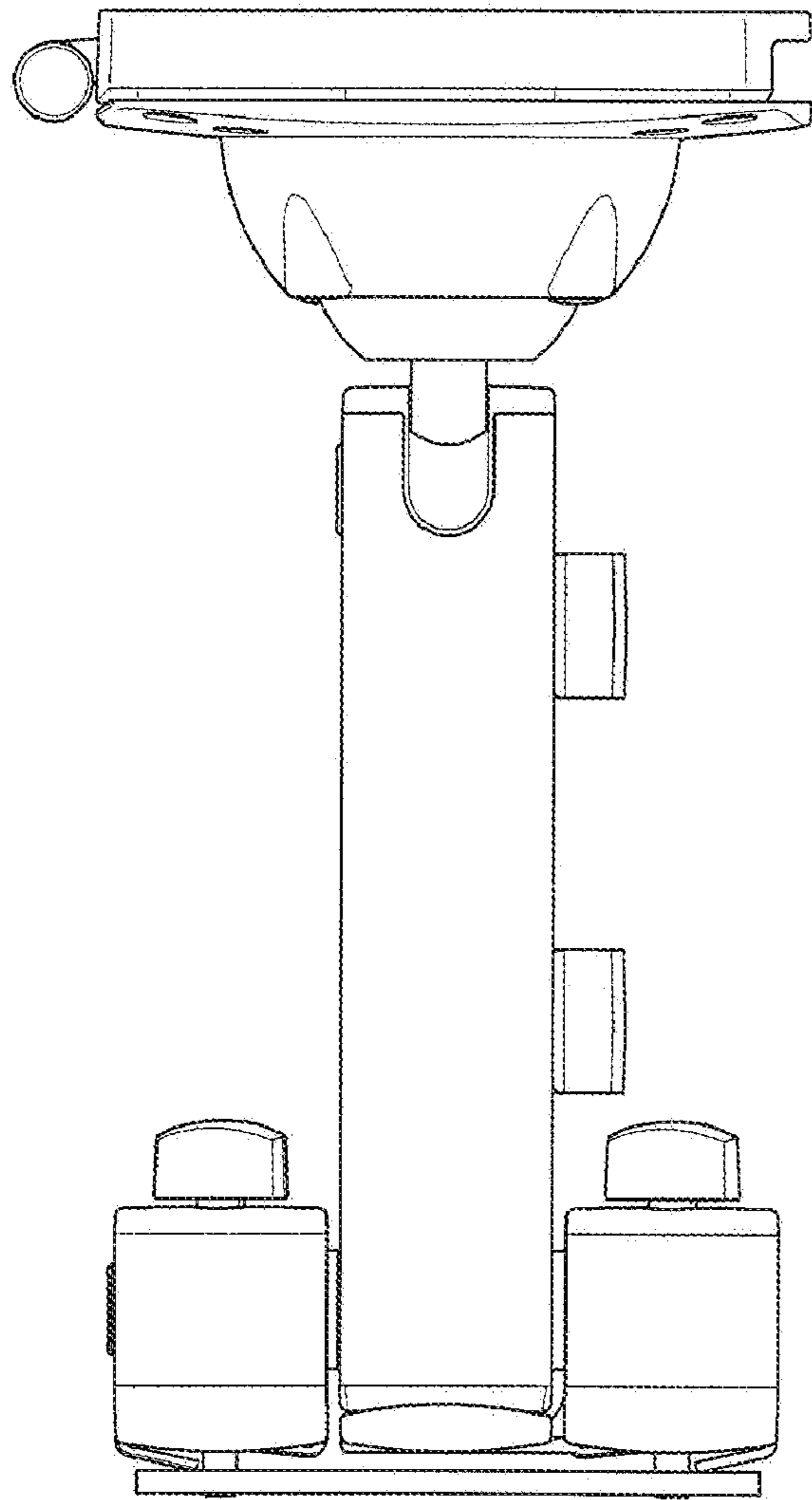


Fig. 3

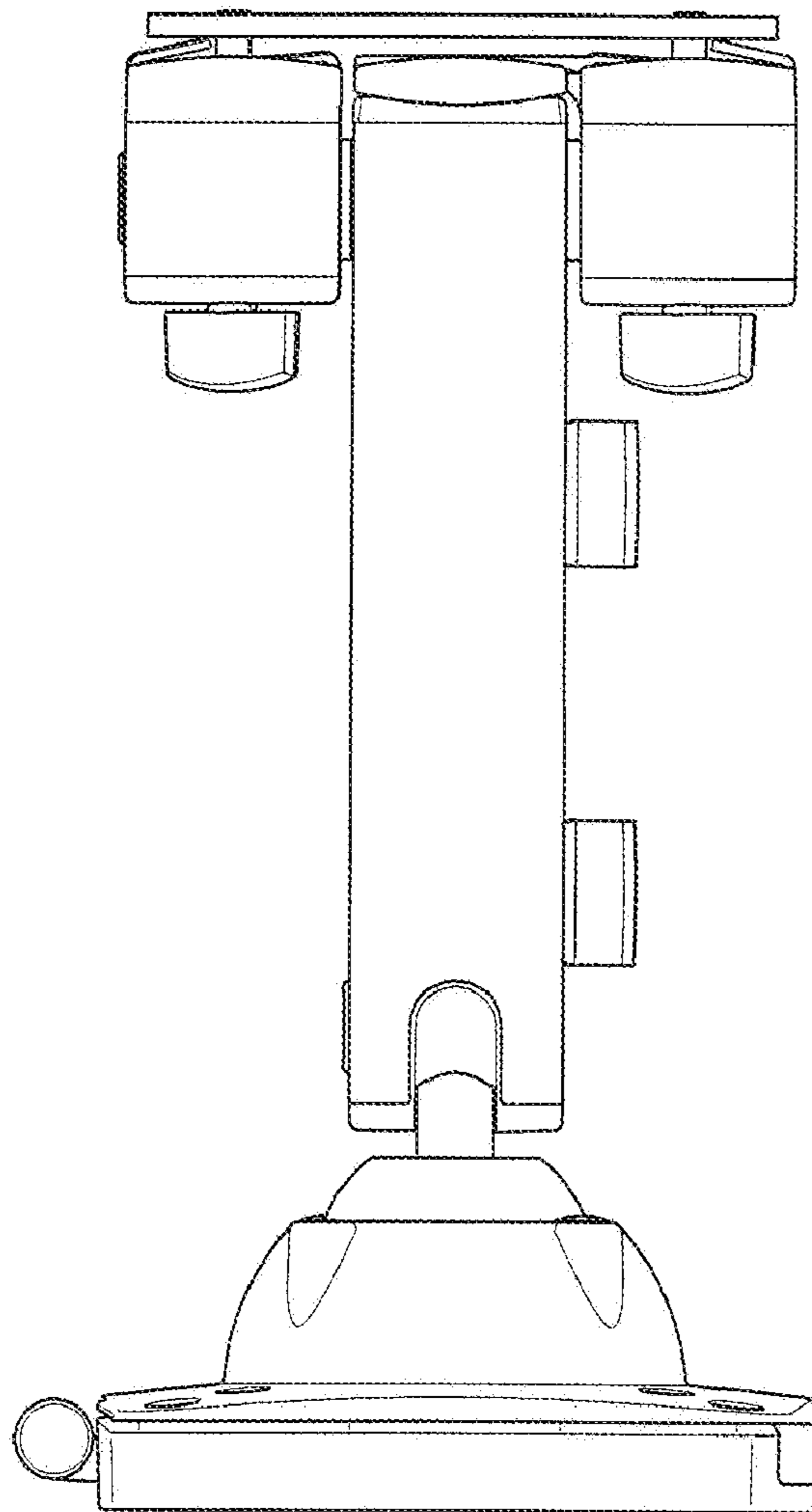


Fig. 4

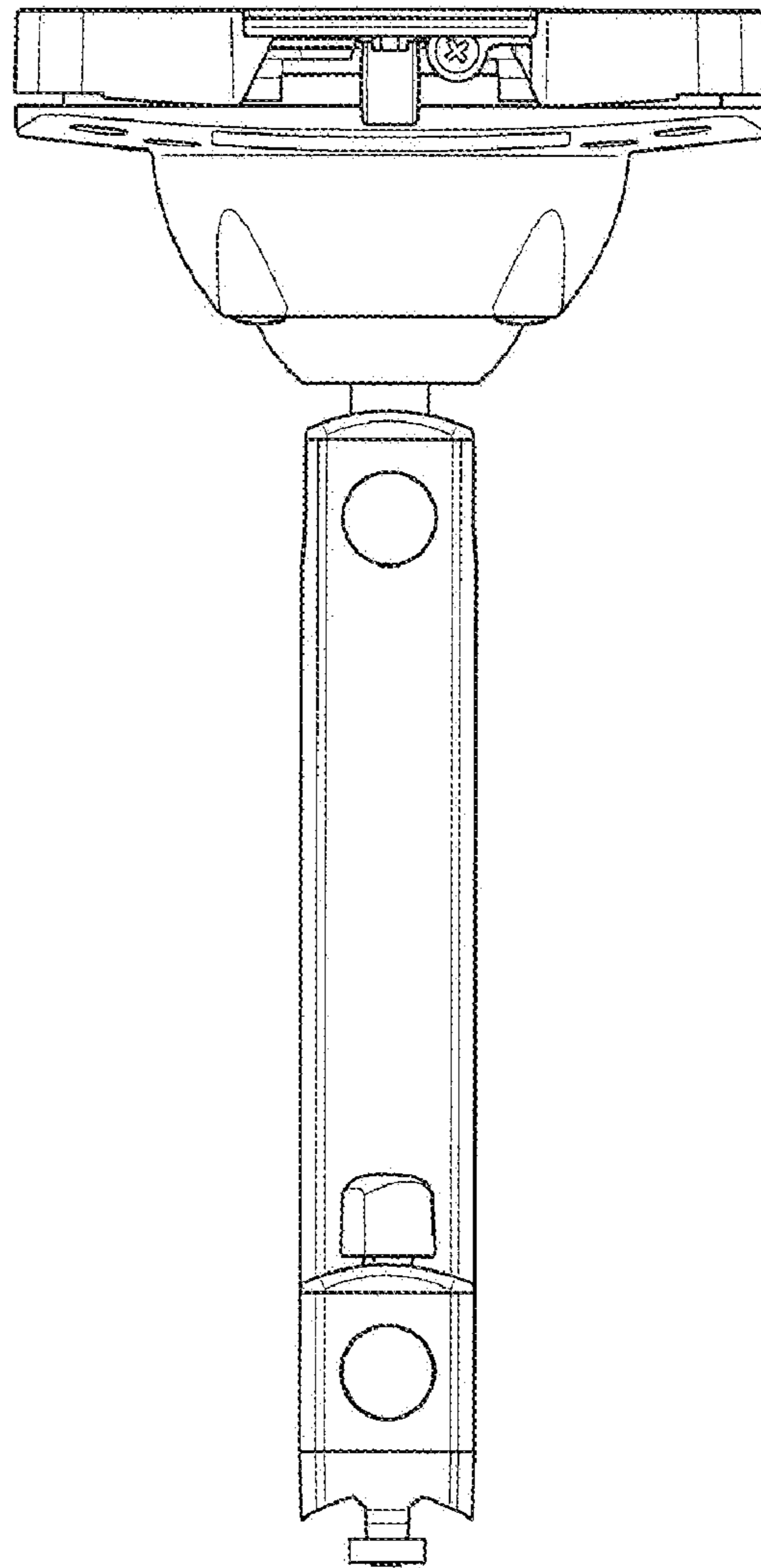


Fig. 5

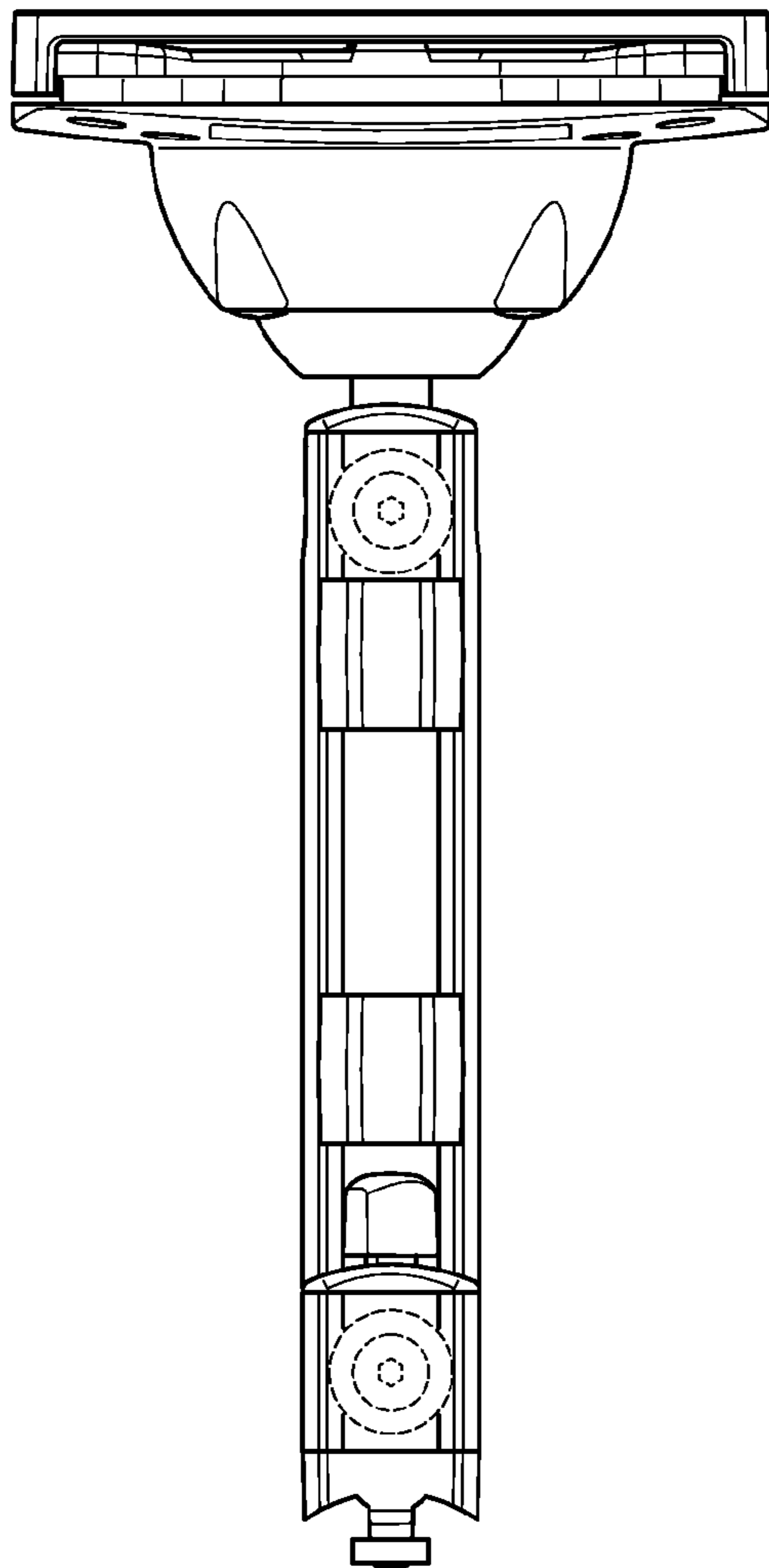


Fig. 6

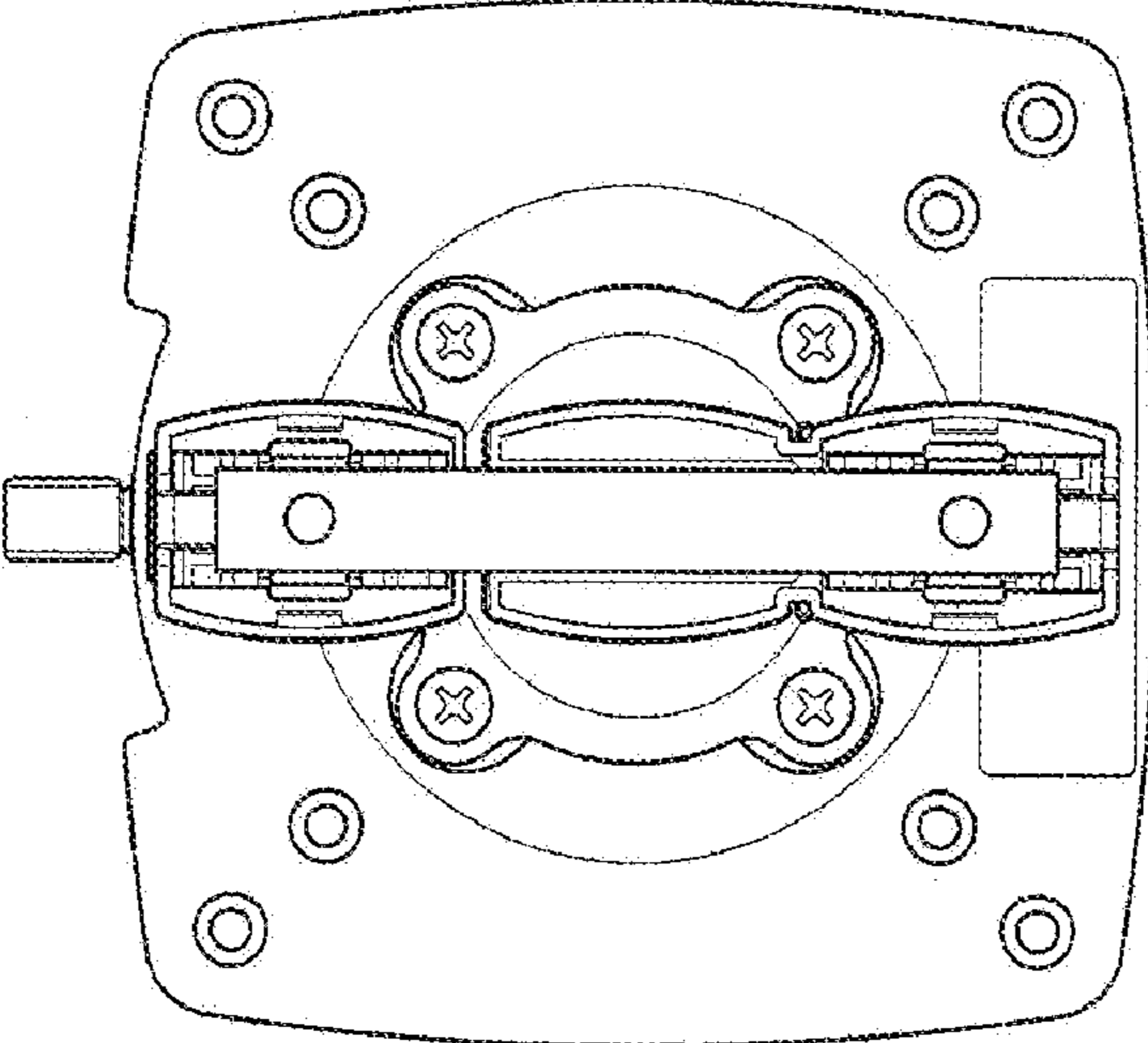


Fig. 7