



US00D660841S

(12) **United States Design Patent**
Alfonso et al.

(10) **Patent No.:** **US D660,841 S**

(45) **Date of Patent:** **** May 29, 2012**

(54) **STORAGE DEVICE HOUSING**

(75) Inventors: **Pedro Alfonso**, Austin, TX (US); **Robert Moser**, Farmington Hills, MI (US); **Yinggang Du**, Austin, TX (US)

(73) Assignee: **Dell Products L.P.**, Round Rock, TX (US)

(**) Term: **14 Years**

(21) Appl. No.: **29/399,454**

(22) Filed: **Aug. 15, 2011**

(51) **LOC (9) Cl.** **14-02**

(52) **U.S. Cl.** **D14/444**

(58) **Field of Classification Search** D14/441-446,
D14/356, 313, 360-368; D13/162, 184,
D13/199; 312/223.2; 361/679.22, 679.31-679.39;
369/34.01, 36.01

See application file for complete search history.

(56) **References Cited**

U.S. PATENT DOCUMENTS

D358,141 S 5/1995 Pecone et al.
7,420,800 B1 * 9/2008 Knapp et al. 361/679.55
D588,137 S * 3/2009 Lawrence et al. D14/444
D593,101 S * 5/2009 Alfonso et al. D14/444

D593,102 S * 5/2009 Dearborn et al. D14/445
D593,563 S * 6/2009 Alfonso et al. D14/444
D593,565 S * 6/2009 Dearborn et al. D14/445
D625,720 S 10/2010 Kang
D629,399 S 12/2010 Camarena et al.

* cited by examiner

Primary Examiner — Freda S Nunn

(74) *Attorney, Agent, or Firm* — Hamilton & Terrile, LLP;
Robert W. Holland

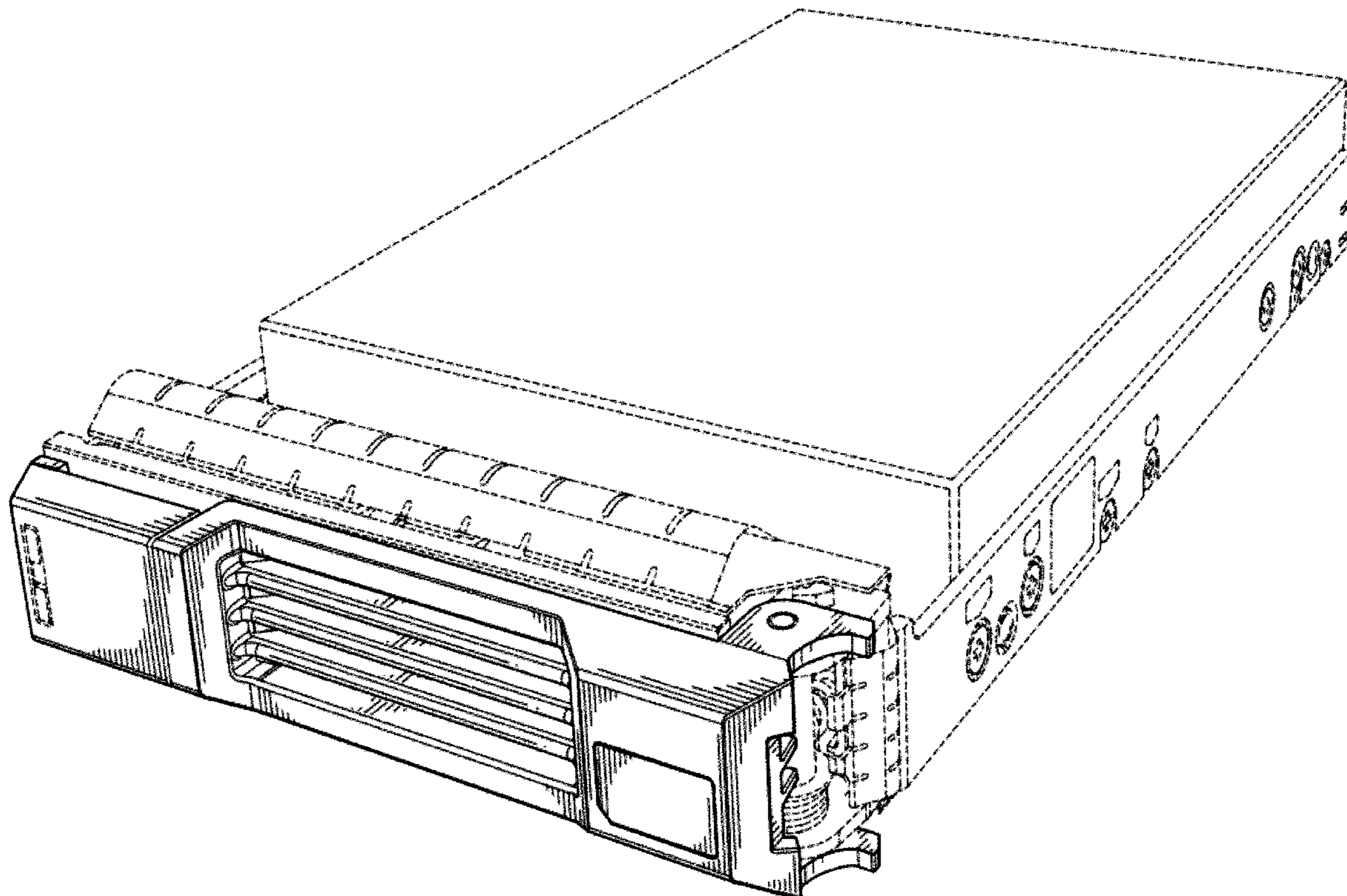
(57) **CLAIM**

We claim the ornamental design for the storage device housing, as shown and described.

DESCRIPTION

FIG. 1 is a front right perspective view of the storage device housing comprising the present invention;
FIG. 2 is a front view thereof;
FIG. 3 is a right side view thereof;
FIG. 4 is a left side view thereof;
FIG. 5 is a rear view thereof;
FIG. 6 is a top view thereof; and,
FIG. 7 is a bottom view thereof.
Broken lines shown in the drawings illustrate portions of the storage device housing, and form no part of the claimed design.

1 Claim, 5 Drawing Sheets



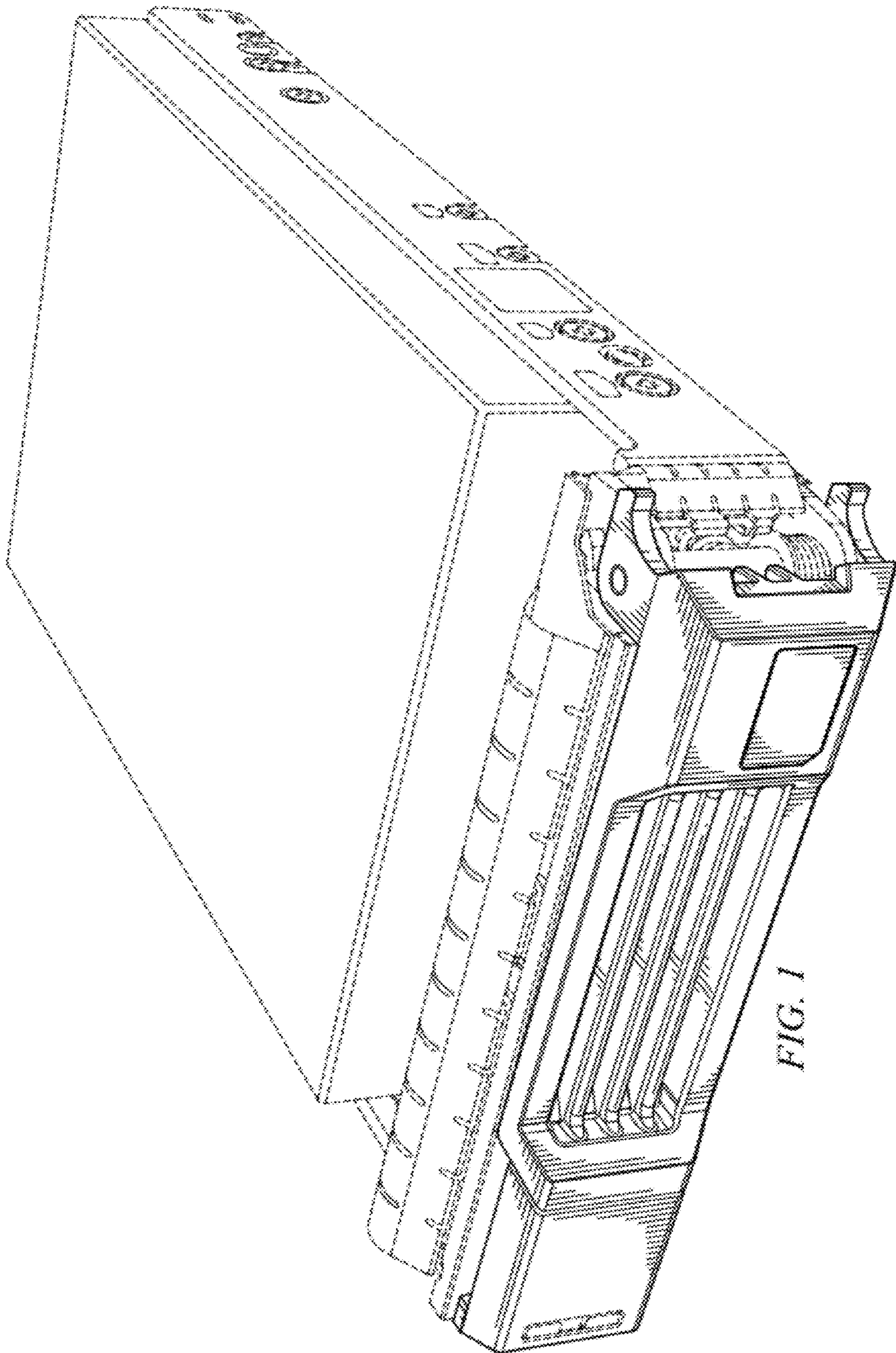


FIG. 1

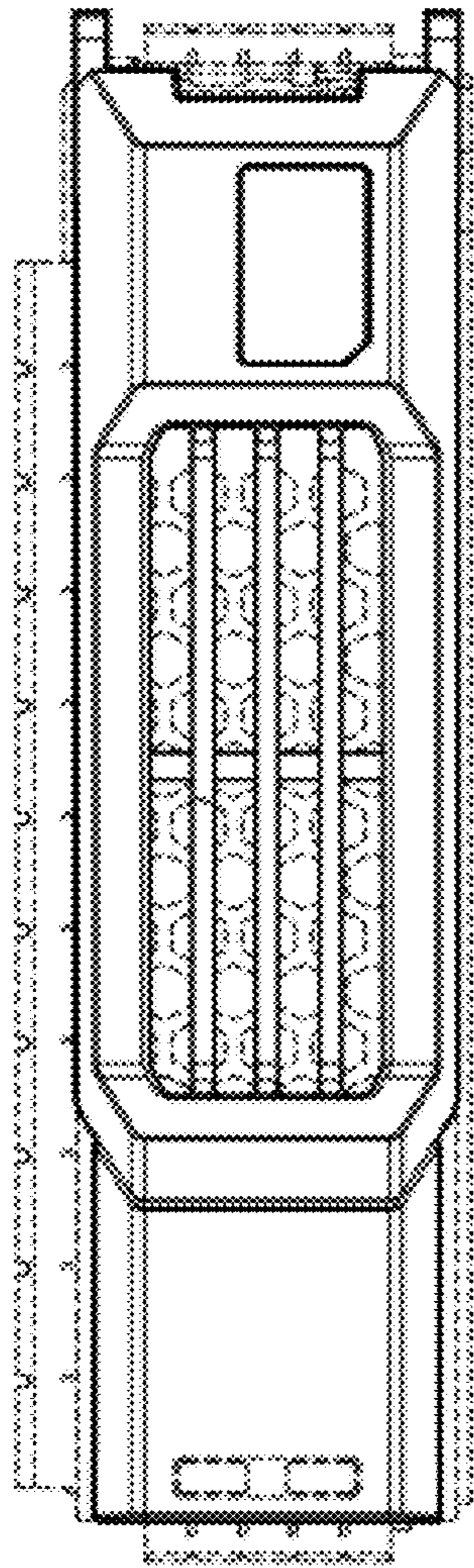


FIG. 2

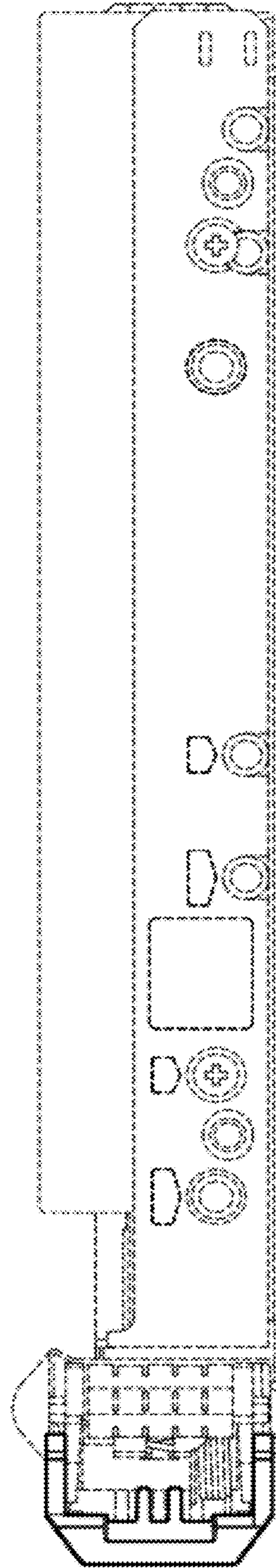


FIG. 3

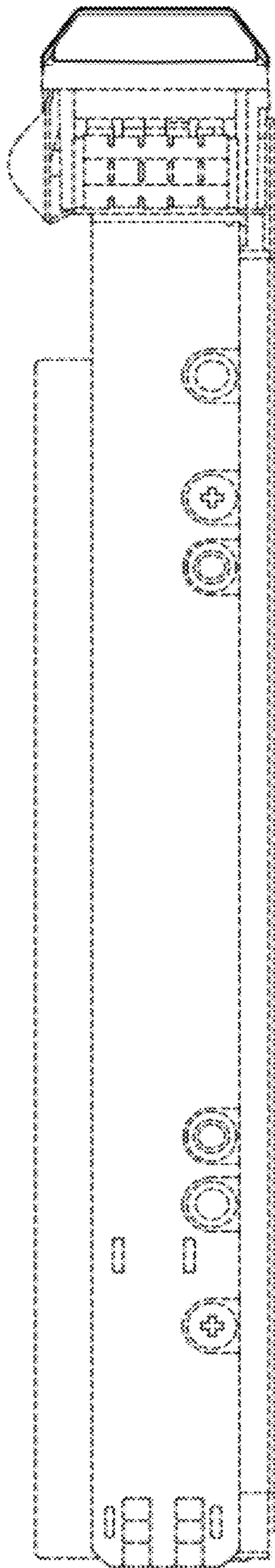


FIG. 4

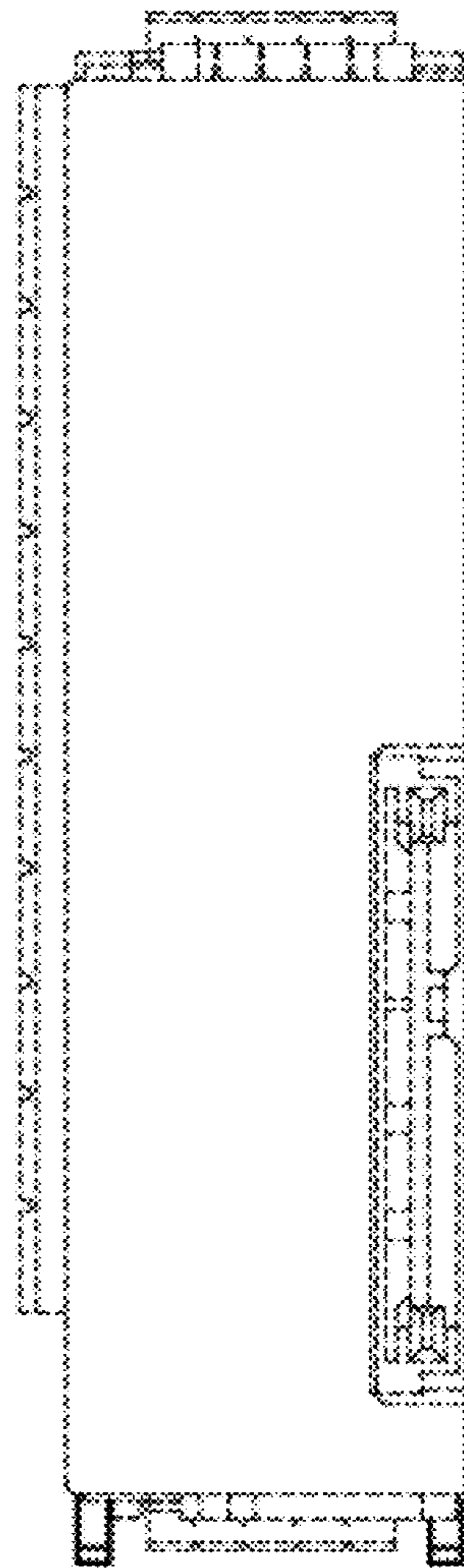


FIG. 5

FIG. 6

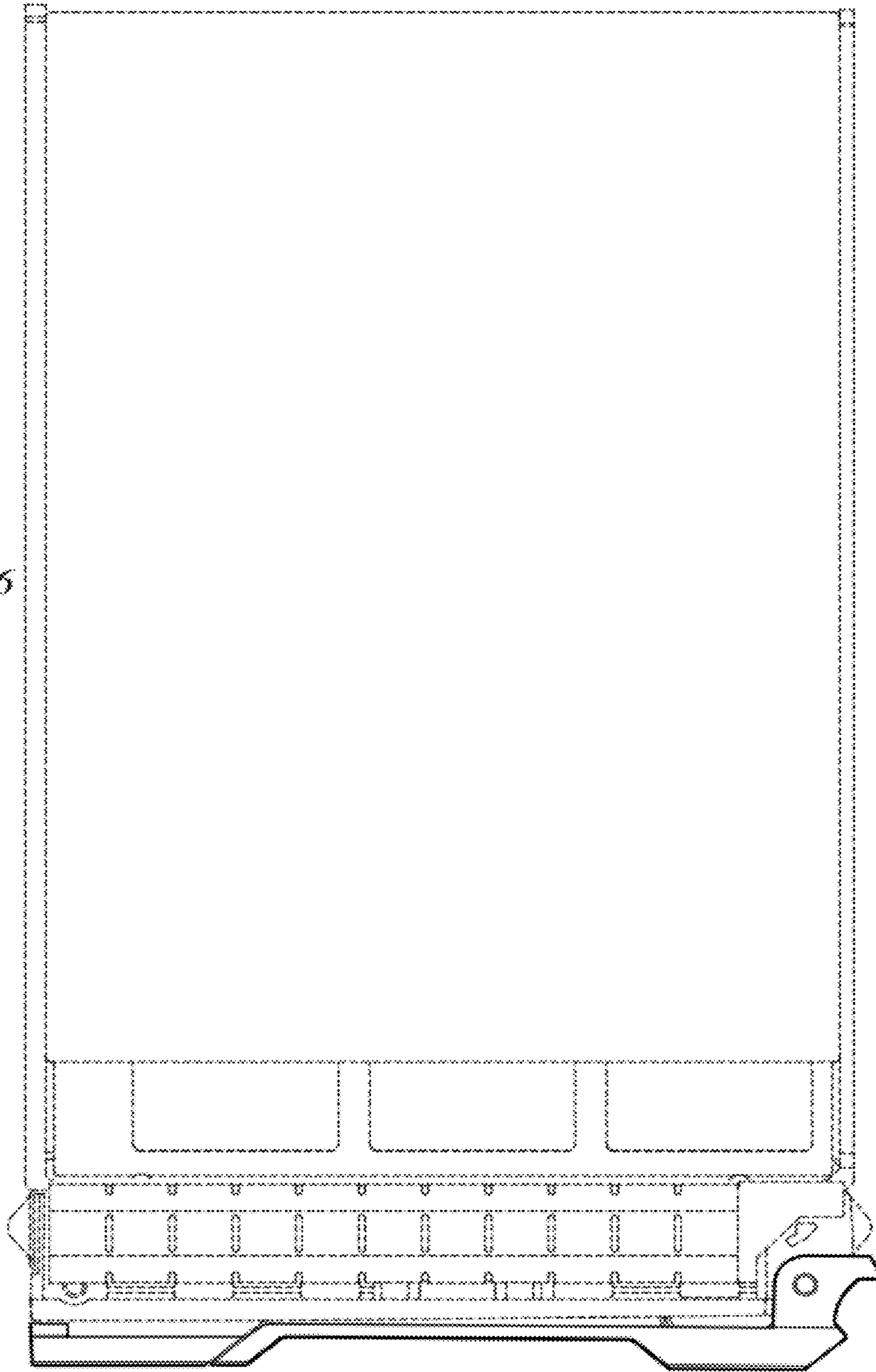


FIG. 7

