



US00D660840S

(12) **United States Design Patent**
Chen

(10) **Patent No.:** **US D660,840 S**

(45) **Date of Patent:** **** May 29, 2012**

(54) **VEHICLE MOUNTED DOCKING STATION FOR ELECTRONIC DEVICE**

(76) Inventor: **Kuo Hsiung Chen, Hong Kong (CN)**

(**) Term: **14 Years**

(21) Appl. No.: **29/382,687**

(22) Filed: **Feb. 28, 2011**

(51) **LOC (9) Cl.** **14-02**

(52) **U.S. Cl.** **D14/434**

(58) **Field of Classification Search** D14/432-434,
D14/314, 204, 420, 421, 447, 217, 358, 371,
D14/374, 375; D13/107, 108, 146; D8/373;
248/346.03, 176.1; 361/679.41, 679.31,
361/679.32, 679.4, 679.43, 679.55; 320/109,
320/112-115

See application file for complete search history.

(56) **References Cited**

U.S. PATENT DOCUMENTS

D331,573	S	*	12/1992	Iino	D14/434
6,049,450	A	*	4/2000	Cho et al.	361/679.27
D450,707	S	*	11/2001	Francavilla et al.	D14/434
6,456,492	B1	*	9/2002	Wang et al.	361/679.4

D470,849	S	*	2/2003	Bertagnole et al.	D14/434
D471,558	S	*	3/2003	Wada	D14/434
6,625,015	B2	*	9/2003	Yin	361/679.4
6,643,127	B1	*	11/2003	Richardson	361/679.4
7,068,496	B2	*	6/2006	Wong et al.	361/679.28
D579,451	S	*	10/2008	Ward et al.	D14/434
2003/0116631	A1	*	6/2003	Salvato et al.	235/472.01
2006/0250767	A1	*	11/2006	Brophy et al.	361/686

* cited by examiner

Primary Examiner — Freda S Nunn

(57) **CLAIM**

The ornamental design for a vehicle-mounted docking station for electronic device, as shown and described.

DESCRIPTION

FIG. 1 is a front view of the vehicle-mounted docking station for electronic device showing my new design;

FIG. 2 is a rear view;

FIG. 3 is a bottom view;

FIG. 4 is a top view;

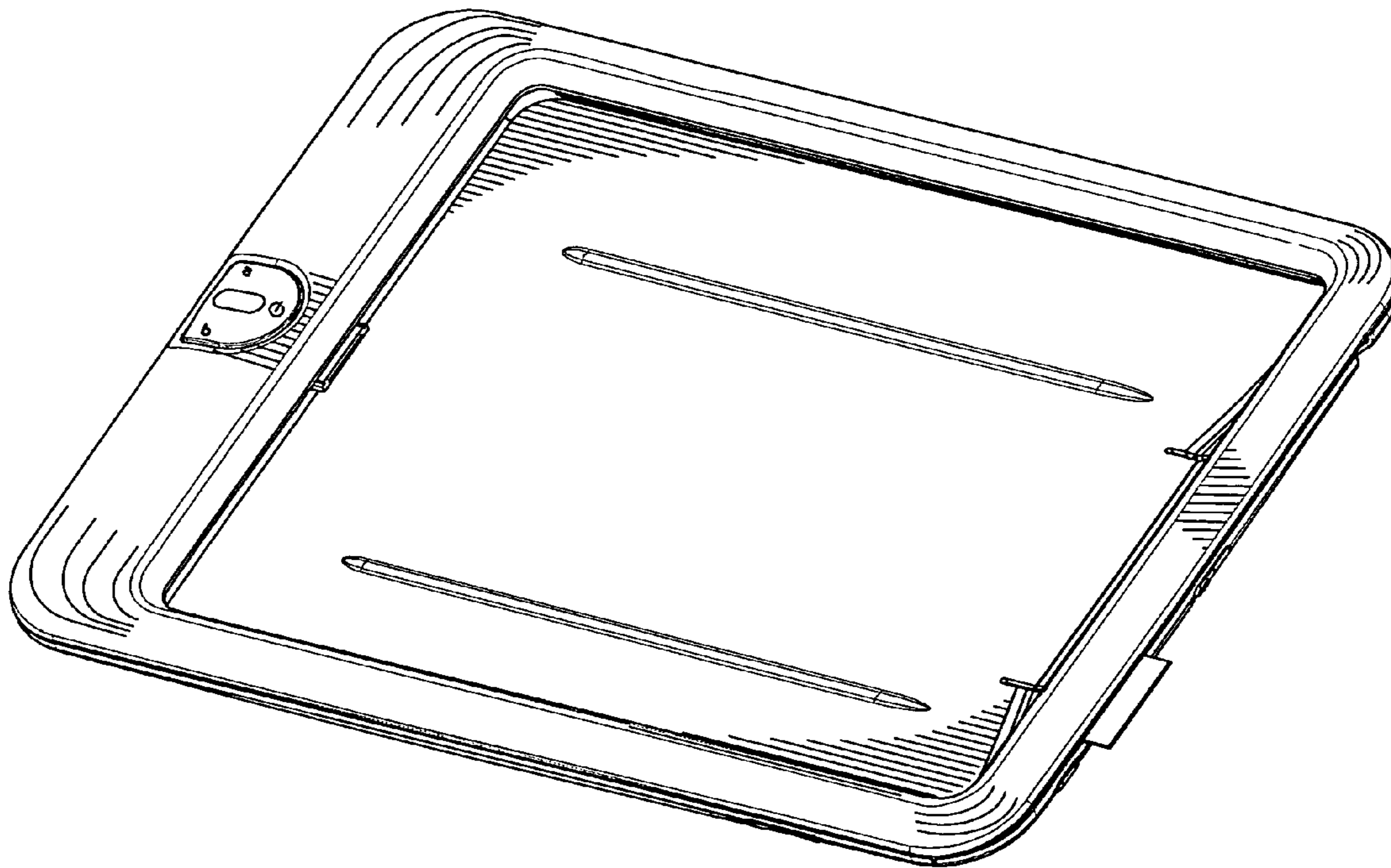
FIG. 5 is a right side view;

FIG. 6 is a left side view;

FIG. 7 is a perspective view; and,

FIG. 8 is a rear perspective view.

1 Claim, 8 Drawing Sheets



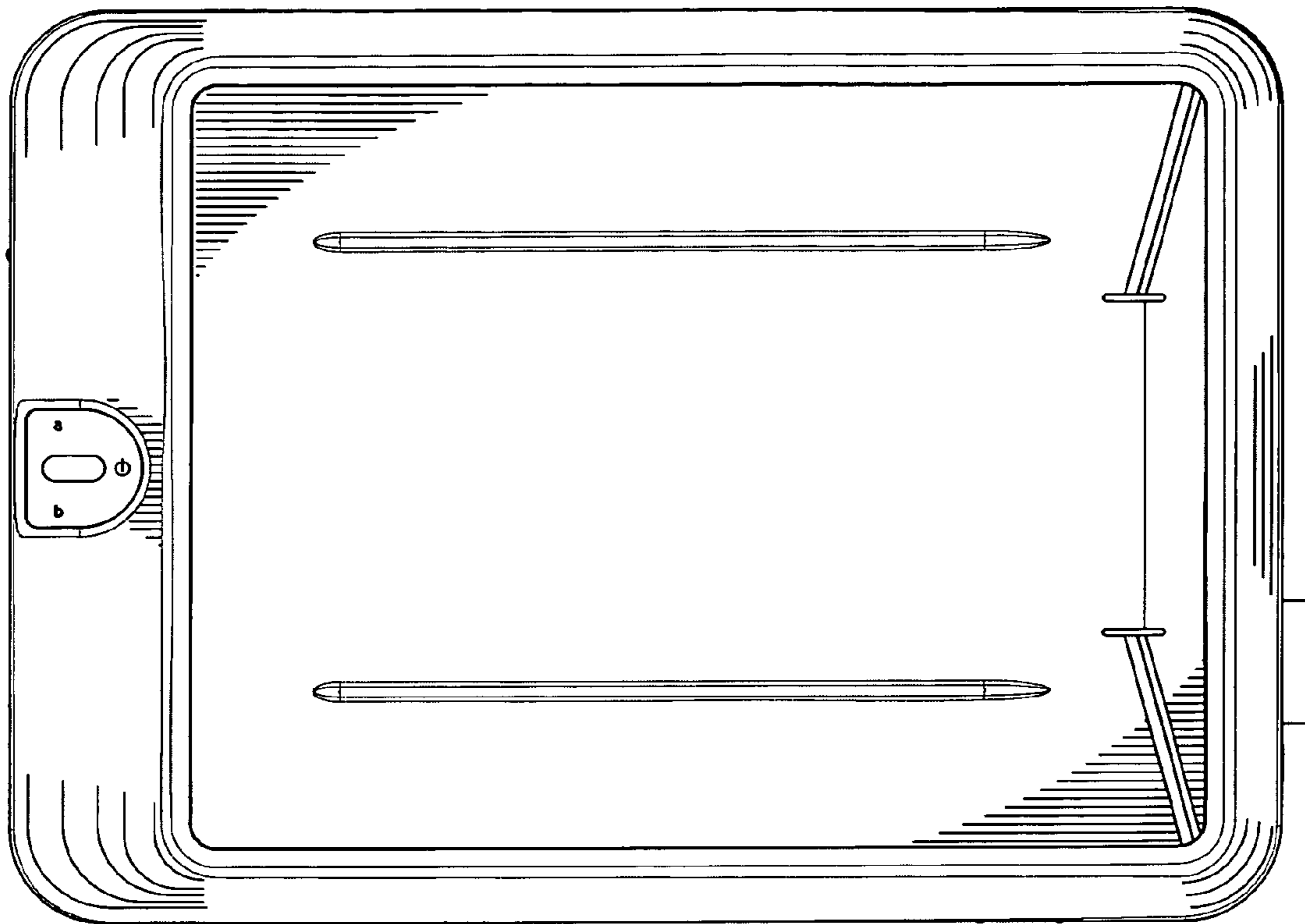


Figure 1

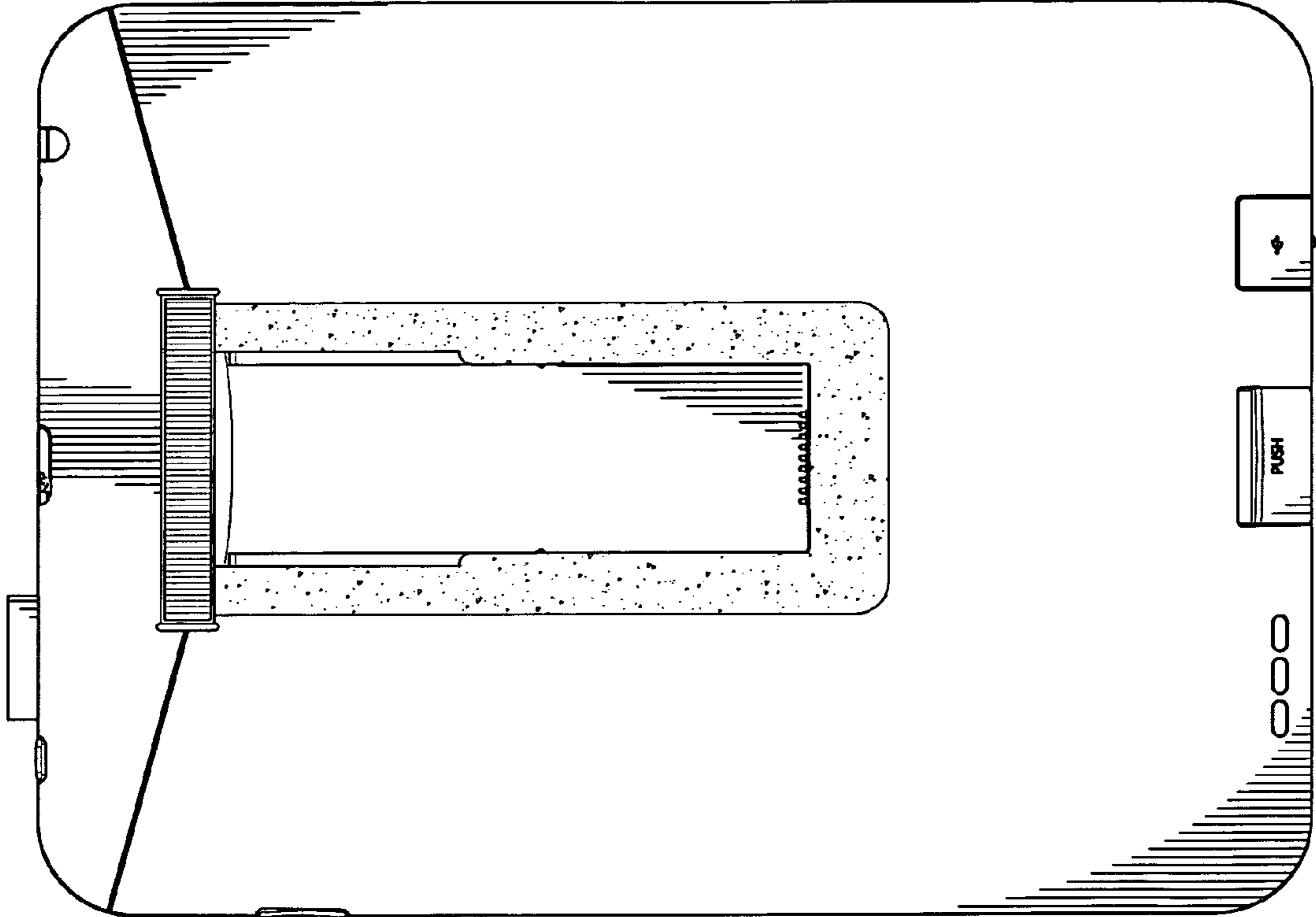


Figure 2

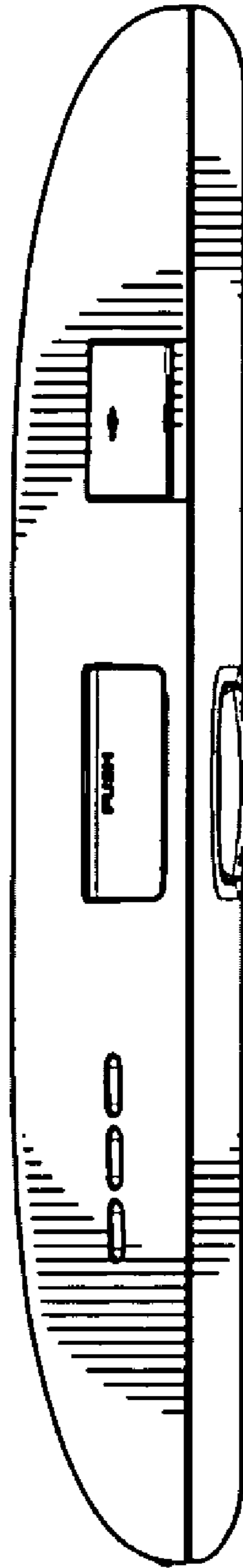


Figure 3

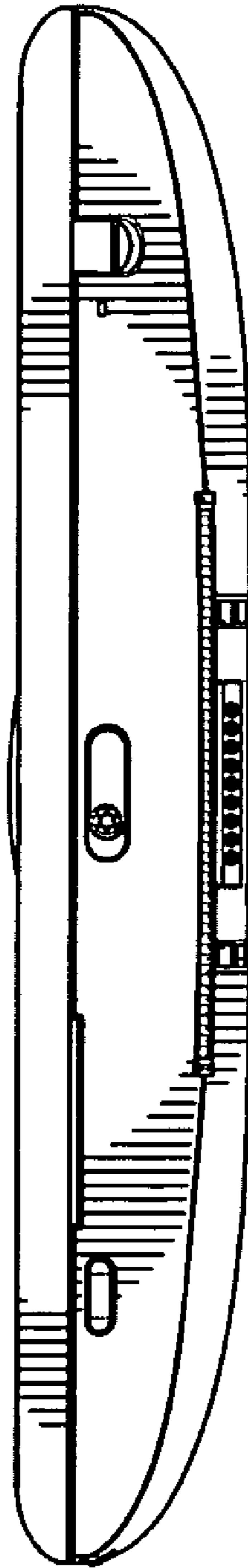


Figure 4

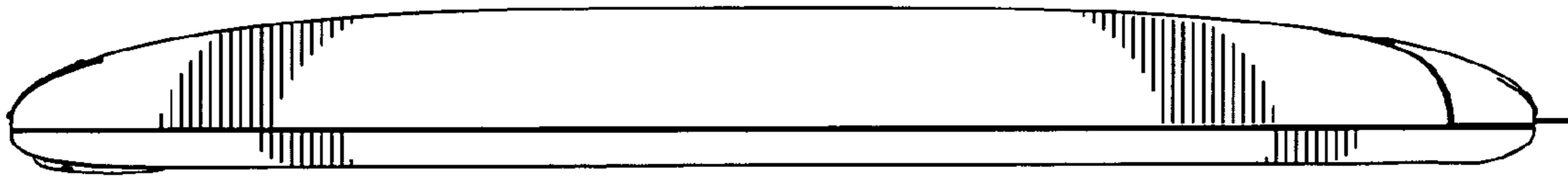


Figure 5

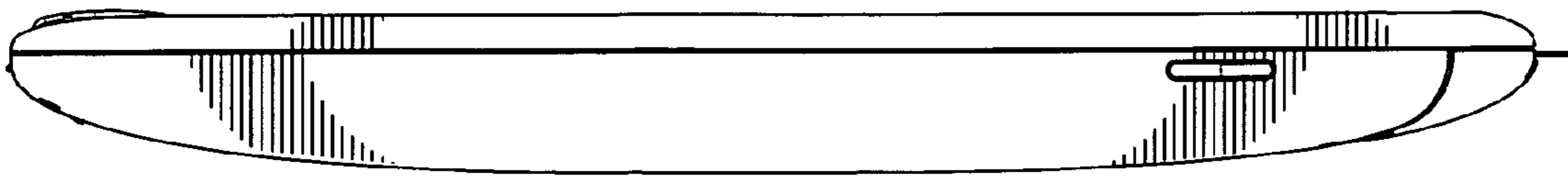


Figure 6

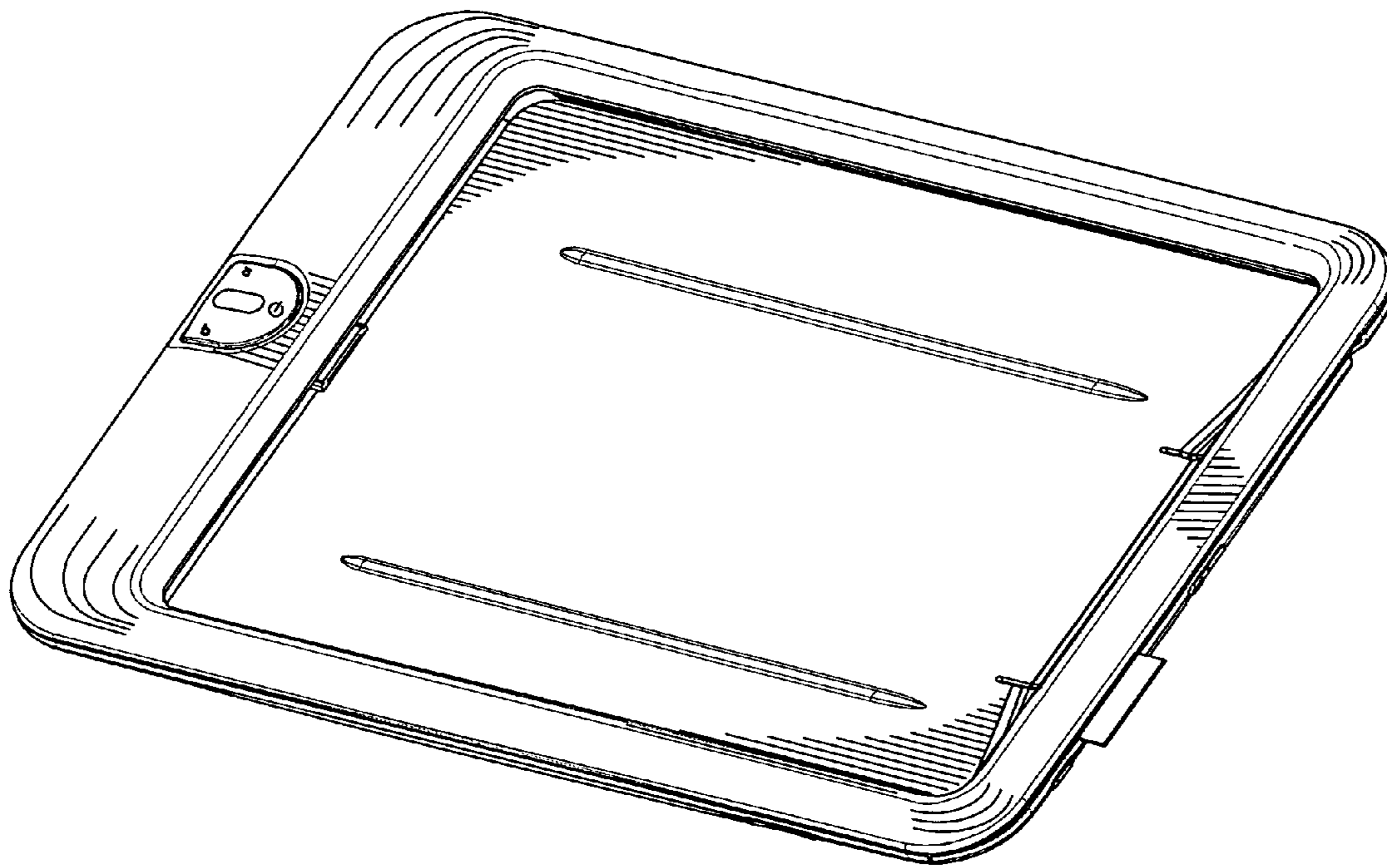


Figure 7

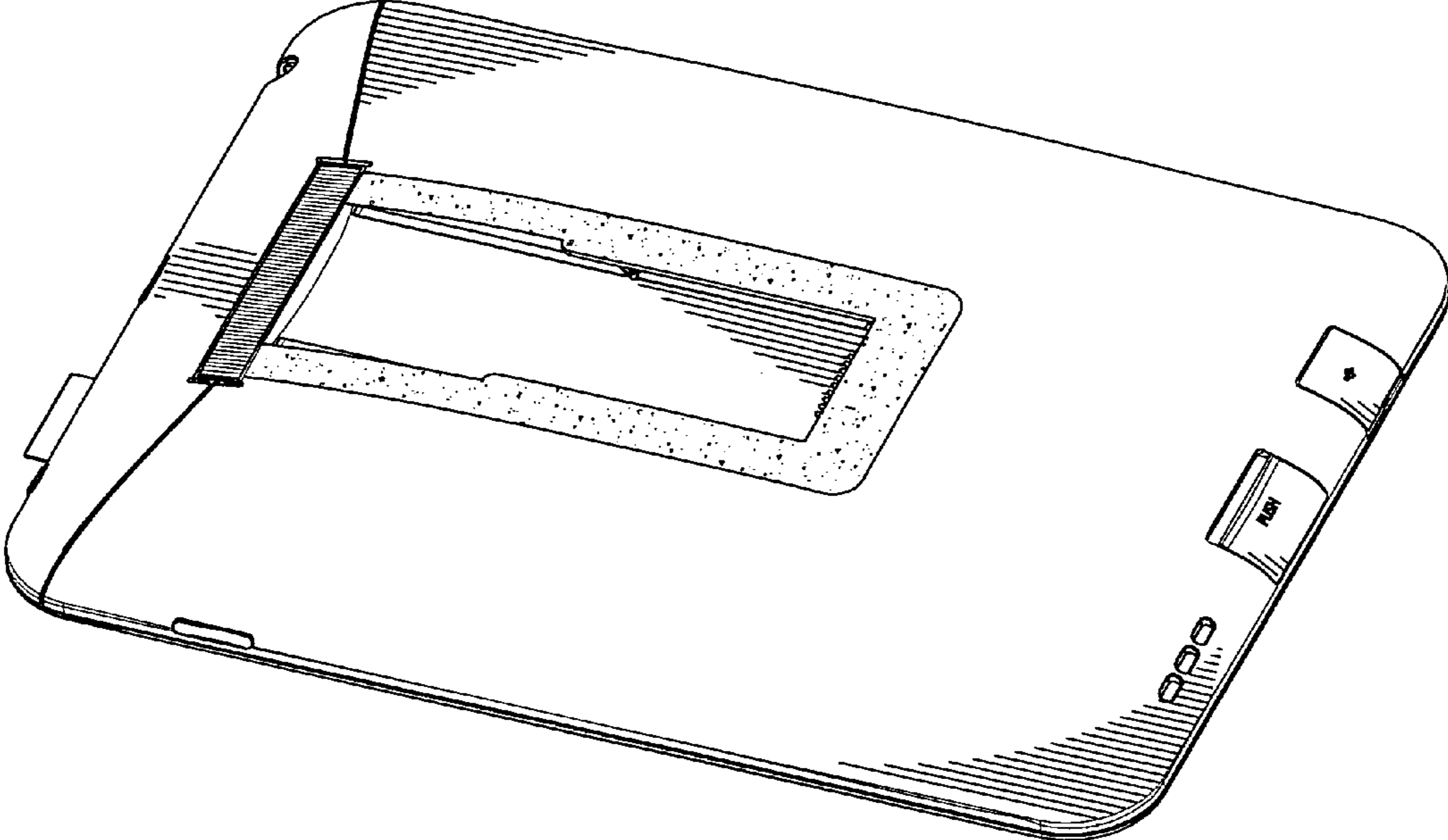


Figure 8