



US00D660837S

(12) **United States Design Patent**
Libman et al.

(10) **Patent No.:** **US D660,837 S**

(45) **Date of Patent:** **** May 29, 2012**

(54) **DESKTOP TOUCH SCREEN**

(75) Inventors: **David Libman**, Dove Canyon, CA (US);
Jaysun Stockdell-Giesler, Morrisville,
NC (US); **Paul Everest**, Flower Mound,
TX (US)

(73) Assignee: **RGB Systems, Inc.**, Anaheim, CA (US)

(**) Term: **14 Years**

(21) Appl. No.: **29/386,017**

(22) Filed: **Feb. 23, 2011**

(51) **LOC (9) Cl.** **14-02**

(52) **U.S. Cl.** **D14/336**

(58) **Field of Classification Search** D14/336,
D14/337, 371-376, 125-129, 307, 388; 345/104,
345/156, 168, 169, 173, 87; 348/180, 184,
348/325, 739; 248/917-924; 341/12; 349/1,
349/2, 11, 62; 235/462.43; D13/108; 361/679.22,
361/679.27

See application file for complete search history.

(56) **References Cited**

U.S. PATENT DOCUMENTS

D355,170	S *	2/1995	Mizusugi et al.	D14/336
D403,670	S *	1/1999	Liao	D14/375
6,053,411	A *	4/2000	Nugent et al.	235/462.43
6,411,271	B1 *	6/2002	Bang et al.	345/87
6,593,859	B1 *	7/2003	Watanabe	341/20

D494,176	S *	8/2004	Porter et al.	D14/388
6,856,506	B2 *	2/2005	Doherty et al.	361/679.27
D558,262	S *	12/2007	Hong et al.	D18/50
D563,405	S *	3/2008	Taniho et al.	D14/336
D614,617	S *	4/2010	Pepper et al.	D14/336

* cited by examiner

Primary Examiner — Freda S Nunn

(74) *Attorney, Agent, or Firm* — The Hecker Law Group,
PLC

(57) **CLAIM**

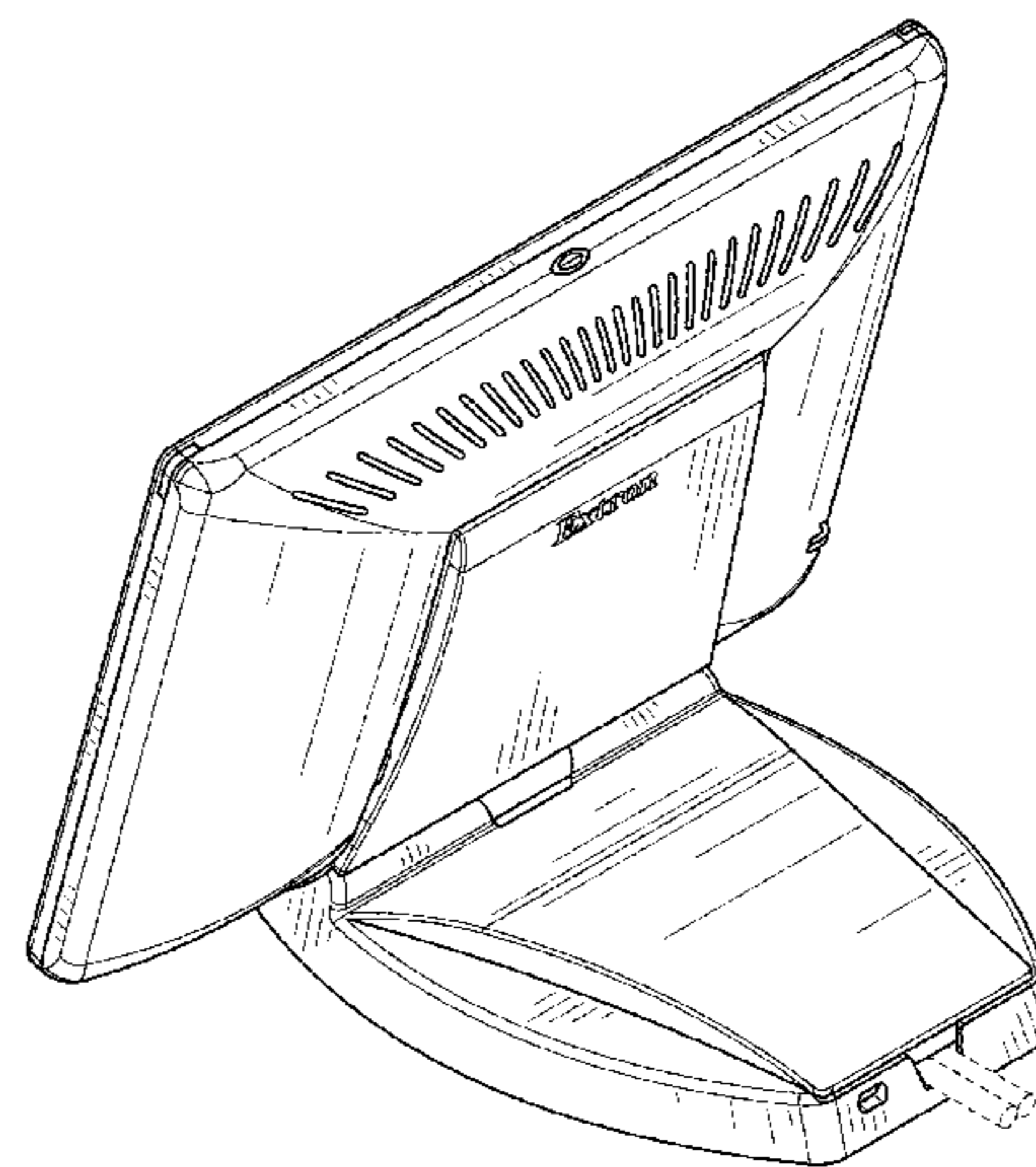
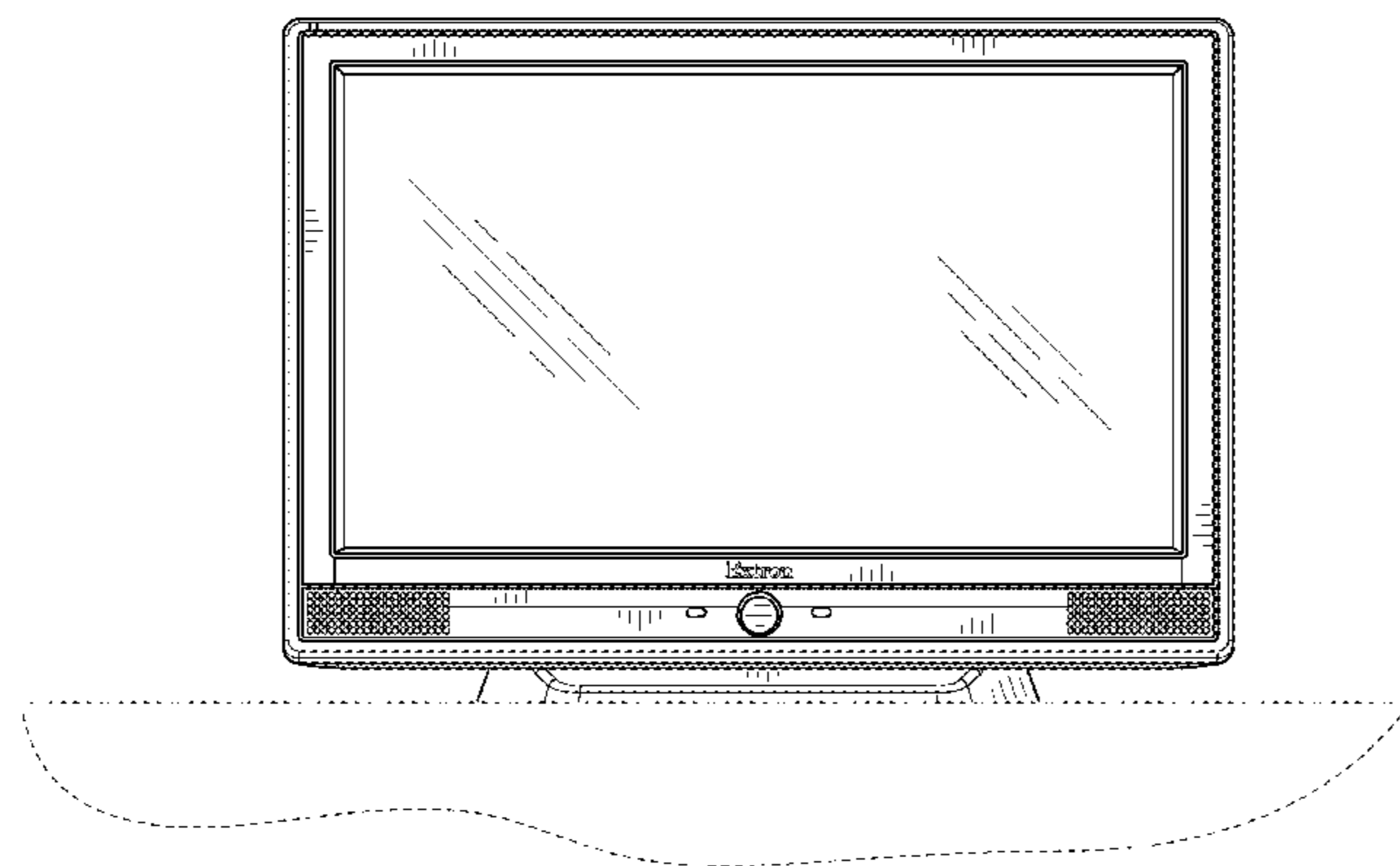
The ornamental design for a desktop touch screen, as shown
and described.

DESCRIPTION

FIG. 1 is a front view of the desktop touch screen of the
present invention;
FIG. 2 is a right side view of the desktop touch screen of FIG.
1;
FIG. 3 is a left side view of the desktop touch screen of FIG.
1;
FIG. 4 is a top view of the desktop touch screen of FIG. 1;
FIG. 5 is a rear view of the desktop touch screen of FIG. 1;
and,
FIG. 6 is a rear perspective view of the desktop touch screen
of FIG. 1.

The broken line showing of structural features is included for
the purpose of illustrating non-claimed subject matter and
forms no part of the claimed design.

1 Claim, 6 Drawing Sheets



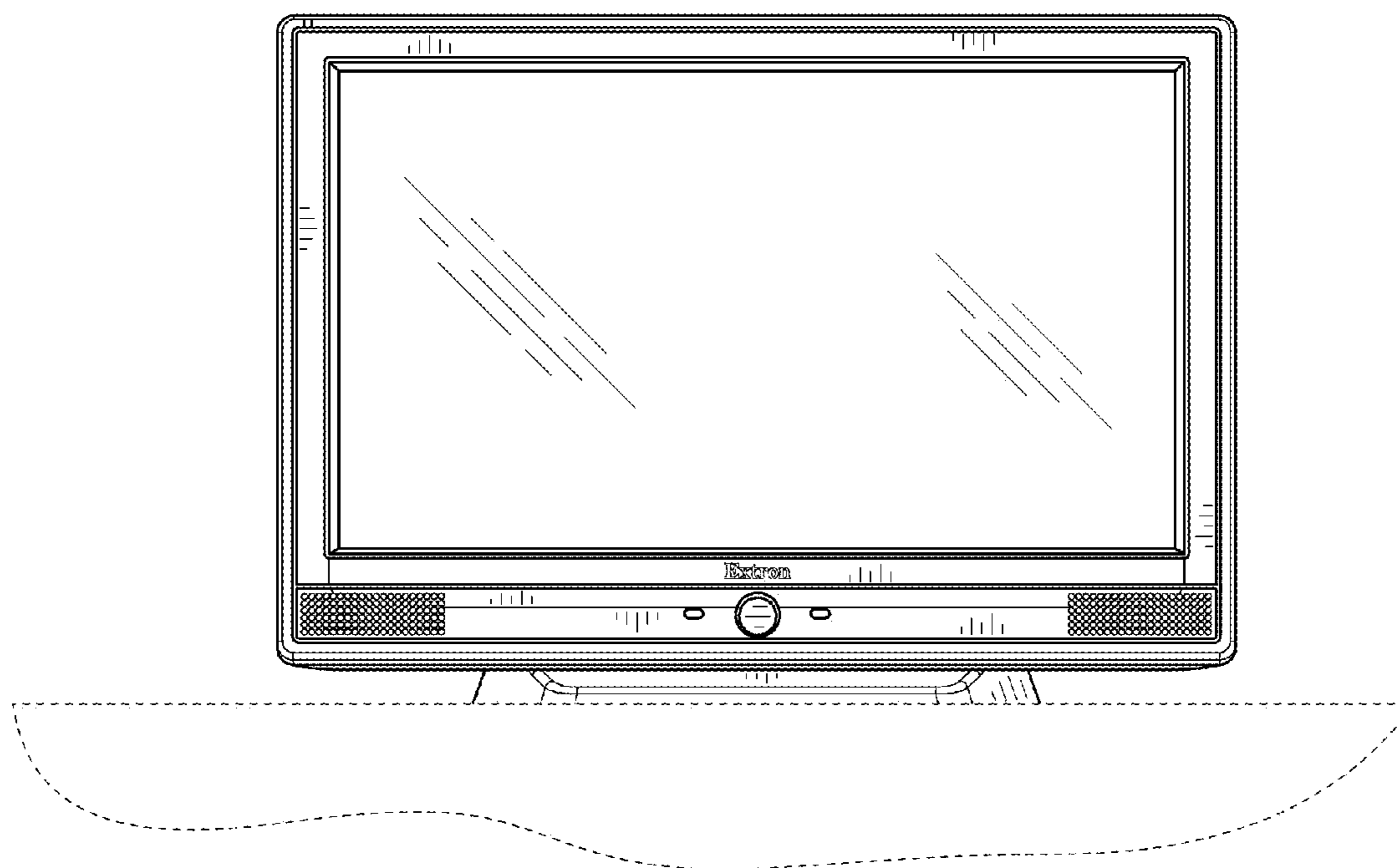


FIG. 1

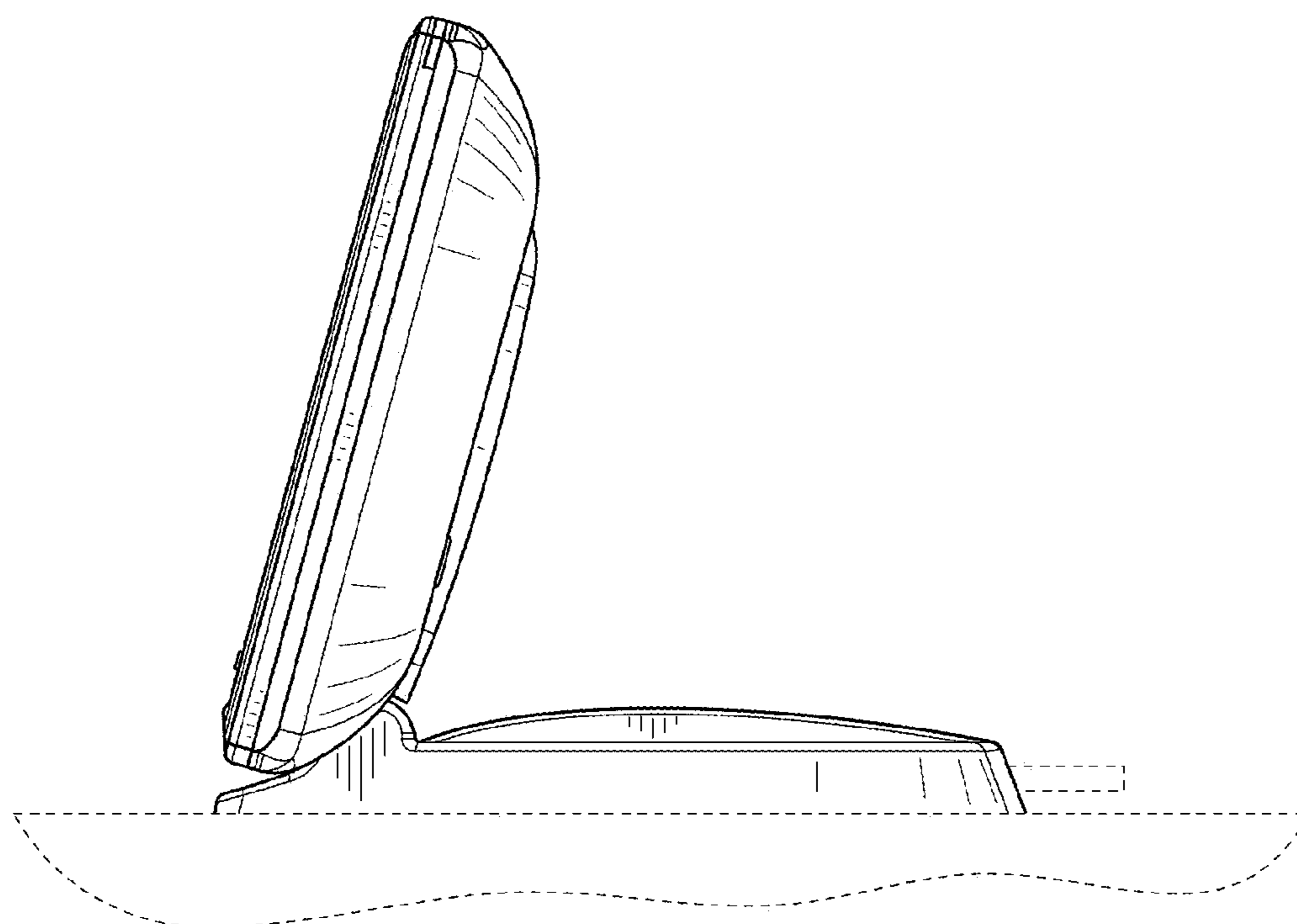


FIG. 2

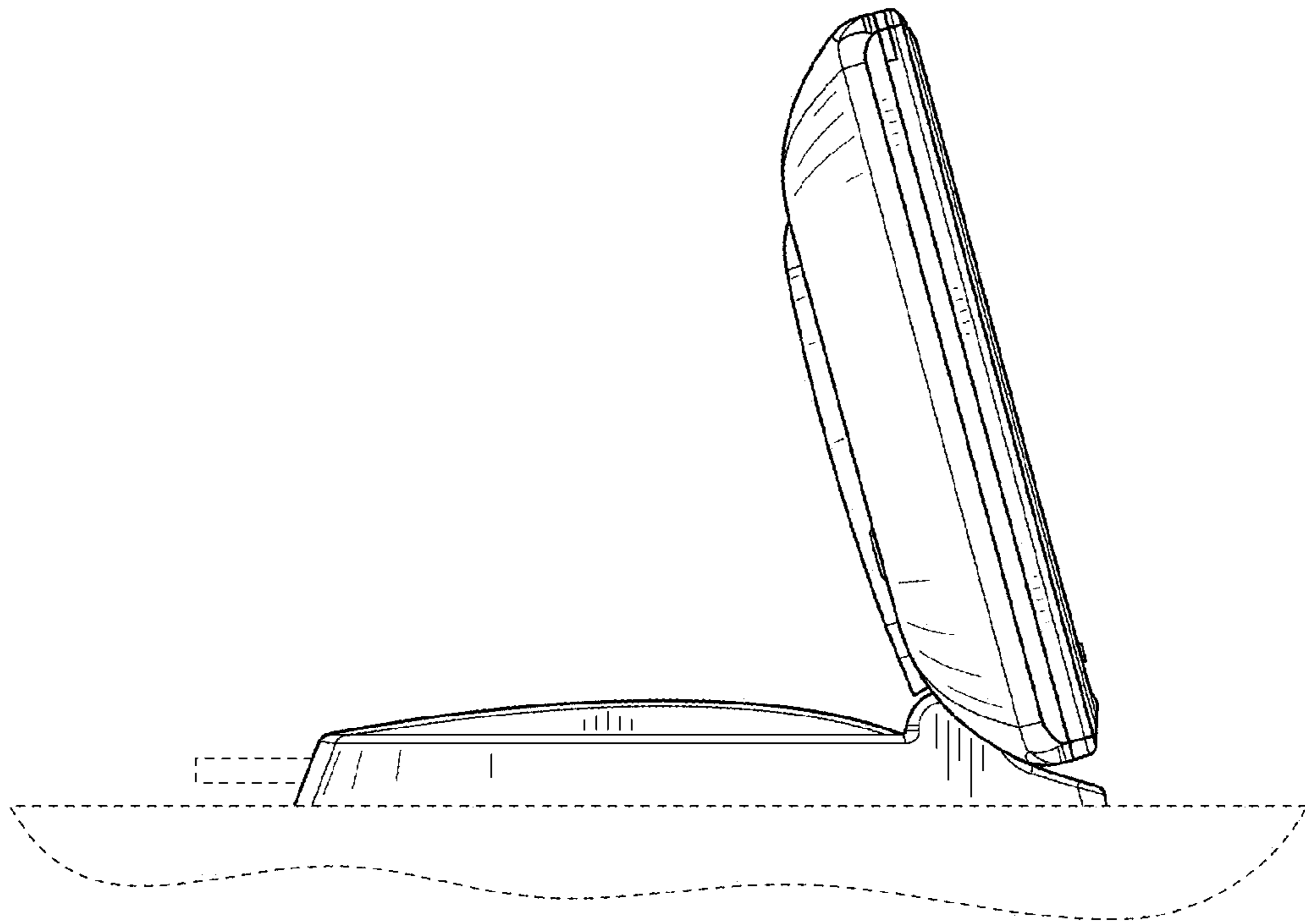


FIG. 3

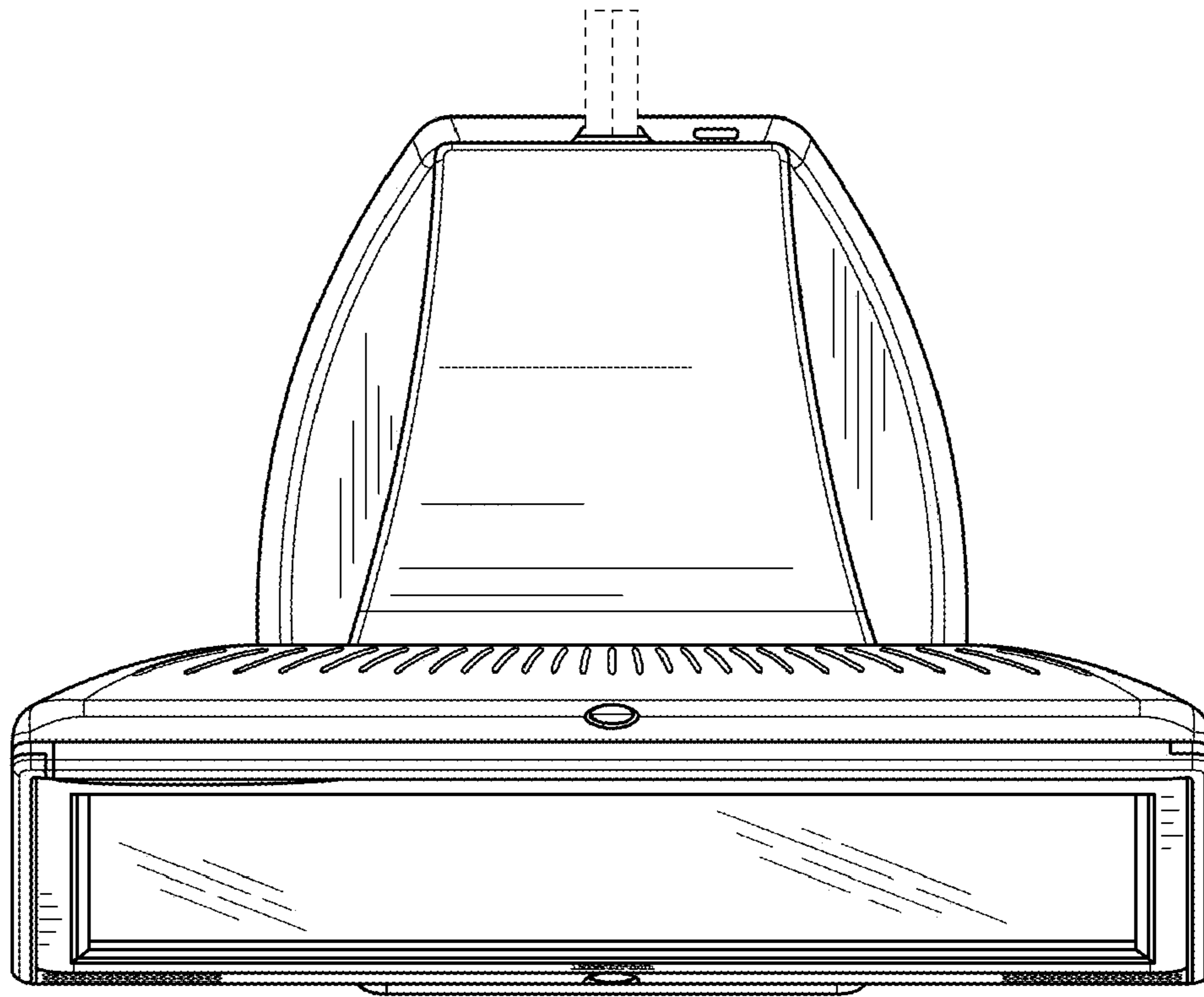


FIG. 4

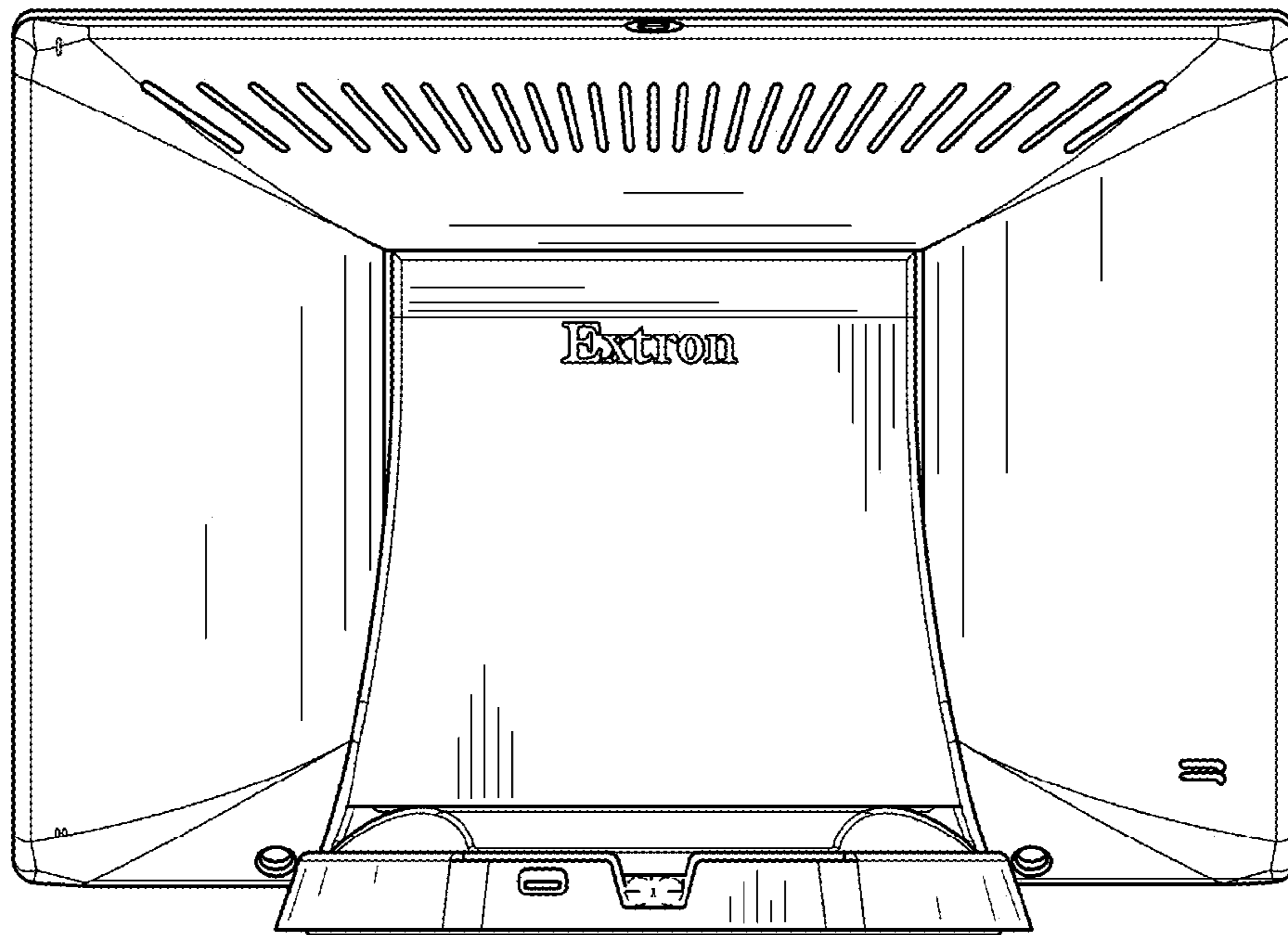


FIG. 5

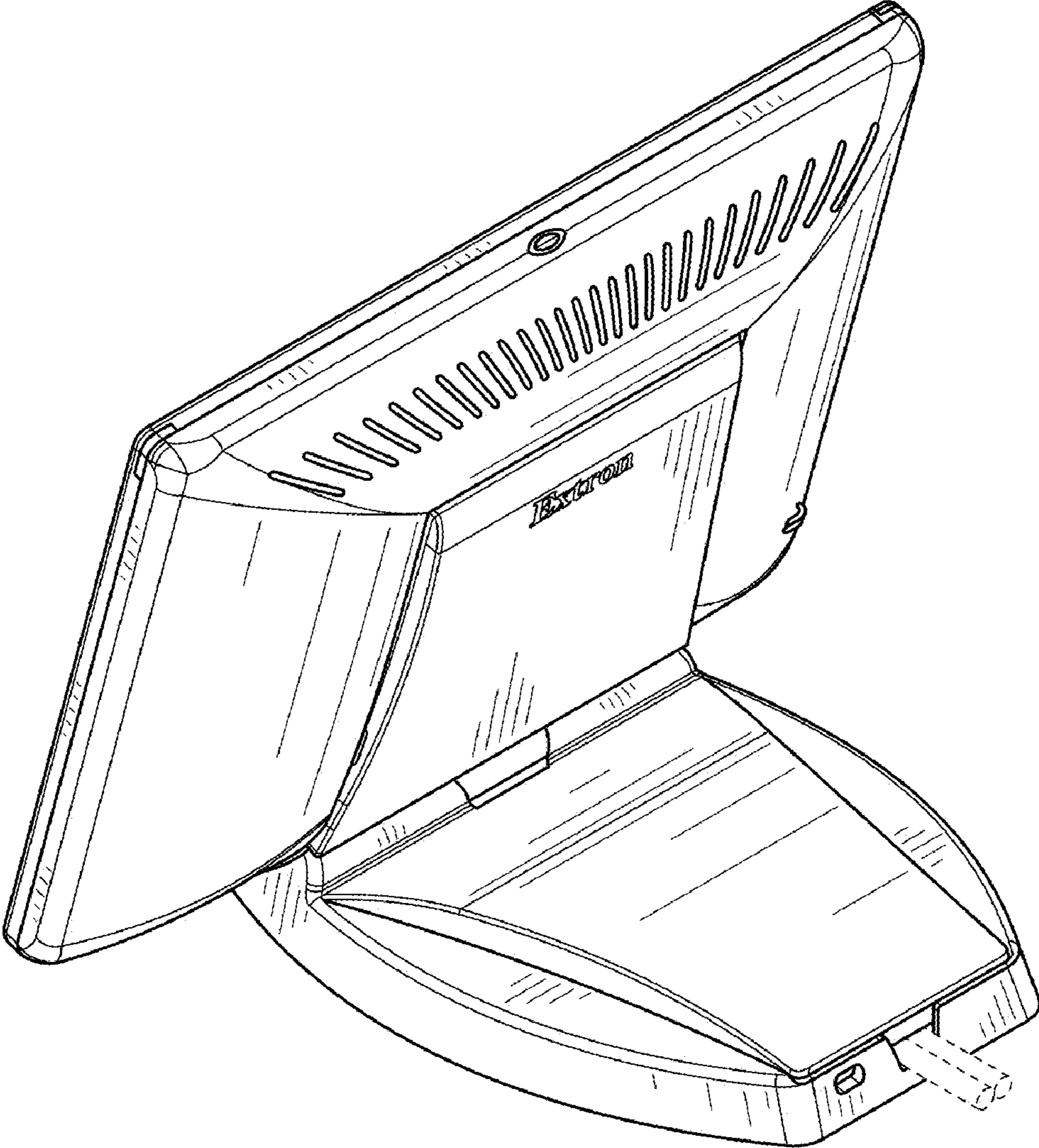


FIG. 6