



US00D660836S

(12) **United States Design Patent**  
**Tanaka**

(10) **Patent No.:** **US D660,836 S**

(45) **Date of Patent:** **\*\* May 29, 2012**

(54) **COMPUTER**

(75) Inventor: **Soichi Tanaka**, Tokyo (JP)

(73) Assignee: **Sony Corporation**, Tokyo (JP)

(\*\*) Term: **14 Years**

(21) Appl. No.: **29/371,046**

(22) Filed: **Sep. 30, 2010**

(30) **Foreign Application Priority Data**

Apr. 1, 2010	(JP)	.....	D2010-008366
Apr. 1, 2010	(JP)	.....	D2010-008367
Apr. 1, 2010	(JP)	.....	D2010-008368
Apr. 1, 2010	(JP)	.....	D2010-008369
Apr. 1, 2010	(JP)	.....	D2010-008370
Apr. 1, 2010	(JP)	.....	D2010-008371
Apr. 1, 2010	(JP)	.....	D2010-008372
Apr. 1, 2010	(JP)	.....	D2010-008373
Apr. 28, 2010	(JP)	.....	D2010-010647
May 6, 2010	(JP)	.....	D2010-011041

(51) **LOC (9) Cl.** ..... **14-02**

(52) **U.S. Cl.** ..... **D14/327**

(58) **Field of Classification Search** ..... D14/315-328;  
D18/1, 2, 7, 11; 235/145 A, 145 R; 341/22,  
341/23; 345/104, 156, 168, 169, 173, 87,  
345/901-905; 361/679.08-679.18, 679.27;  
400/486, 489

See application file for complete search history.

(56) **References Cited**

U.S. PATENT DOCUMENTS

6,067,224	A *	5/2000	Nobuchi	.....	361/679.27
D447,740	S *	9/2001	Johansson	.....	D14/138 AA
D452,861	S	1/2002	Ogasawara		
D466,499	S	12/2002	Nakano		
6,519,139	B2 *	2/2003	Kambayashi	.....	361/679.09
D493,456	S	7/2004	Ogasawara		
D501,660	S	2/2005	Kumano		
D510,737	S	10/2005	Yokota		
D517,063	S *	3/2006	Nakajima et al.	.....	D14/318
D559,245	S *	1/2008	Iseki	.....	D14/318

D559,247	S	1/2008	Kawase		
D574,382	S *	8/2008	Tsukahara	.....	D14/432
D577,013	S *	9/2008	Harris et al.	.....	D14/317
D578,125	S *	10/2008	Iseki	.....	D14/432
D581,410	S *	11/2008	Kumano	.....	D14/318
D585,900	S	2/2009	Kumano		
D620,002	S *	7/2010	Tsai et al.	.....	D14/315
2005/0018396	A1 *	1/2005	Nakajima et al.	.....	361/683
2005/0041378	A1 *	2/2005	Hamada et al.	.....	361/680

\* cited by examiner

FOREIGN PATENT DOCUMENTS

JP D1368179 S 8/2009

Primary Examiner — Freda S Nunn

(74) *Attorney, Agent, or Firm* — Rader, Fishman & Grauer PLLC

(57) **CLAIM**

The ornamental design for a computer, as shown and described.

**DESCRIPTION**

FIG. 1 is a front, top, right perspective view of a first embodiment of a computer showing my new design;  
 FIG. 2 is a rear, bottom, left perspective view thereof;  
 FIG. 3 is a front elevational view thereof;  
 FIG. 4 is a rear elevational view thereof;  
 FIG. 5 is a left side elevational view thereof;  
 FIG. 6 is a right side elevational view thereof;  
 FIG. 7 is a top plan view thereof; and  
 FIG. 8 is a bottom plan view thereof.  
 FIG. 9 is a front, top, right perspective view of the computer of FIG. 1, wherein the screen portion is in a closed position;  
 FIG. 10 is a rear, bottom, left perspective view thereof;  
 FIG. 11 is a front elevational view thereof;  
 FIG. 12 is a rear elevational view thereof;  
 FIG. 13 is a left side elevational view thereof;  
 FIG. 14 is a right side elevational view thereof;  
 FIG. 15 is a top plan view thereof; and  
 FIG. 16 is a bottom plan view thereof.  
 FIG. 17 is a front, top, right perspective view of a second embodiment of a computer showing my new design;  
 FIG. 18 is a rear, bottom, left perspective view thereof;  
 FIG. 19 is a front elevational view thereof;

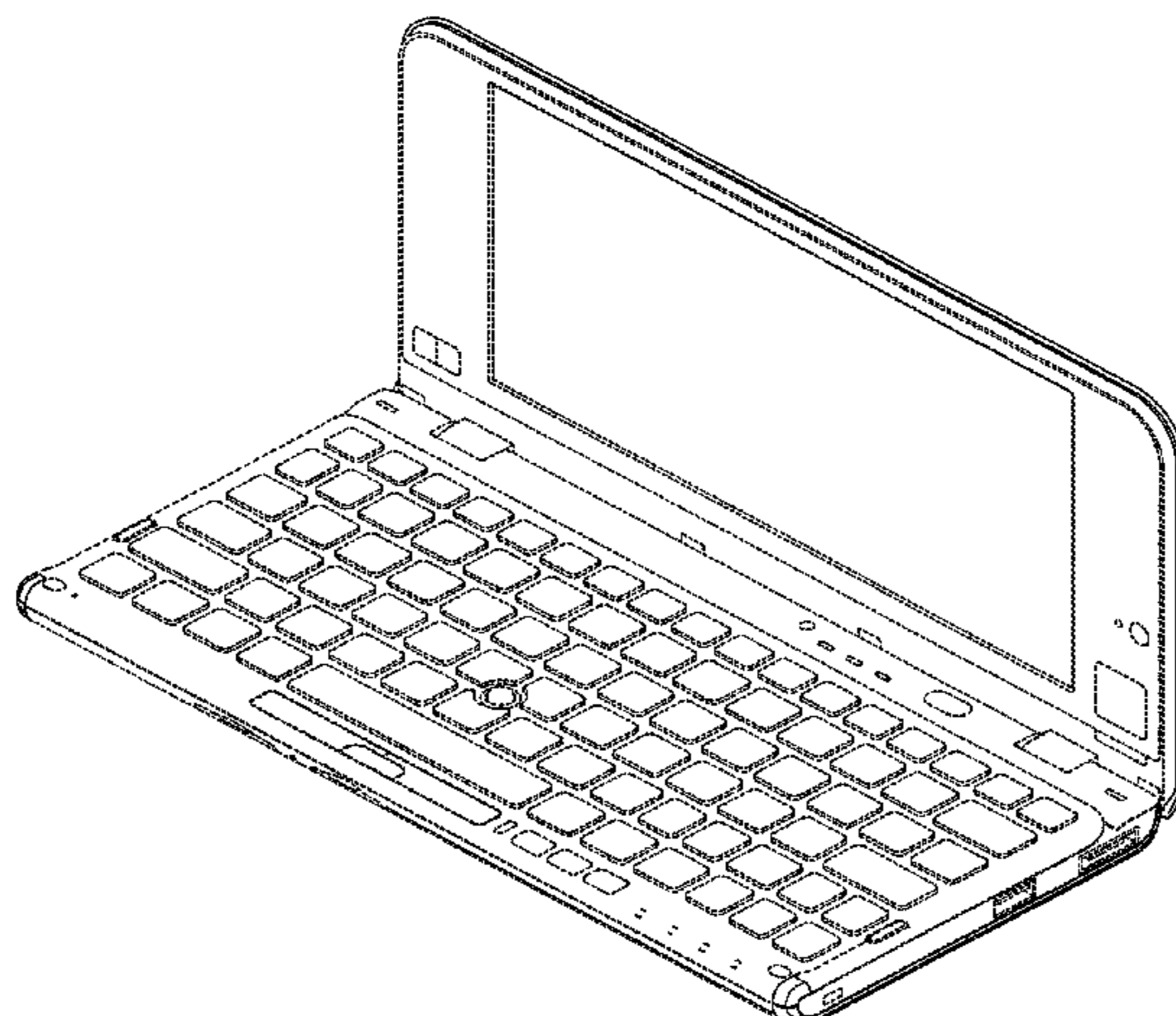


FIG. 20 is a rear elevational view thereof;  
FIG. 21 is a left side elevational view thereof;  
FIG. 22 is a right side elevational view thereof;  
FIG. 23 is a top plan view thereof; and  
FIG. 24 is a bottom plan view thereof.  
FIG. 25 is a front, top, right perspective view of the computer of FIG. 17, wherein the screen portion is in a closed position;  
FIG. 26 is a rear, bottom, left perspective view thereof;  
FIG. 27 is a front elevational view thereof;  
FIG. 28 is a rear elevational view thereof;  
FIG. 29 is a left side elevational view thereof;  
FIG. 30 is a right side elevational view thereof;  
FIG. 31 is a top plan view thereof; and  
FIG. 32 is a bottom plan view thereof.  
FIG. 33 is a front, top, right perspective view of a third embodiment of a computer showing my new design;  
FIG. 34 is a rear, bottom, left perspective view thereof;  
FIG. 35 is a front elevational view thereof;  
FIG. 36 is a rear elevational view thereof;  
FIG. 37 is a left side elevational view thereof;  
FIG. 38 is a right side elevational view thereof;  
FIG. 39 is a top plan view thereof; and  
FIG. 40 is a bottom plan view thereof.  
FIG. 41 is a front, top, right perspective view of the computer of FIG. 33, wherein the screen portion is in a closed position;  
FIG. 42 is a rear, bottom, left perspective view thereof;  
FIG. 43 is a front elevational view thereof;  
FIG. 44 is a rear elevational view thereof;  
FIG. 45 is a left side elevational view thereof;  
FIG. 46 is a right side elevational view thereof;  
FIG. 47 is a top plan view thereof; and  
FIG. 48 is a bottom plan view thereof.  
FIG. 49 is a front, top, right perspective view of a fourth embodiment of a computer showing my new design;  
FIG. 50 is a rear, bottom, left perspective view thereof;  
FIG. 51 is a front elevational view thereof;

FIG. 52 is a rear elevational view thereof;  
FIG. 53 is a left side elevational view thereof;  
FIG. 54 is a right side elevational view thereof;  
FIG. 55 is a top plan view thereof; and  
FIG. 56 is a bottom plan view thereof.  
FIG. 57 is a front, top, right perspective view of the computer of FIG. 49, wherein the screen portion is in a closed position;  
FIG. 58 is a rear, bottom, left perspective view thereof;  
FIG. 59 is a front elevational view thereof;  
FIG. 60 is a rear elevational view thereof;  
FIG. 61 is a left side elevational view thereof;  
FIG. 62 is a right side elevational view thereof;  
FIG. 63 is a top plan view thereof; and  
FIG. 64 is a bottom plan view thereof.  
FIG. 65 is a front, top, right perspective view of a fifth embodiment of a computer showing my new design;  
FIG. 66 is a rear, bottom, left perspective view thereof;  
FIG. 67 is a front elevational view thereof;  
FIG. 68 is a rear elevational view thereof;  
FIG. 69 is a left side elevational view thereof;  
FIG. 70 is a right side elevational view thereof;  
FIG. 71 is a top plan view thereof; and  
FIG. 72 is a bottom plan view thereof.  
FIG. 73 is a front, top, right perspective view of the computer of FIG. 65, wherein the screen portion is in a closed position;  
FIG. 74 is a rear, bottom, left perspective view thereof;  
FIG. 75 is a front elevational view thereof;  
FIG. 76 is a rear elevational view thereof;  
FIG. 77 is a left side elevational view thereof;  
FIG. 78 is a right side elevational view thereof;  
FIG. 79 is a top plan view thereof; and,  
FIG. 80 is a bottom plan view thereof.  
Portions in broken lines are for illustrative purposes only and form no part of the claimed design. Dot-dash lines define the boundaries of, but not included in, the claimed design.

**1 Claim, 45 Drawing Sheets**

FIG.1

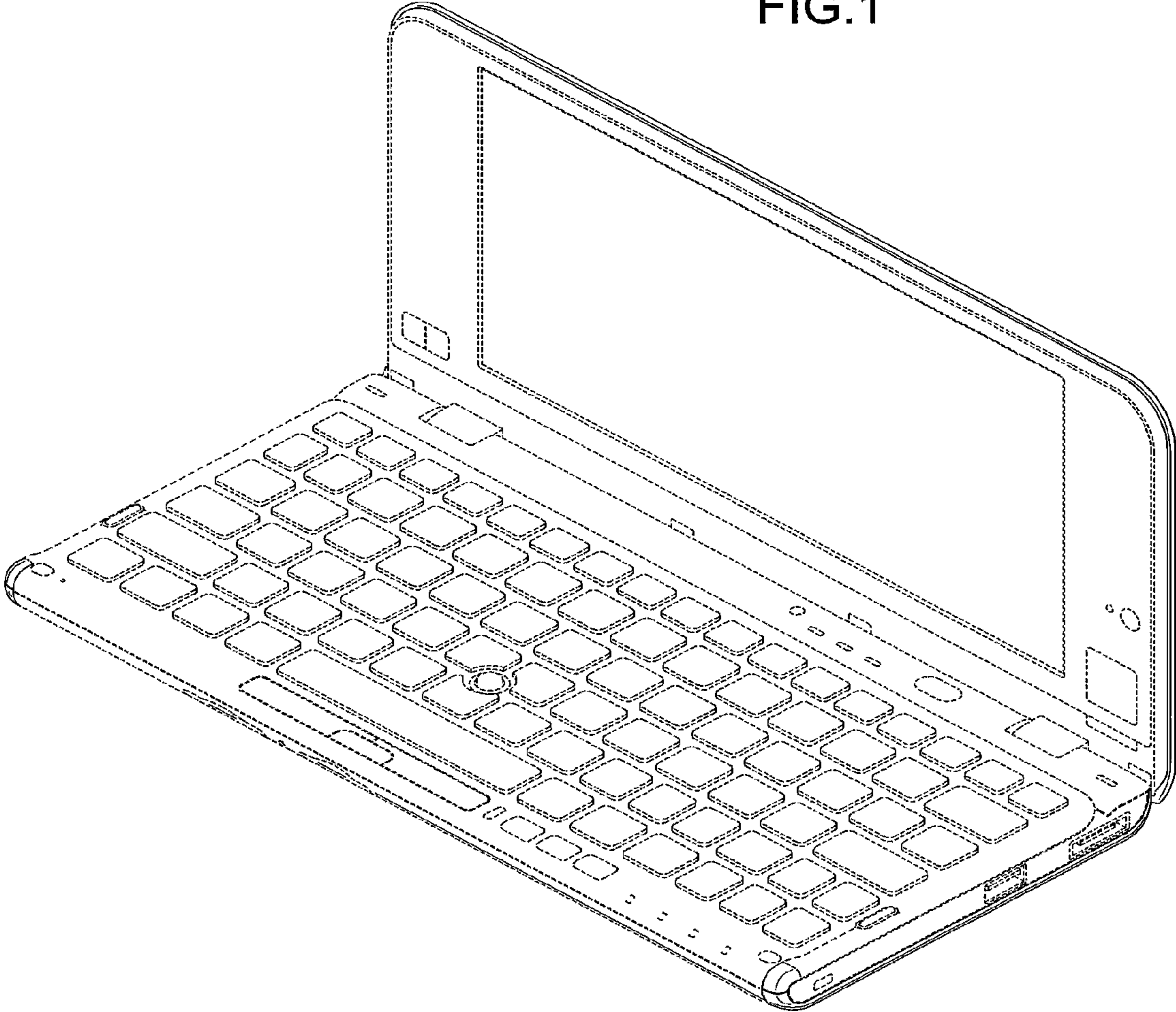


FIG.2

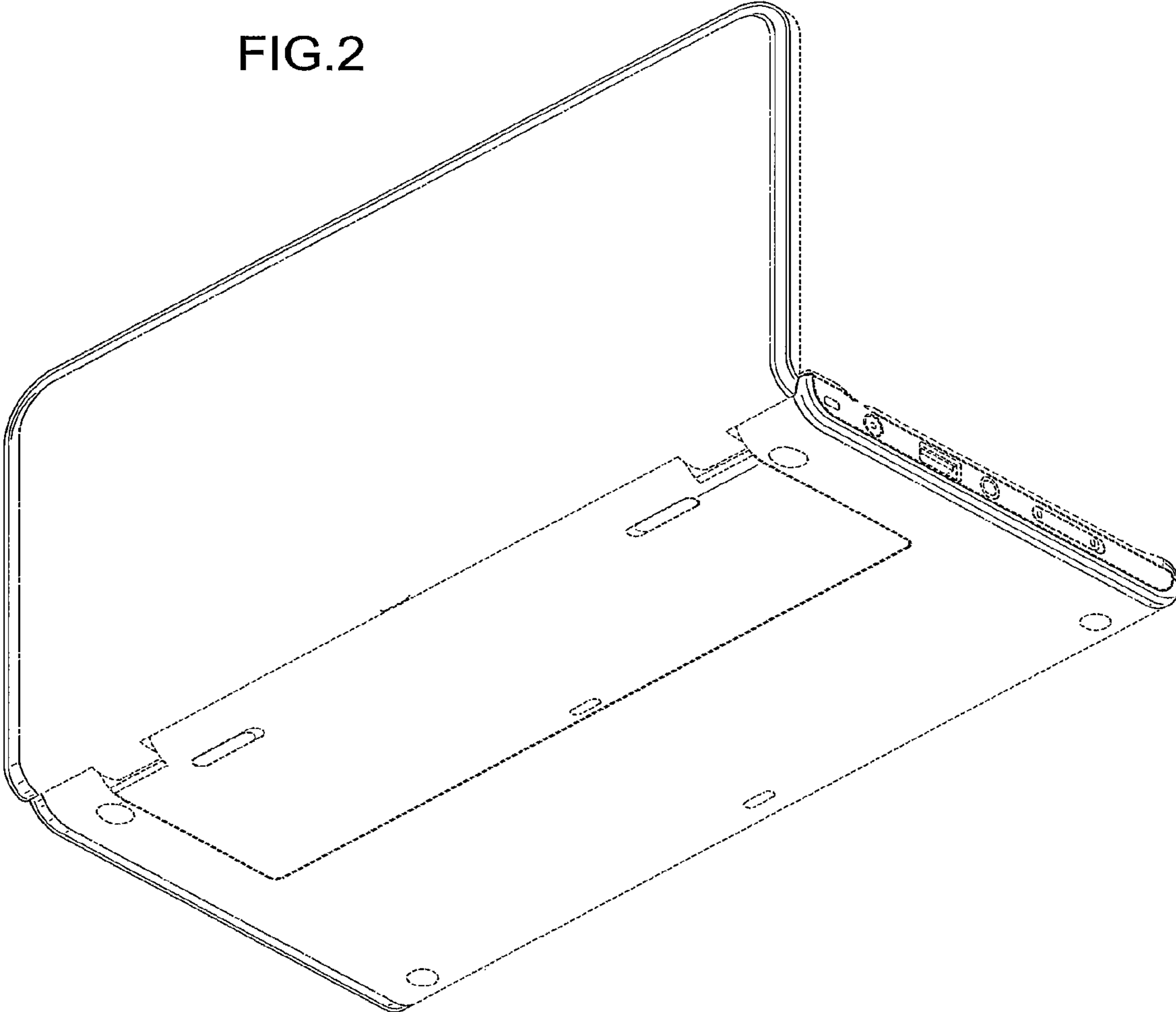


FIG.3

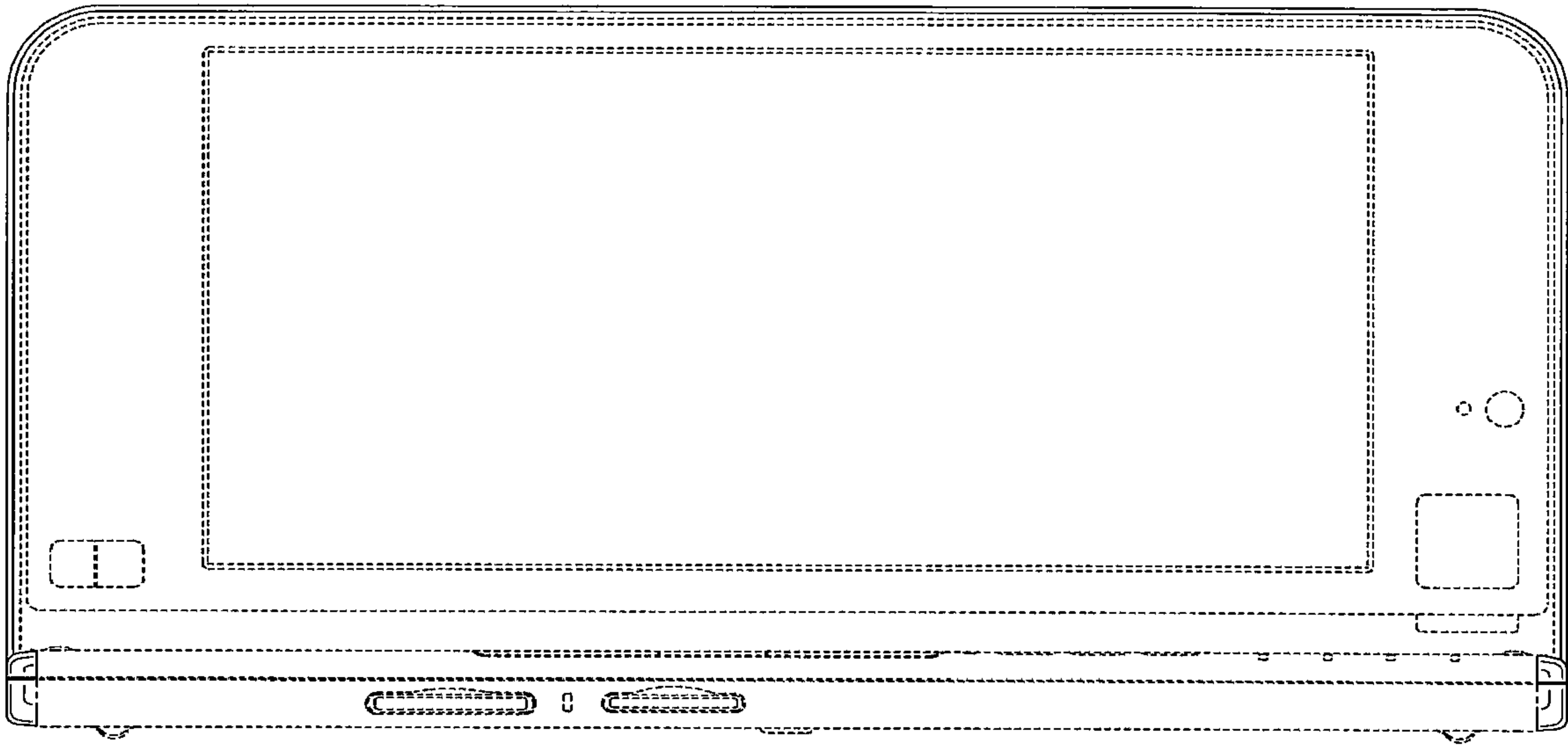


FIG.4

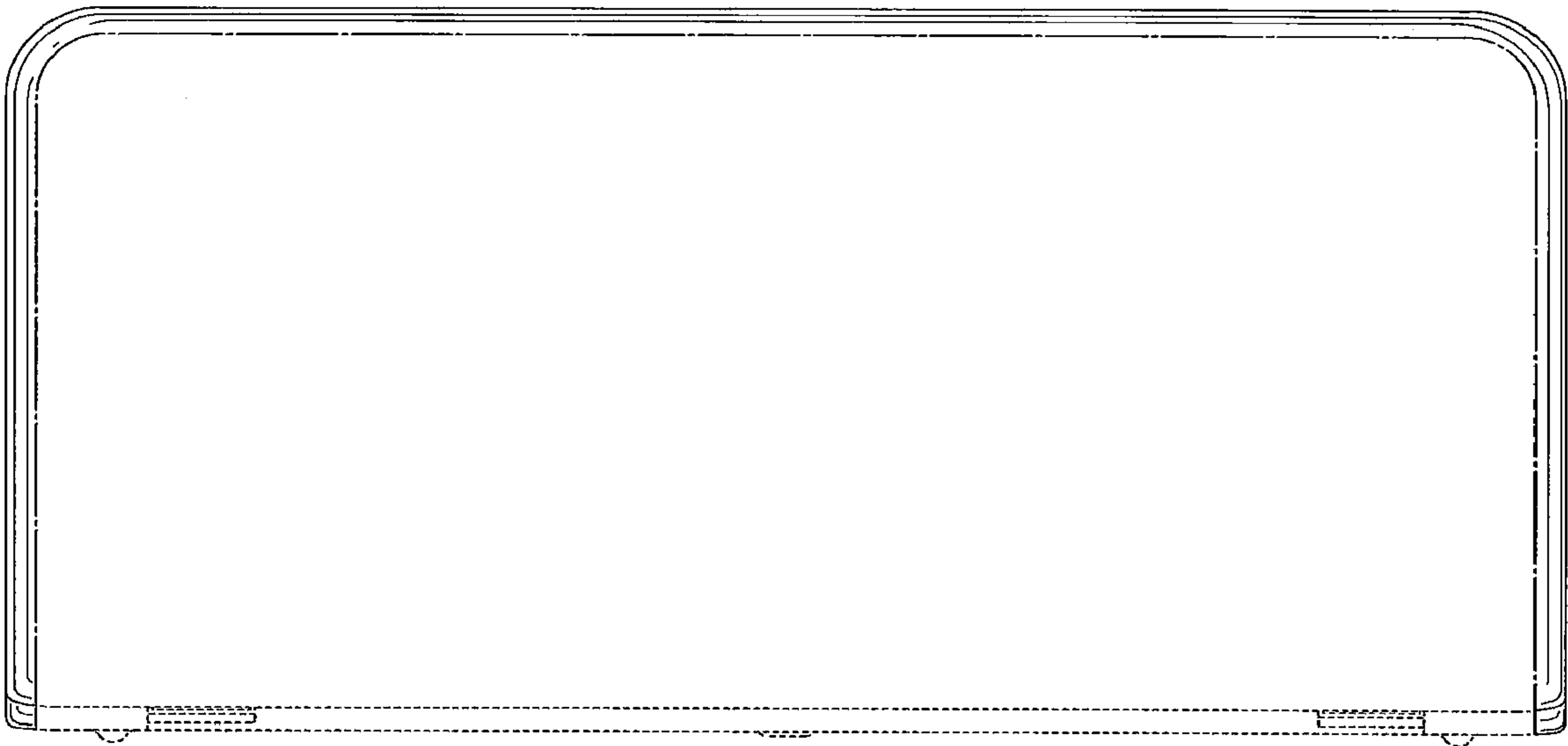


FIG.5

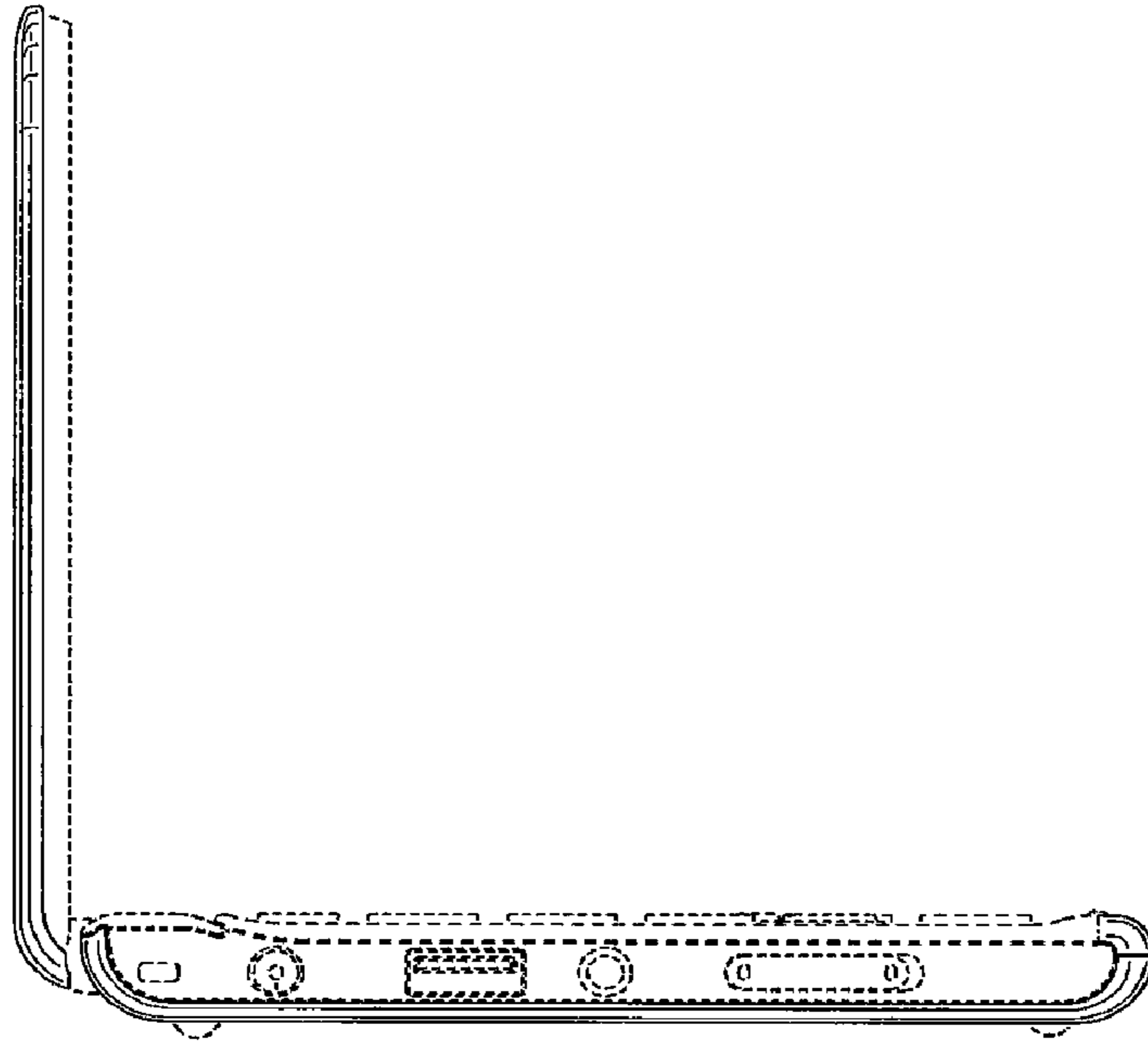


FIG.6

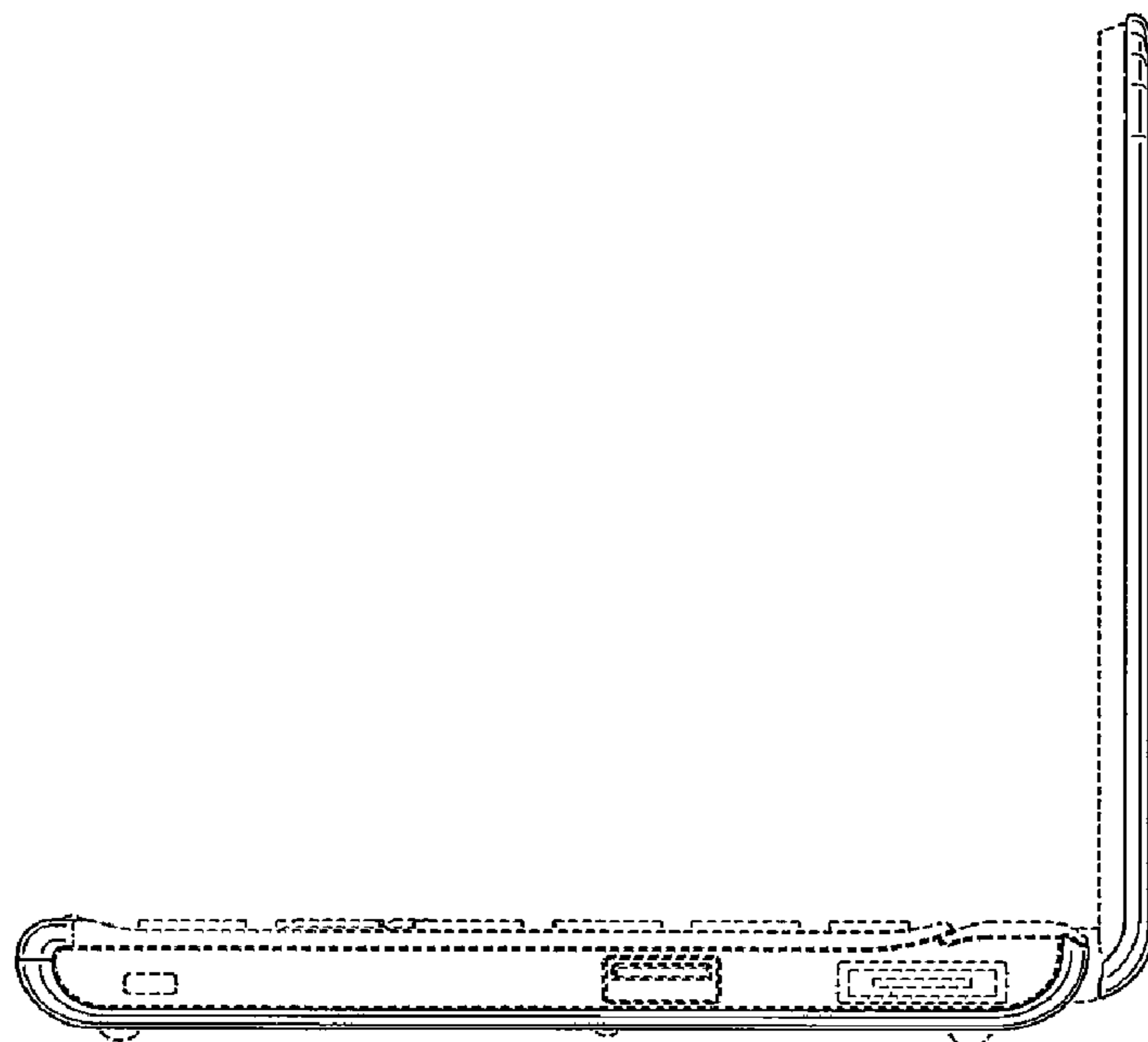


FIG.7

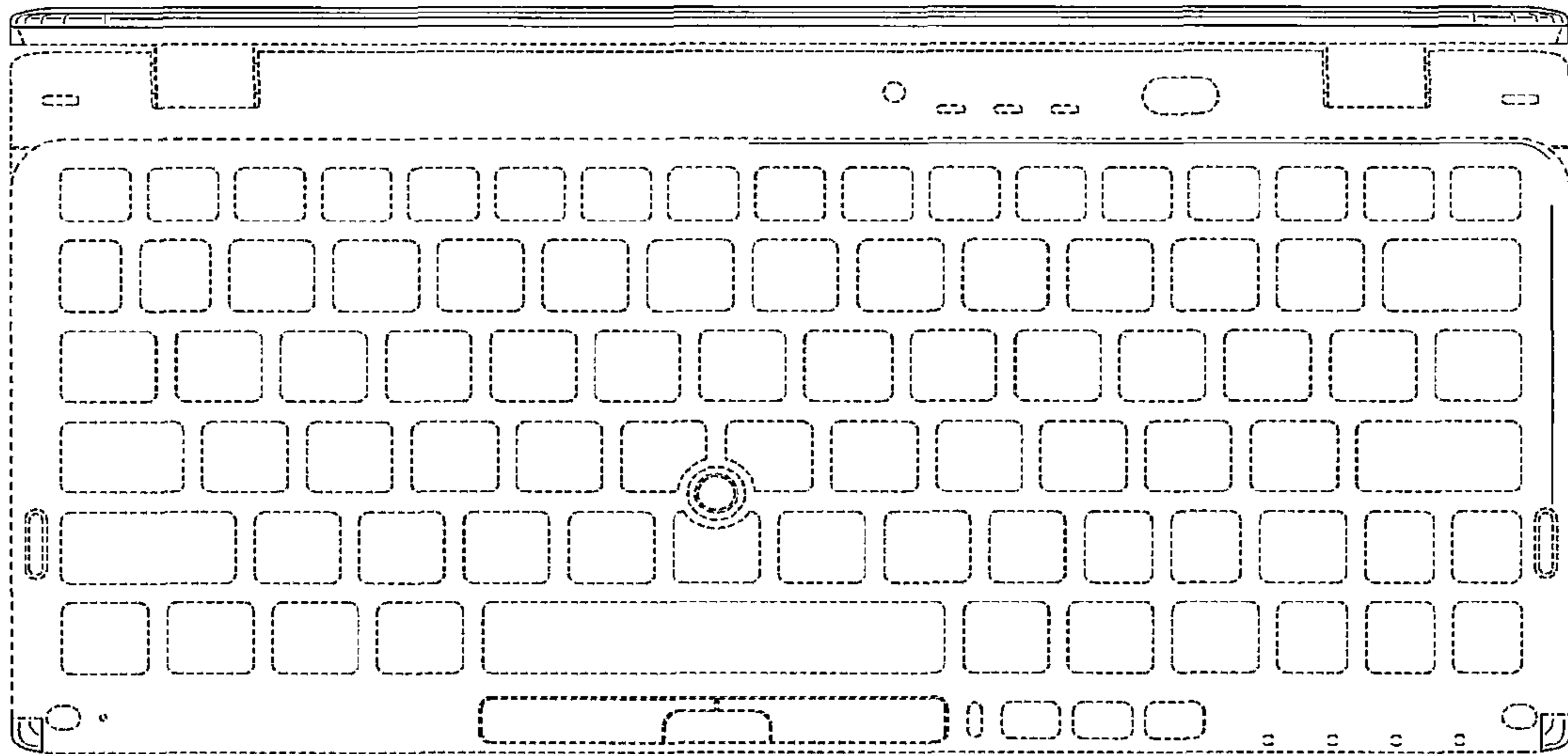


FIG.8

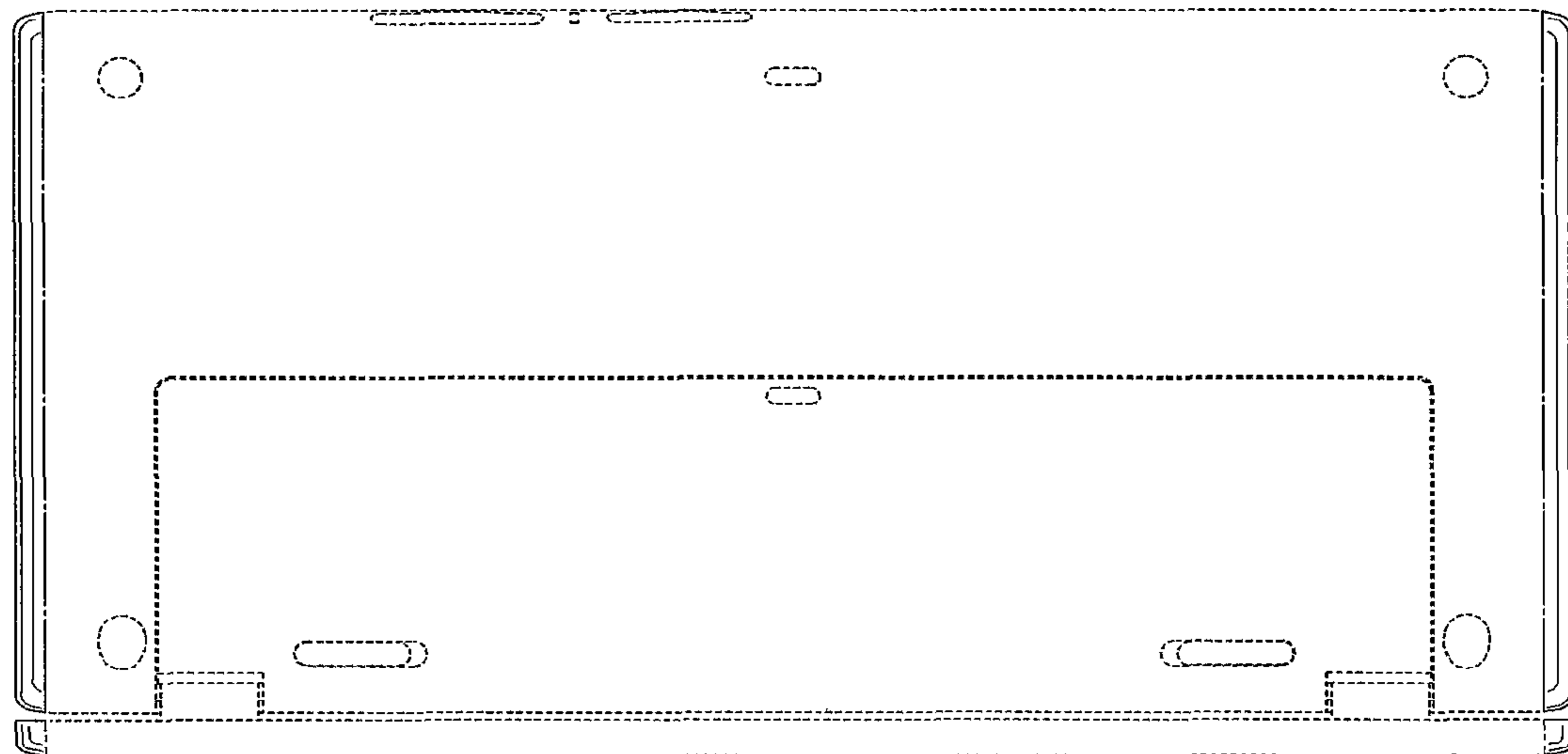


FIG.9

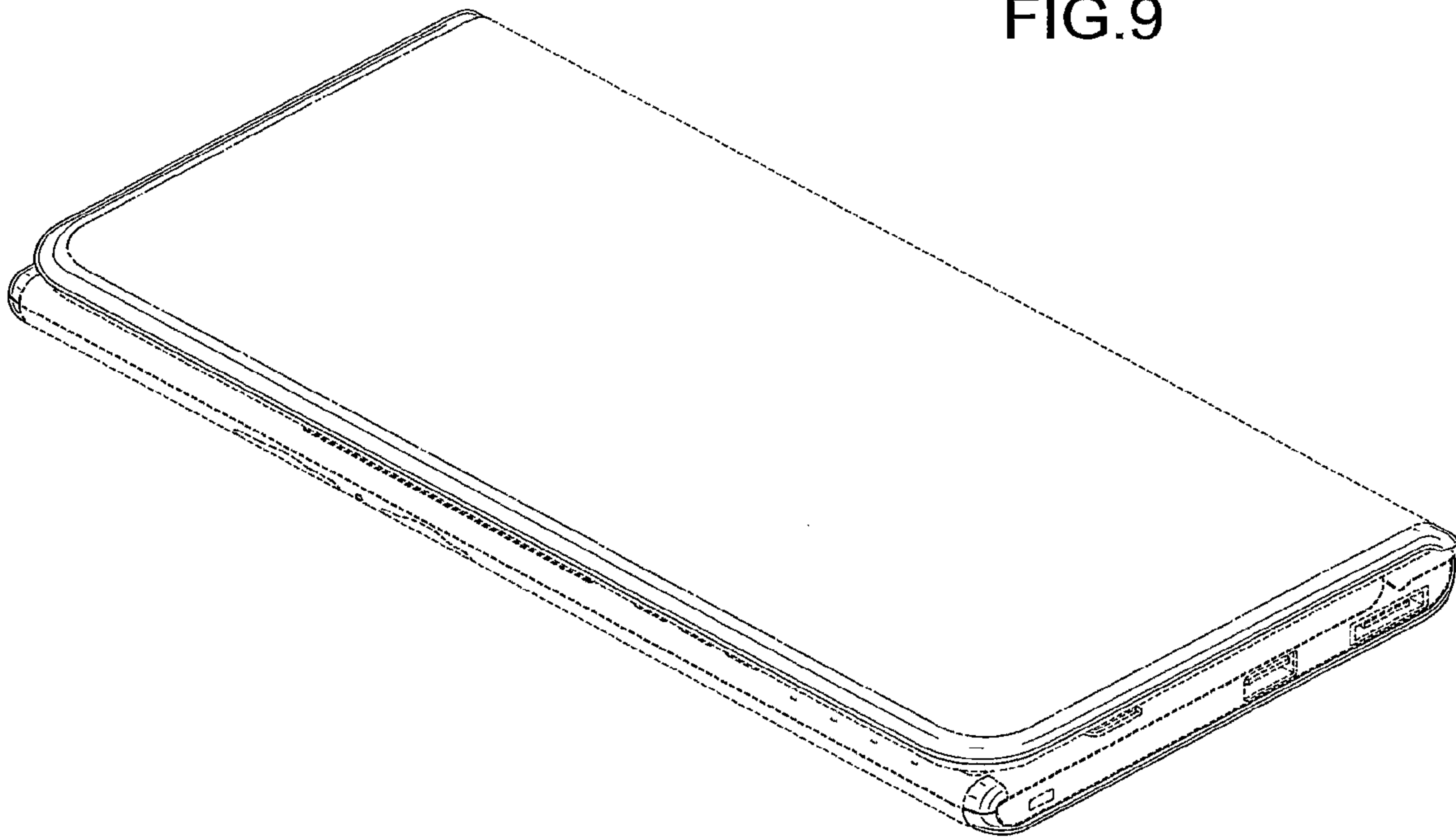


FIG.10

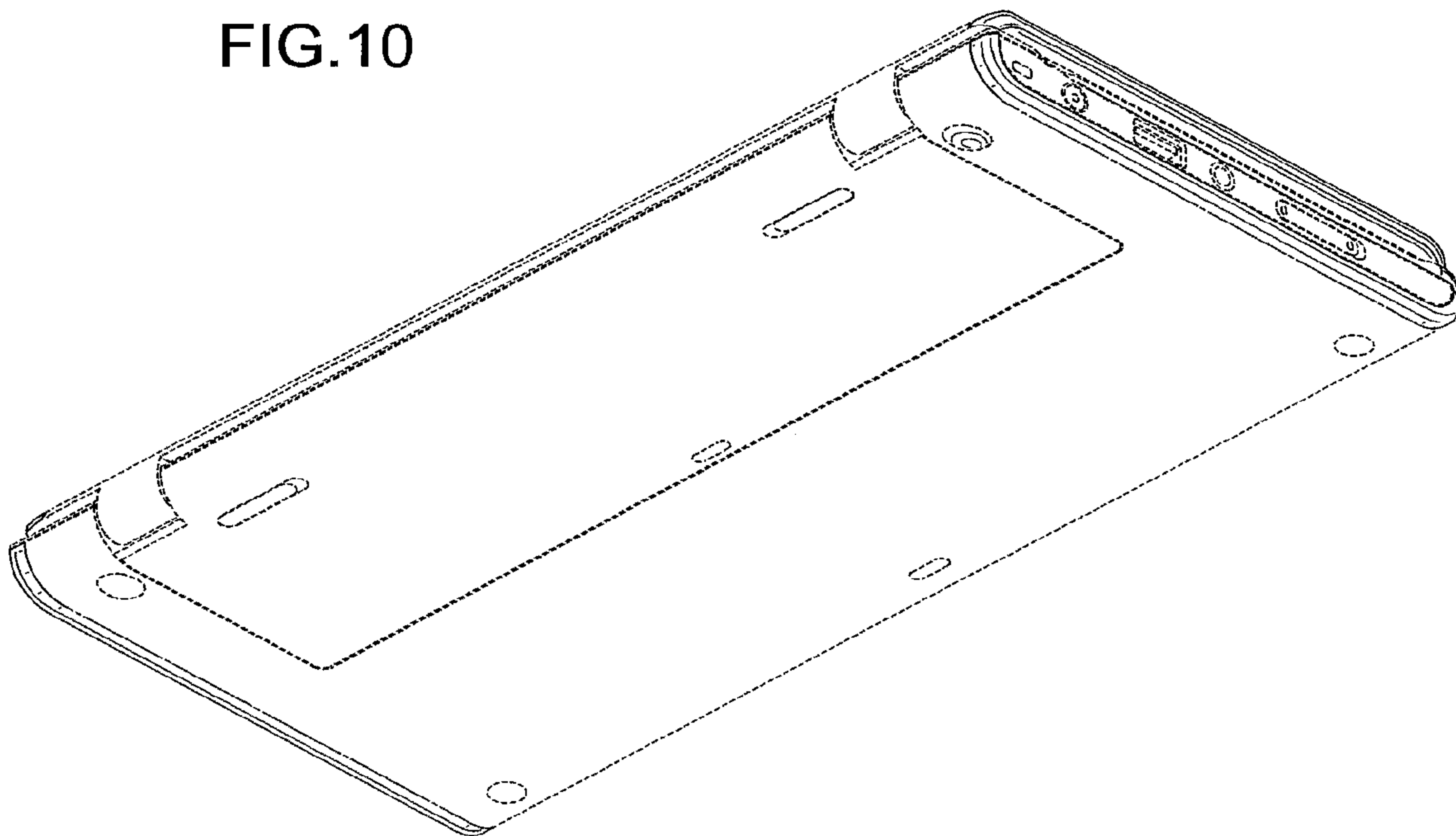




FIG.11

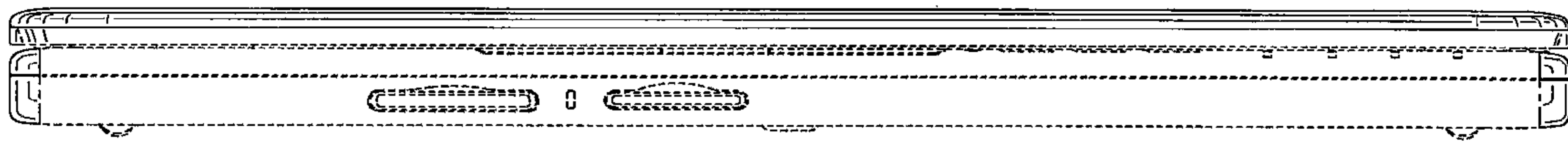
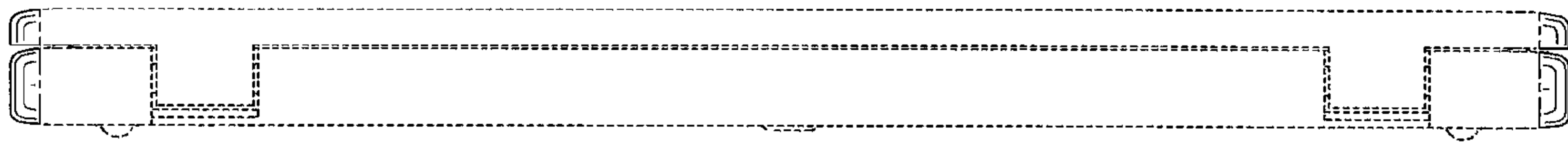
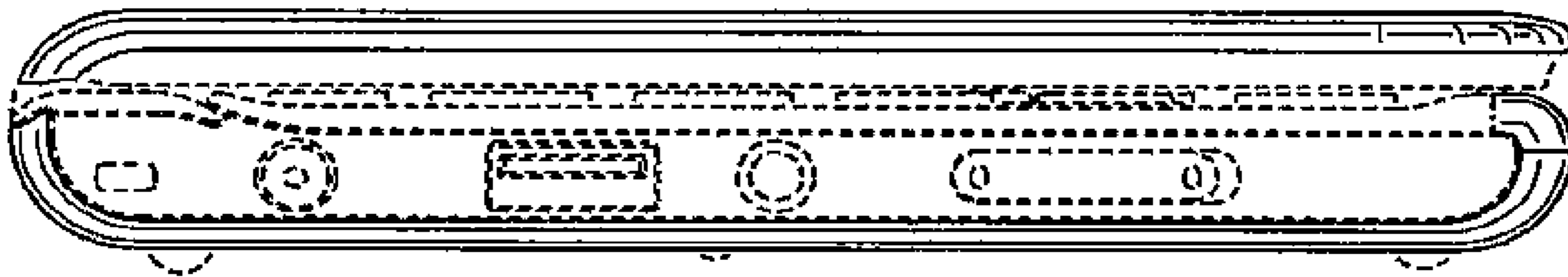


FIG.12



# FIG.13



# FIG.14

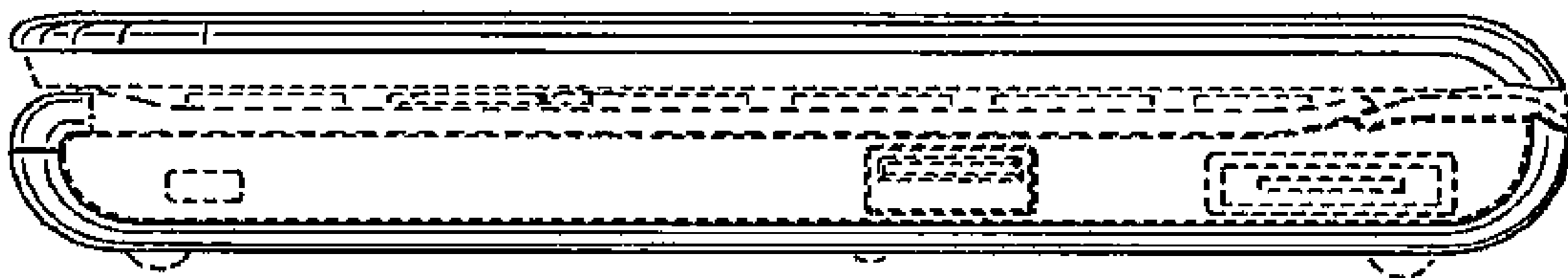


FIG.15

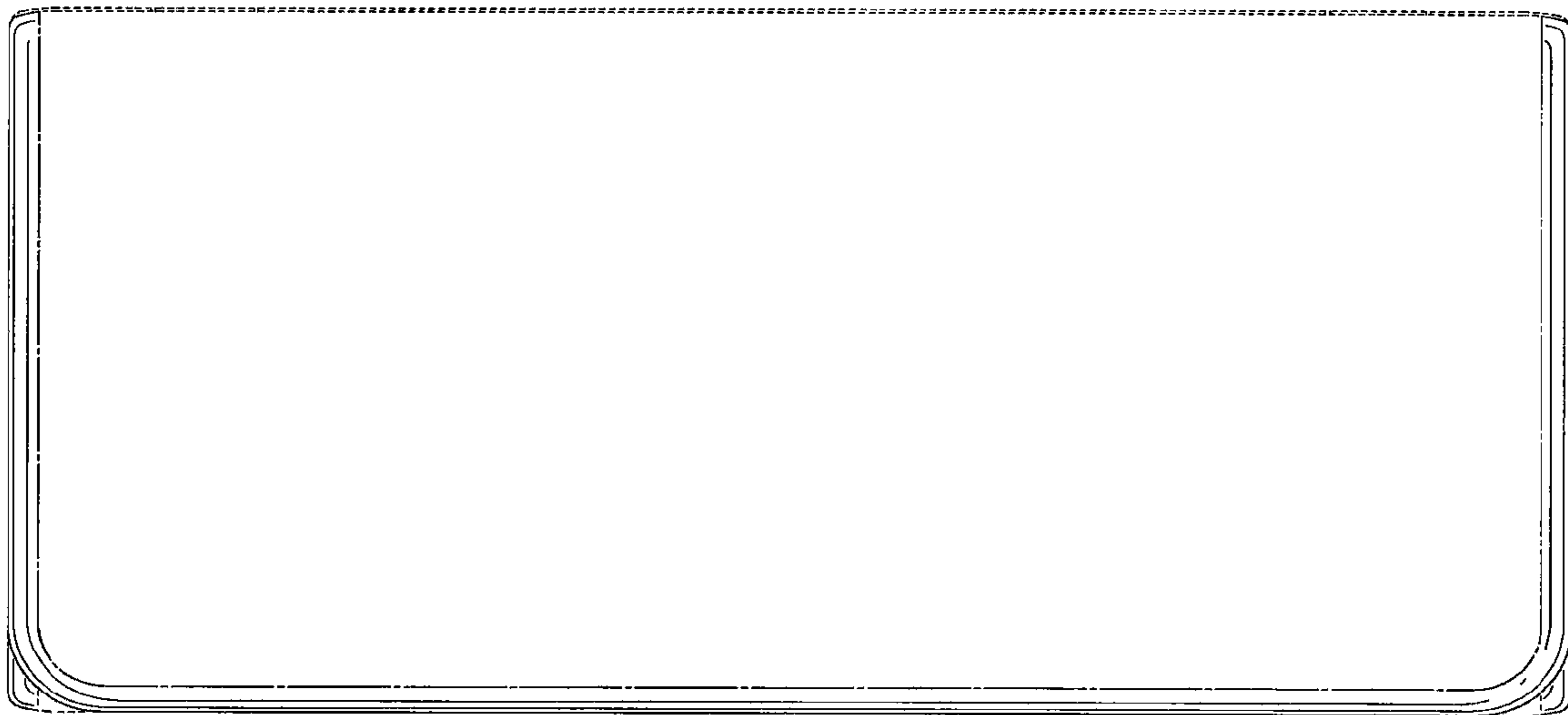


FIG.16

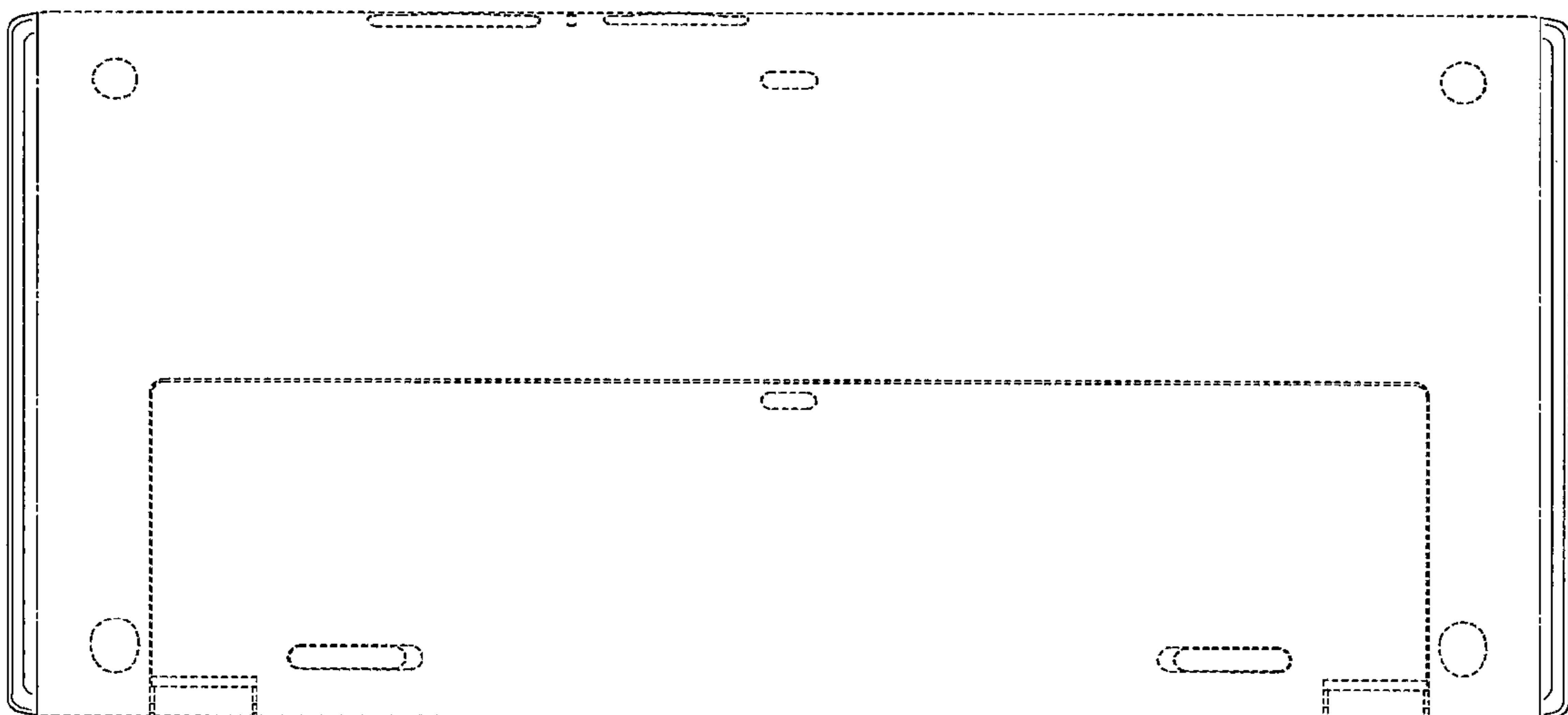


FIG.17

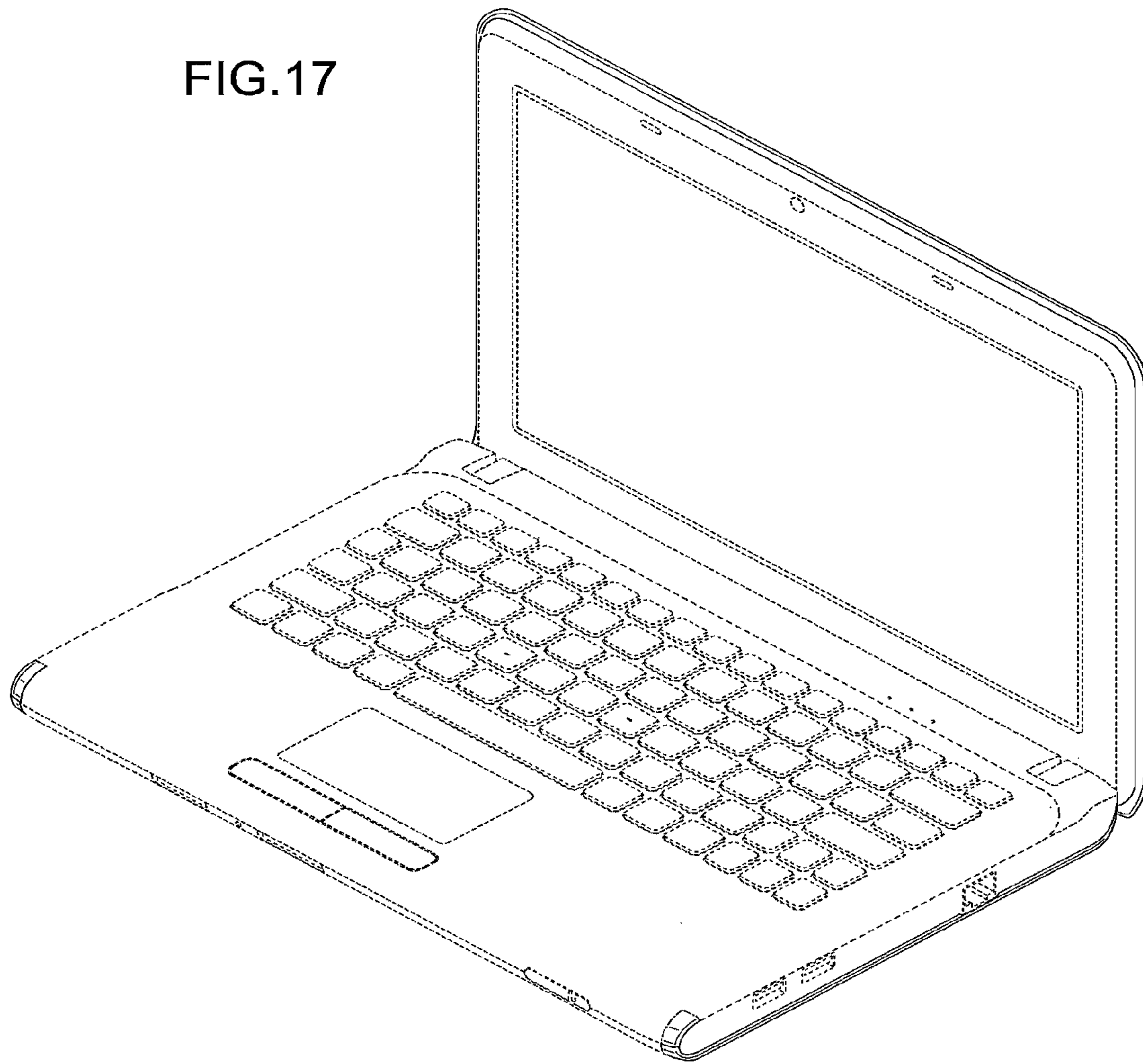


FIG.18

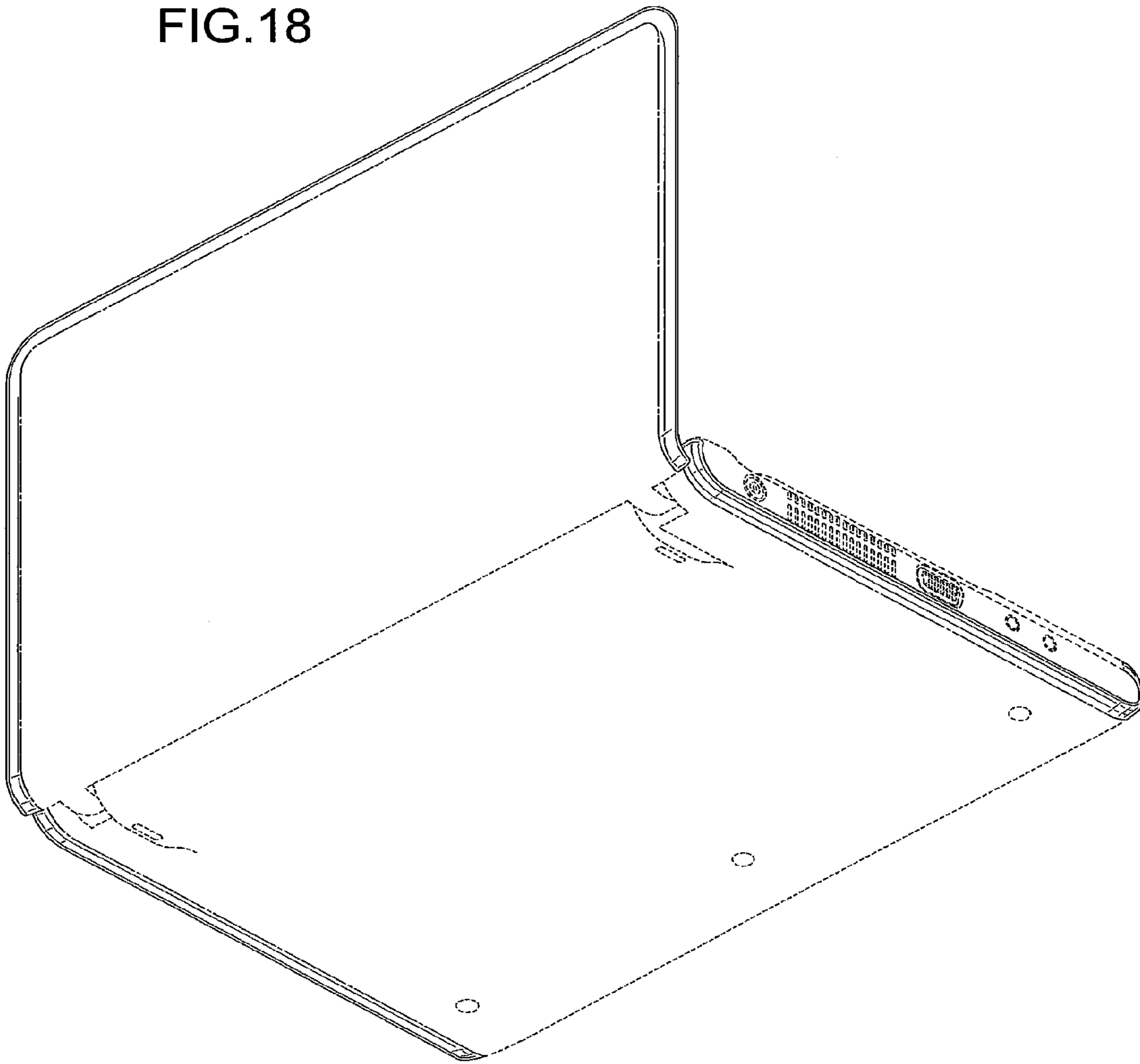


FIG.19

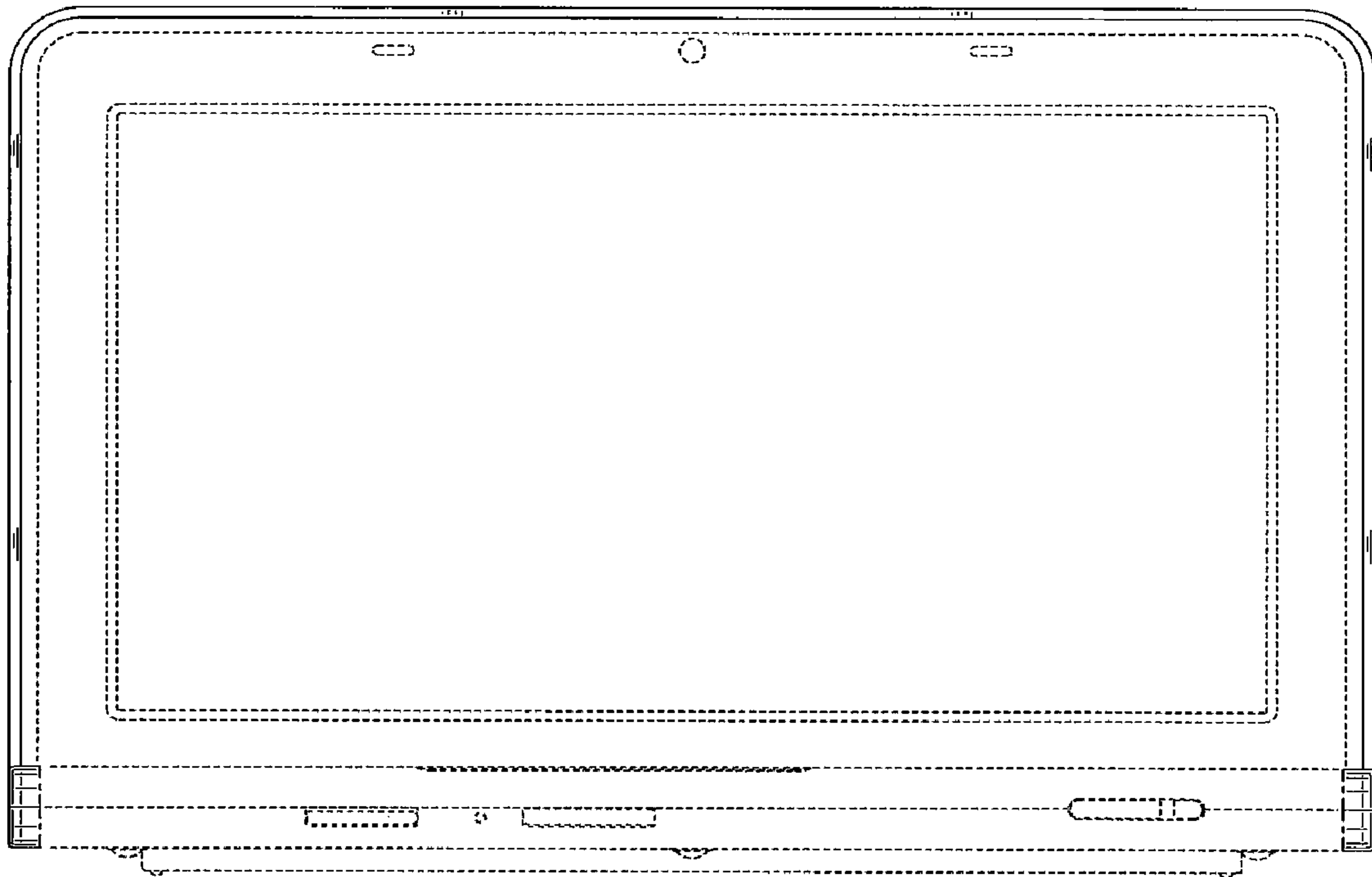


FIG.20

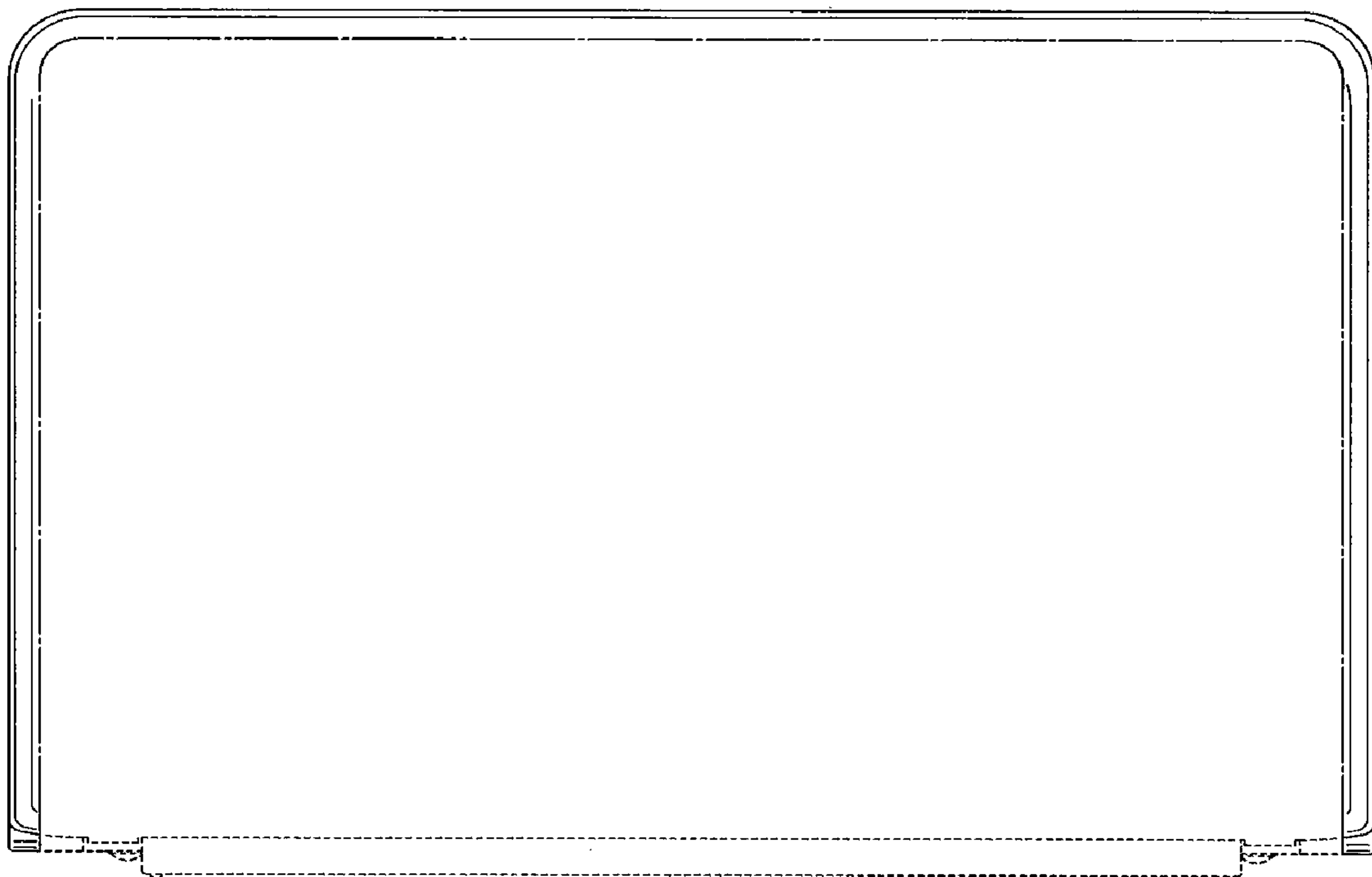


FIG.21

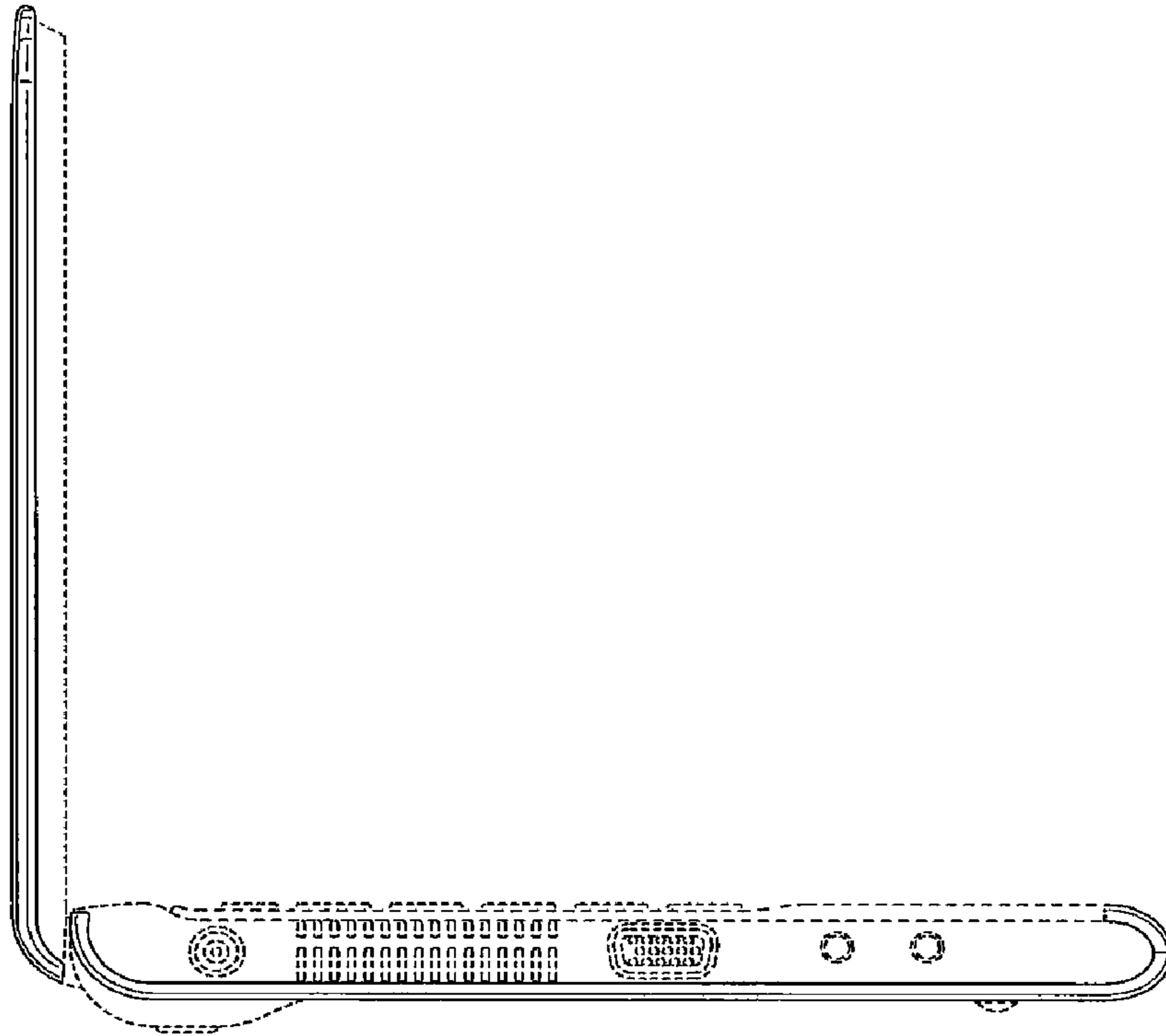


FIG.22

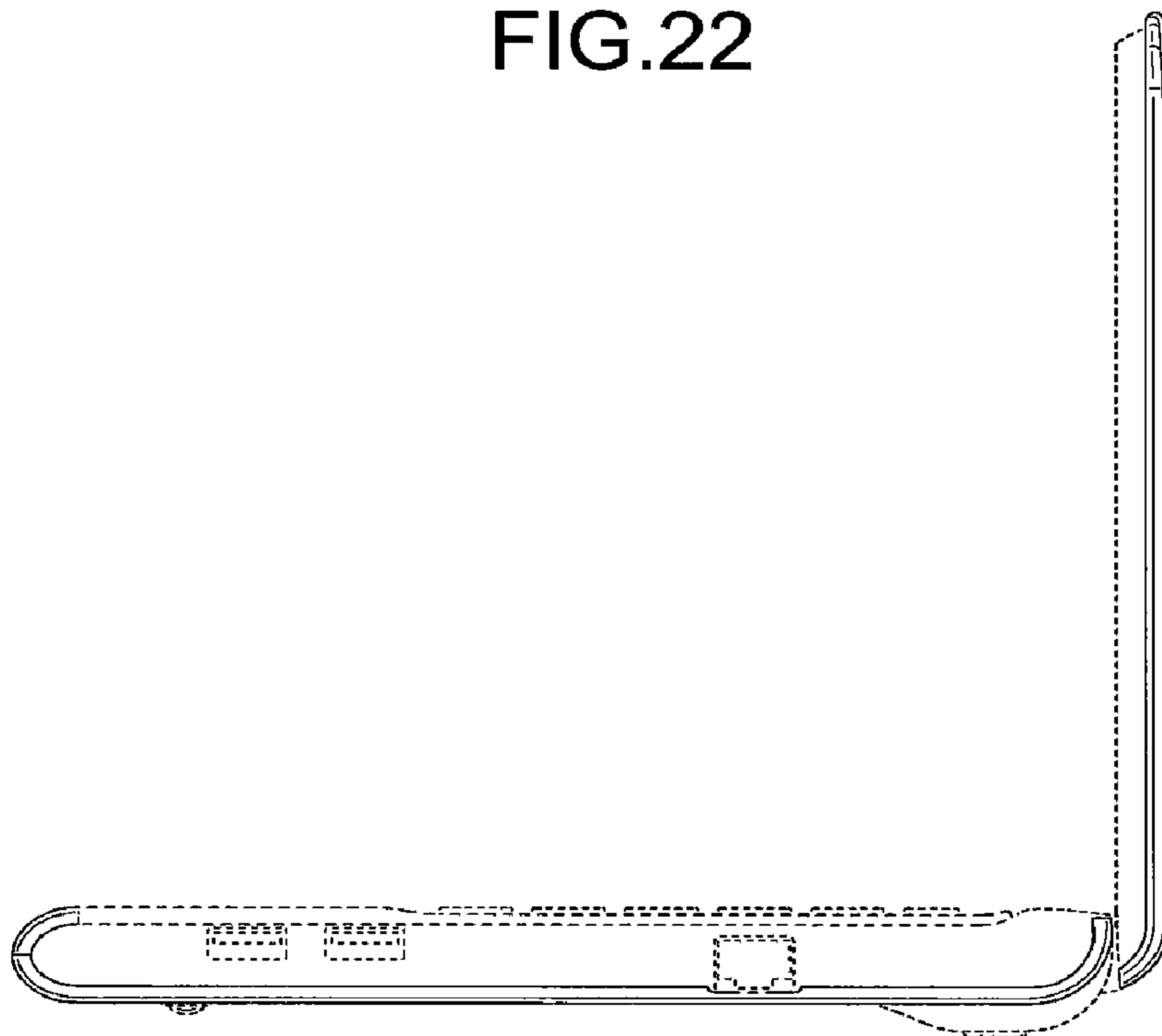


FIG.23

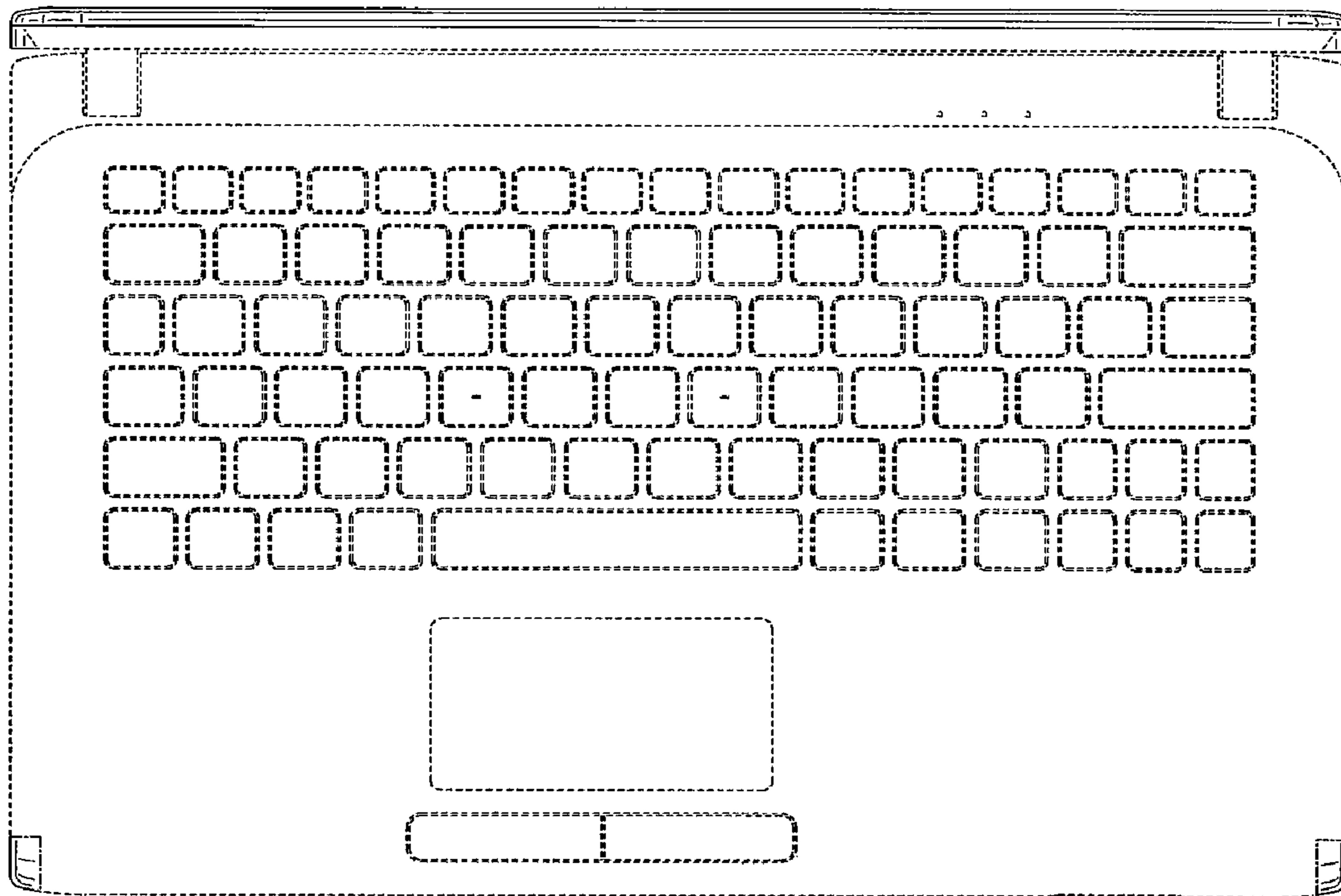


FIG.24

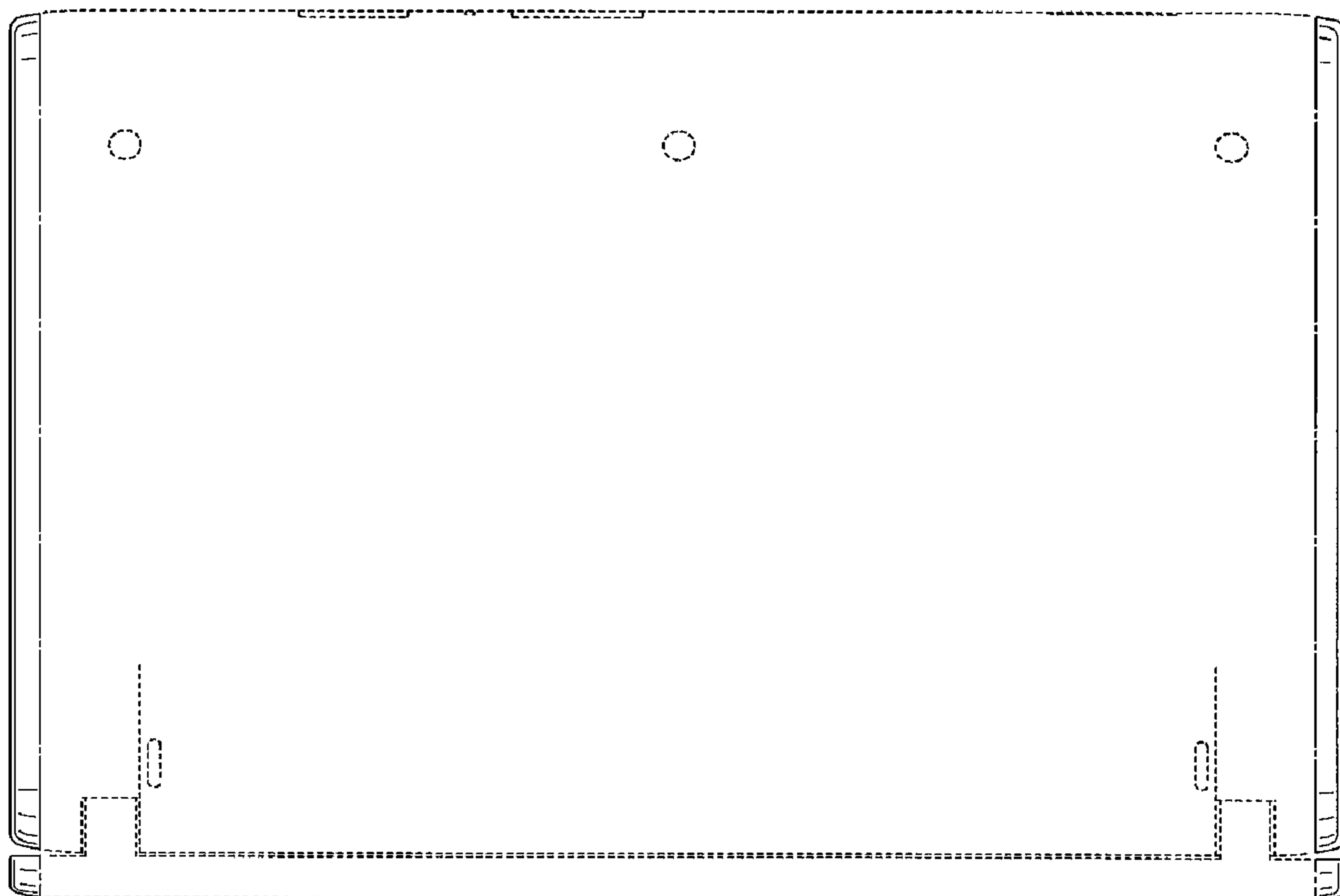




FIG.25

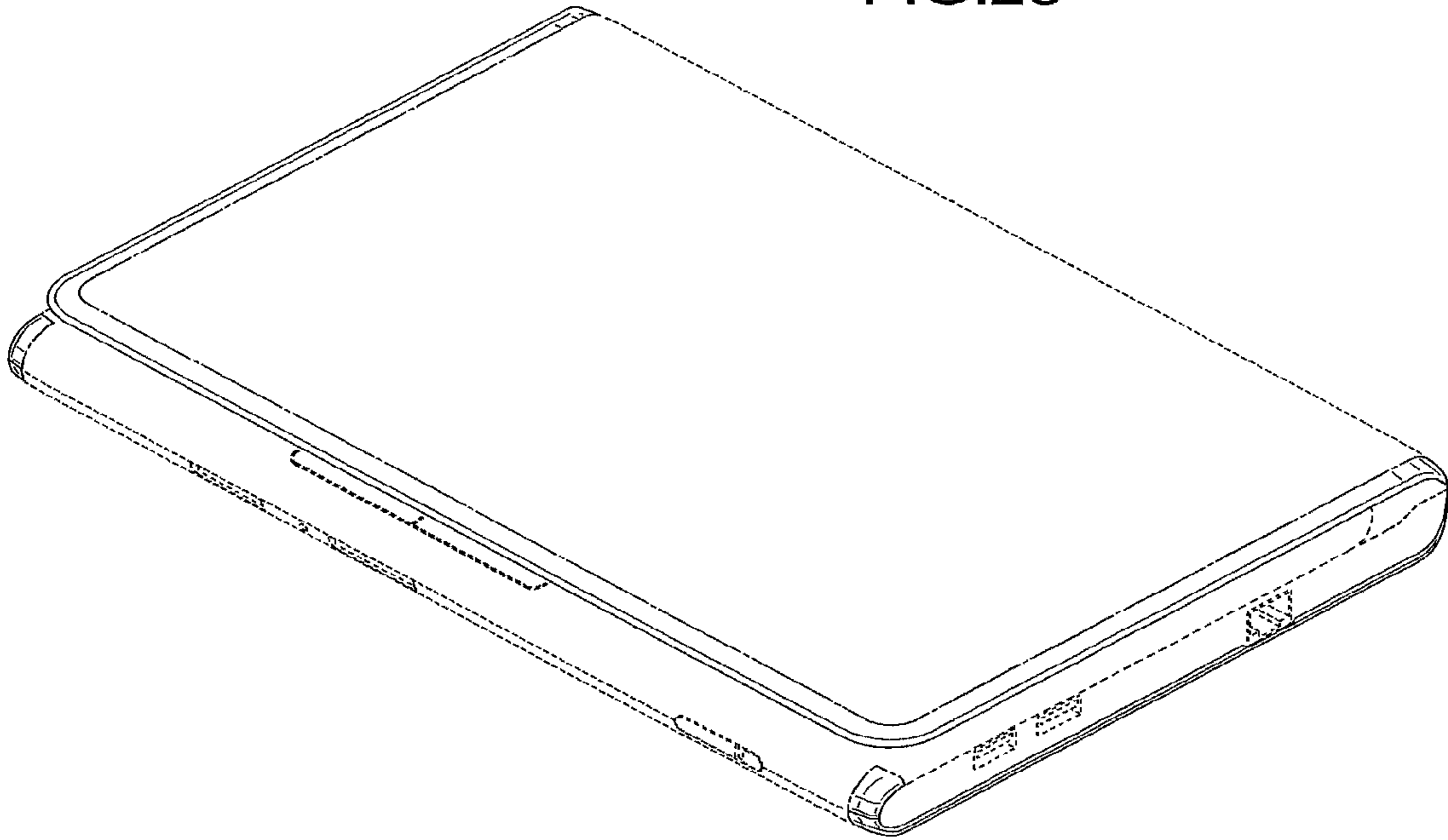


FIG.26

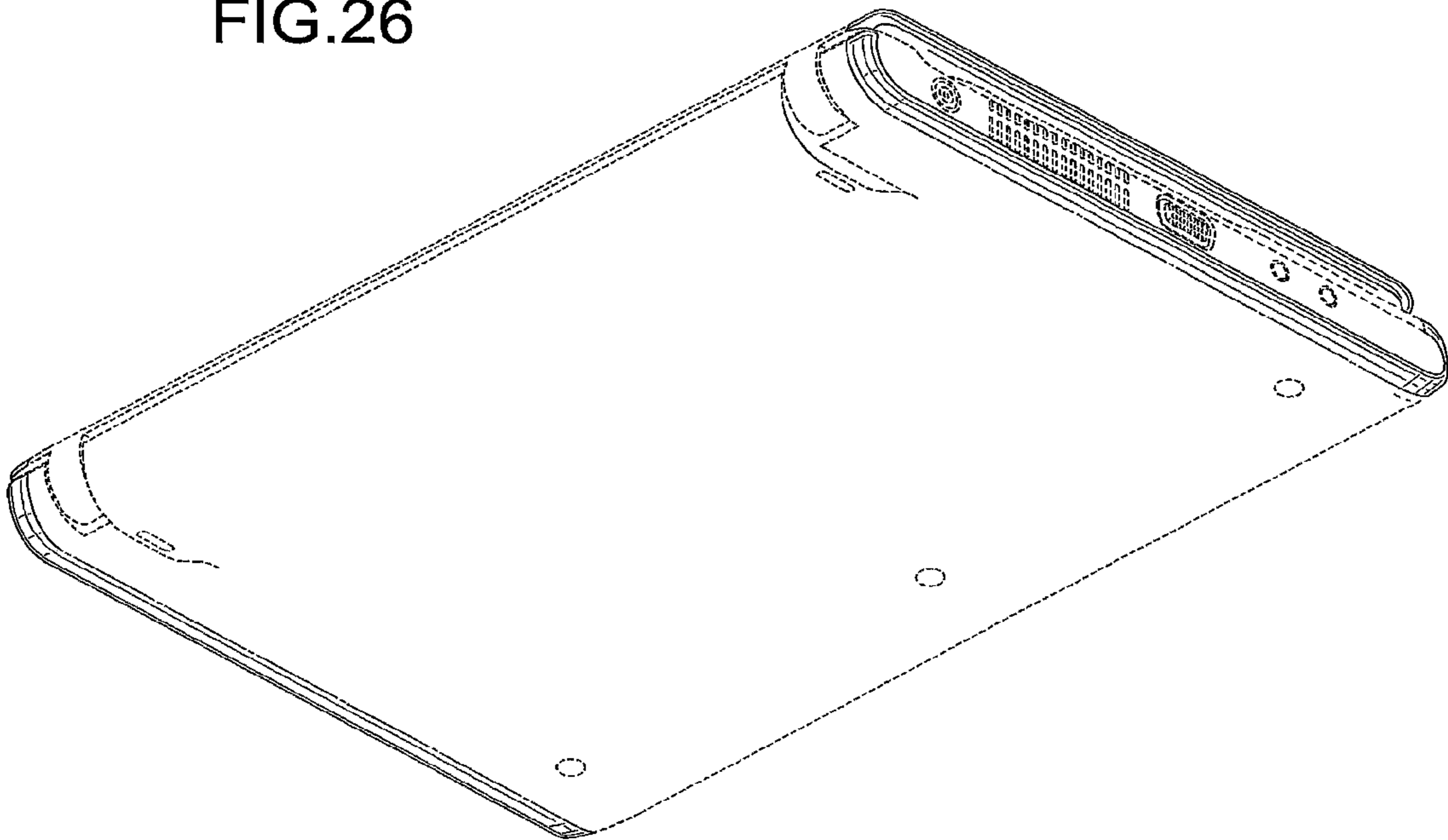


FIG.27

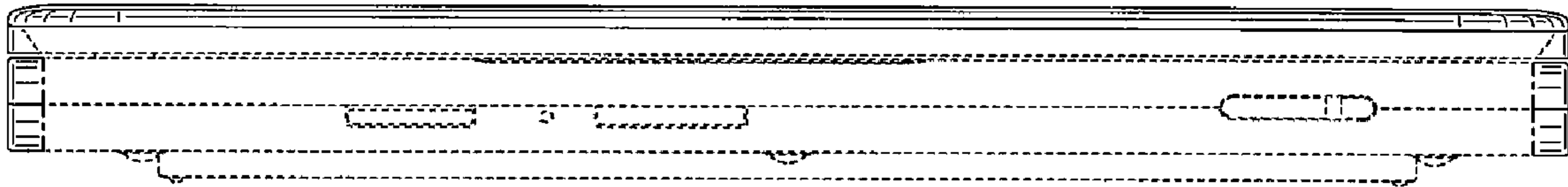


FIG.28

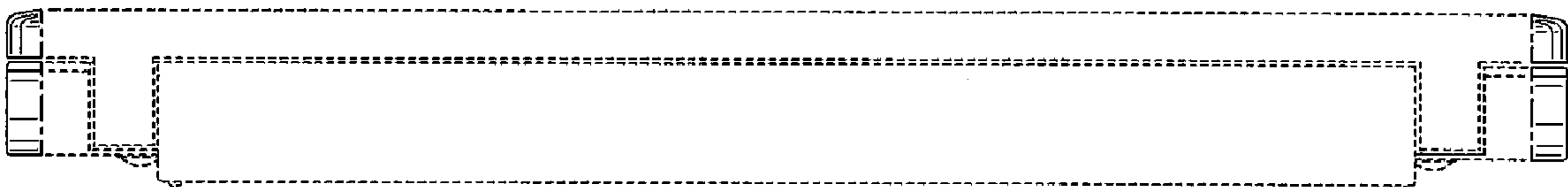


FIG.29

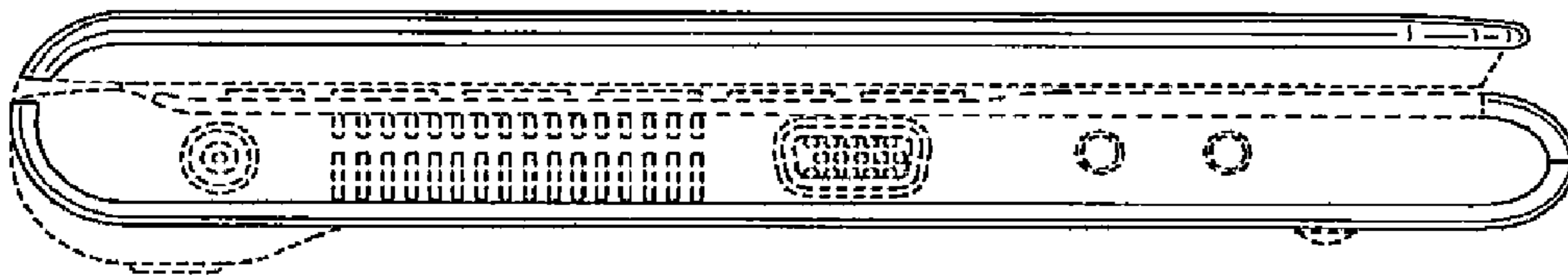


FIG.30

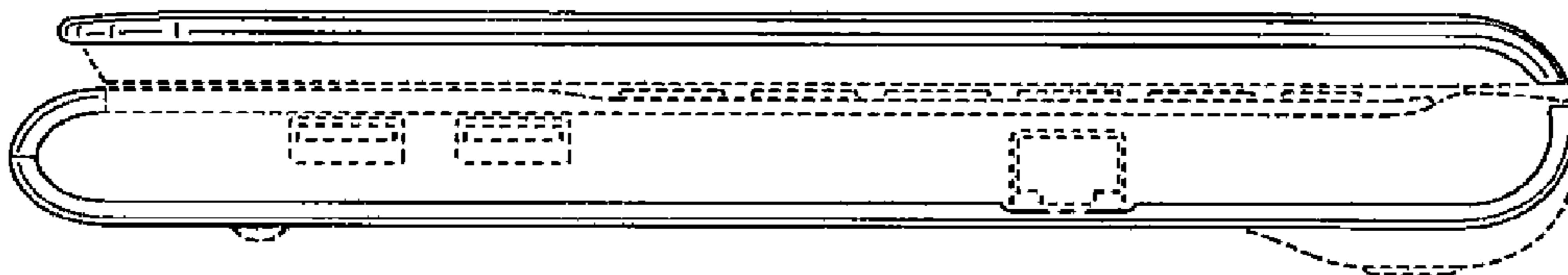


FIG.31

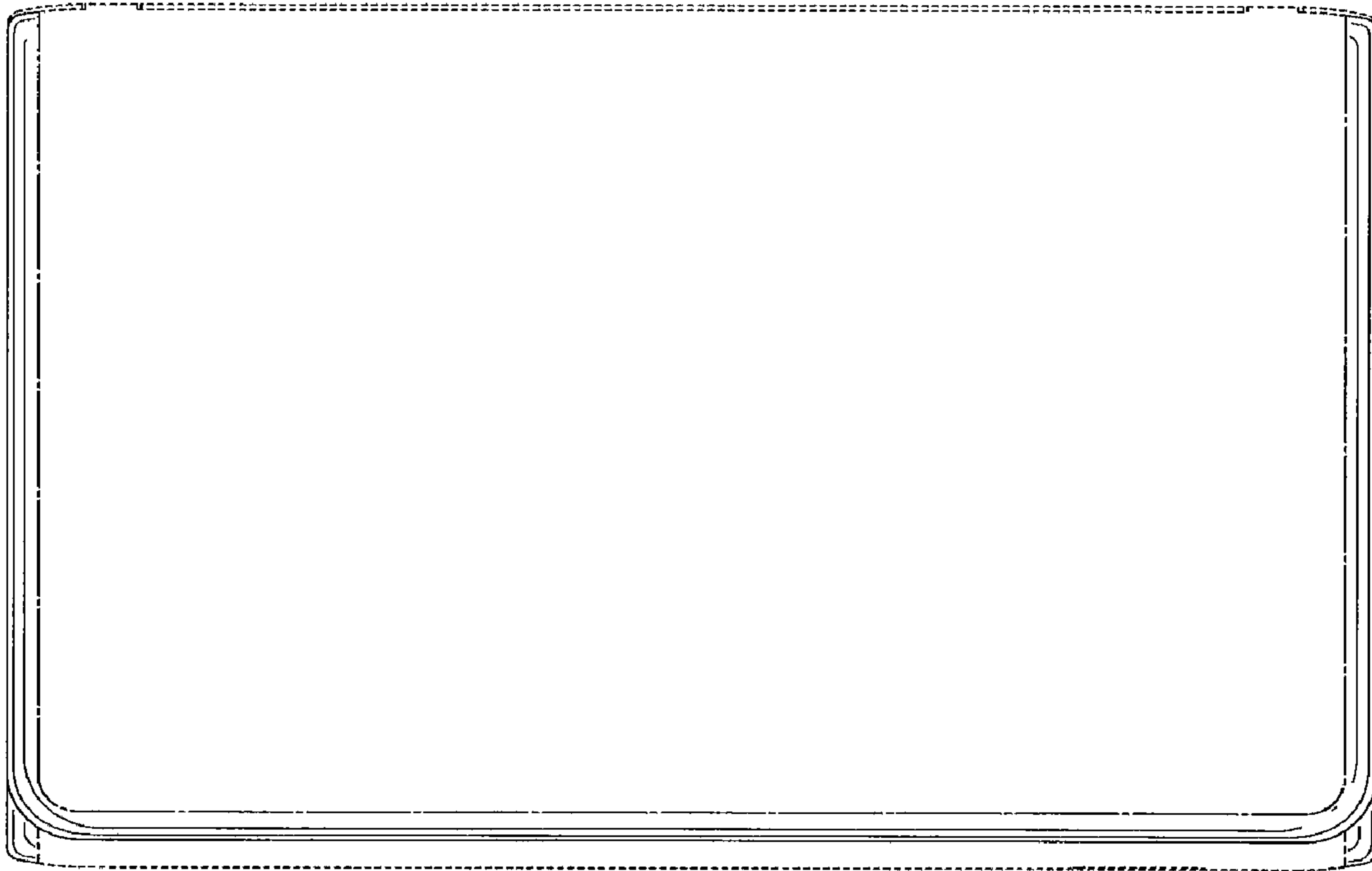


FIG.32

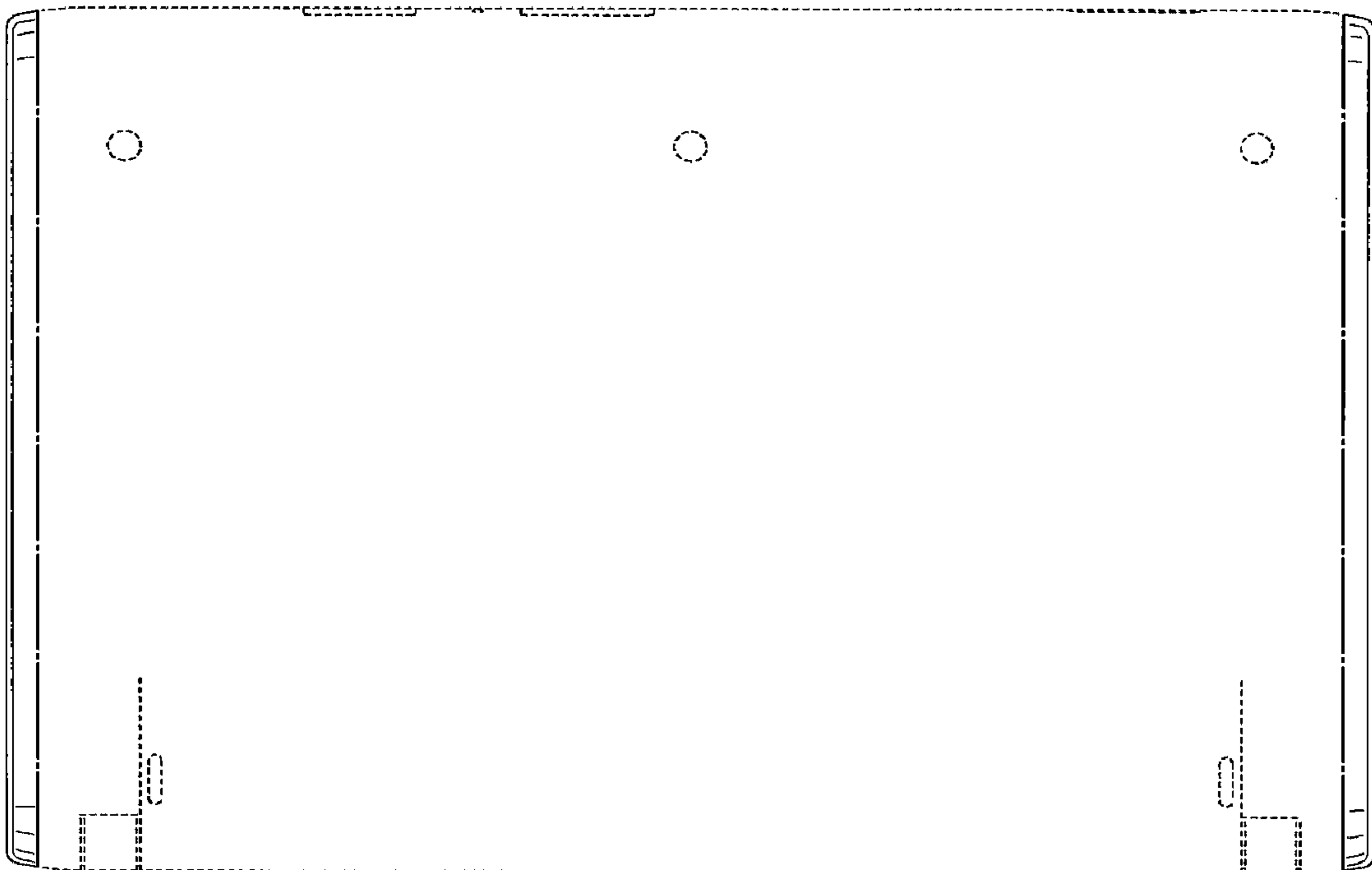


FIG.33

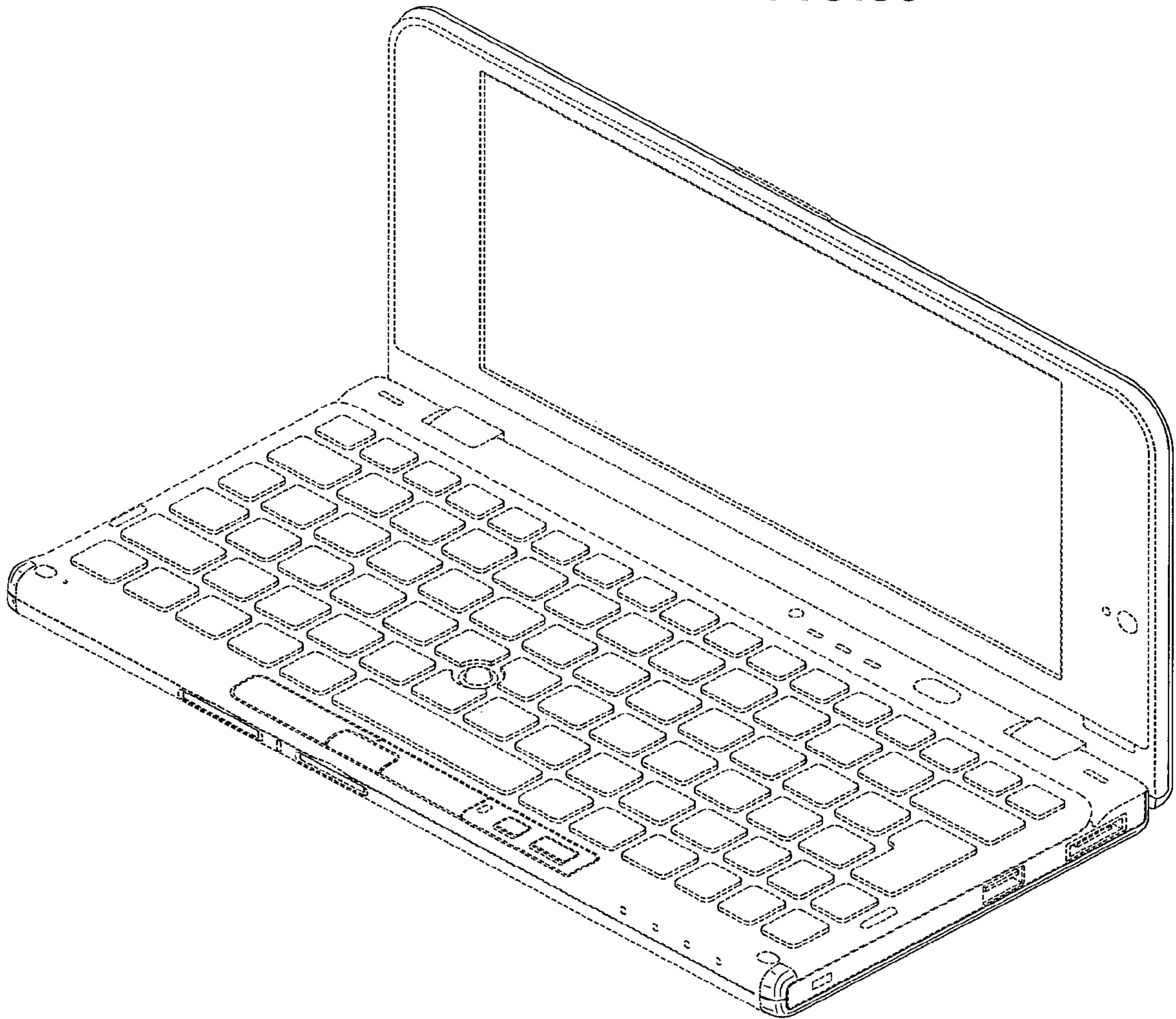


FIG.34

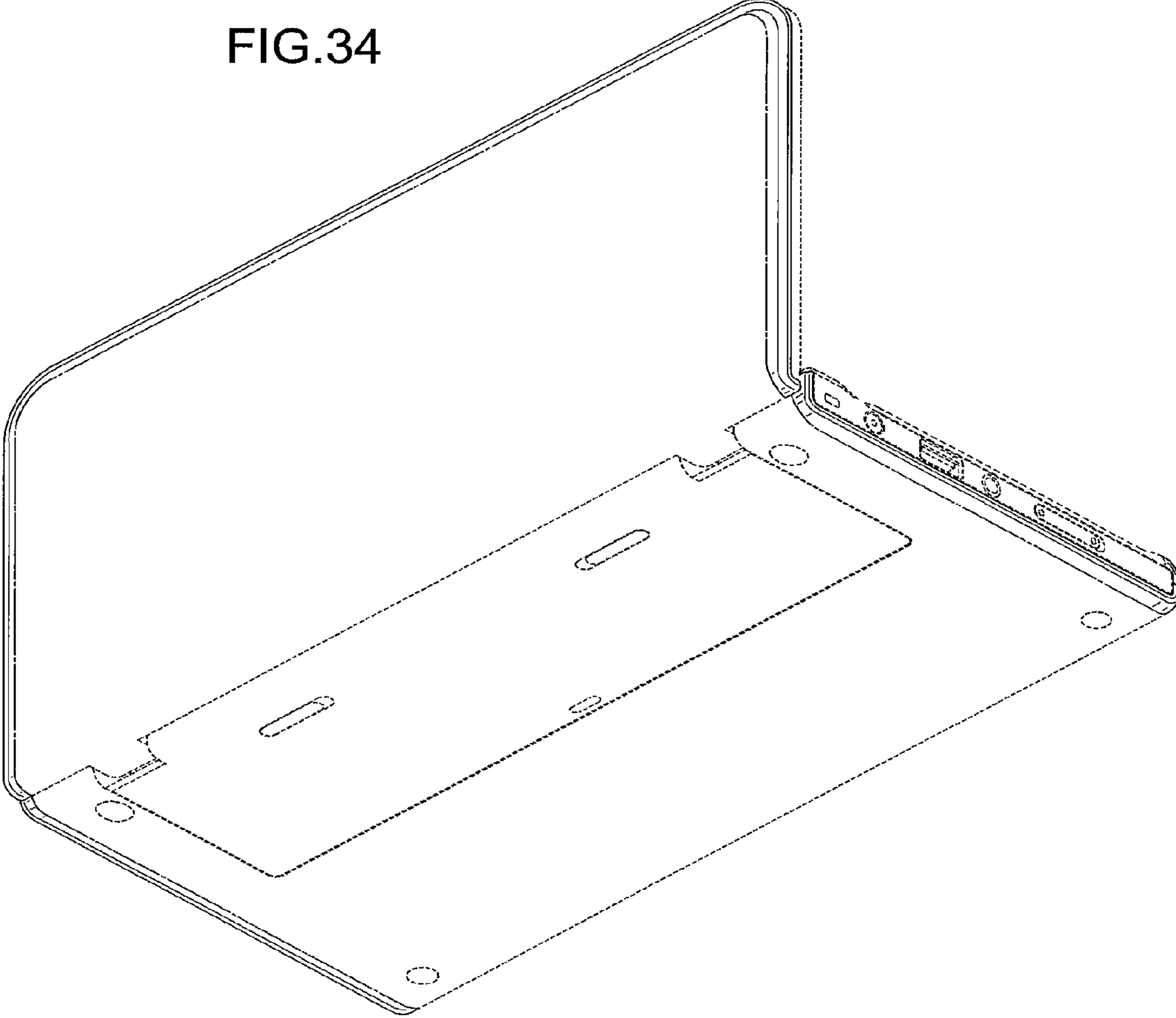


FIG.35

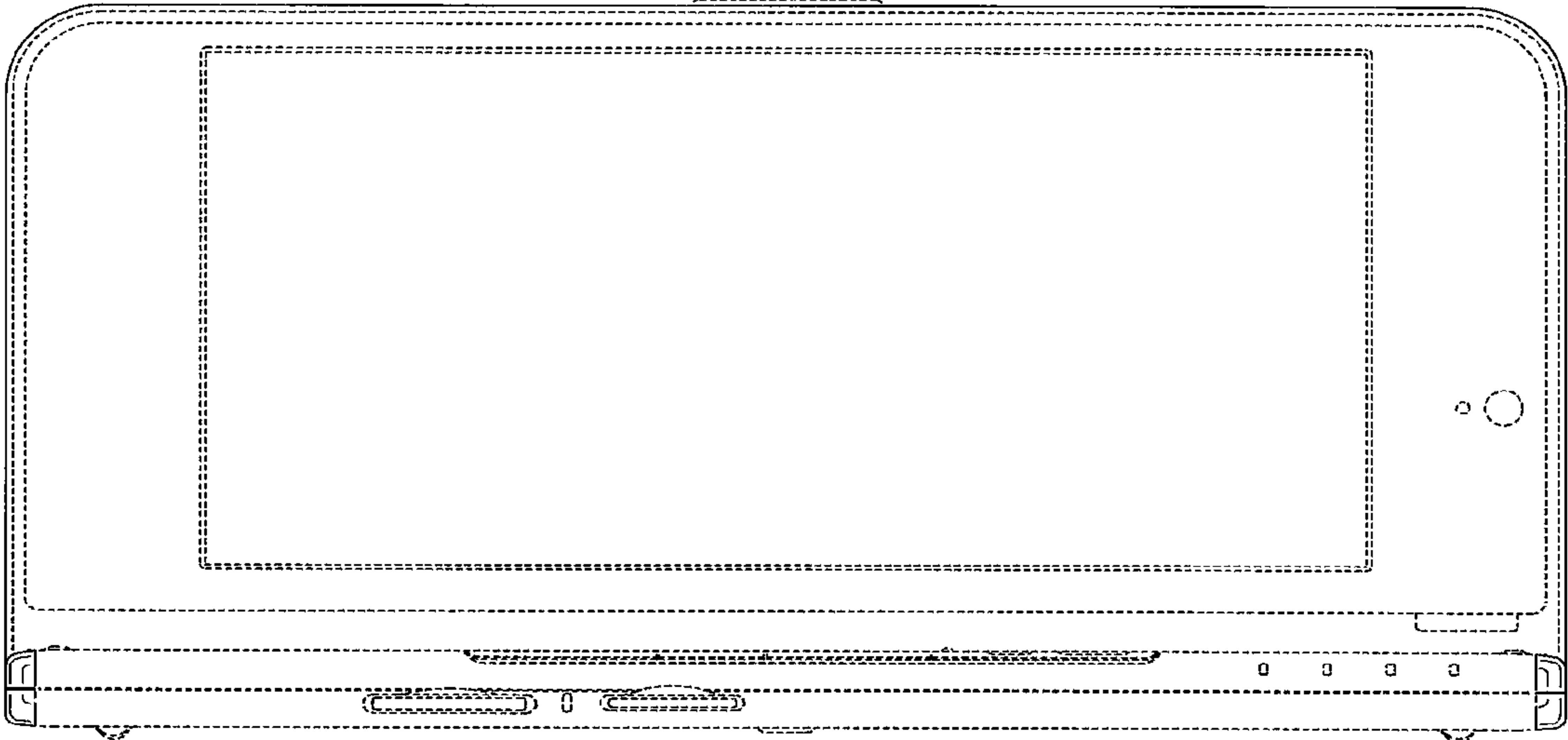


FIG.36

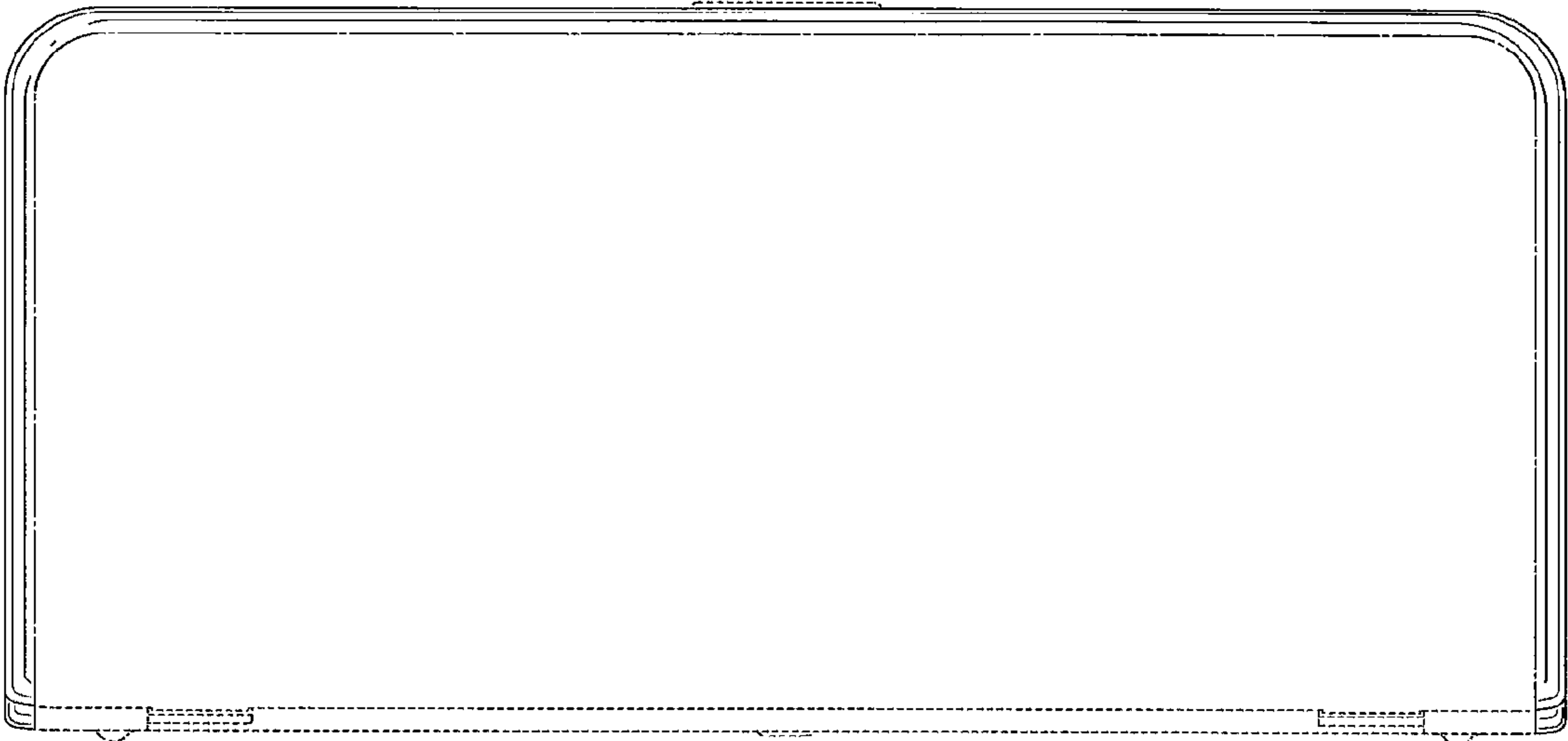


FIG.37

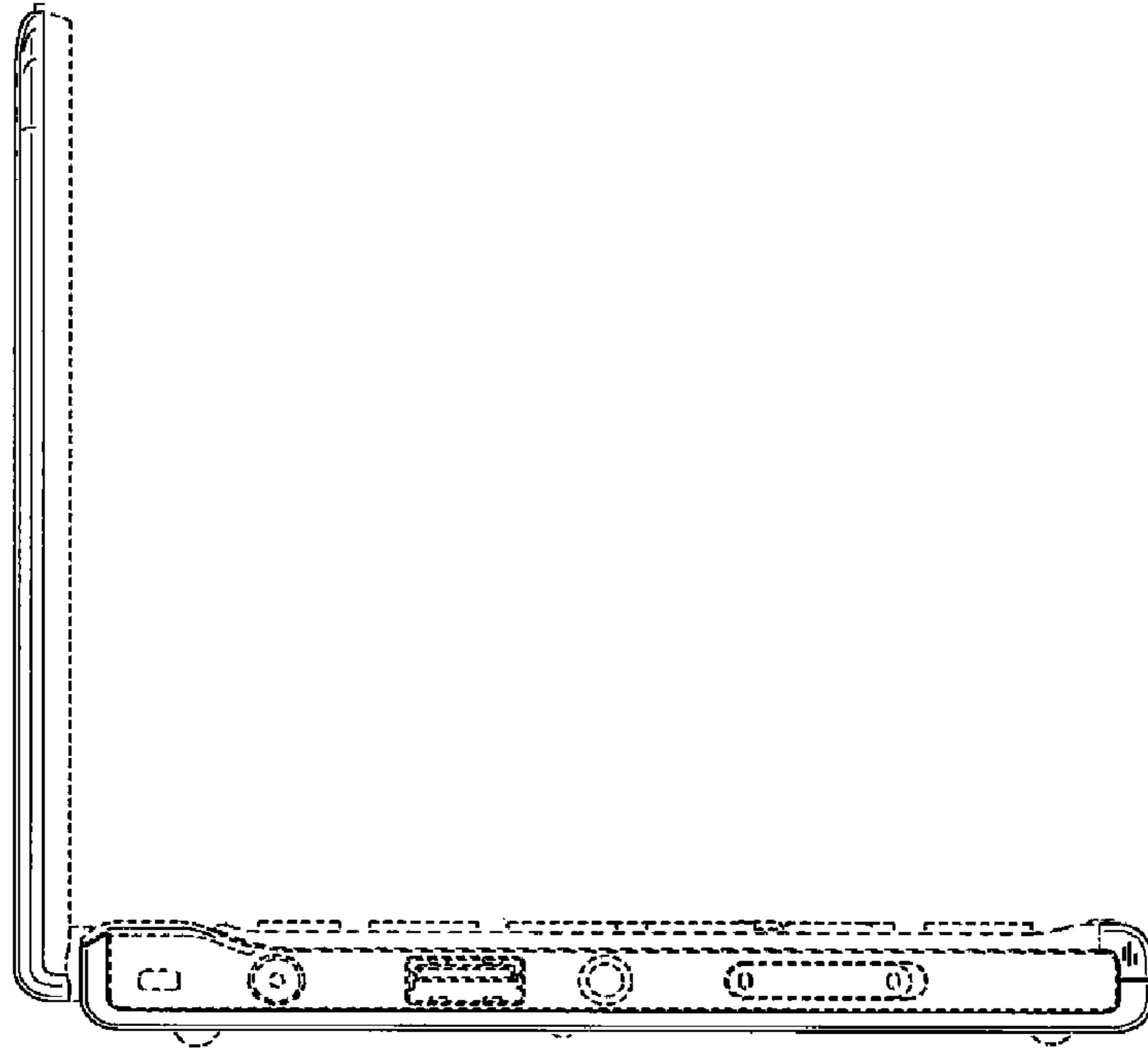


FIG.38

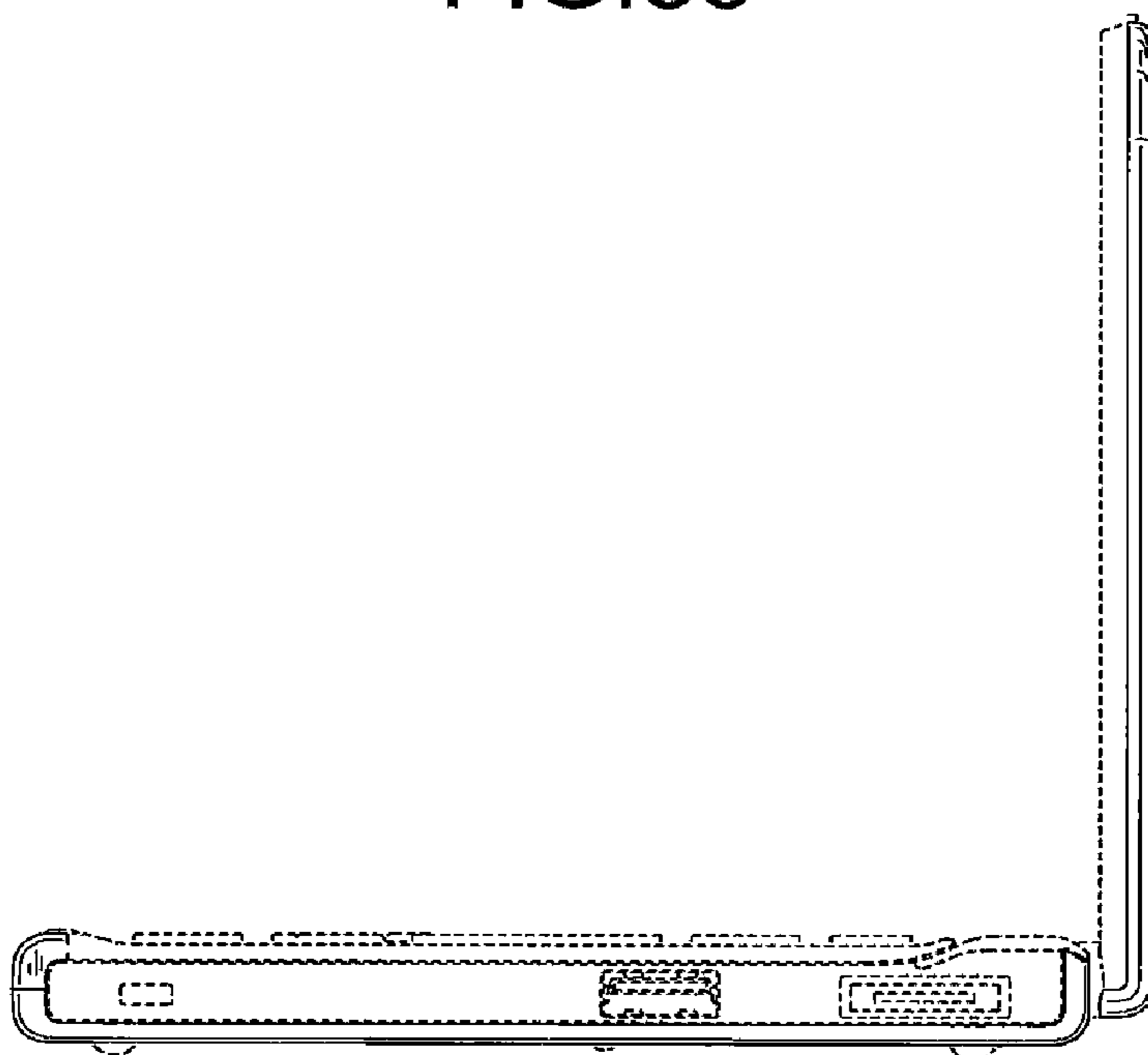




FIG.39

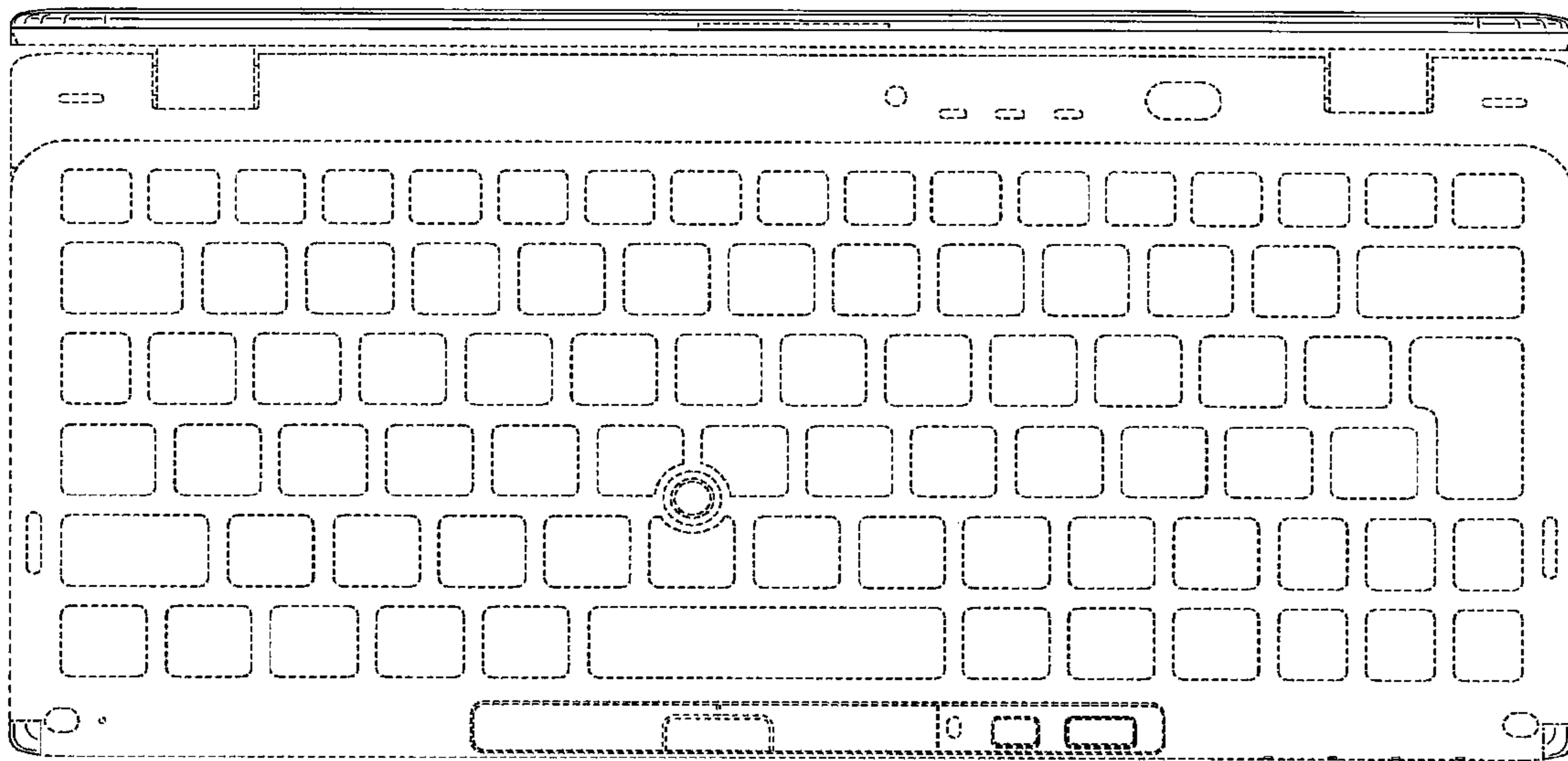


FIG.40

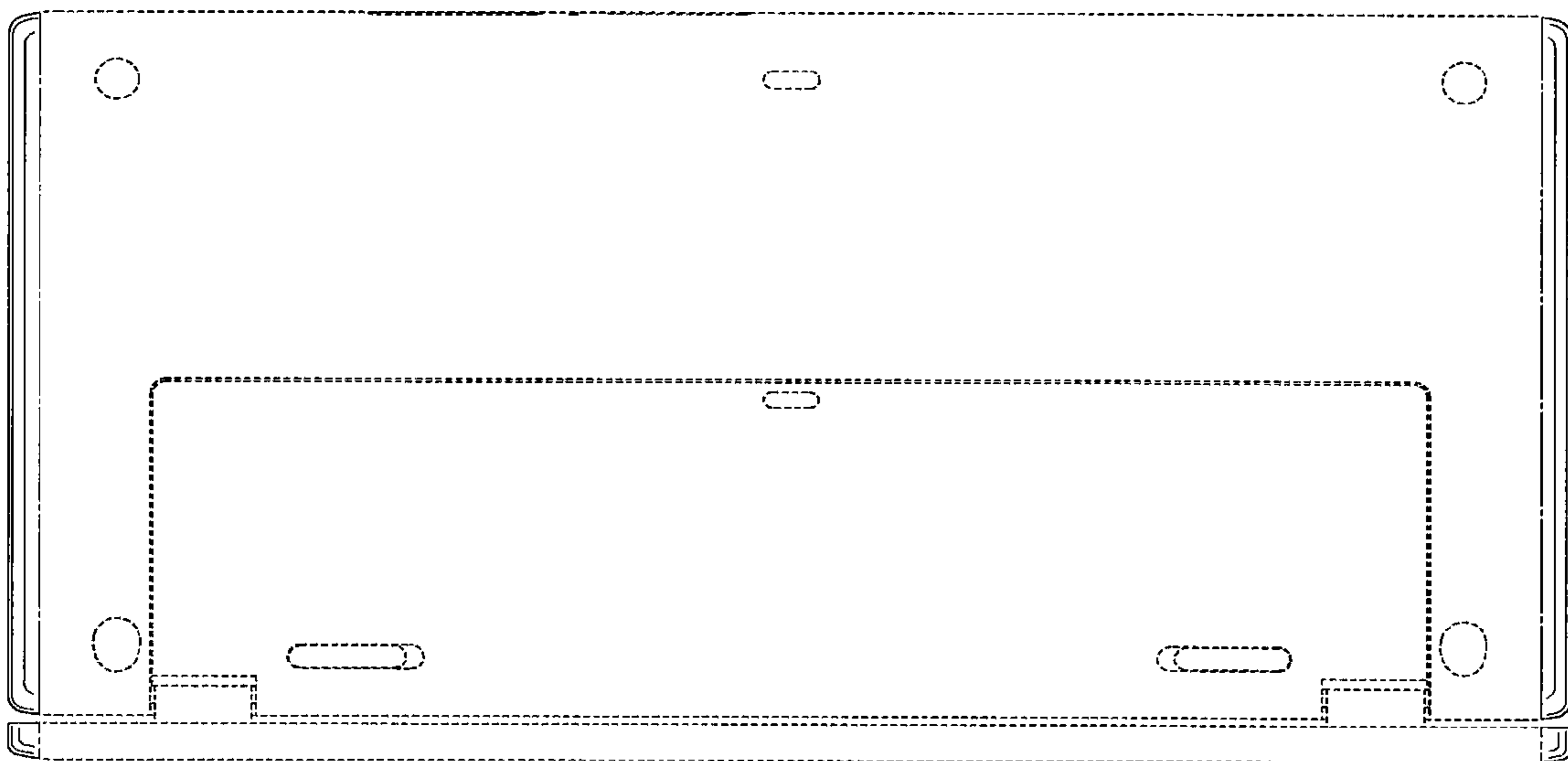


FIG.41

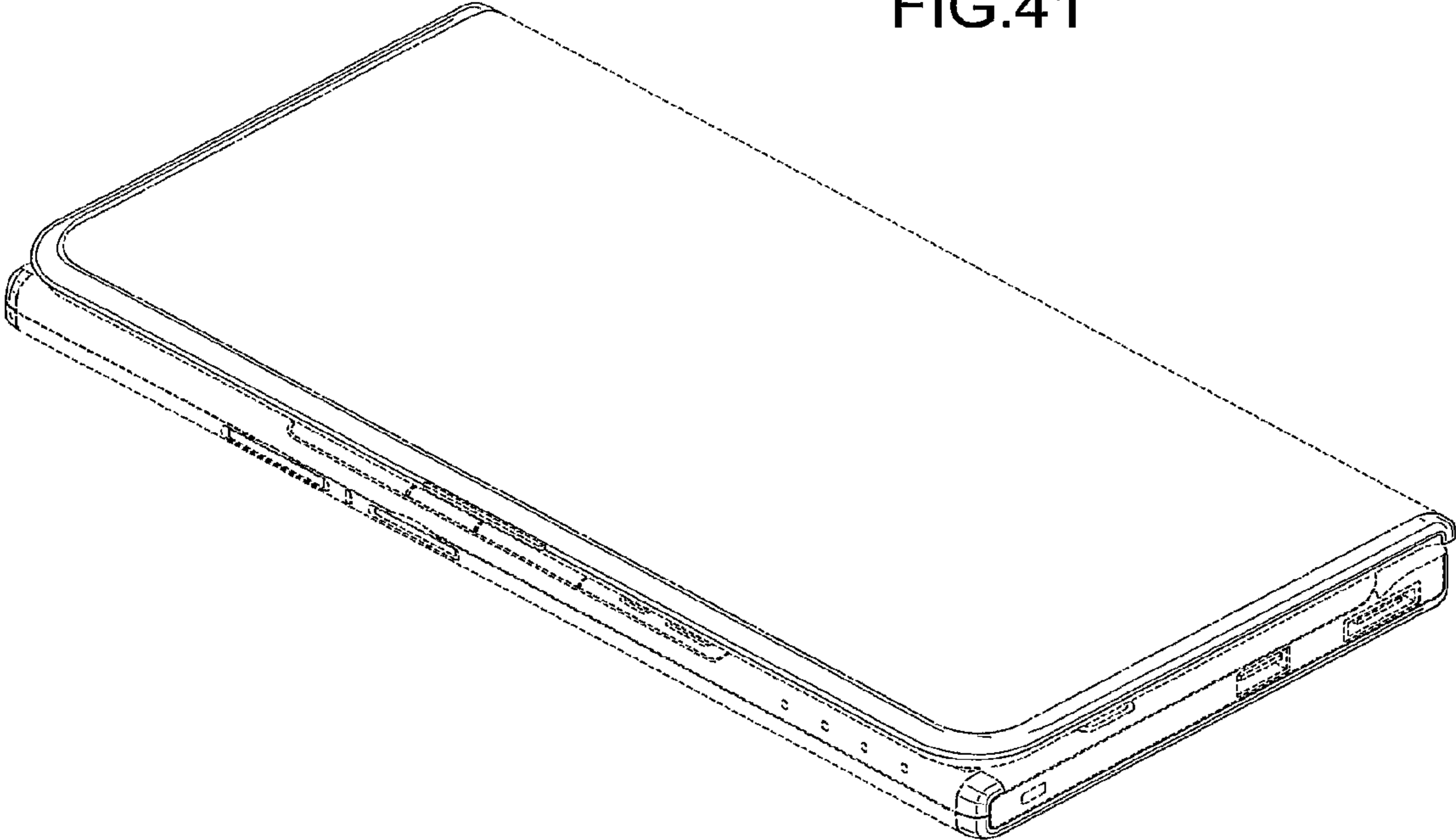


FIG.42

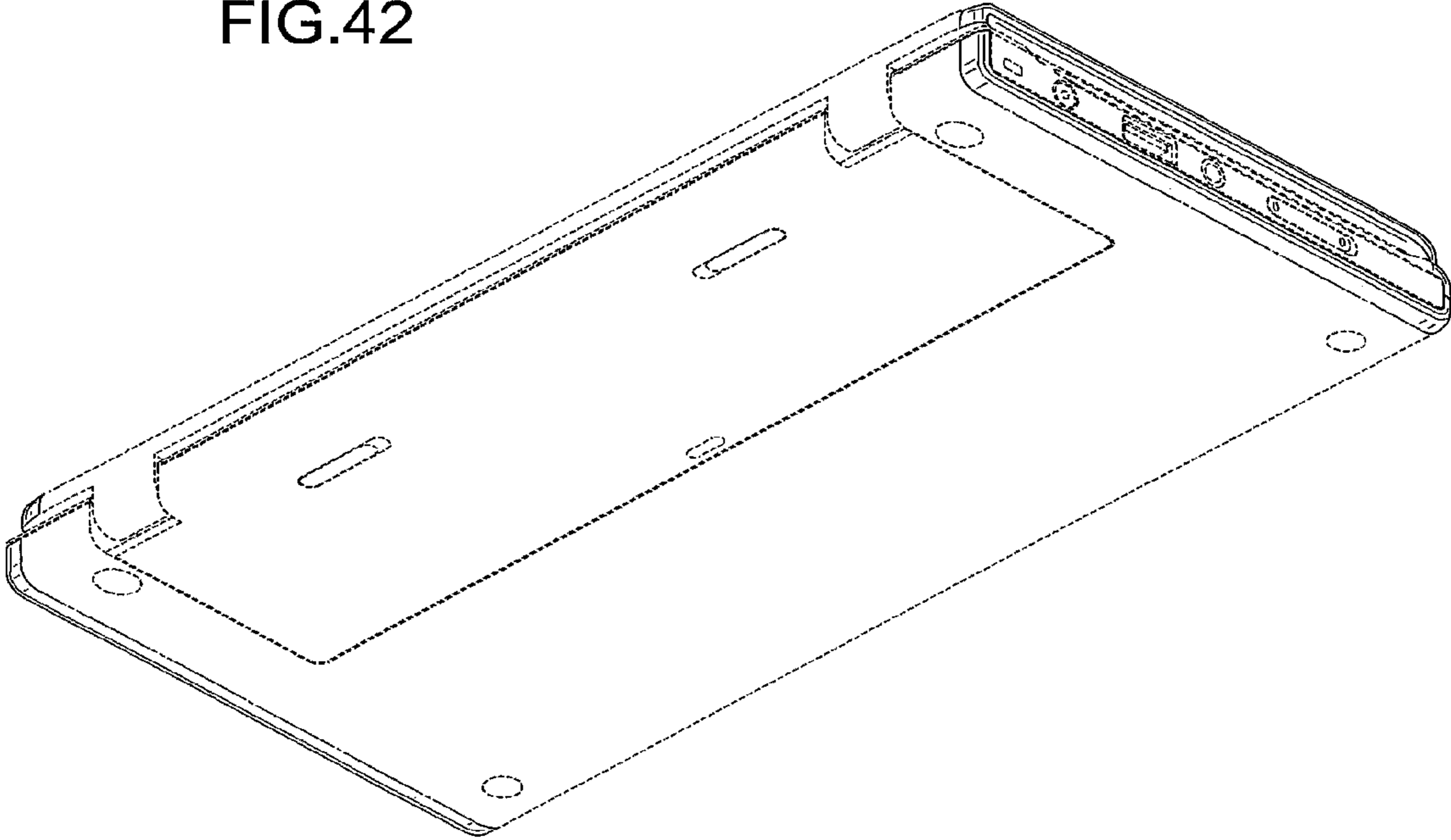


FIG.43

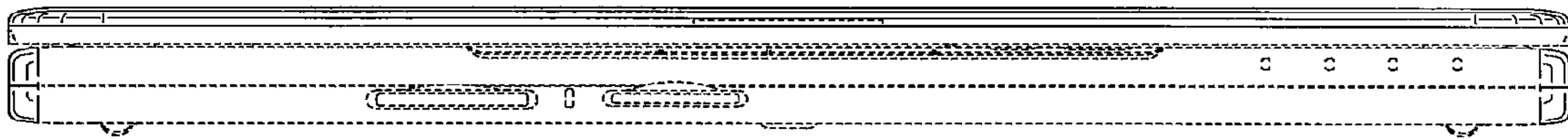


FIG.44

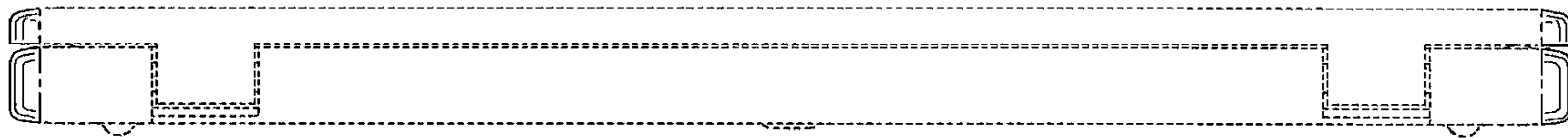


FIG.45

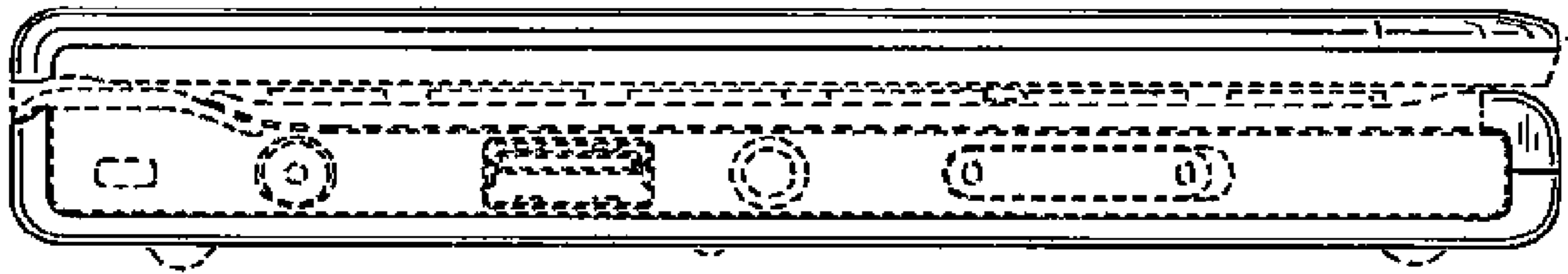


FIG.46

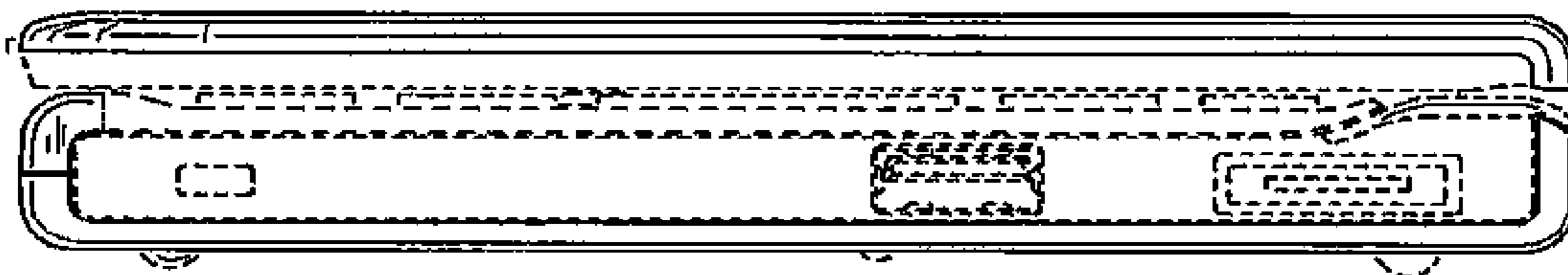


FIG.47

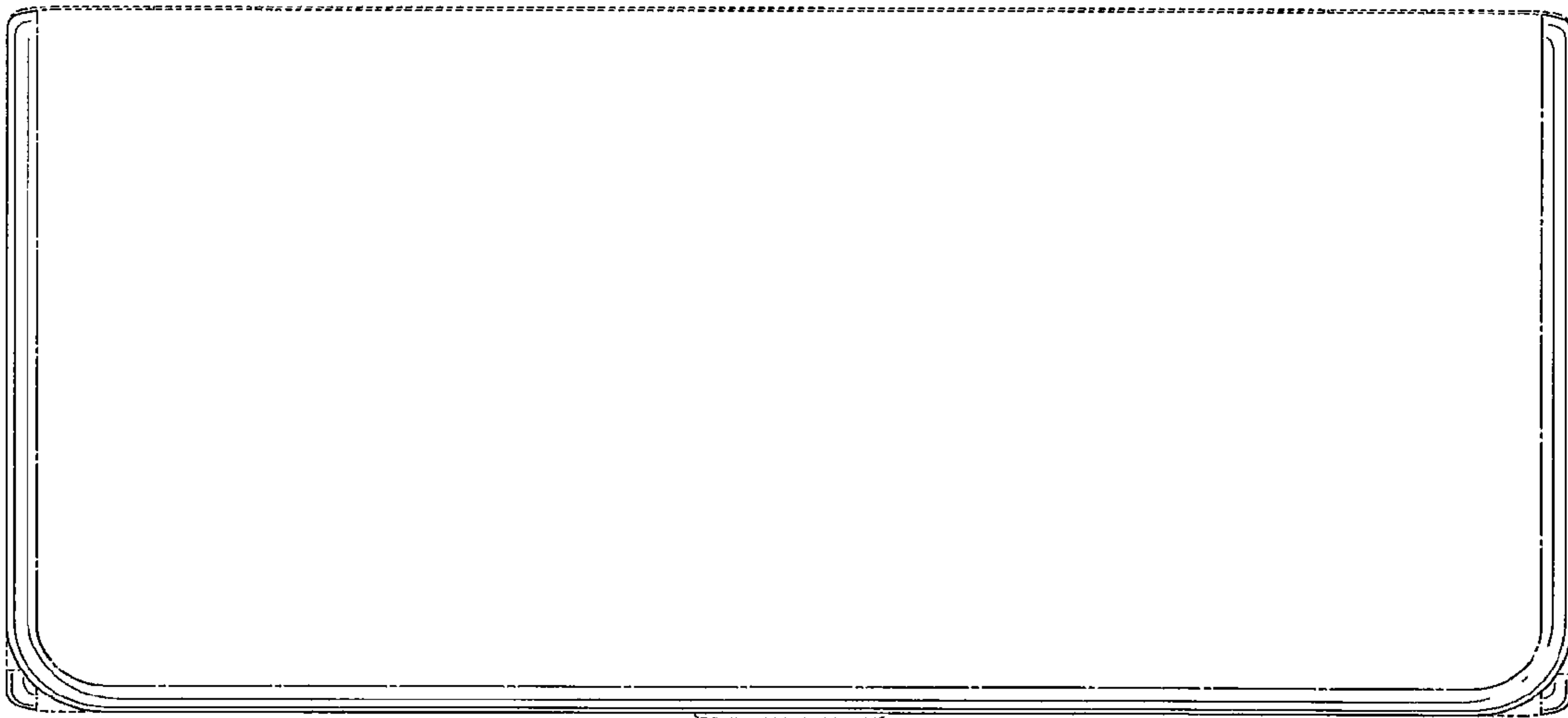


FIG.48

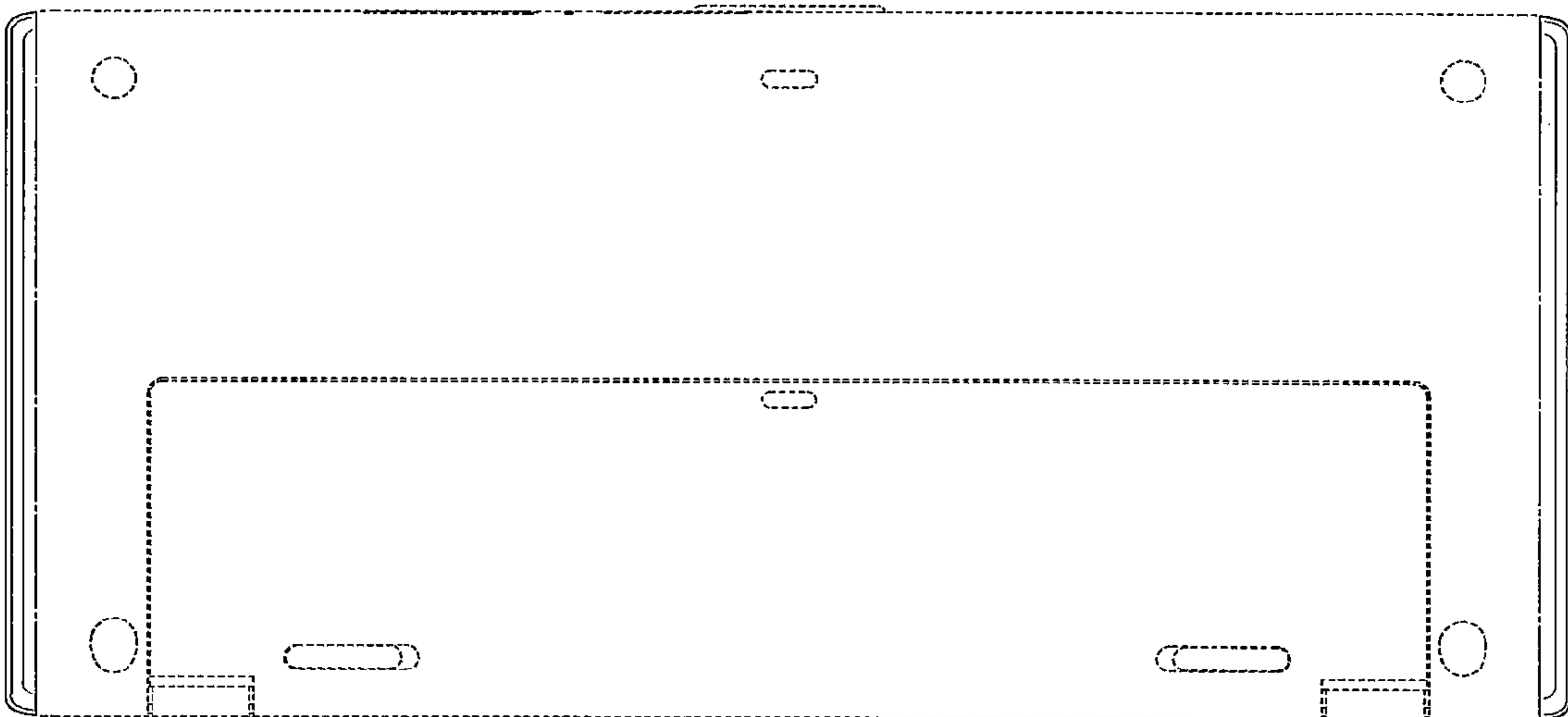


FIG.49

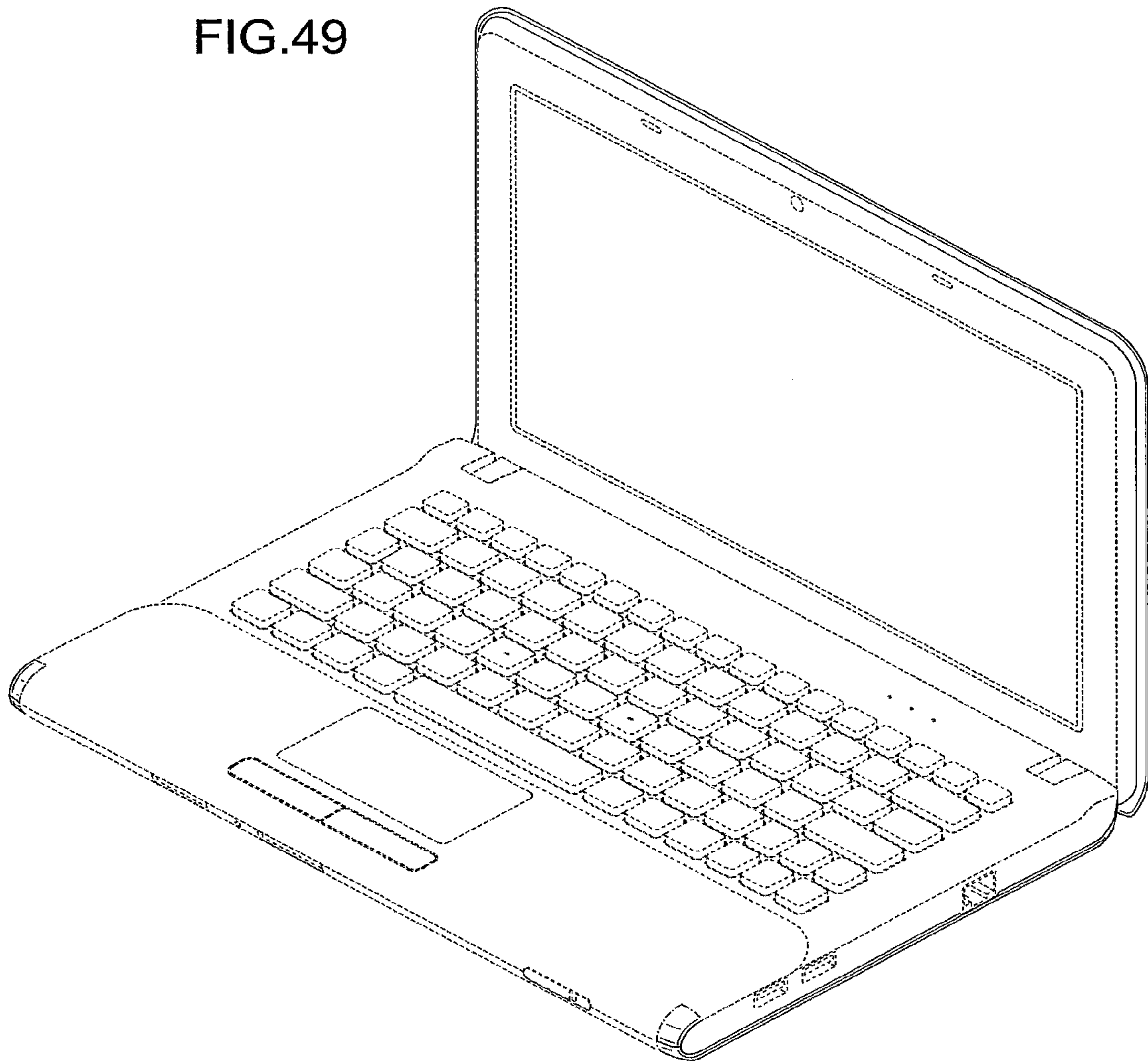


FIG.50

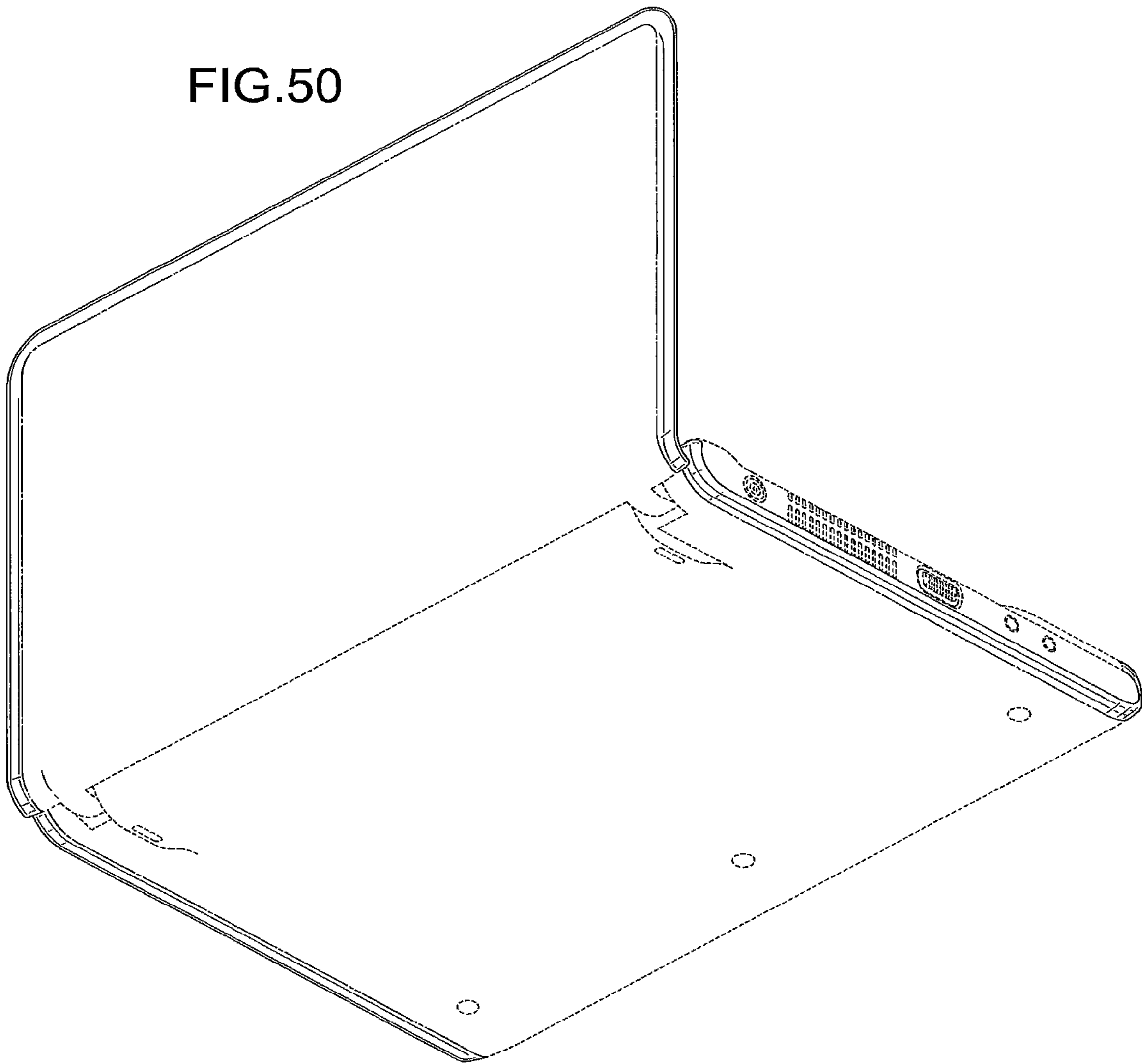


FIG.51

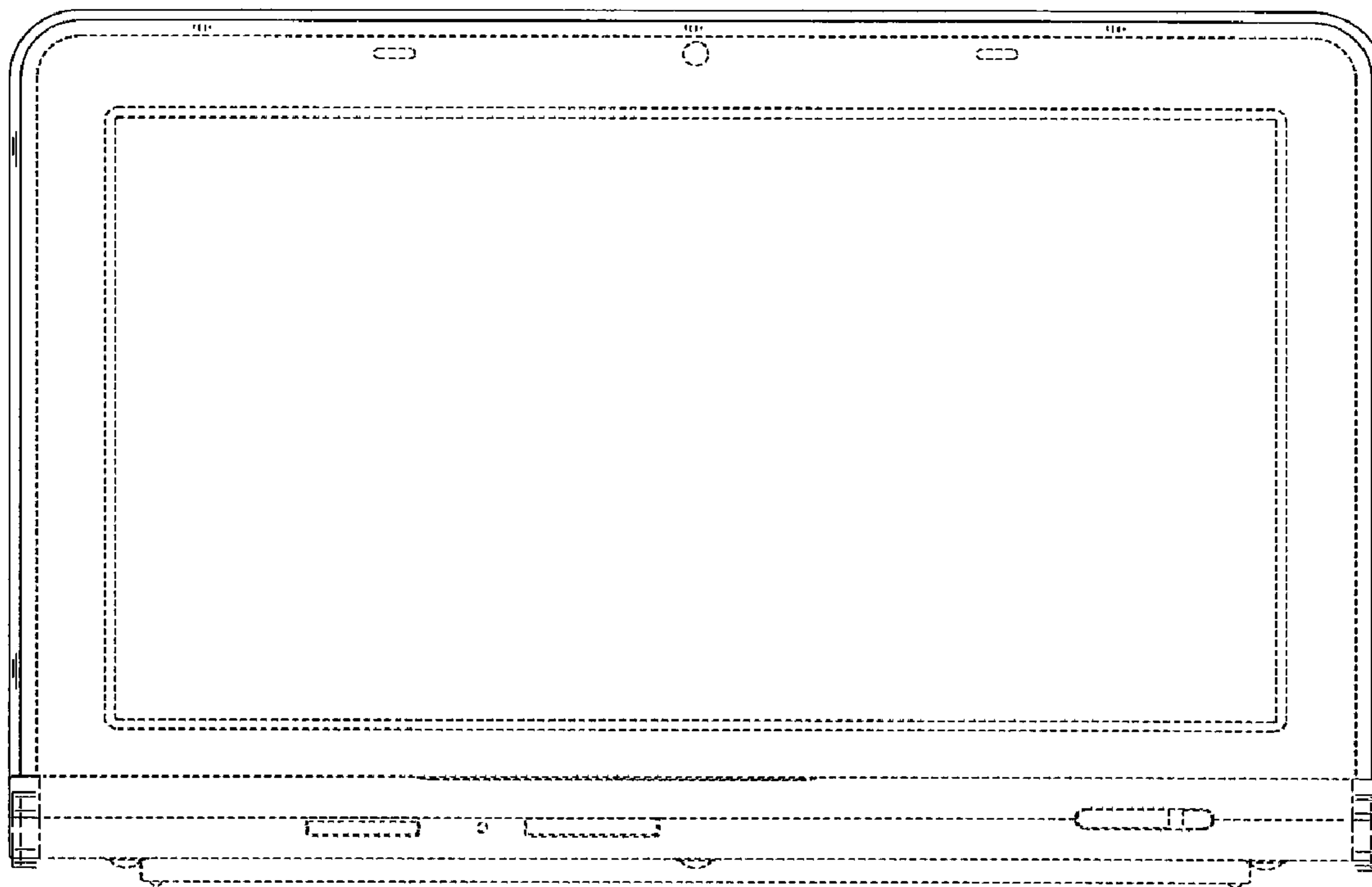


FIG.52

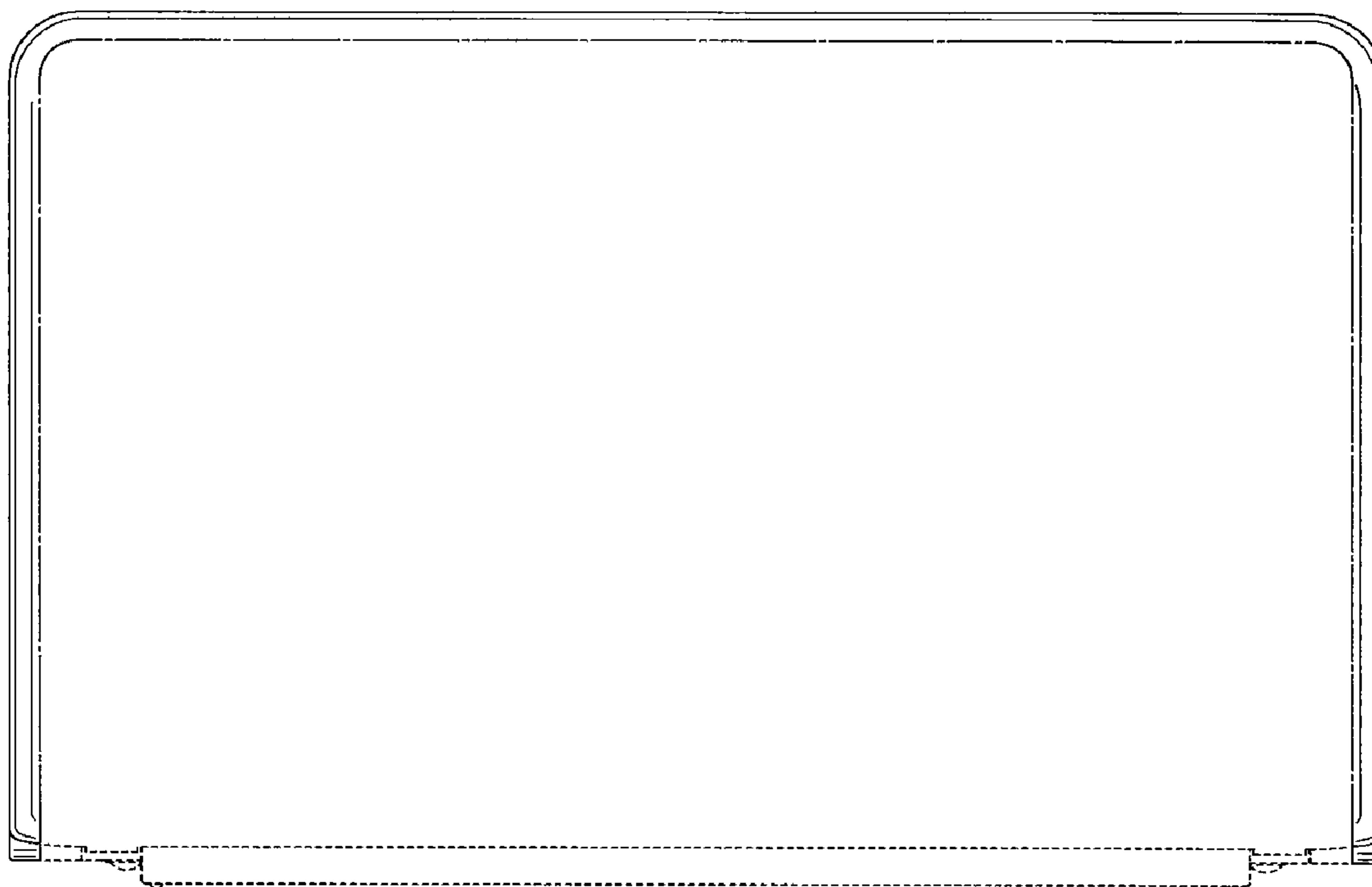




FIG.53

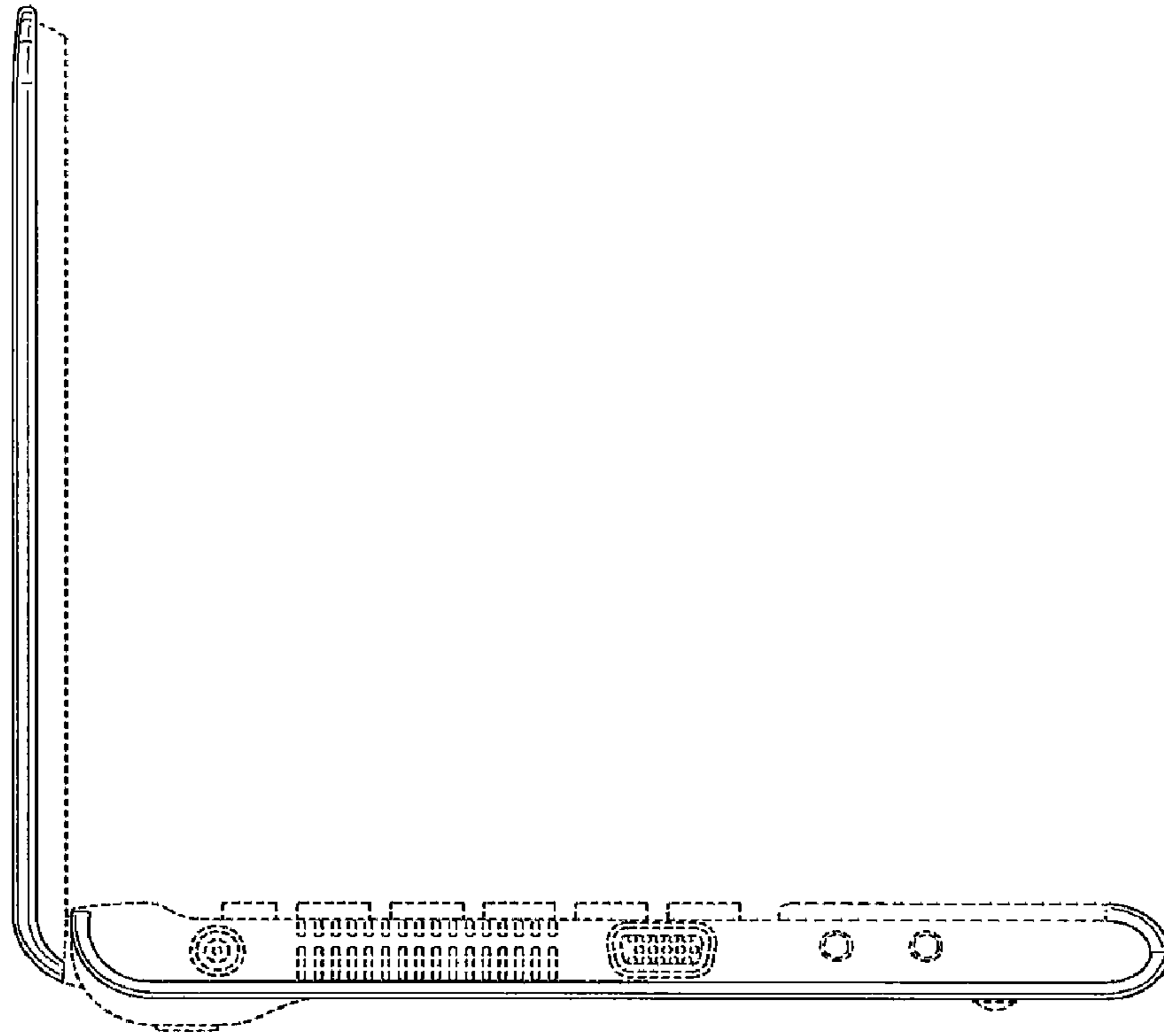


FIG.54

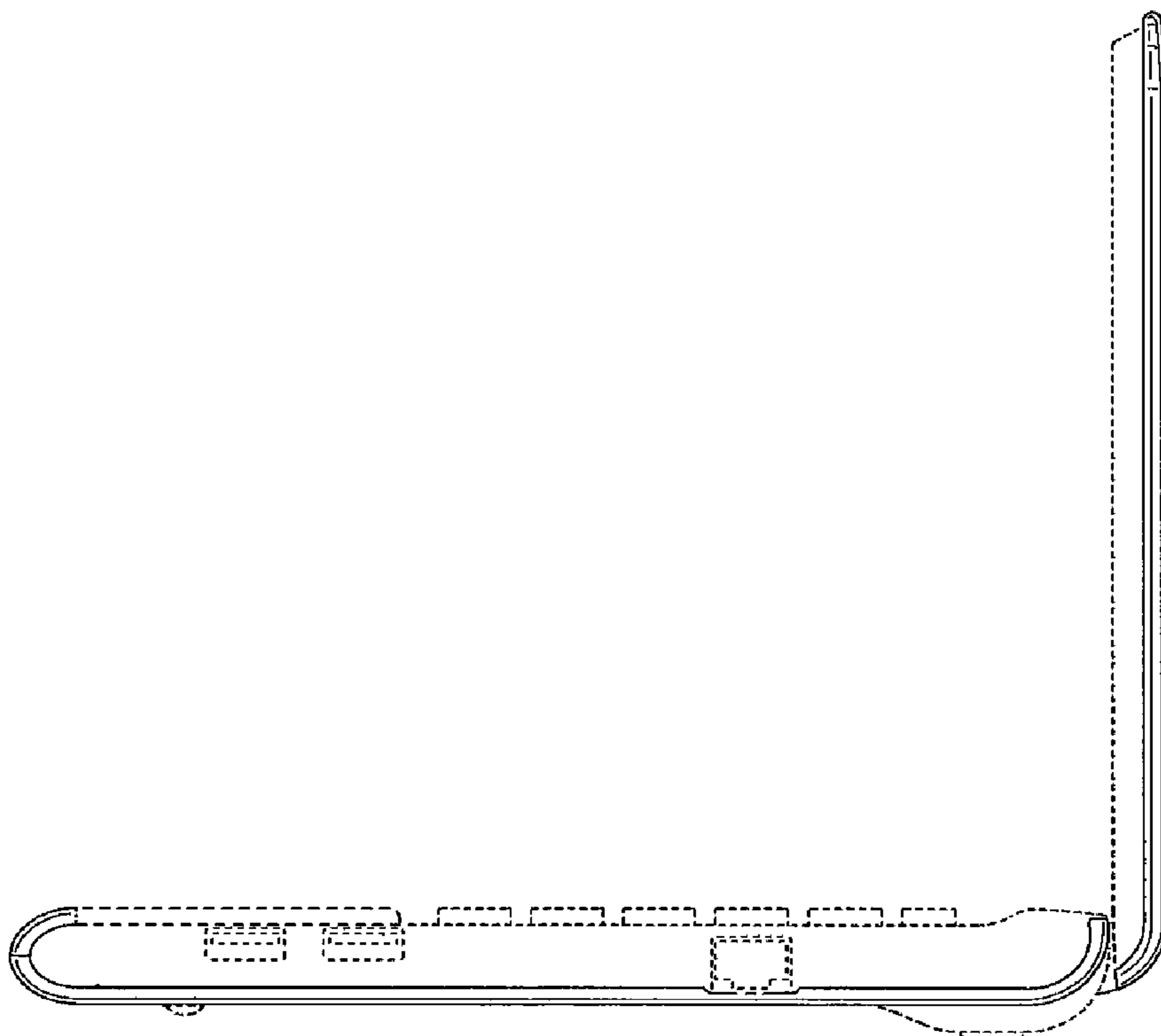


FIG.55

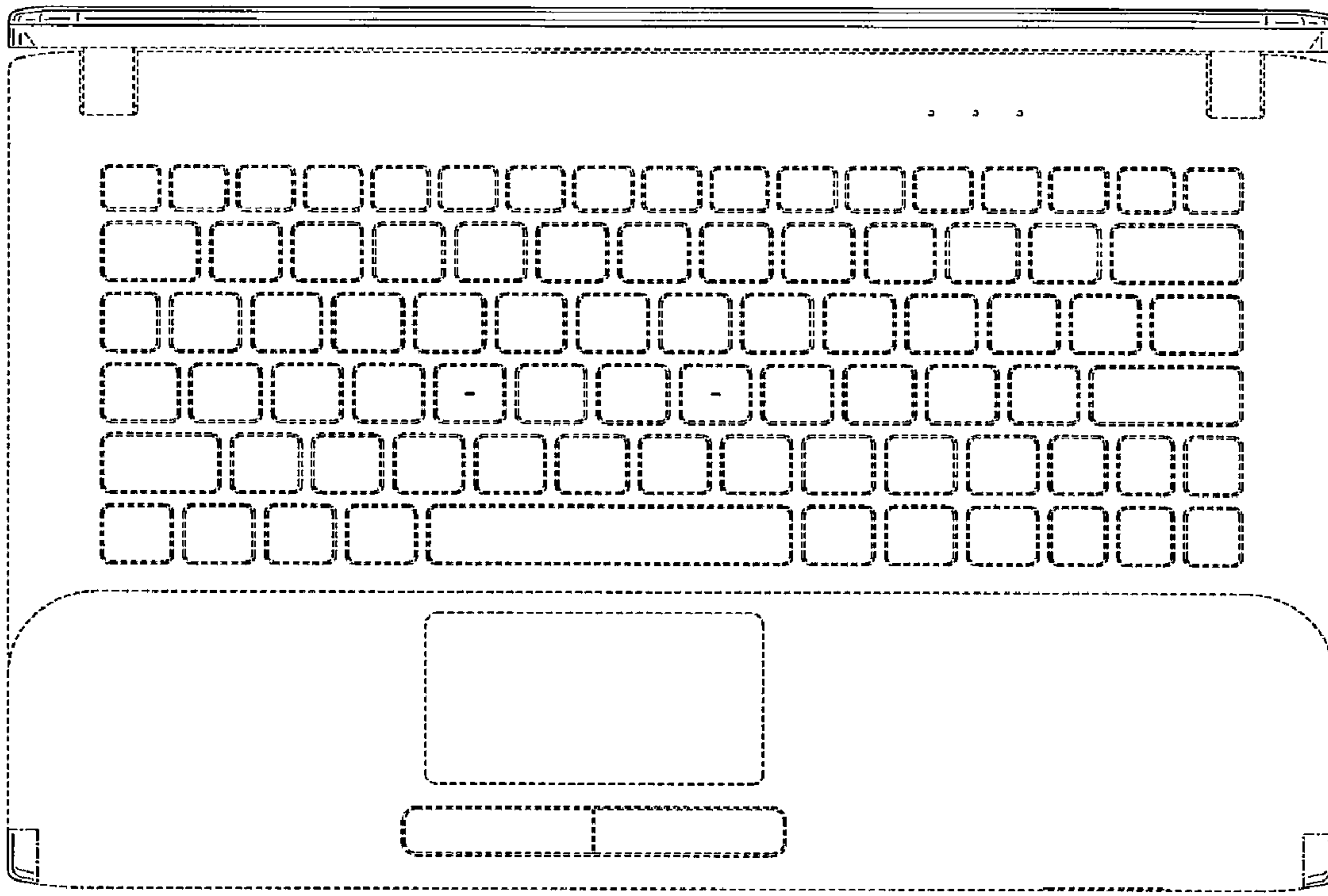


FIG.56

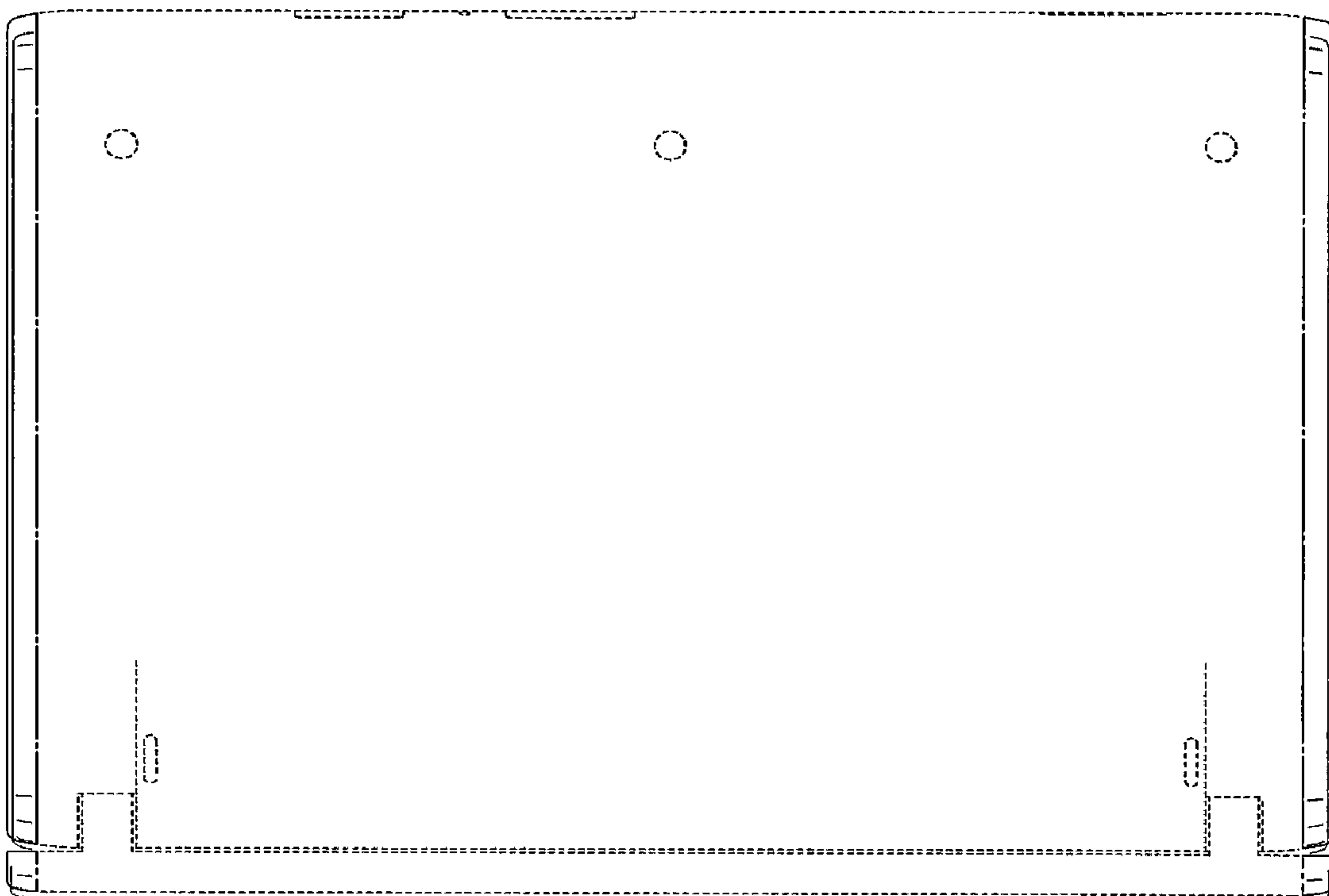


FIG.57

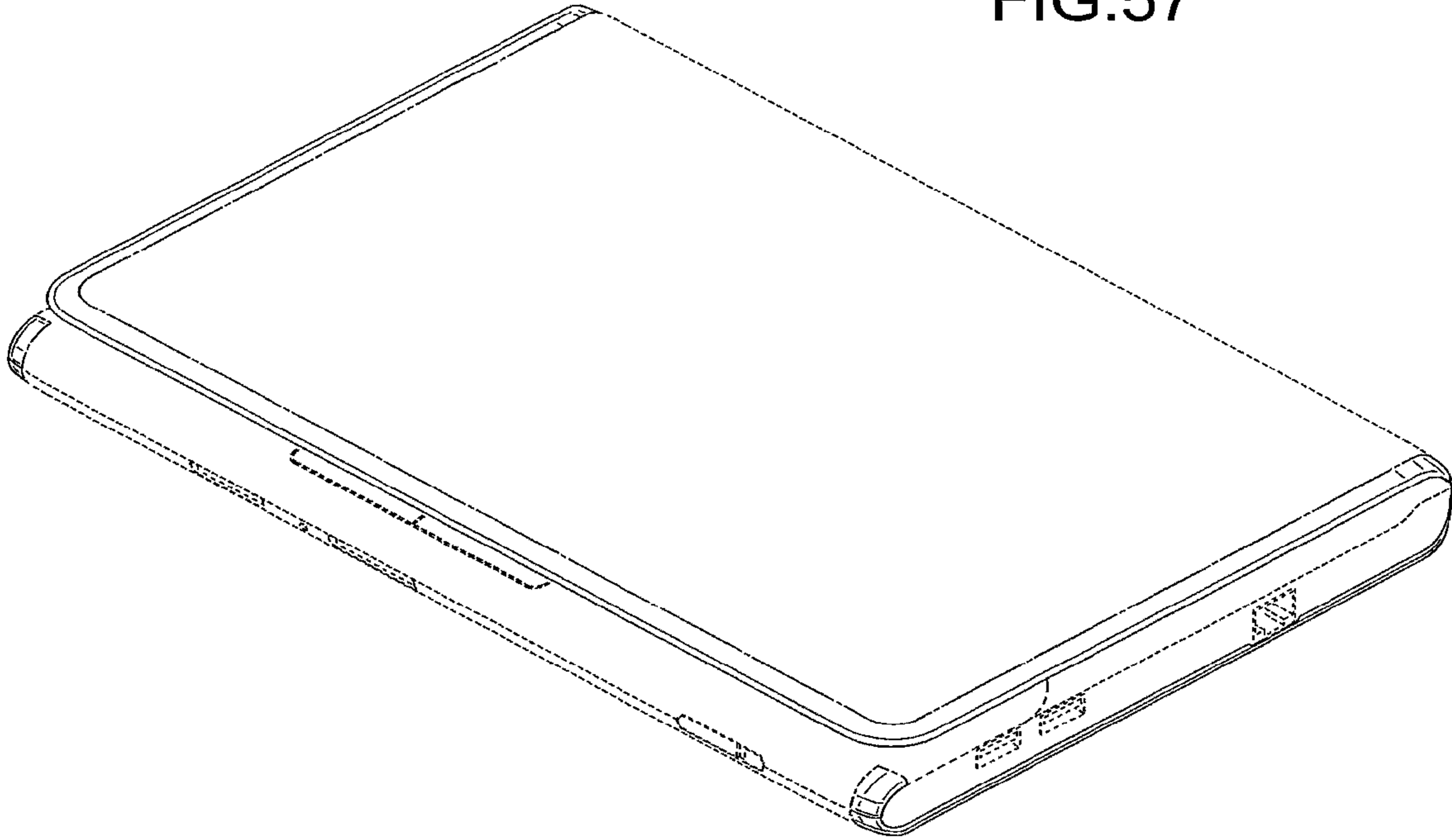


FIG.58

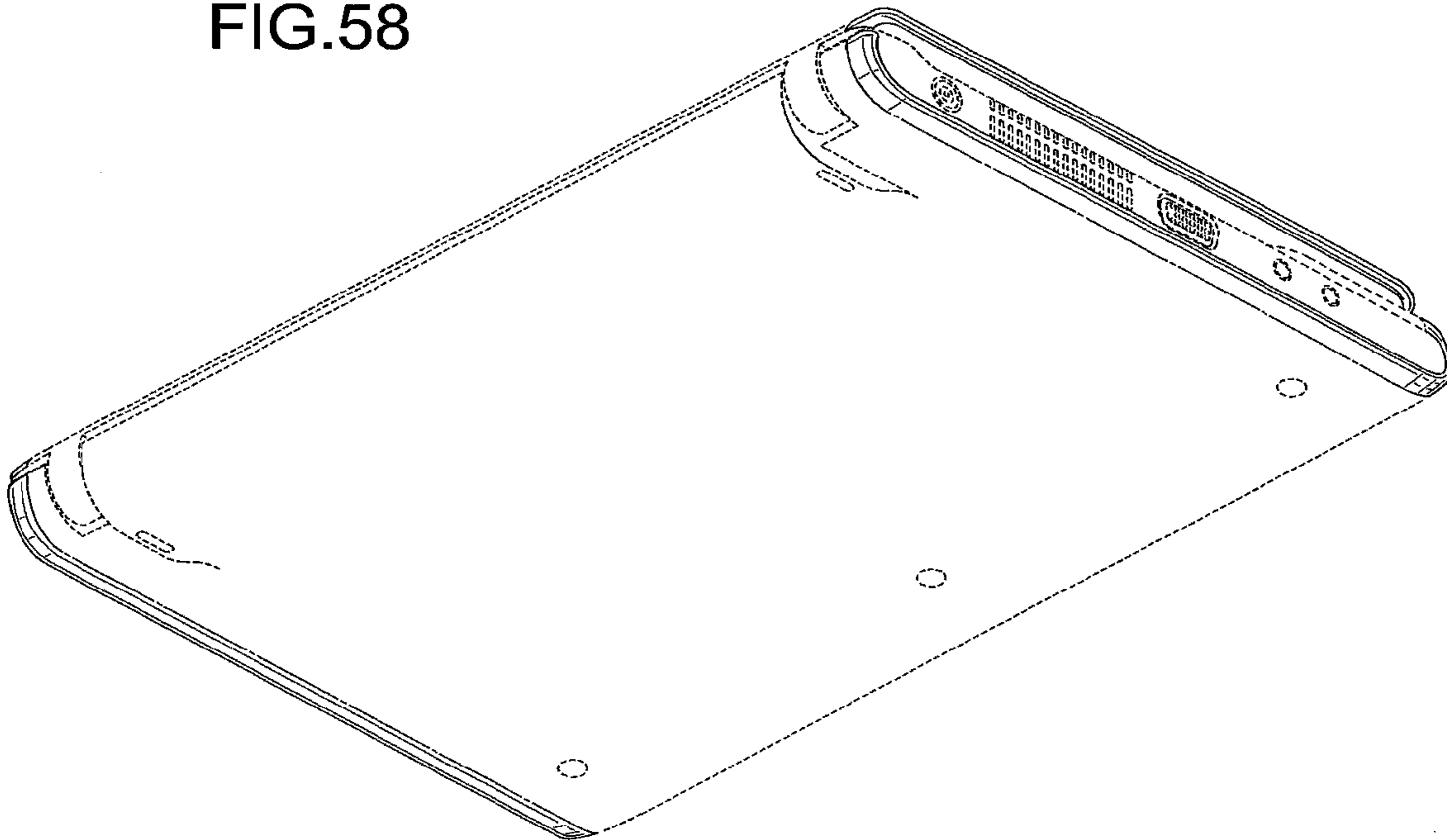


FIG.59

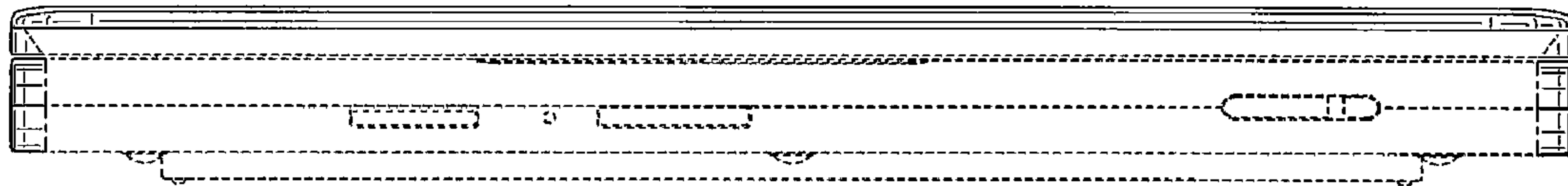


FIG.60

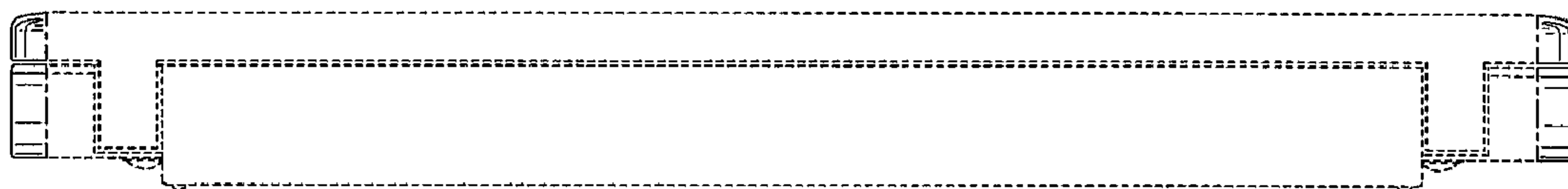


FIG.61

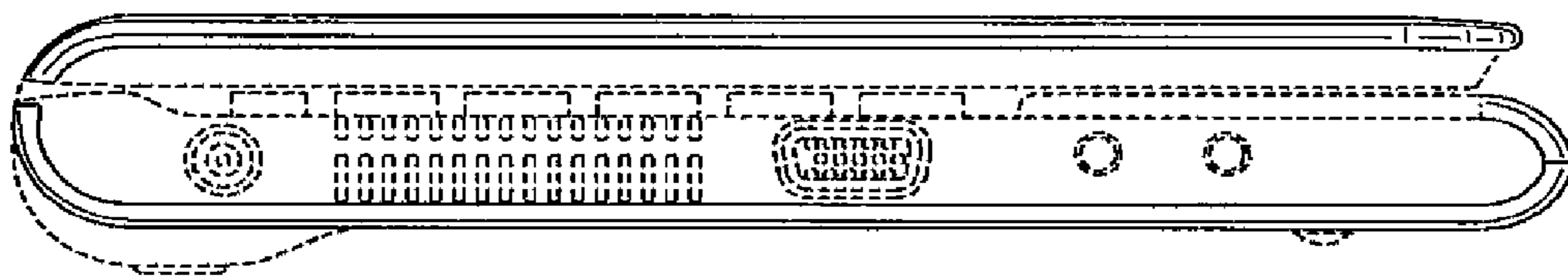


FIG.62

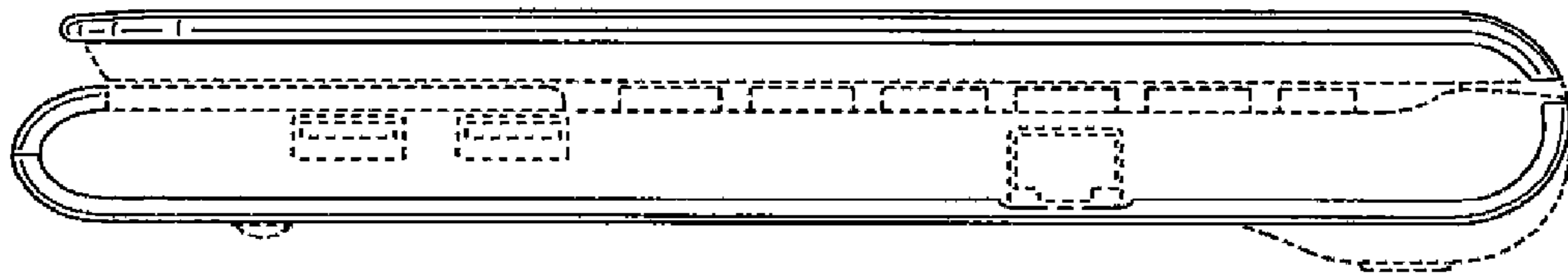


FIG.63

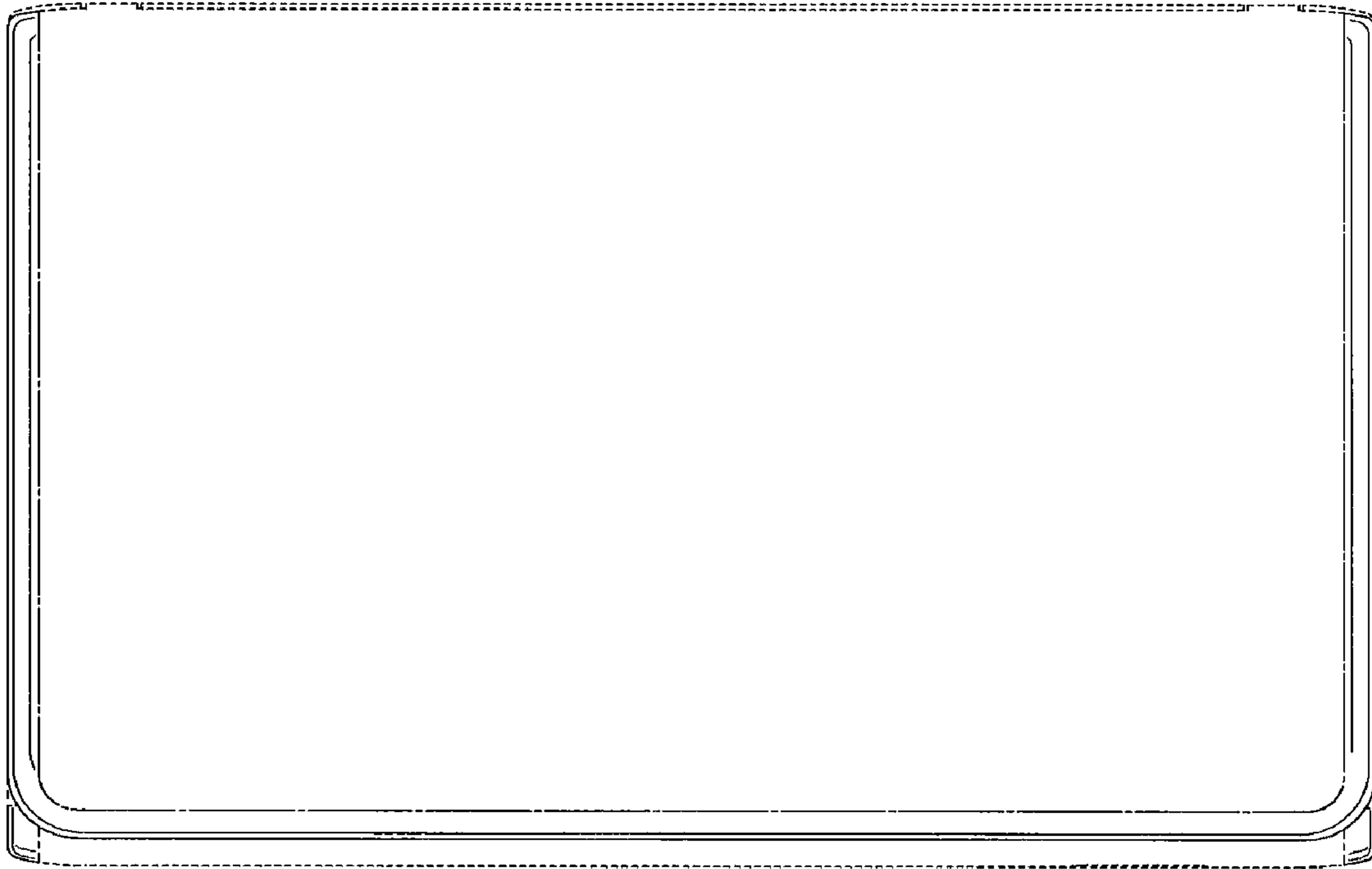


FIG.64

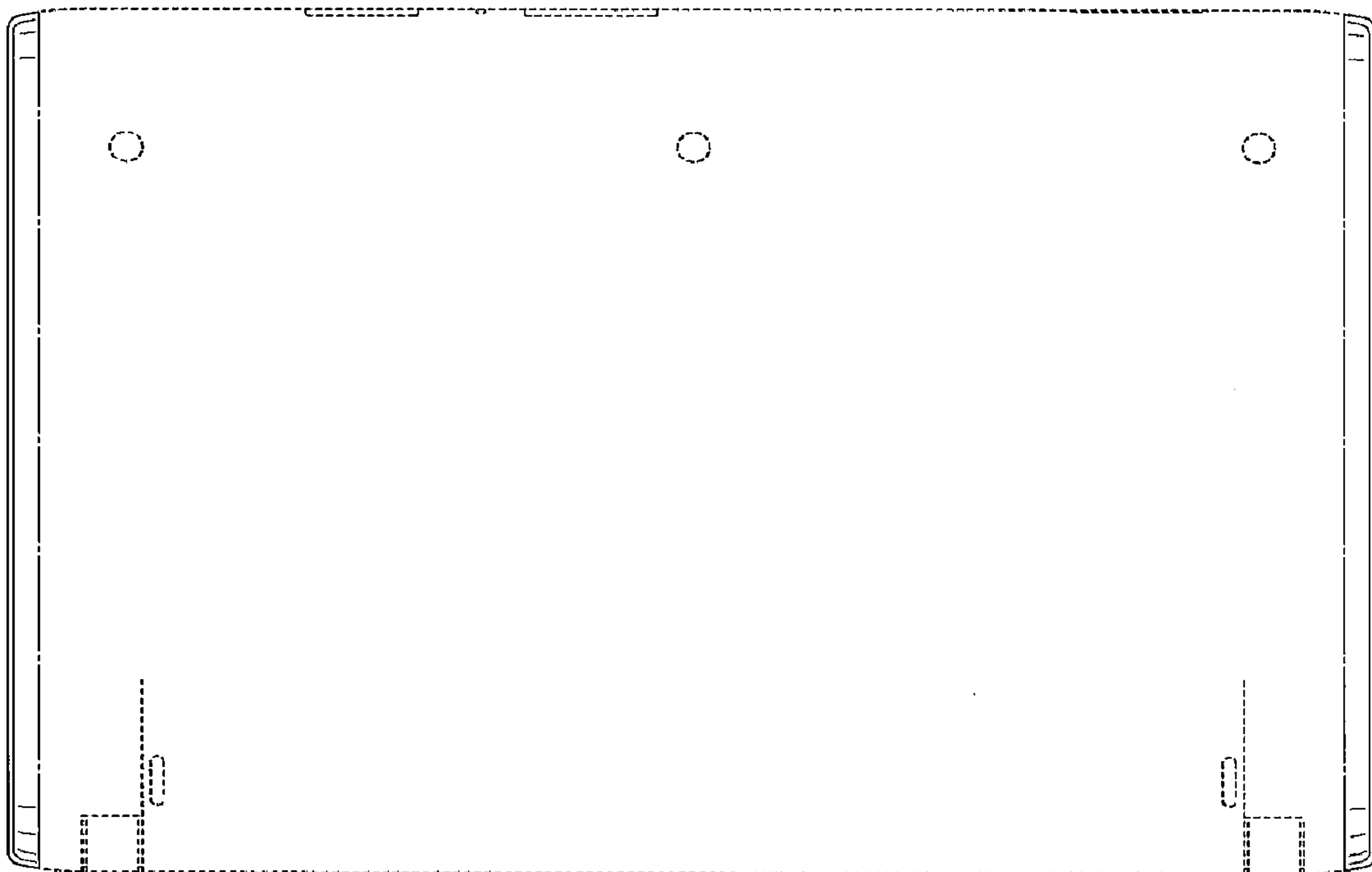


FIG.65

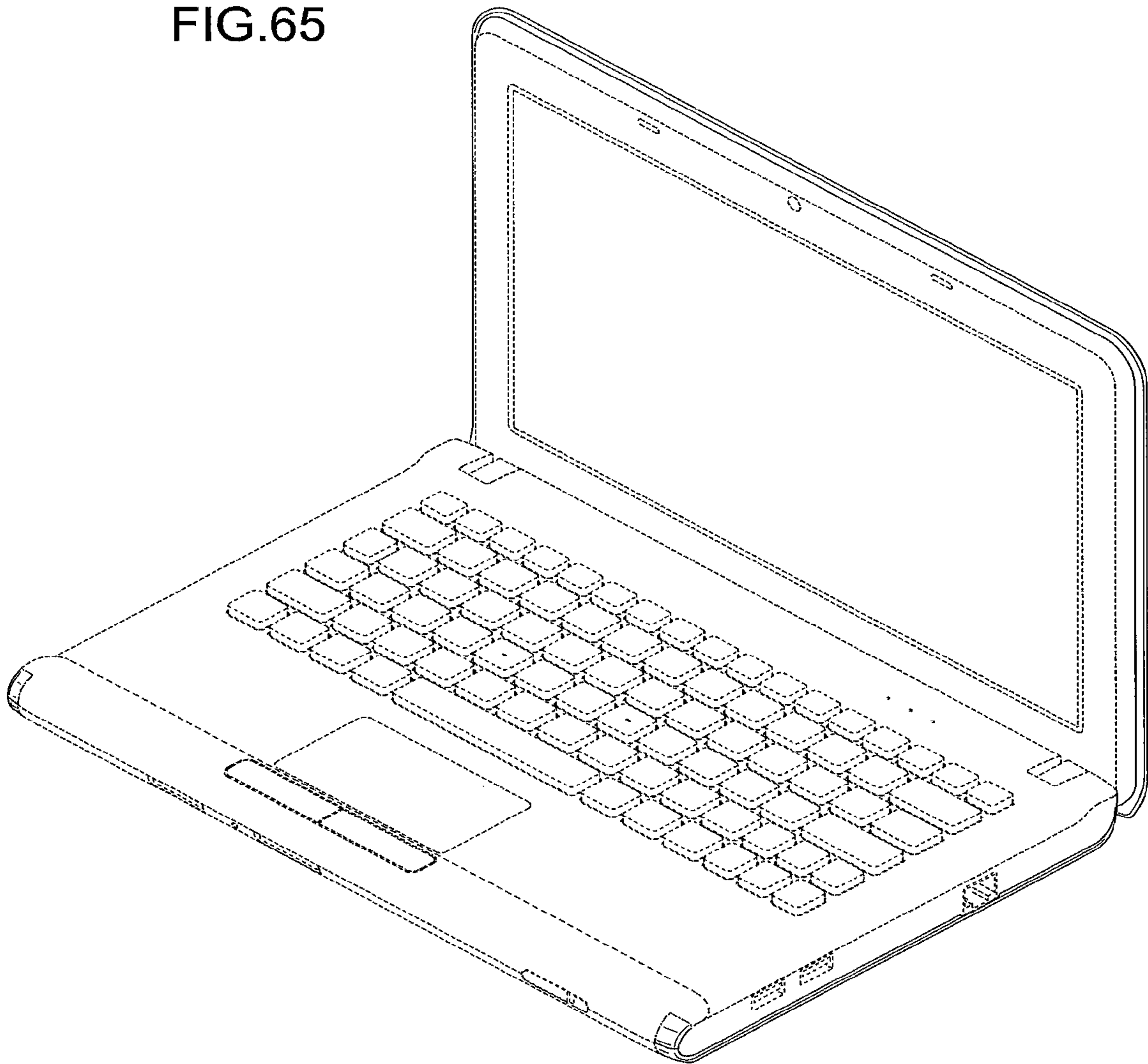


FIG.66

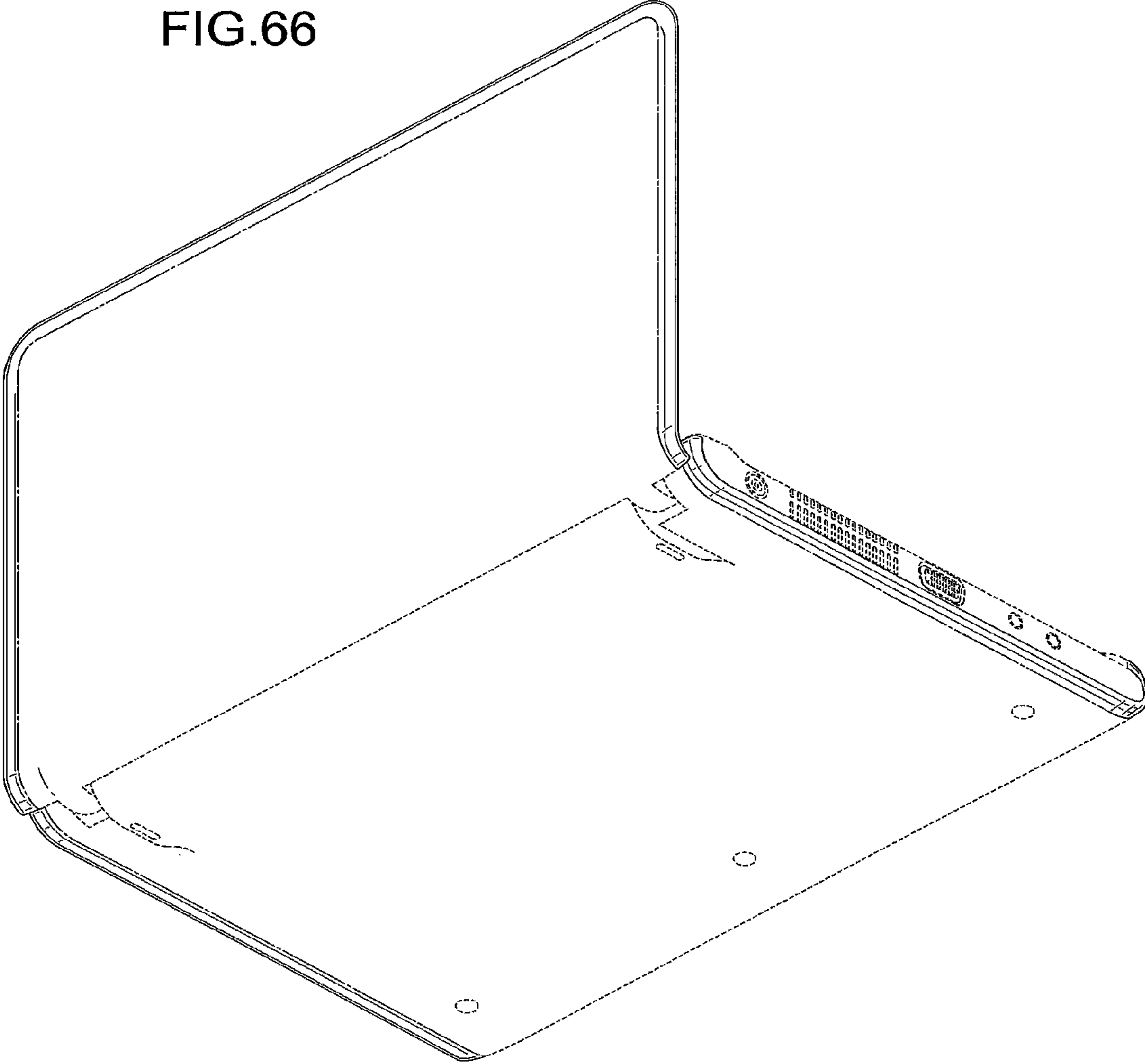




FIG.67

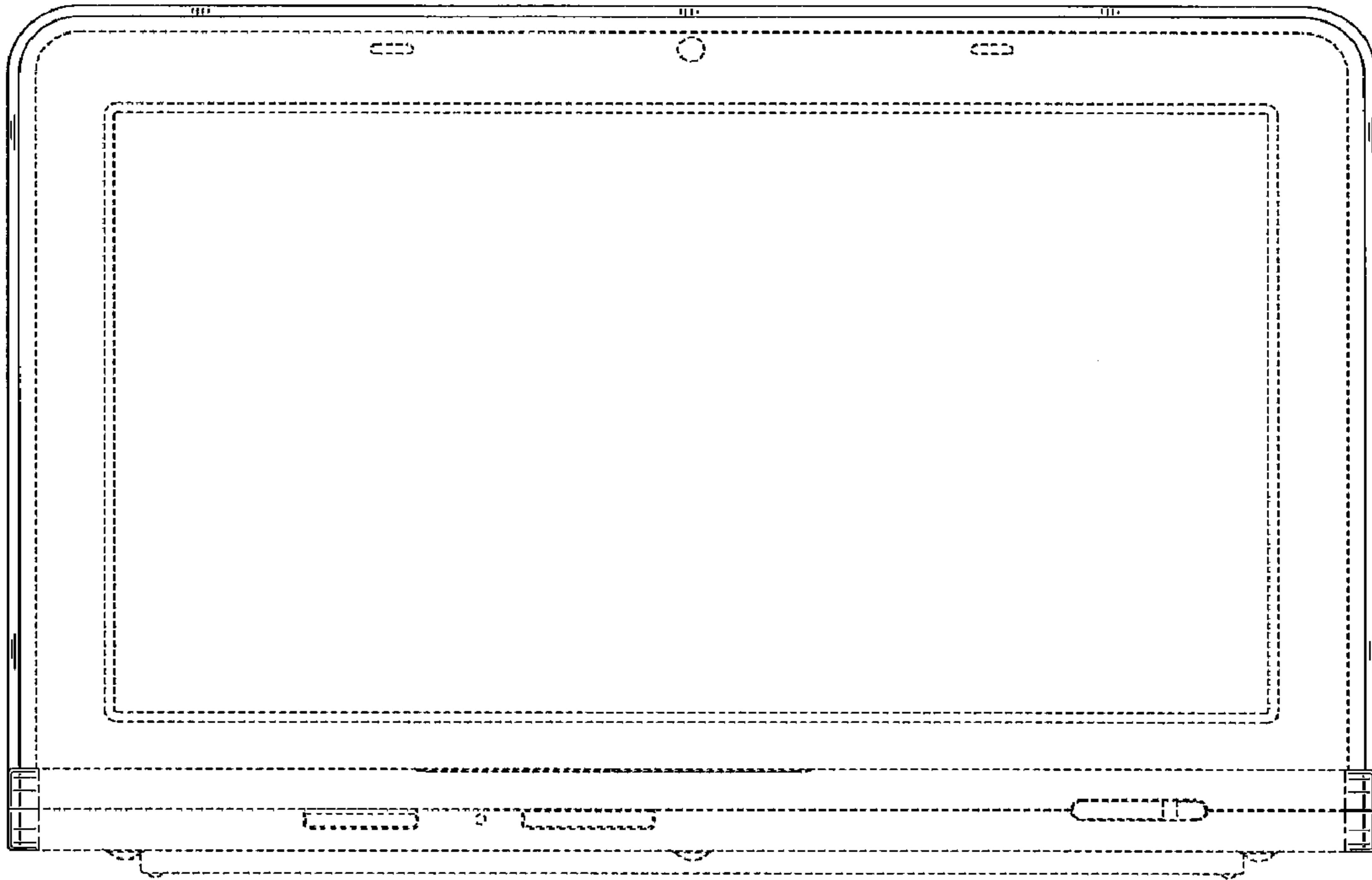


FIG.68

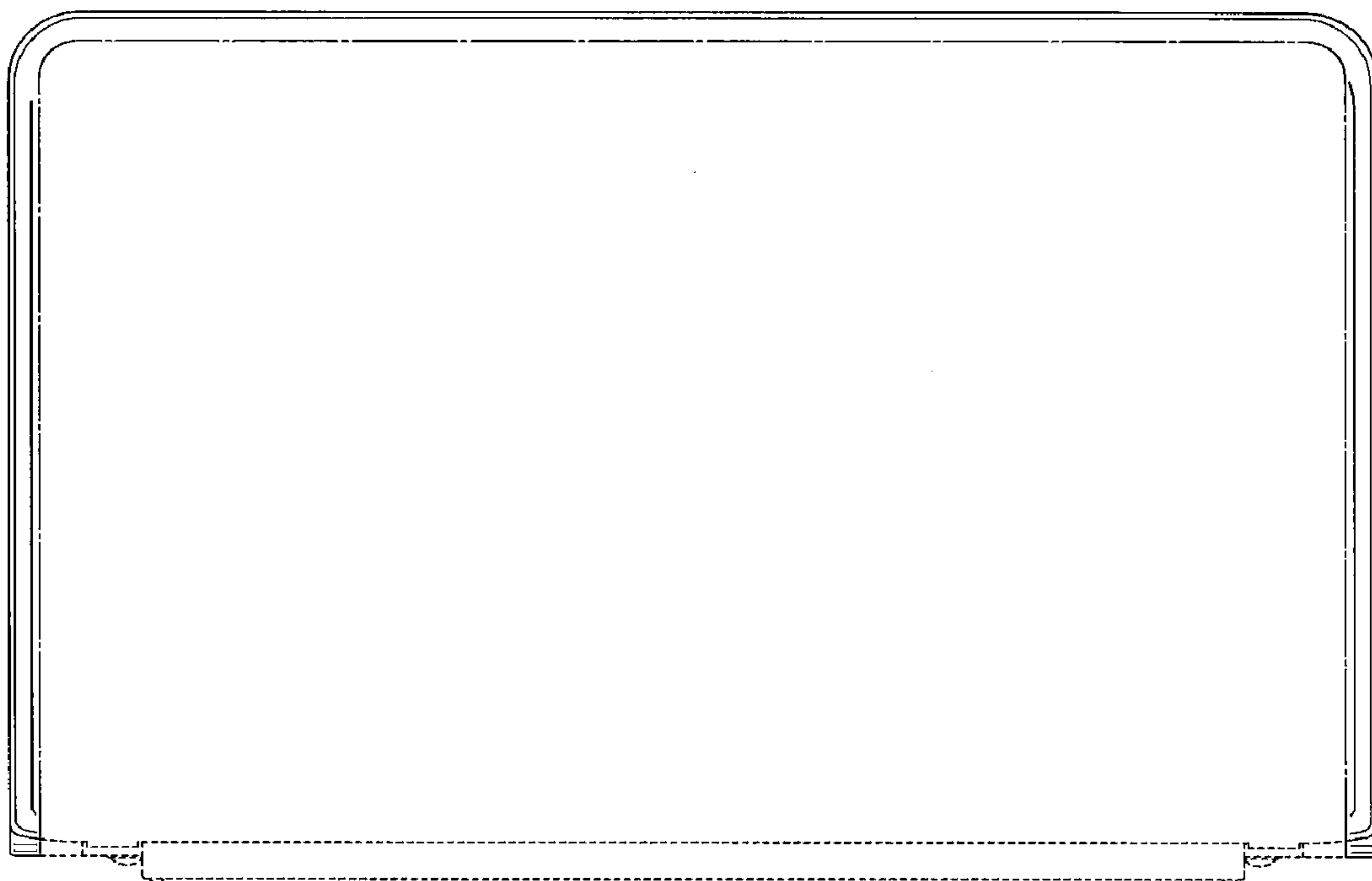


FIG.69

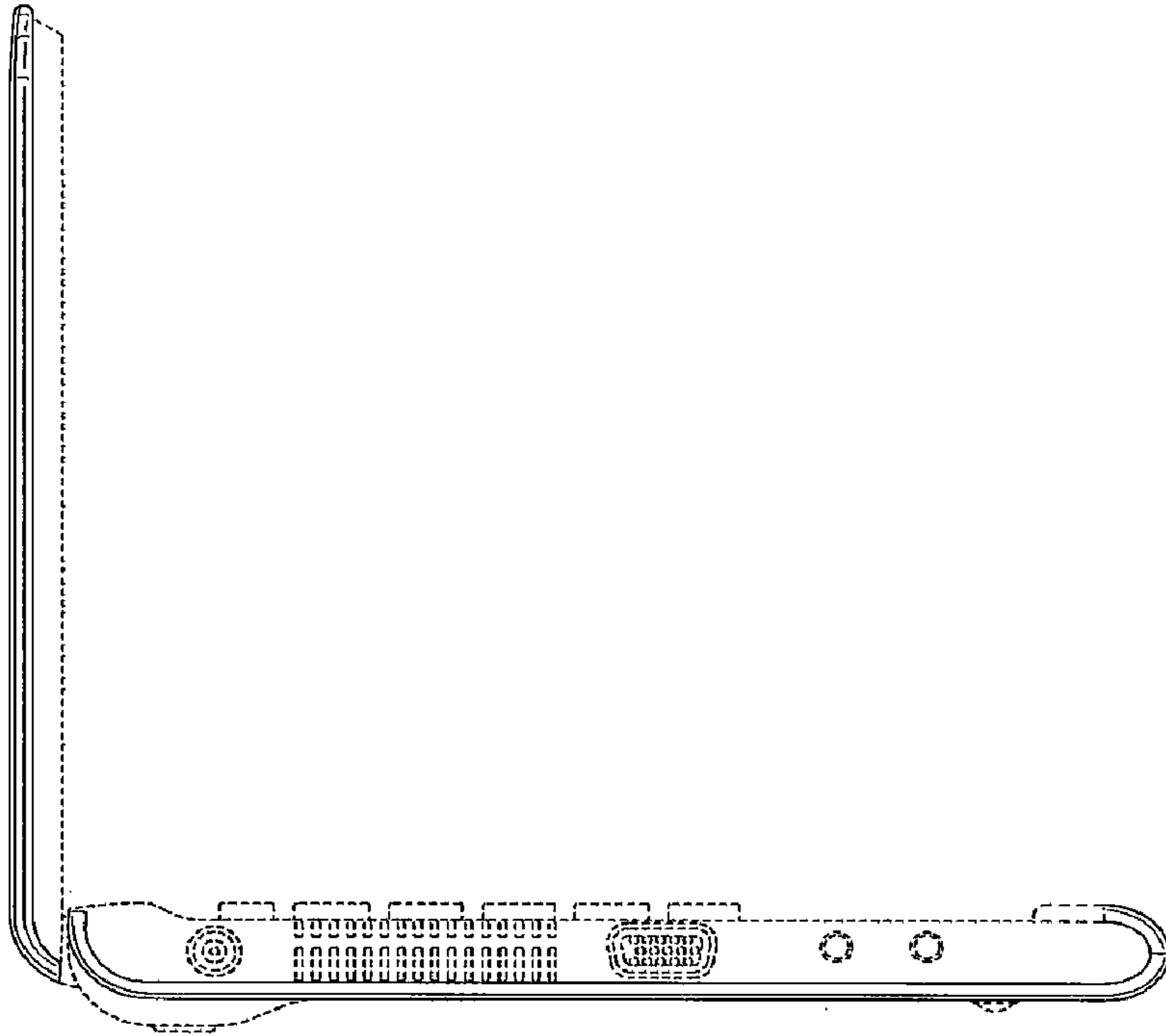


FIG.70

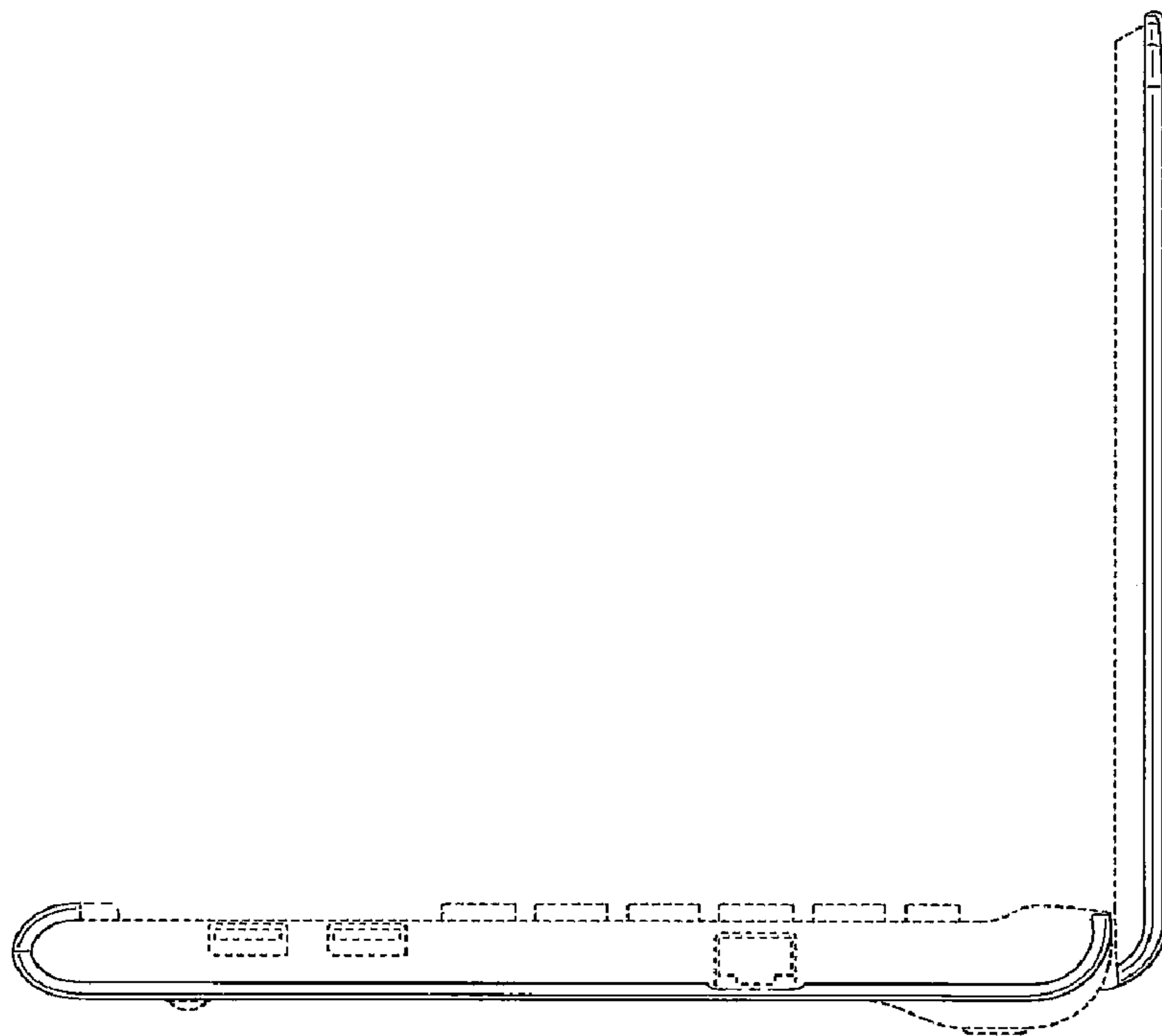


FIG.71

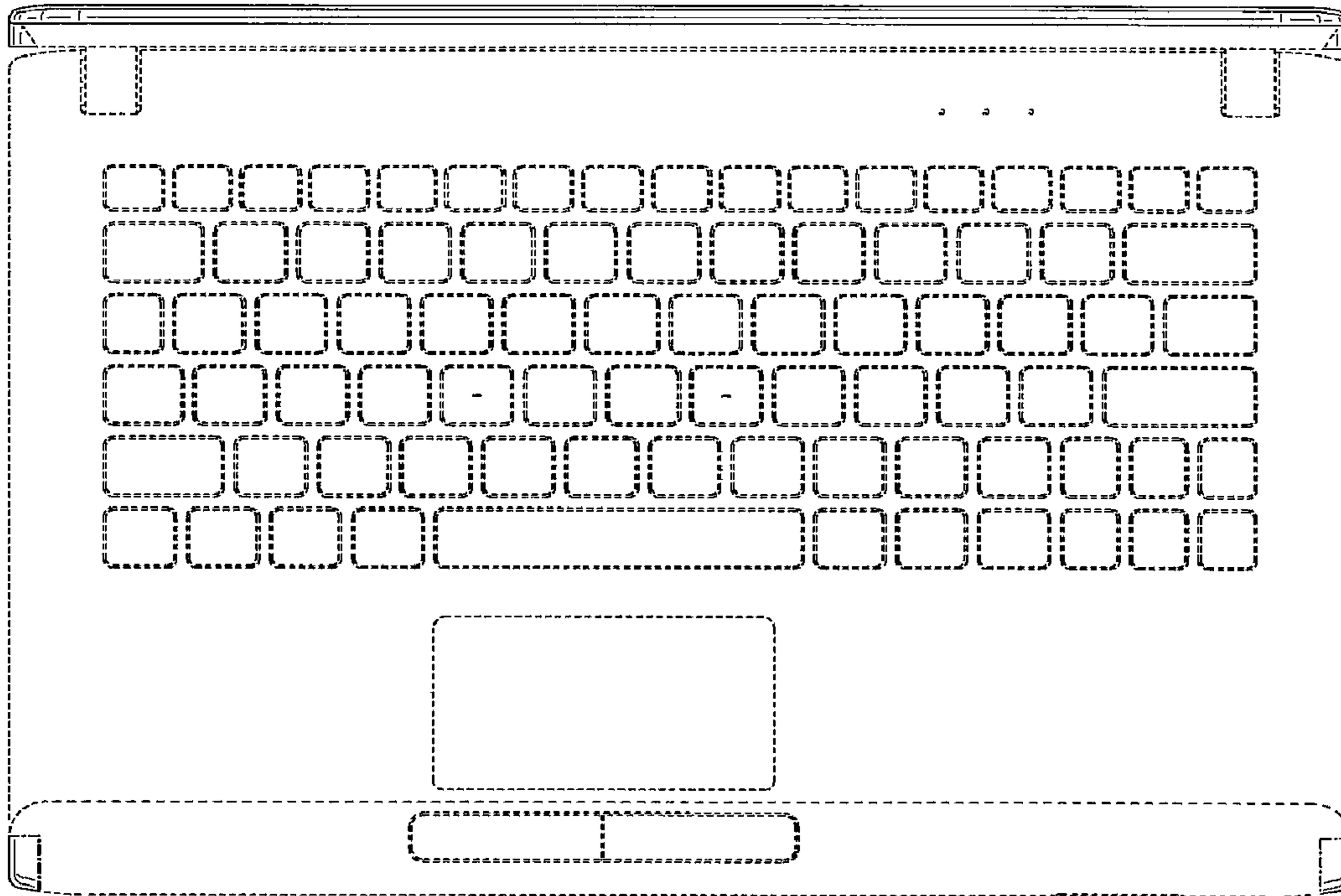


FIG.72

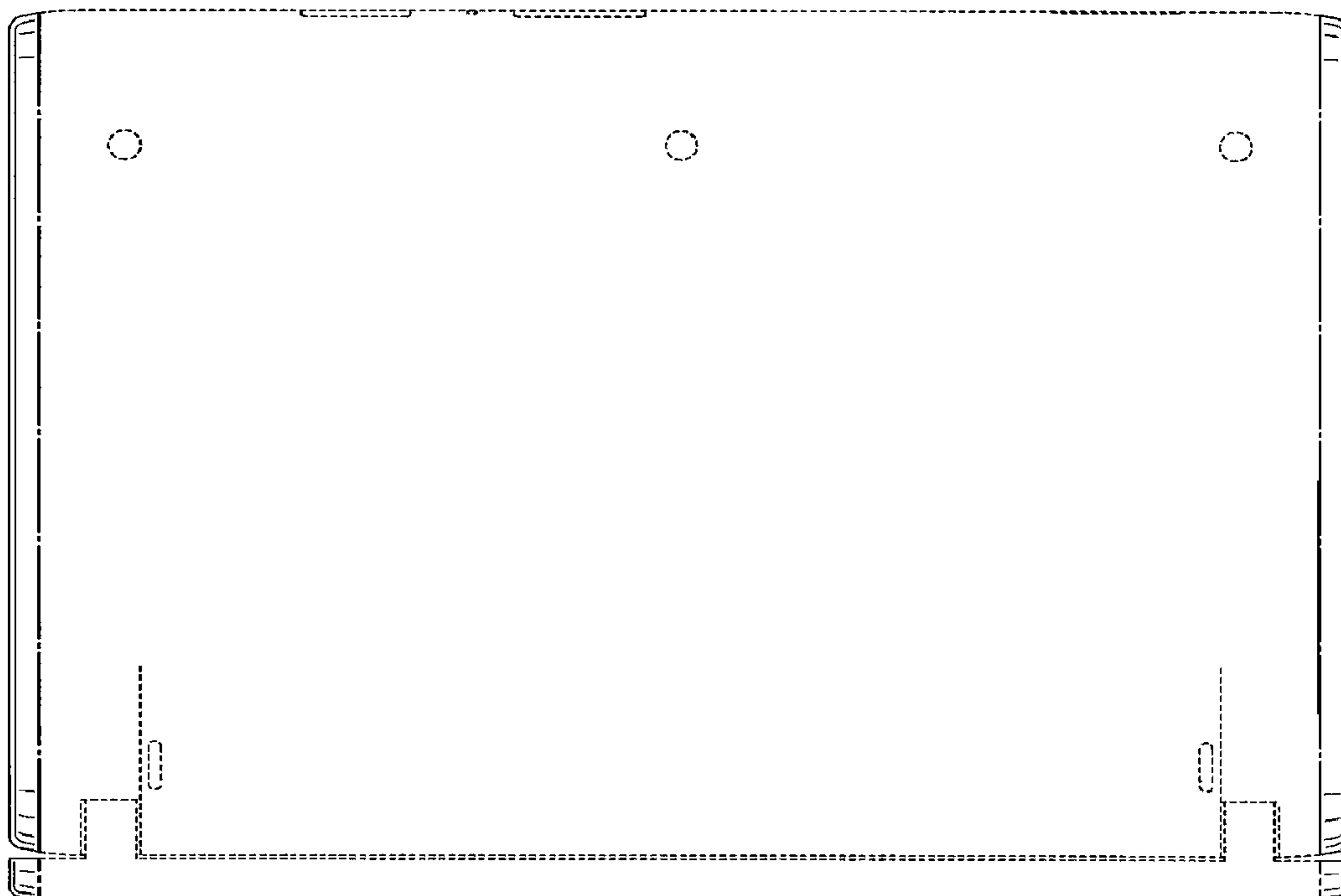


FIG.73

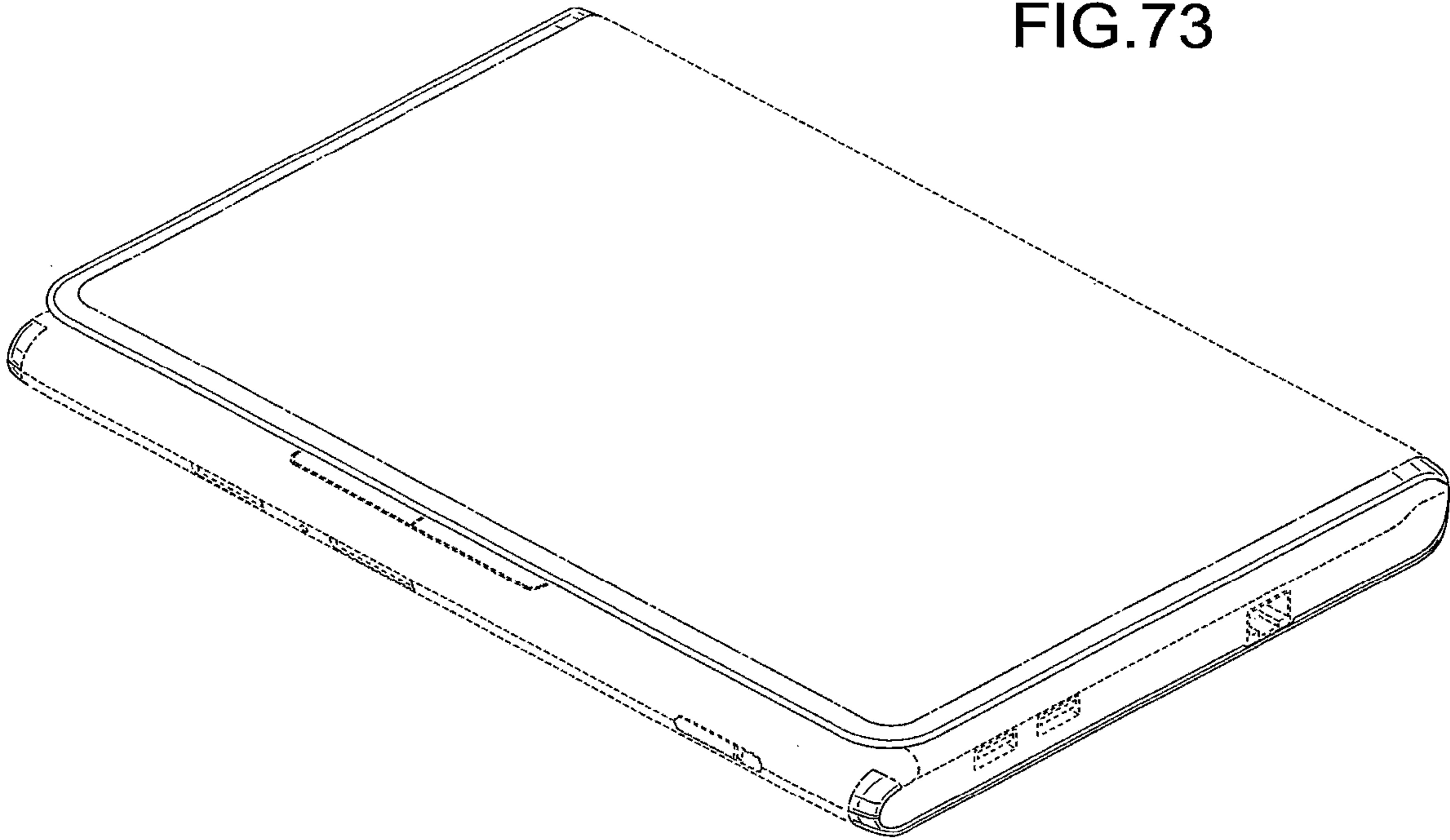


FIG.74

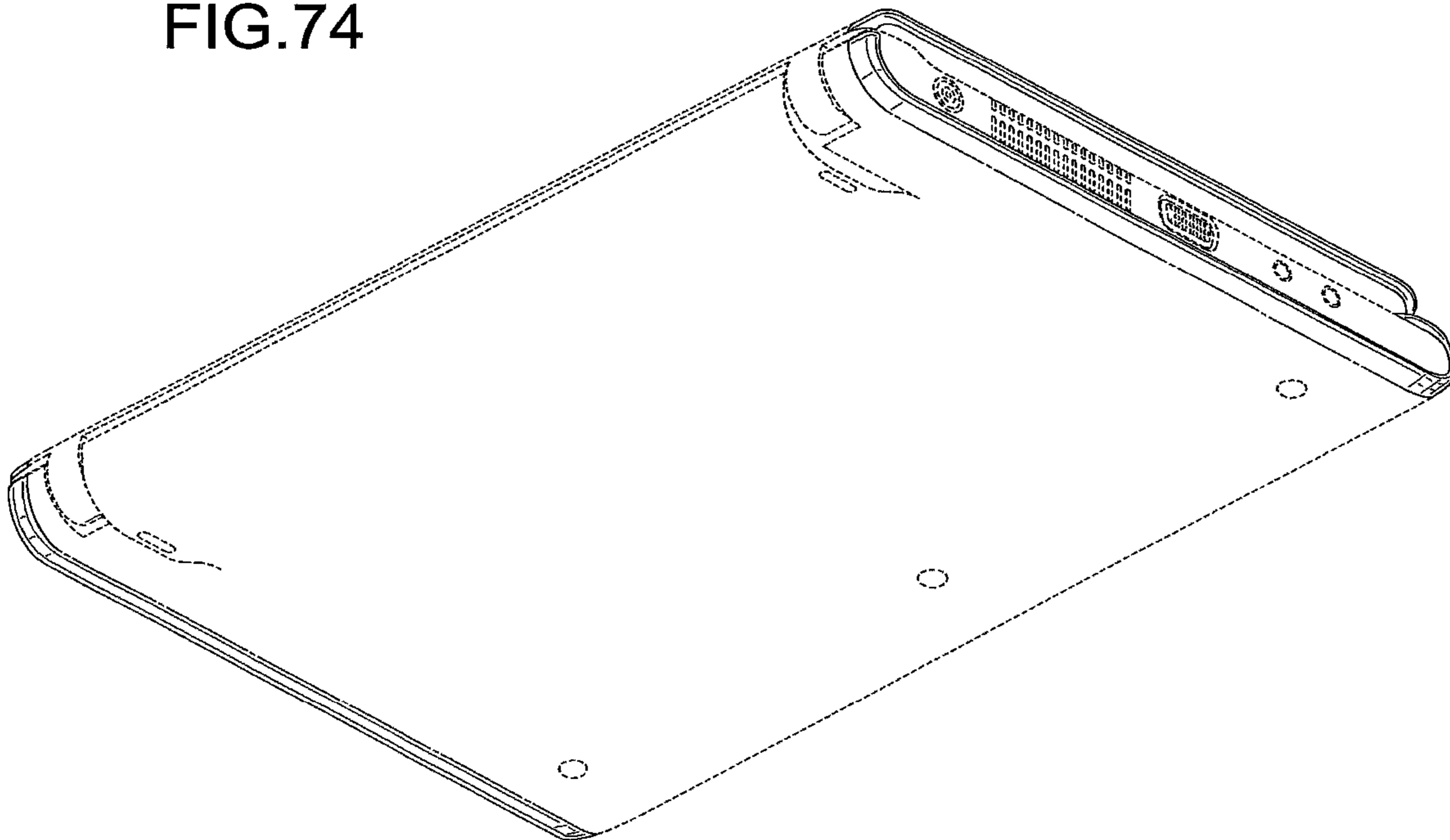


FIG.75

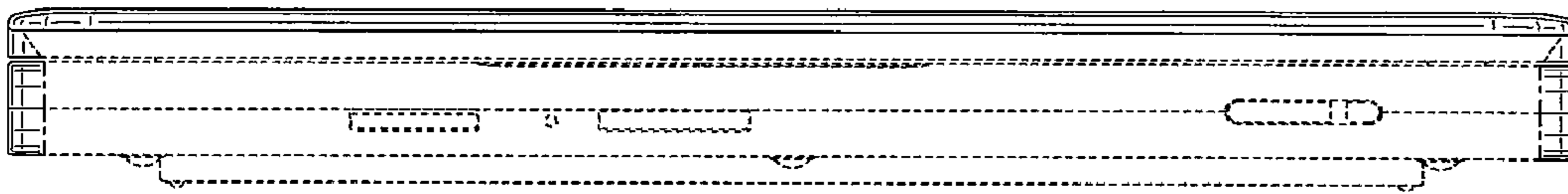


FIG.76

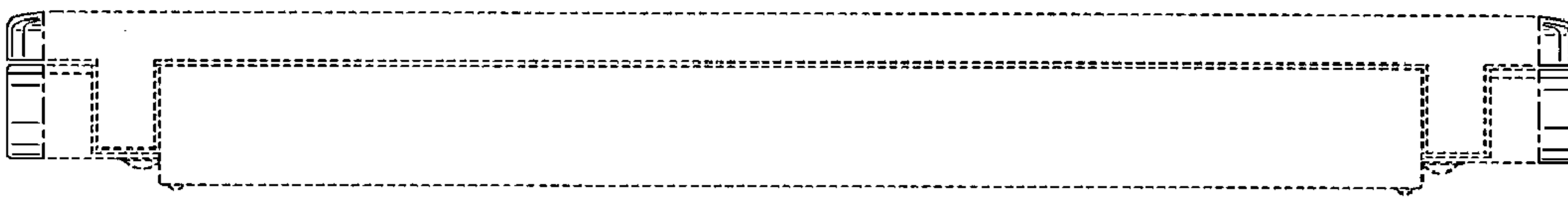


FIG.77

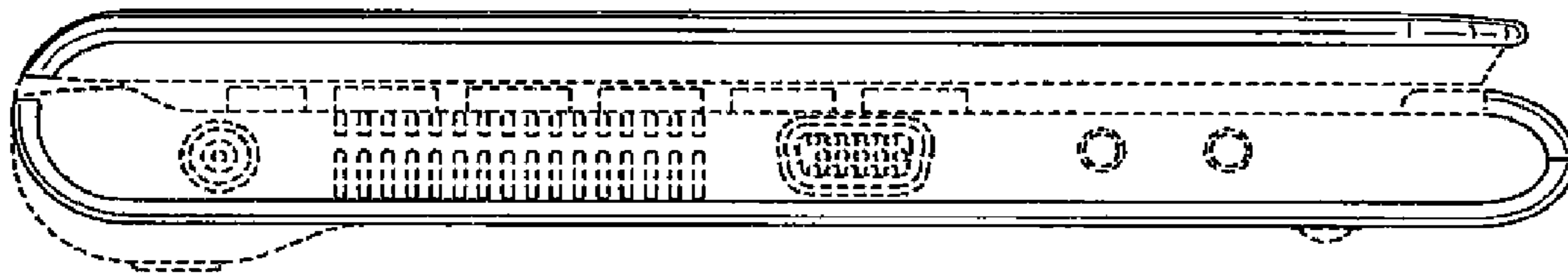


FIG.78

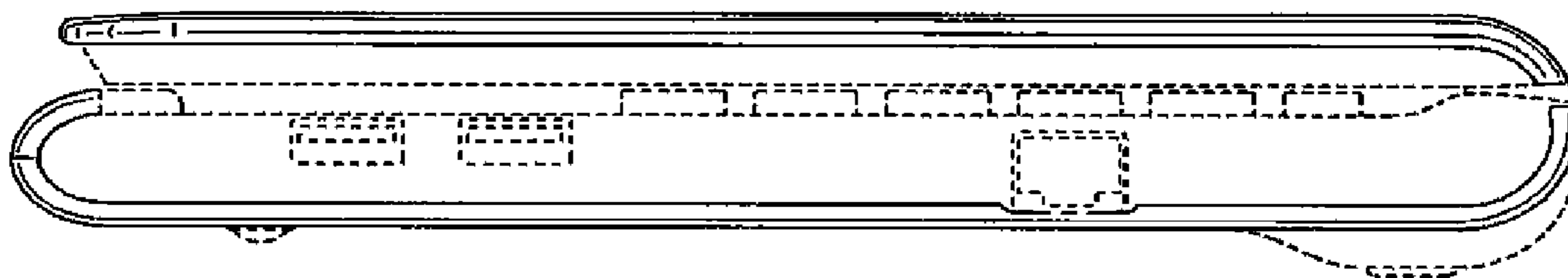


FIG.79

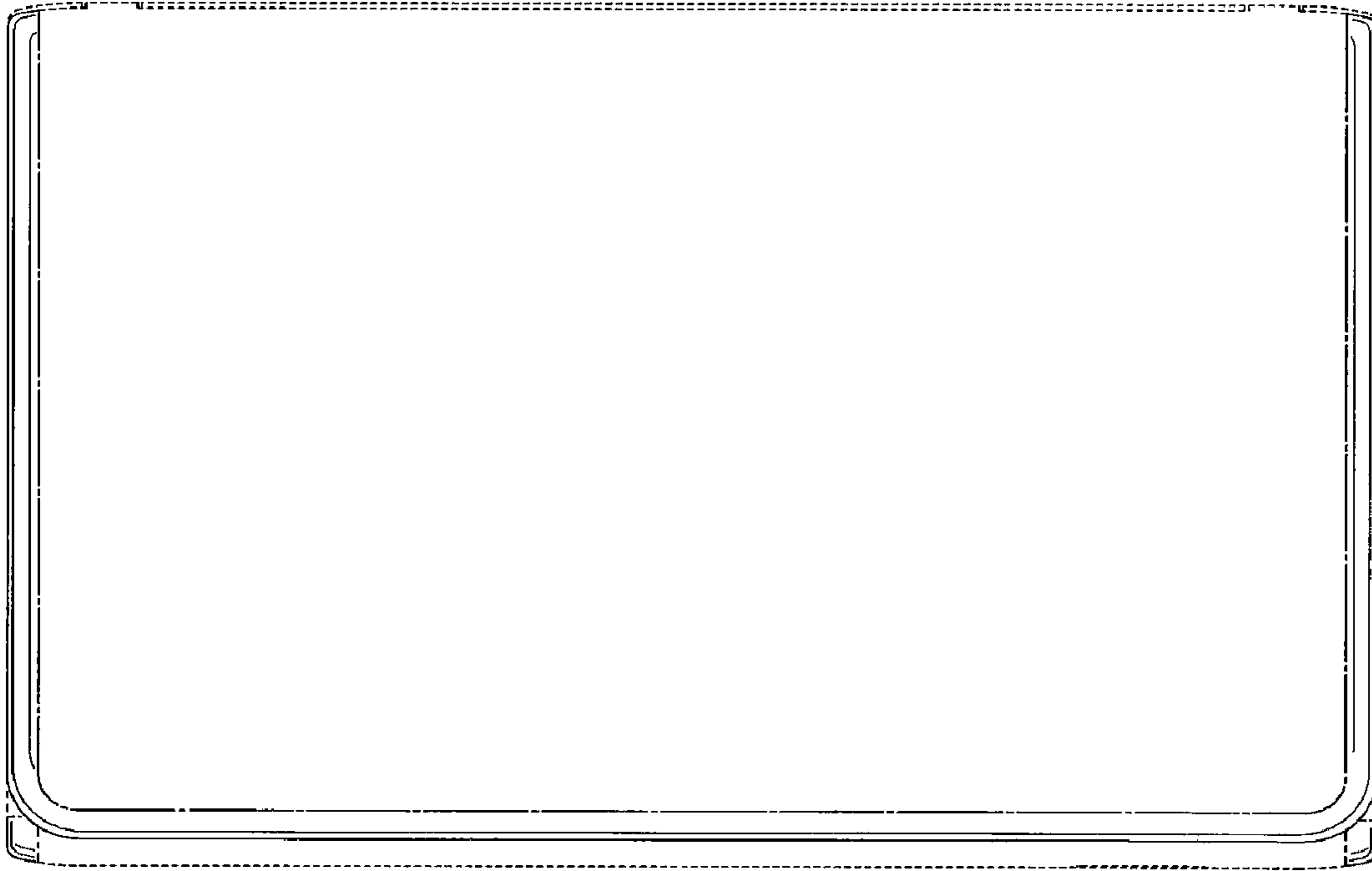


FIG.80

