



US00D660835S

(12) **United States Design Patent**  
**Cheng**

(10) **Patent No.:** **US D660,835 S**

(45) **Date of Patent:** **\*\* May 29, 2012**

(54) **ELECTRONIC DEVICE**

(76) Inventor: **Jeff Cheng**, Chicago, IL (US)

(\*\*) Term: **14 Years**

(21) Appl. No.: **29/413,352**

(22) Filed: **Feb. 14, 2012**

**Related U.S. Application Data**

(63) Continuation of application No. 29/377,052, filed on Oct. 15, 2010, now Pat. No. Des. 654,071.

(51) **LOC (9) Cl.** ..... **14-02**

(52) **U.S. Cl.** ..... **D14/318**

(58) **Field of Classification Search** ..... D14/315-328;  
D18/1, 2, 7, 11; 235/145 A, 145 R; 341/22,  
341/23; 345/104, 156, 168, 169, 173, 174,  
345/87, 901-905; 361/679.08-679.18, 679.27;  
400/486, 489; 178/18.05  
See application file for complete search history.

(56) **References Cited**

**U.S. PATENT DOCUMENTS**

4,990,900	A *	2/1991	Kikuchi	345/174
5,008,497	A *	4/1991	Asher	178/18.05
6,067,224	A *	5/2000	Nobuchi	361/679.27
D434,031	S *	11/2000	Koike et al.	D14/318
D479,840	S *	9/2003	Lu	D14/318
D480,079	S *	9/2003	Miao et al.	D14/315
D494,161	S *	8/2004	Sawaquchi	D14/318

D495,326	S *	8/2004	Horiki	D14/318
D517,063	S *	3/2006	Nakajima et al.	D14/318
2005/0041378	A1 *	2/2005	Hamada et al.	361/680
2008/0198542	A1 *	8/2008	Kim	361/683

\* cited by examiner

*Primary Examiner* — Freda S Nunn

(74) *Attorney, Agent, or Firm* — McAndrews, Held & Malloy, Ltd.

(57) **CLAIM**

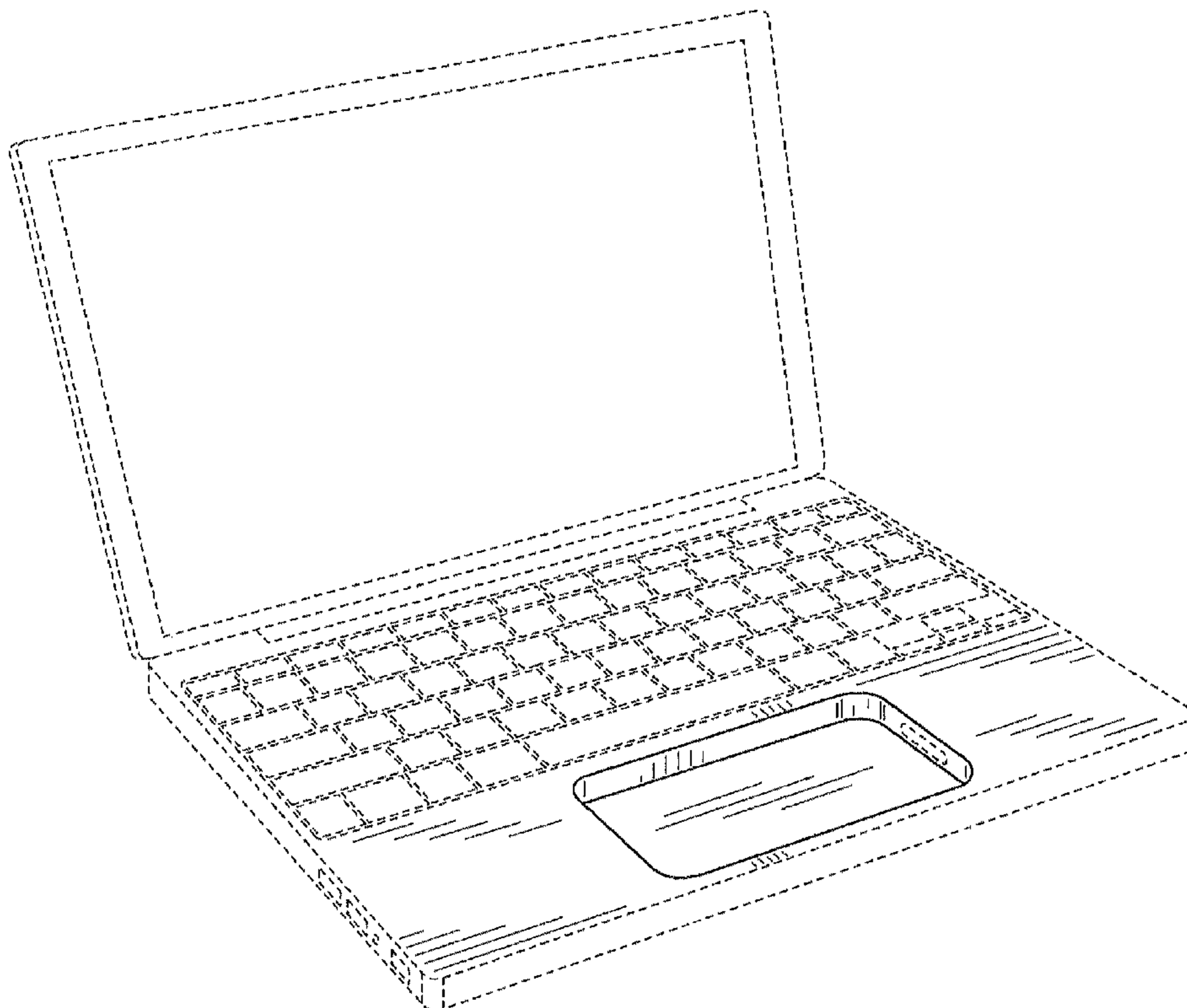
The ornamental design for an electronic device, as shown and described.

**DESCRIPTION**

FIG. 1 is a front, left, top perspective view of an electronic device showing my new design;  
FIG. 2 is a front, left, top perspective view thereof;  
FIG. 3 is a front, right, top perspective view thereof;  
FIG. 4 is a rear, left, top perspective view thereof;  
FIG. 5 is a rear, right, top perspective view thereof;  
FIG. 6 is a top plan view thereof;  
FIG. 7 is a front, left, top perspective view of a second embodiment of my new design for an electronic device;  
FIG. 8 is a front, right, top perspective view thereof;  
FIG. 9 is a rear, left, top perspective view thereof;  
FIG. 10 is a rear, right, top perspective view thereof; and,  
FIG. 11 is a top plan view thereof.

The broken lines in the drawings represent environmental subject matter and form no part of the claimed design.

**1 Claim, 11 Drawing Sheets**



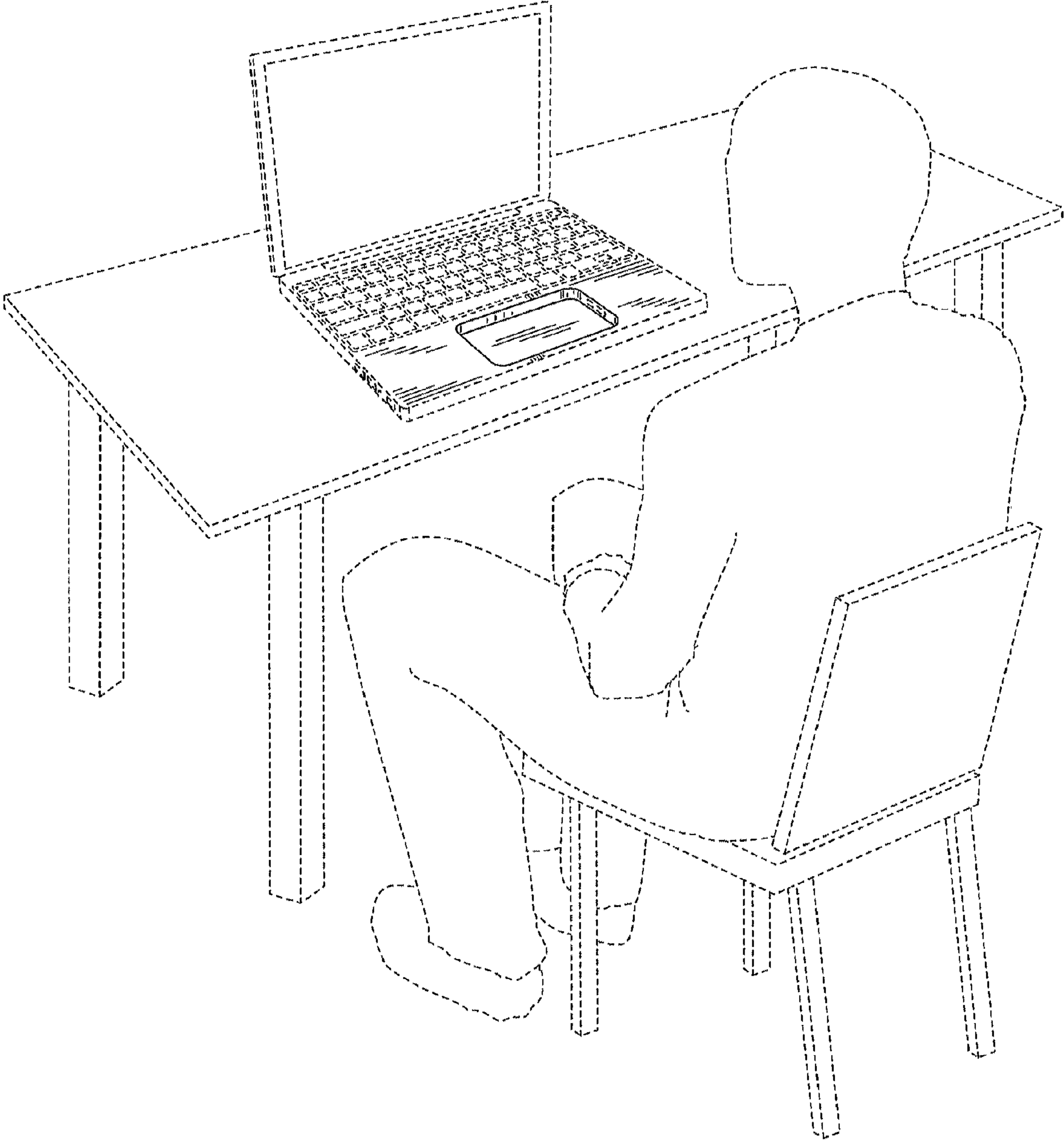


FIG. 1

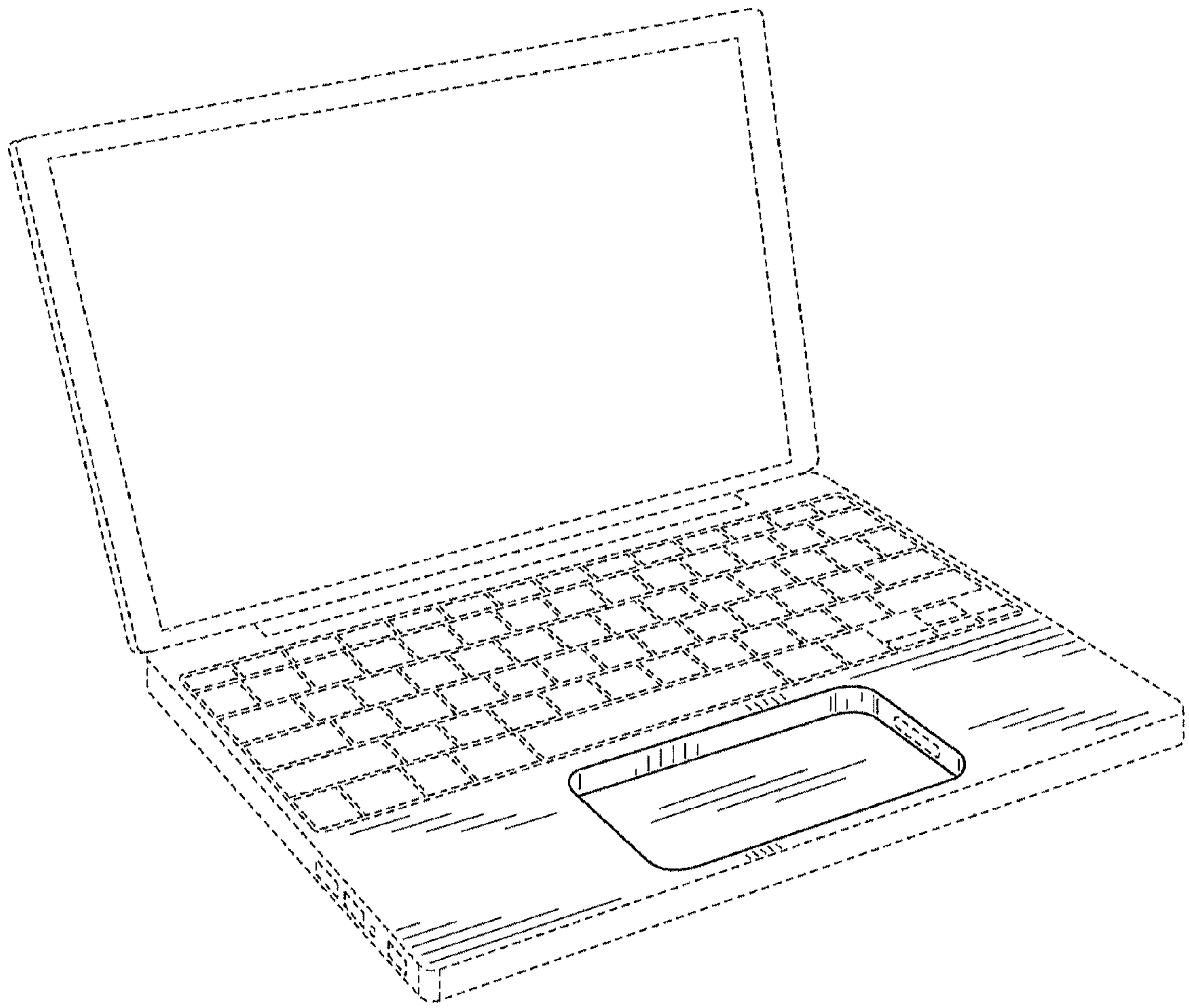


FIG. 2

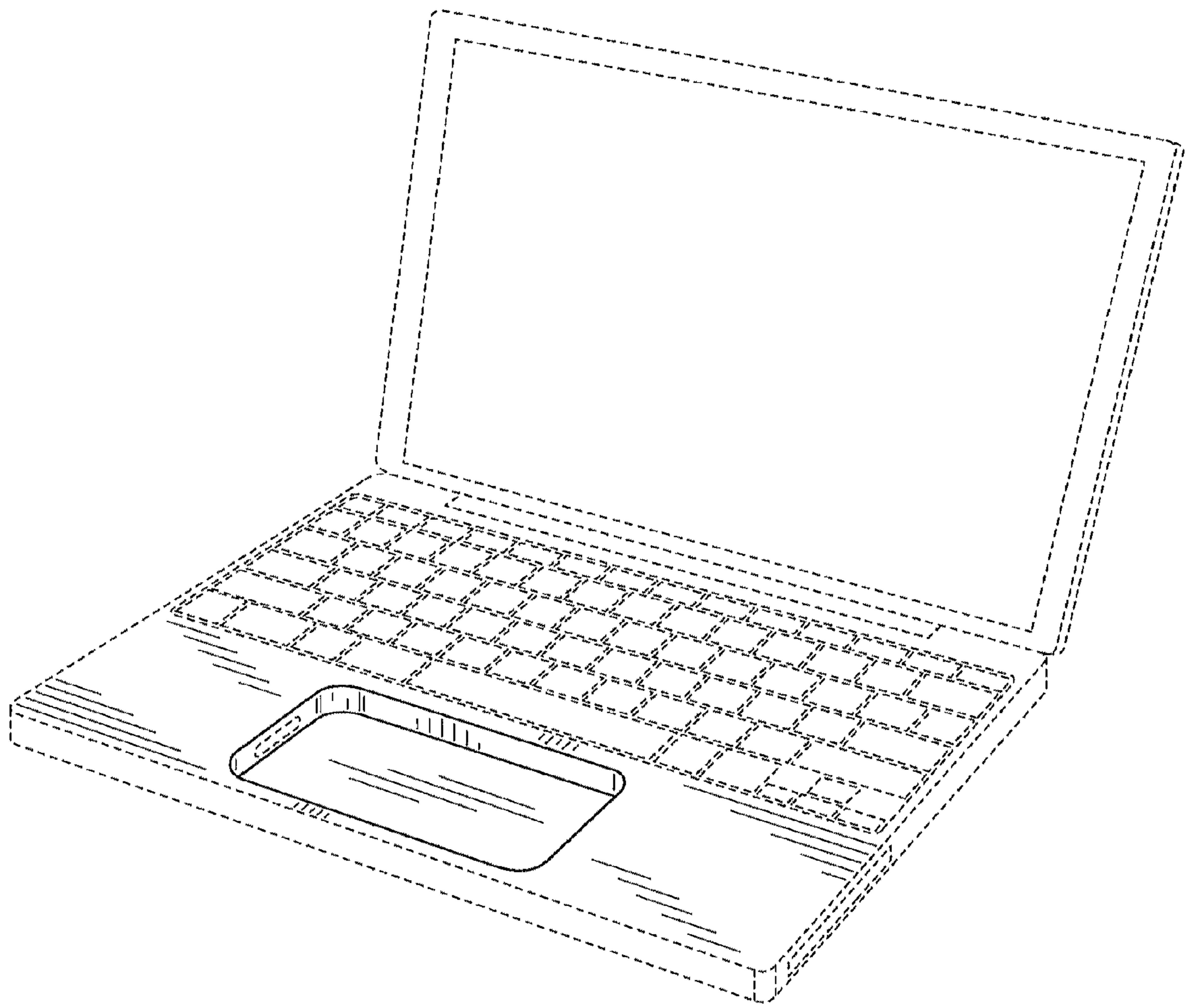


FIG. 3

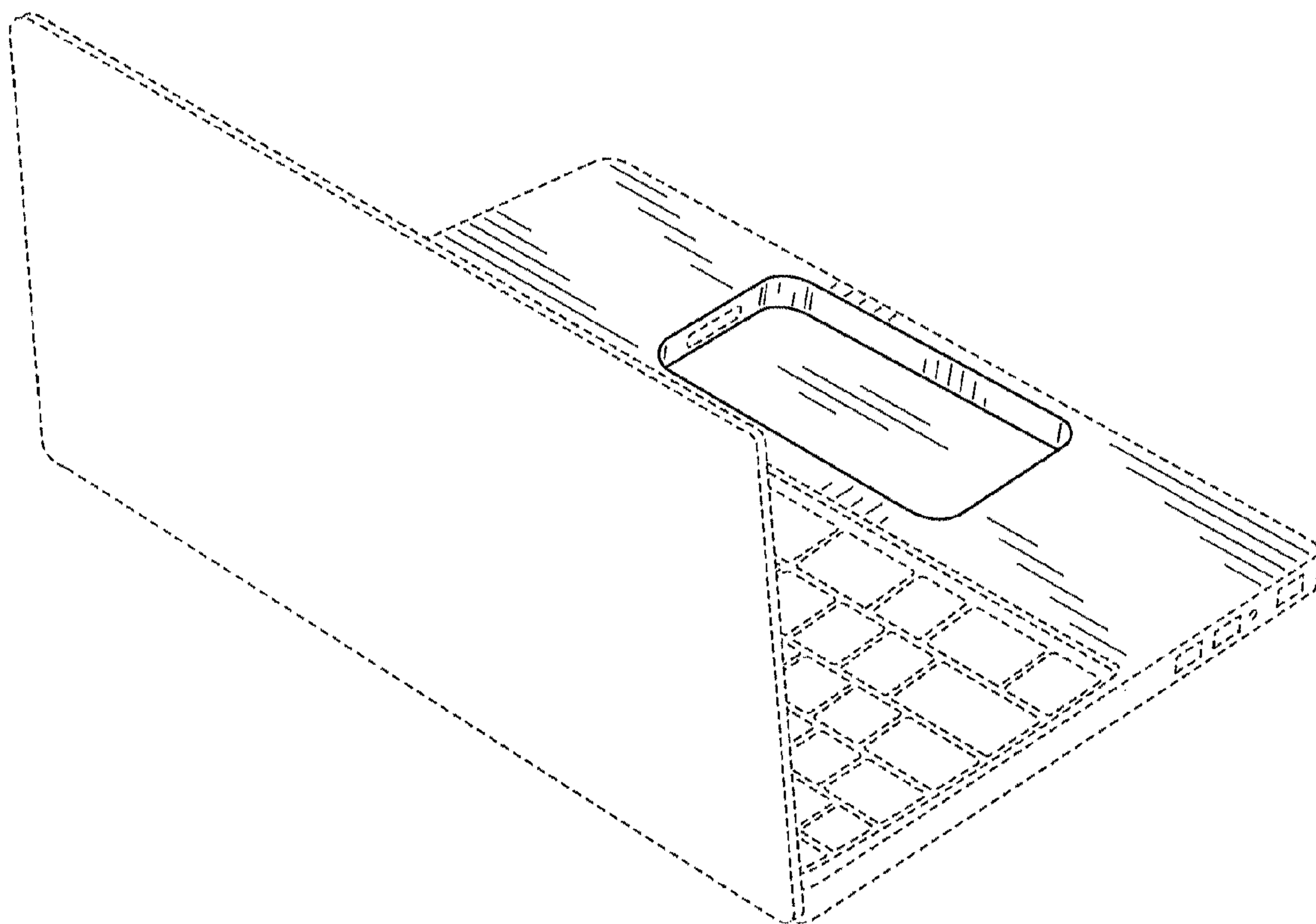


FIG. 4

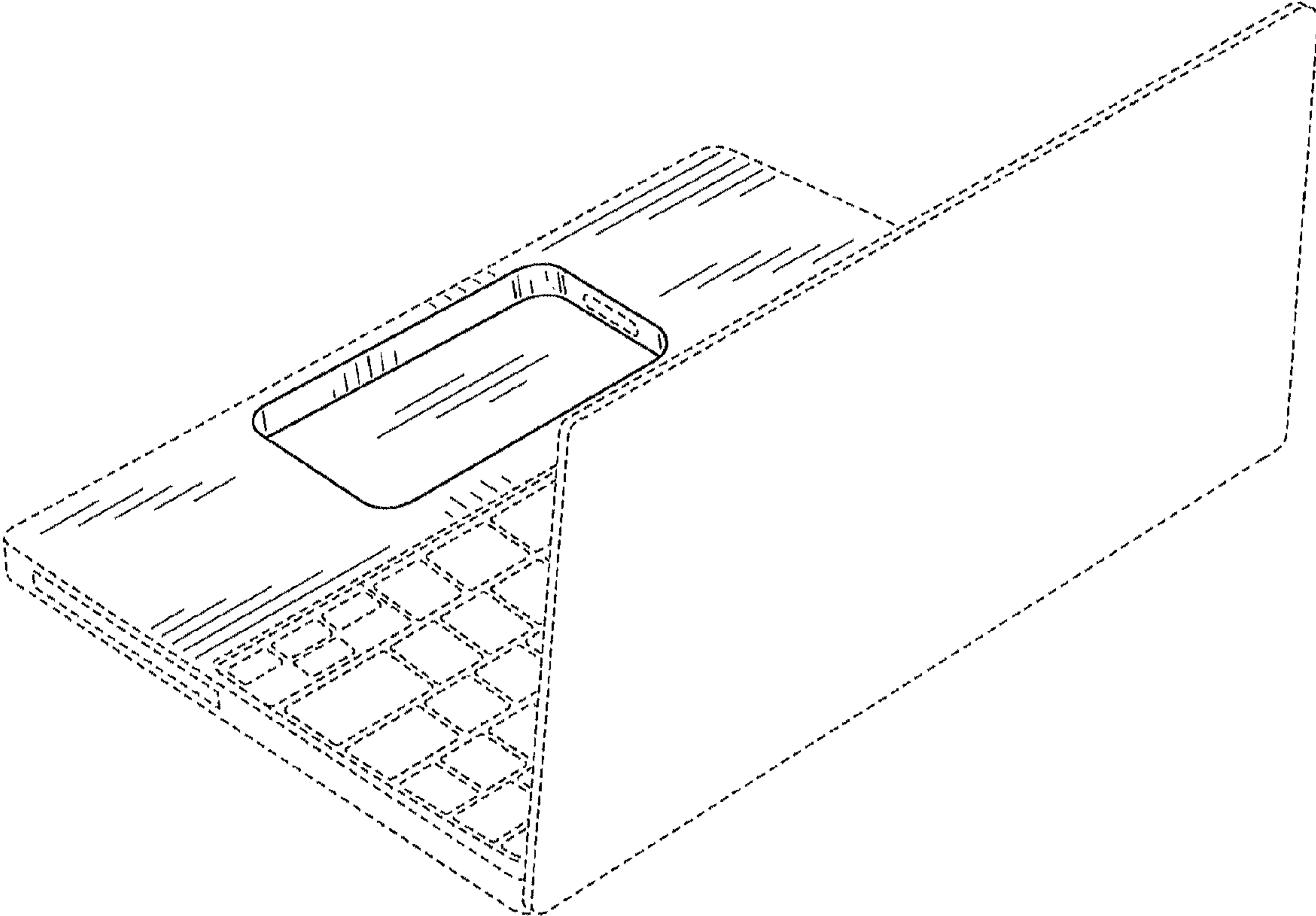


FIG. 5

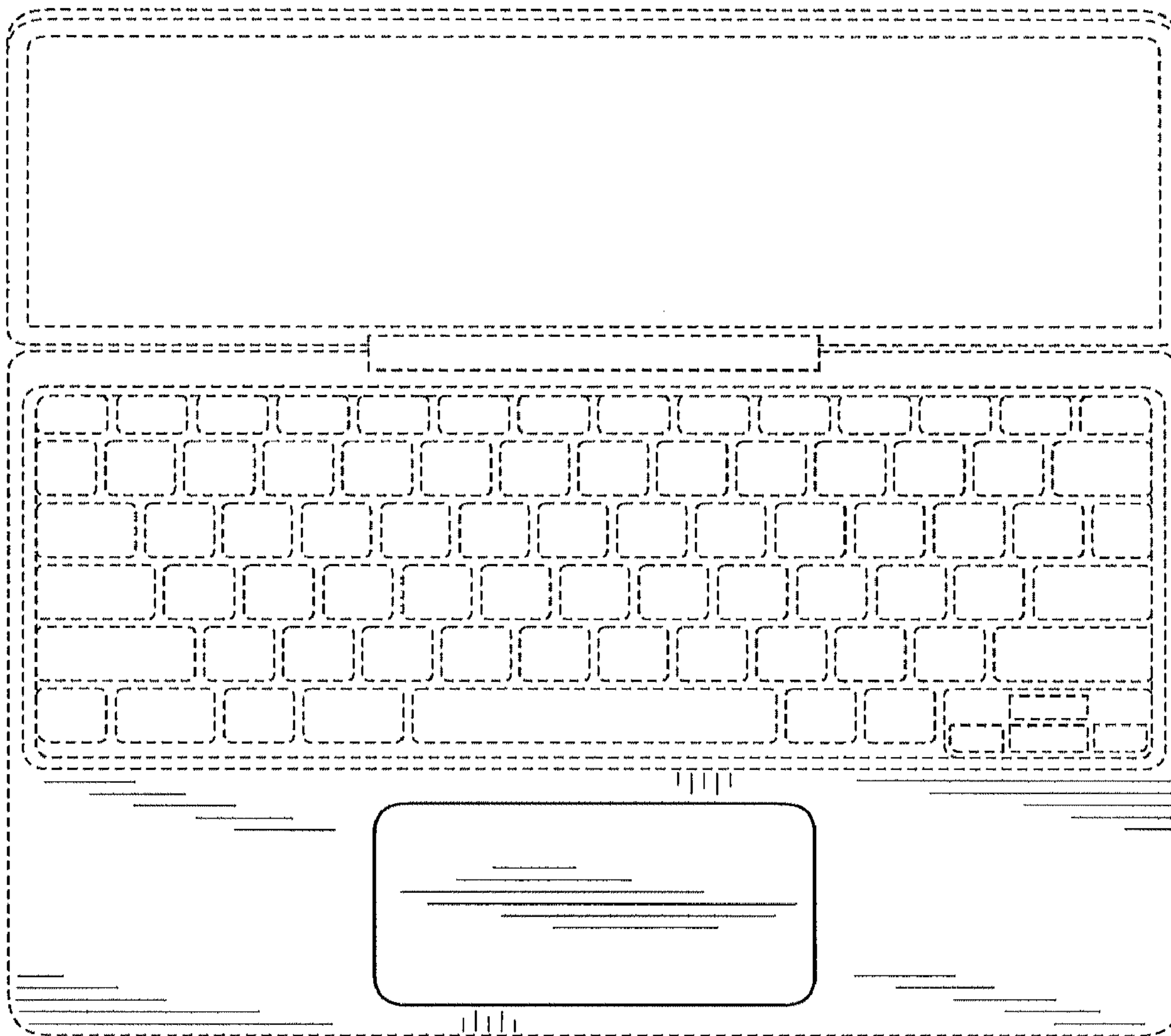


FIG. 6

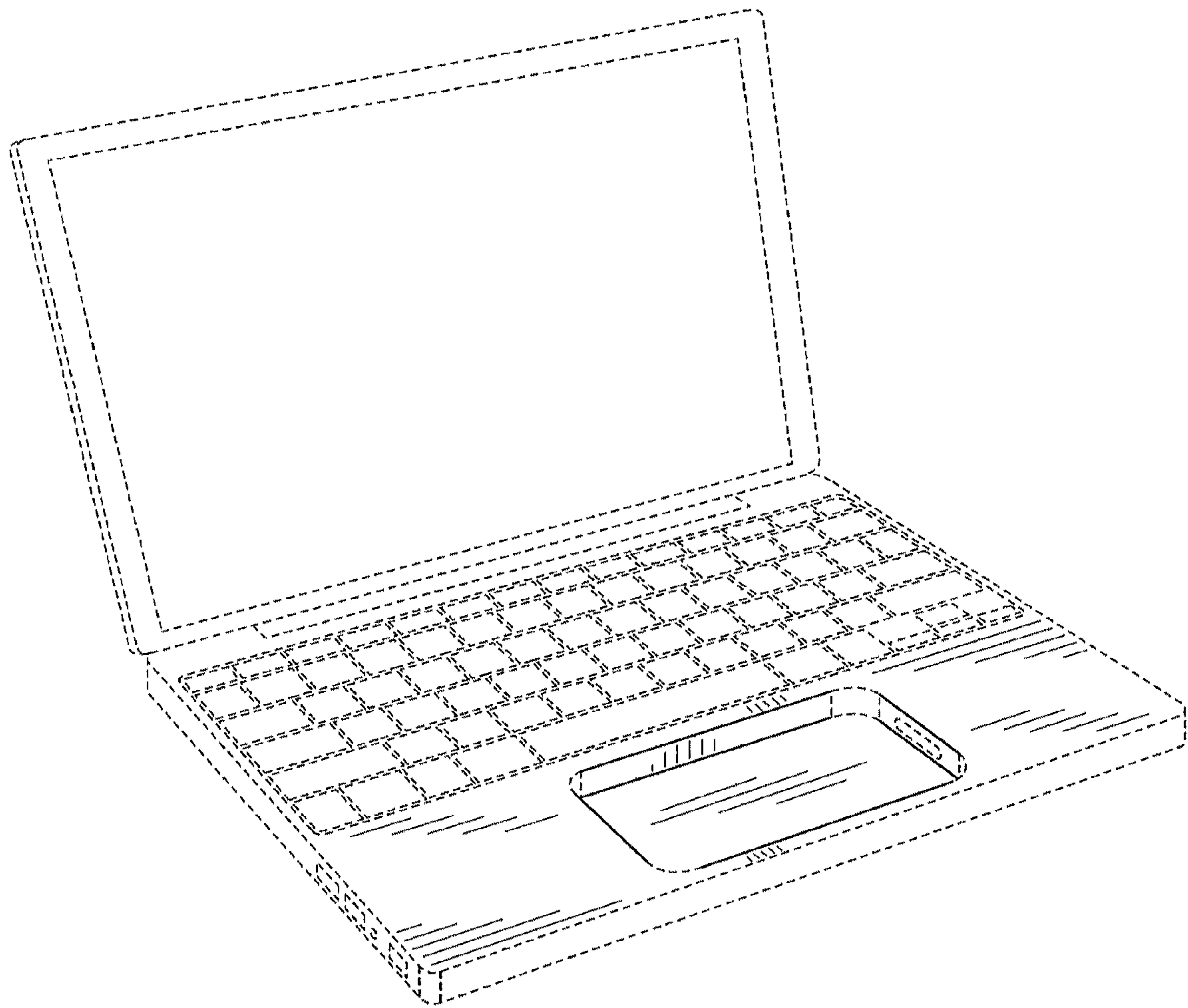


FIG. 7



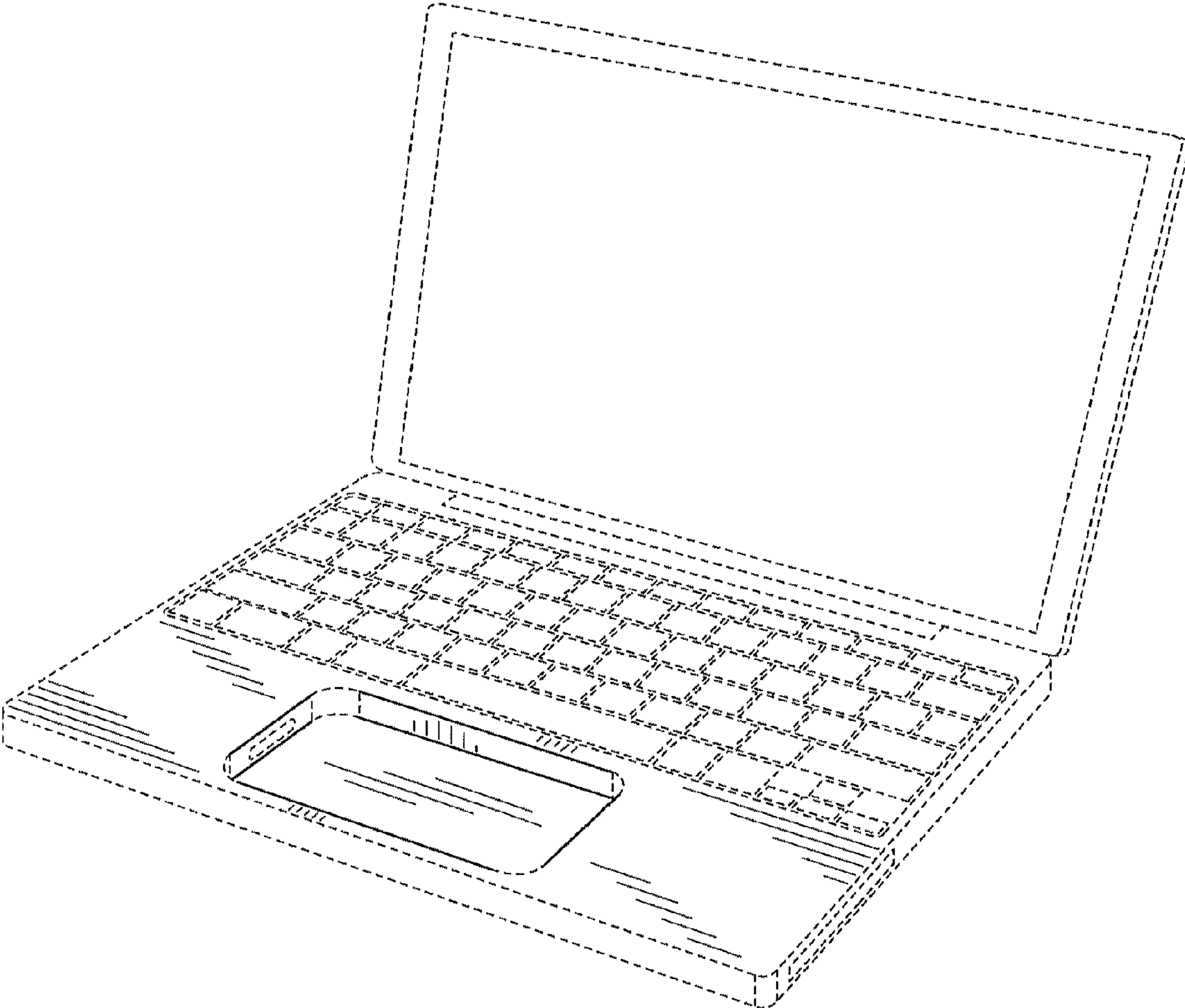


FIG. 8

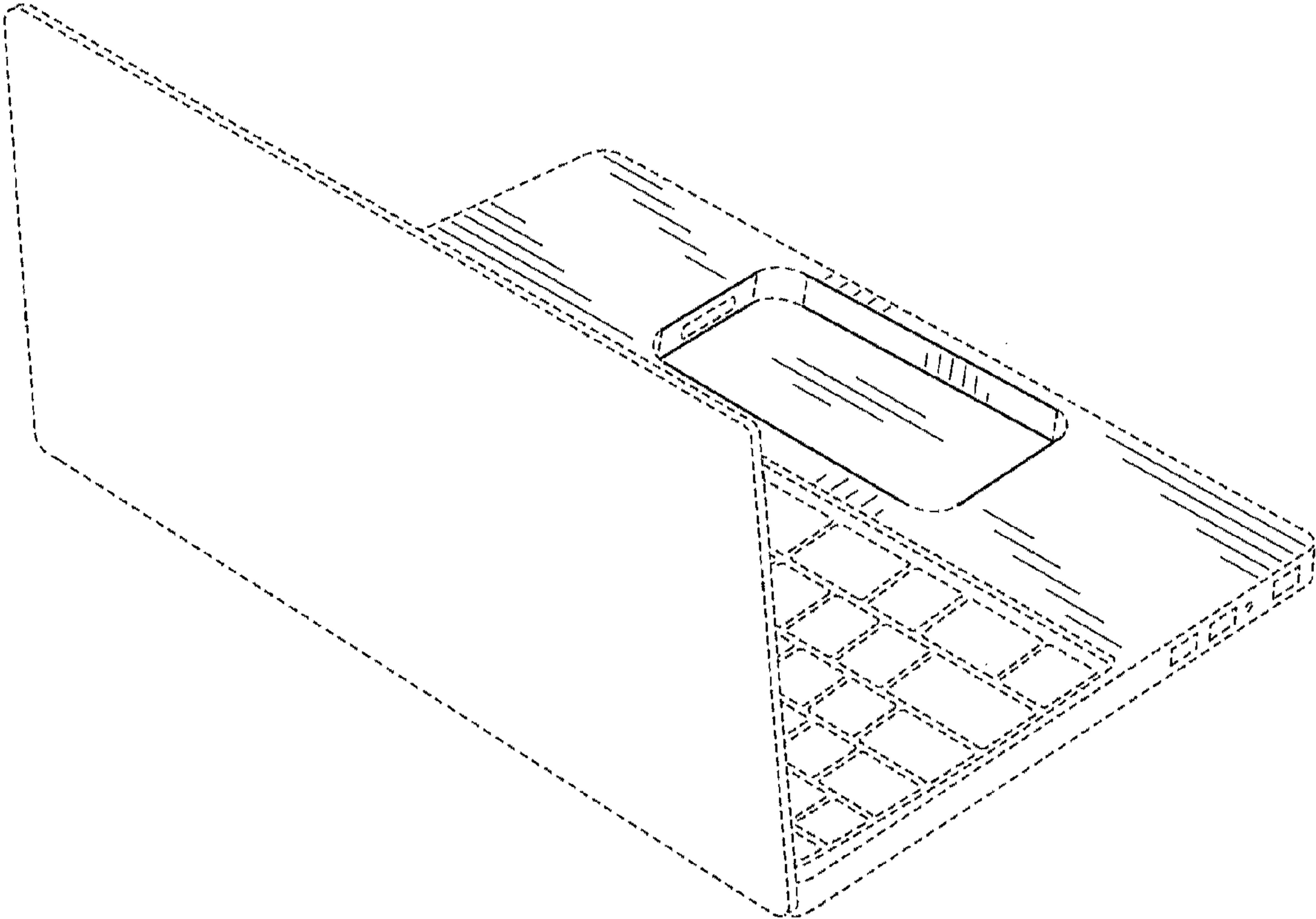


FIG. 9

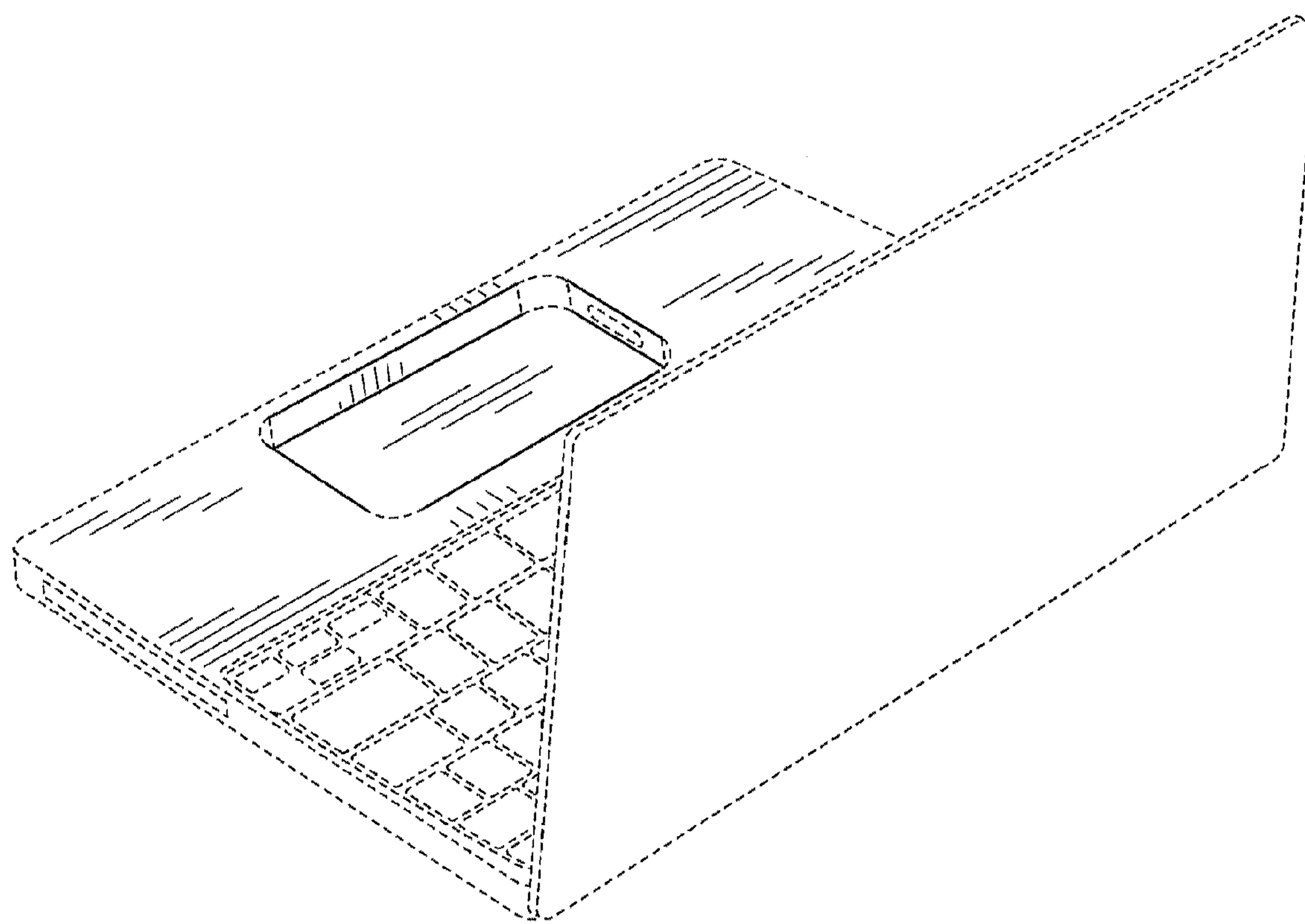


FIG. 10

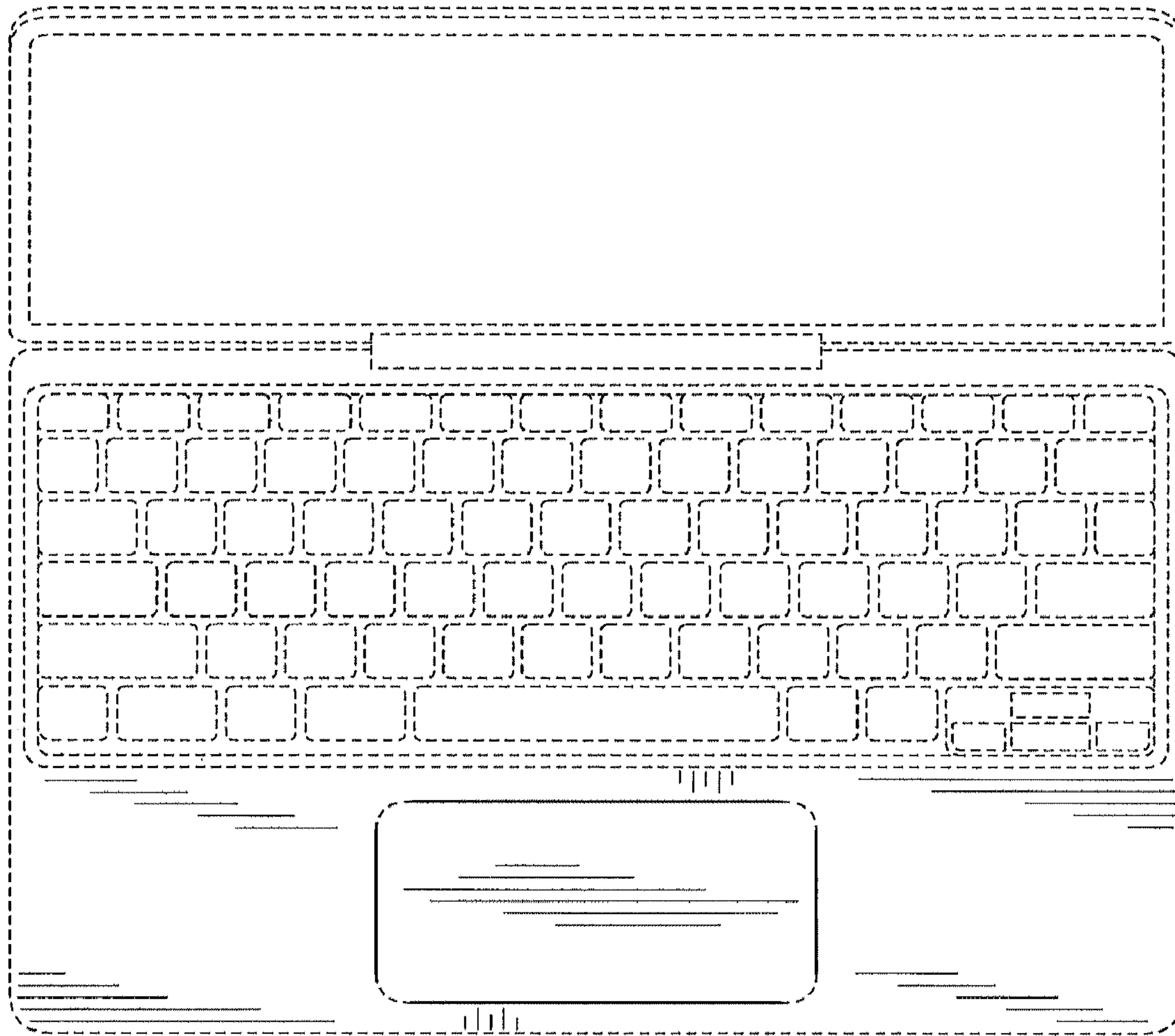


FIG. 11