



US00D660834S

(12) **United States Design Patent**
Akana et al.

(10) **Patent No.:** **US D660,834 S**

(45) **Date of Patent:** **** *May 29, 2012**

(54) **ELECTRONIC DEVICE**

(75) Inventors: **Jody Akana**, San Francisco, CA (US);
Bartley K. Andre, Menlo Park, CA
(US); **Jeremy Bataillou**, San Francisco,
CA (US); **Daniel J. Coster**, San
Francisco, CA (US); **Daniele De Iuliis**,
San Francisco, CA (US); **Evans**
Hankey, San Francisco, CA (US);
Richard P. Howarth, San Francisco, CA
(US); **Jonathan P. Ive**, San Francisco,
CA (US); **Duncan Robert Kerr**, San
Francisco, CA (US); **Shin Nishibori**,
Portola Valley, CA (US); **Matthew Dean**
Rohrbach, San Francisco, CA (US);
Peter Russell-Clarke, San Francisco,
CA (US); **Christopher J. Stringer**,
Woodside, CA (US); **Eugene Antony**
Whang, San Francisco, CA (US); **Rico**
Zorkendorfer, San Francisco, CA (US)

(73) Assignee: **Apple, Inc.**, Cupertino, CA (US)

(*) Notice: This patent is subject to a terminal dis-
claimer.

(**) Term: **14 Years**

(21) Appl. No.: **29/405,931**

(22) Filed: **Nov. 8, 2011**

Related U.S. Application Data

(62) Division of application No. 29/368,938, filed on Aug.
31, 2010, now Pat. No. Des. 650,377.

(51) **LOC (9) Cl.** **14-02**

(52) **U.S. Cl.** **D14/314**

(58) **Field of Classification Search** D14/314,
D14/348, 363-369, 353-356, 125, 496; D13/162,
D13/184, 199; 312/223.1-223.3; 360/99.01-99.12;
361/679.01; 369/34.01, 36.01

See application file for complete search history.

(56) **References Cited**

U.S. PATENT DOCUMENTS

D297,007 S	8/1988	Pushelberg
D373,117 S	8/1996	Barthelemy et al.
D390,220 S	2/1998	Matsuoka
D426,831 S	6/2000	Hu
D435,845 S	1/2001	Piersol
D461,187 S	8/2002	Andre et al.
D484,128 S	12/2003	Chung
D491,563 S	6/2004	Sato et al.

(Continued)

FOREIGN PATENT DOCUMENTS

JP	1241895	6/2005
----	---------	--------

(Continued)

OTHER PUBLICATIONS

Eyegonomic, Eyegonomic Eyebox, www.prweb.com, available at
least as early as Mar. 10, 2004.

(Continued)

Primary Examiner — Freda S Nunn

(74) *Attorney, Agent, or Firm* — SAIDMAN DesignLaw
Group

(57) **CLAIM**

The ornamental design for an electronic device, as shown and
described.

DESCRIPTION

FIG. 1 is a top, front perspective view of an electronic device
showing our new design;

FIG. 2 is a bottom, rear perspective view thereof;

FIG. 3 is a front view thereof;

FIG. 4 is rear view thereof;

FIG. 5 is a left side view thereof;

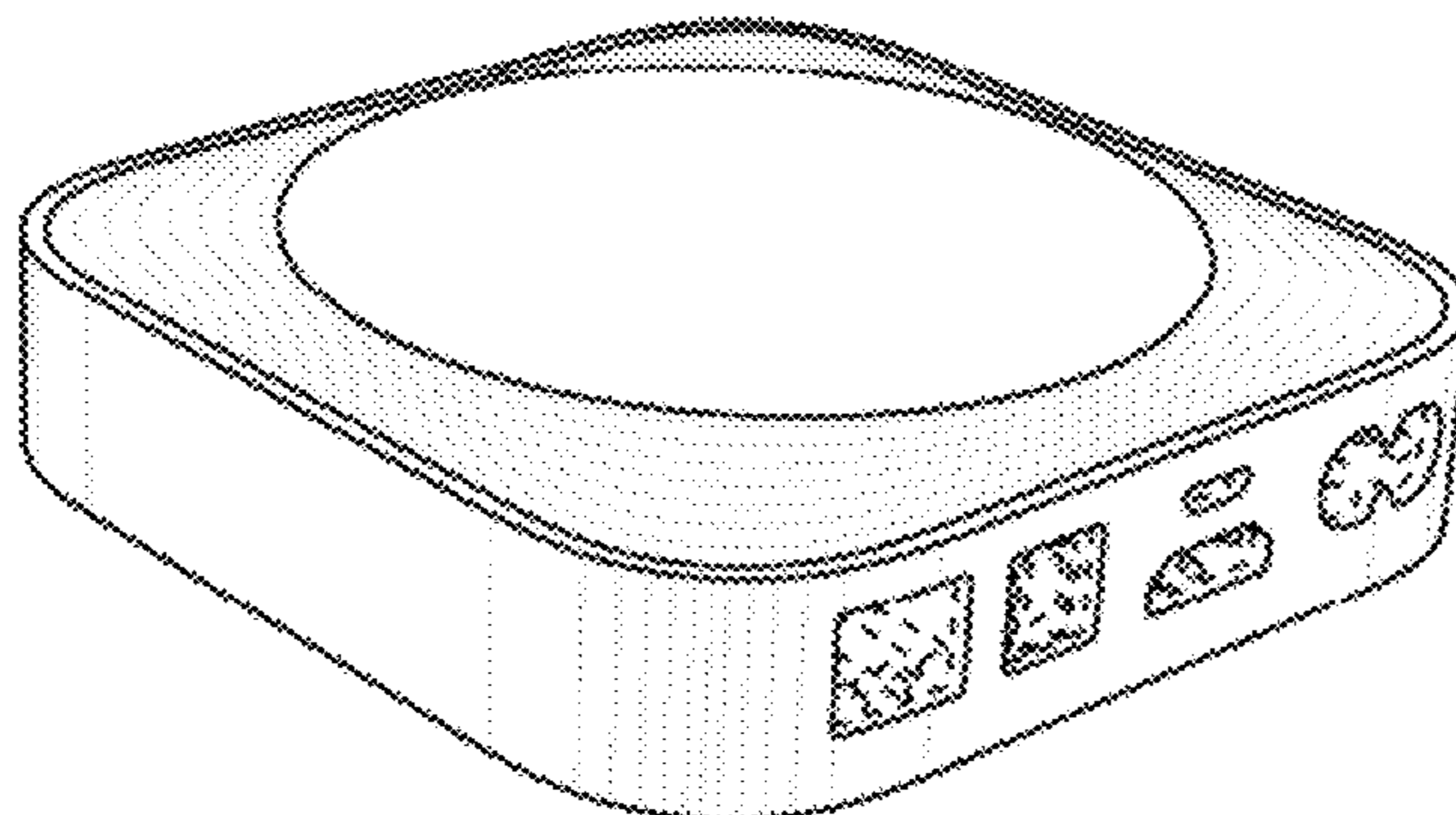
FIG. 6 is a right side view thereof;

FIG. 7 is a top view thereof; and,

FIG. 8 is a bottom view thereof.

The broken lines are for the purpose of illustrating portions of
the electronic device and form no part of the claimed design.
The relatively light gray shade lines on the surface portions
indicate contour and not surface decoration.

1 Claim, 3 Drawing Sheets



US D660,834 S

Page 2

U.S. PATENT DOCUMENTS

D494,579 S 8/2004 Chuang et al.
D508,899 S 8/2005 Suzuki
6,933,928 B1 8/2005 Lilienthal
D520,519 S 5/2006 Chin et al.
D522,531 S 6/2006 Solomon et al.
D526,648 S 8/2006 Andre et al.
D530,717 S 10/2006 Mori
D533,177 S 12/2006 Andre et al.
D537,817 S 3/2007 Andre et al.
D540,318 S 4/2007 Wang
D542,288 S 5/2007 Andre et al.
D558,790 S 1/2008 Yu et al.
D563,994 S 3/2008 Liu et al.
D580,933 S 11/2008 Ju et al.
D587,267 S 2/2009 Wang
D590,827 S 4/2009 Song
D594,474 S 6/2009 Hansen et al.
D594,876 S 6/2009 Hwang
D594,877 S 6/2009 Iino et al.
D596,177 S 7/2009 Steele et al.
D596,626 S 7/2009 Andre et al.
D599,753 S 9/2009 Cho et al.
D601,583 S 10/2009 Andre et al.
D601,585 S 10/2009 Andre et al.
D604,729 S 11/2009 Andre et al.
D605,145 S 12/2009 Kellar
D613,283 S 4/2010 Andre et al.
D618,232 S 6/2010 O'Neil et al.

D620,953 S 8/2010 Andre et al.
D621,397 S 8/2010 Andre et al.
D650,377 S * 12/2011 Akana et al. D14/314
2006/0146491 A1 7/2006 Chen
2008/0062636 A1 3/2008 Liu

FOREIGN PATENT DOCUMENTS

JP 1241896 6/2005

OTHER PUBLICATIONS

Eyegonomic, Eyegonomic Eyebox, www.eyegonomic.com/page=205, available at least as early as Feb. 7, 2005.
Green House, Mac Mini, www.green-house.co.jp, Nov. 14, 2005.
Office action dated Apr. 22, 2008 in U.S. Appl. No. 29/266,005 entitled "Media Device".
Office action dated Apr. 23, 2008 in U.S. Appl. No. 29/265,955 entitled "Media Device".
Office action dated Nov. 19, 2008 in U.S. Appl. No. 29/265,955 entitled "Media Device".
Office action dated Nov. 25, 2008 in U.S. Appl. No. 29/266,005 entitled "Media Device".
http://www.amazon.com/gp/product/images/B000CDR8PU/ref=dp_othersviews_3?ie=UTF8&s=electronics&simg=3, first available Apr. 2, 2004.
U.S. Appl. No. 29/363,840 entitled "Electronic Device" filed Jun. 15, 2010.

* cited by examiner

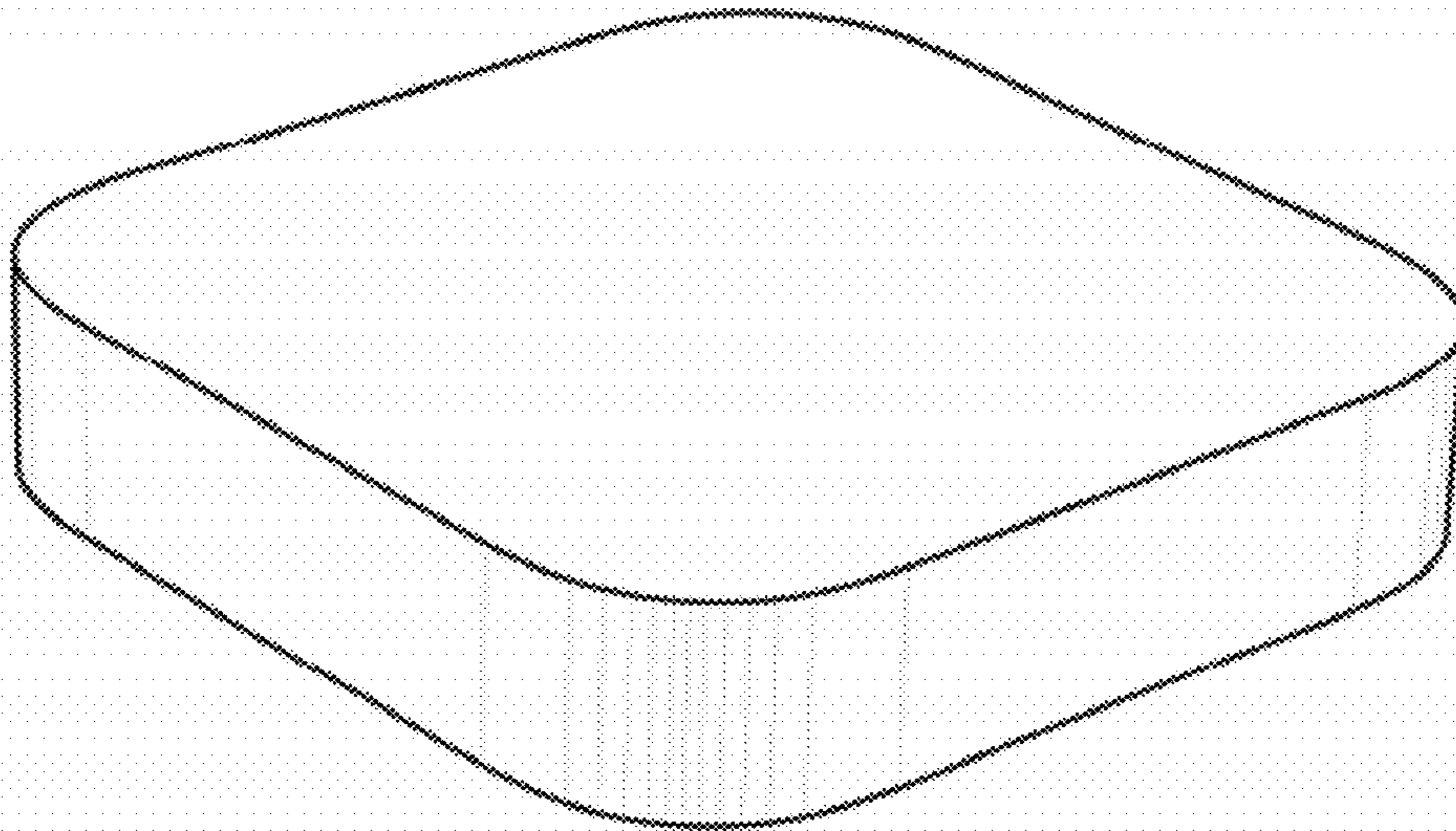


FIG. 1

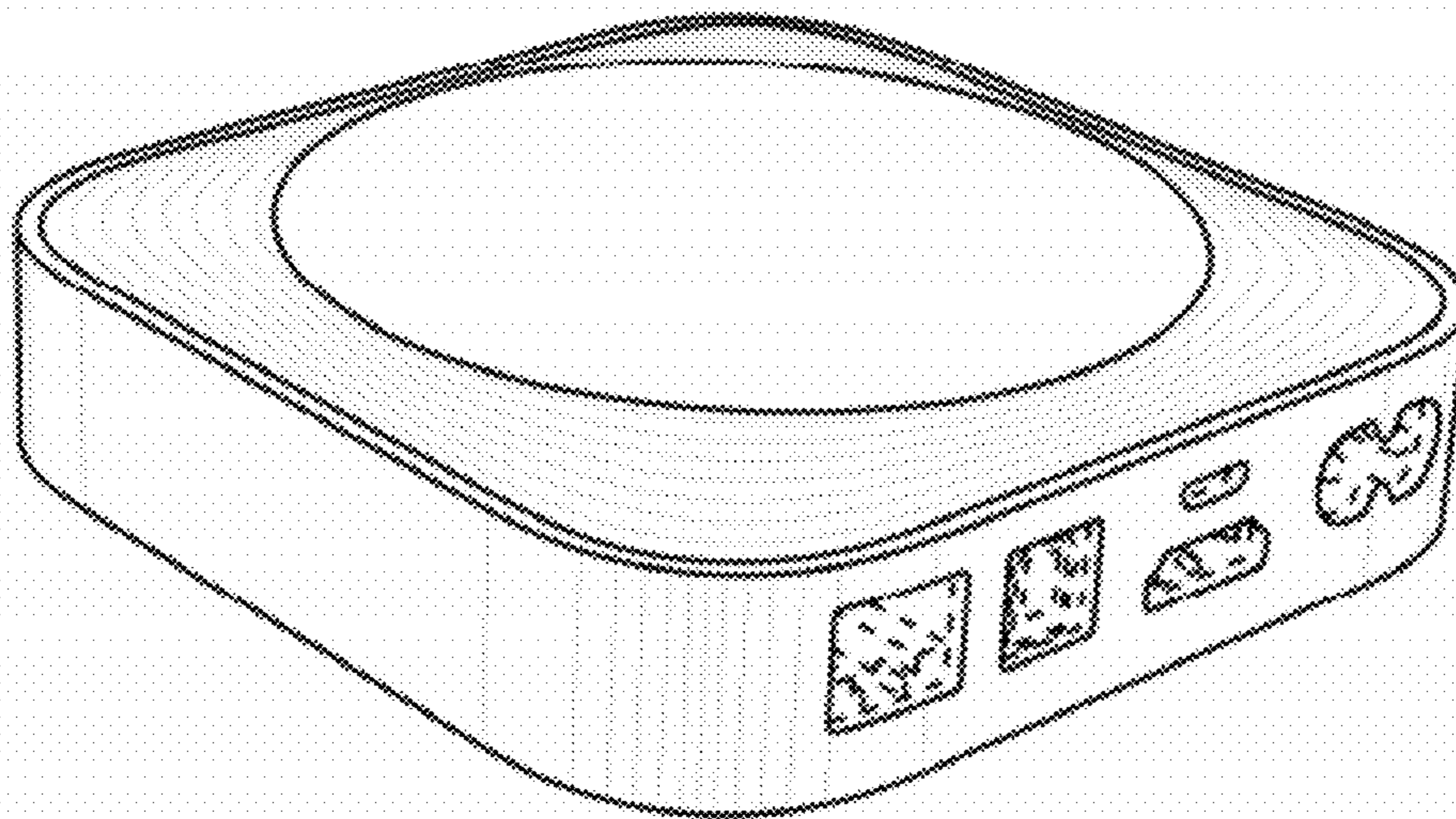


FIG. 2

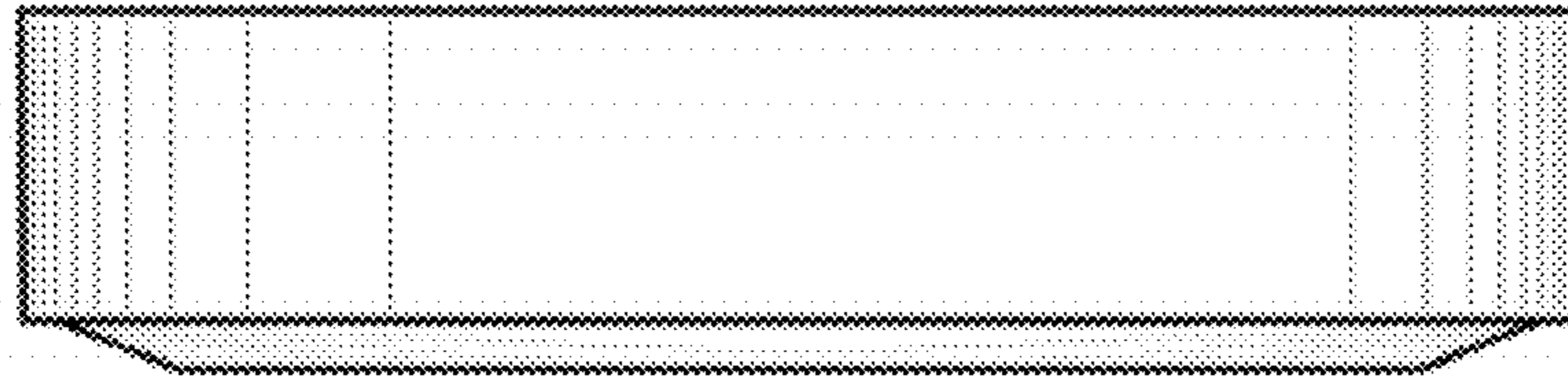


FIG. 3

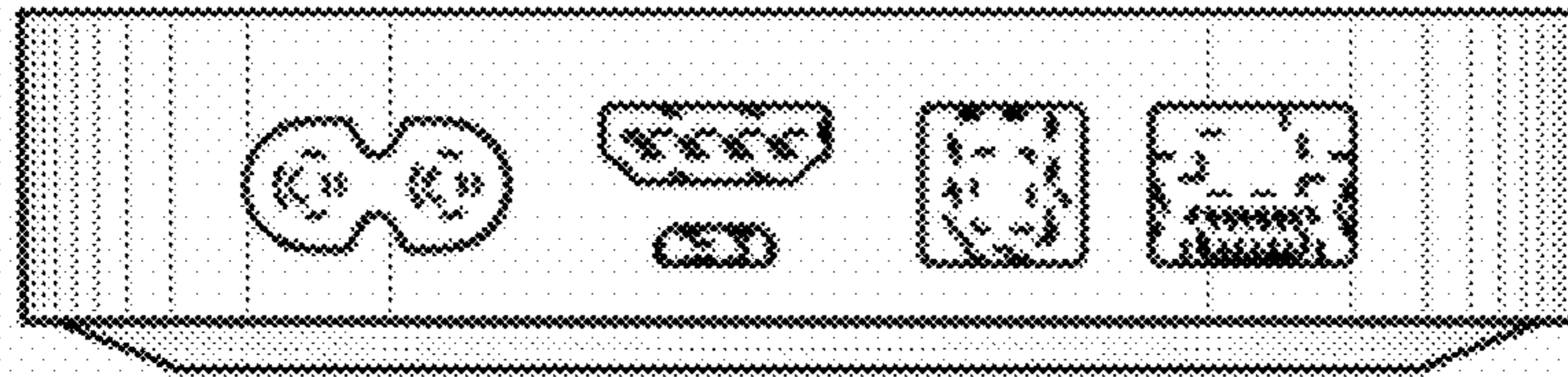


FIG. 4

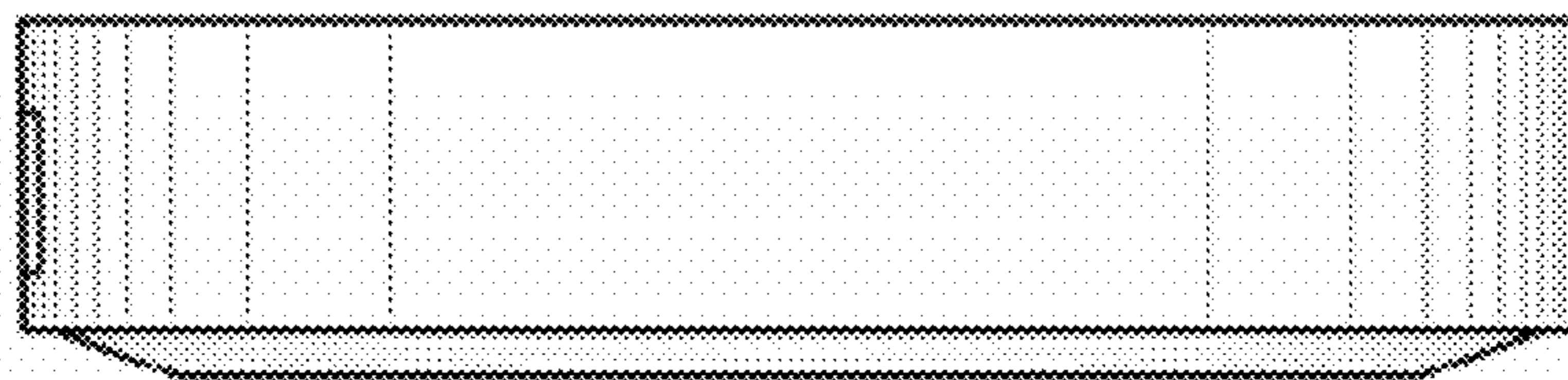


FIG. 5

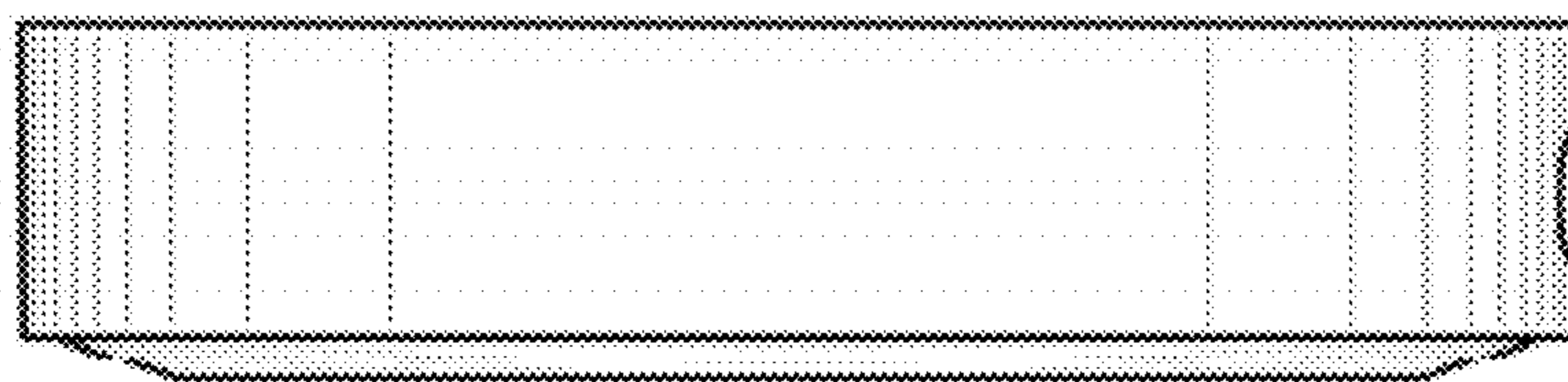


FIG. 6

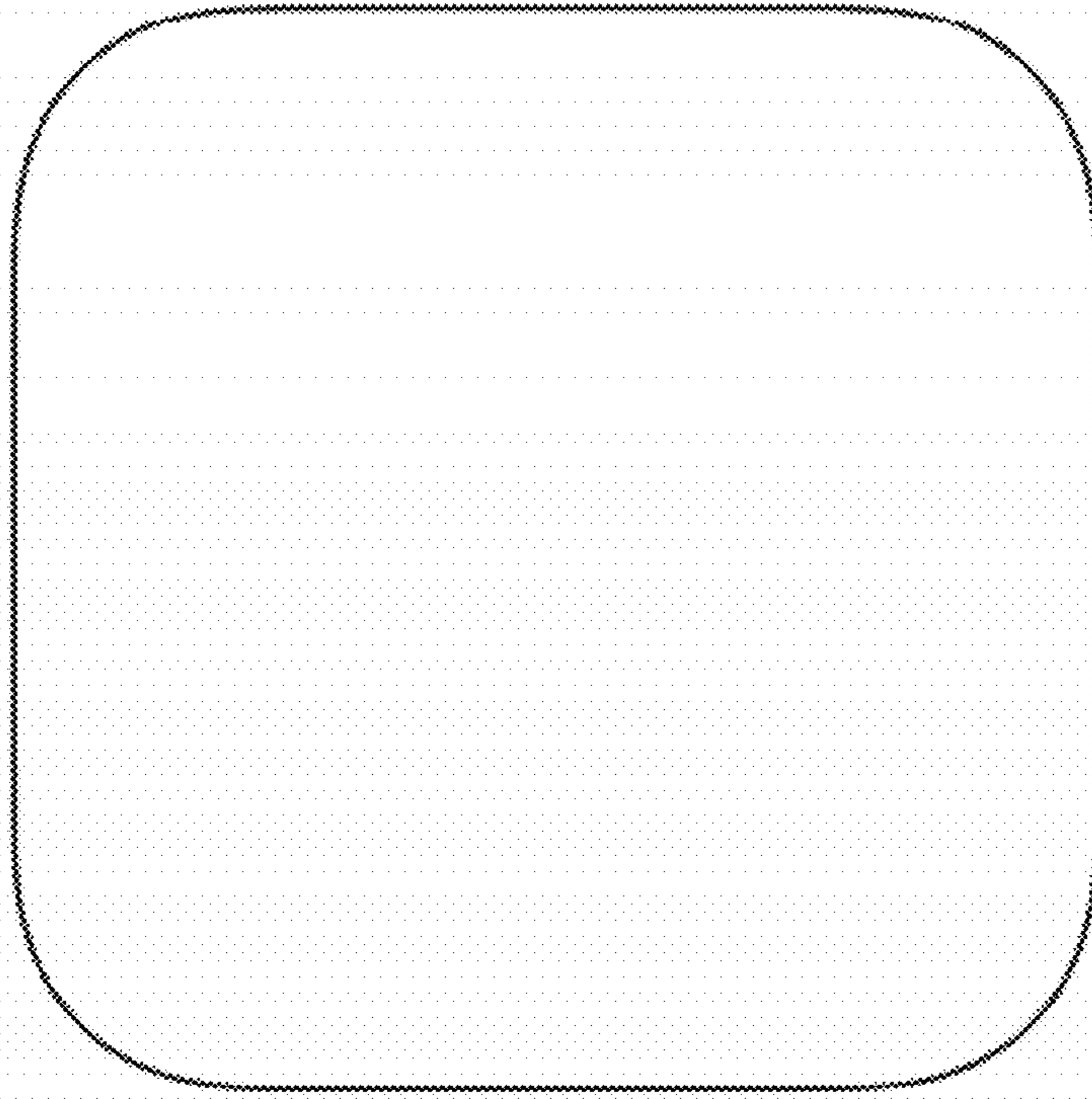


FIG. 7

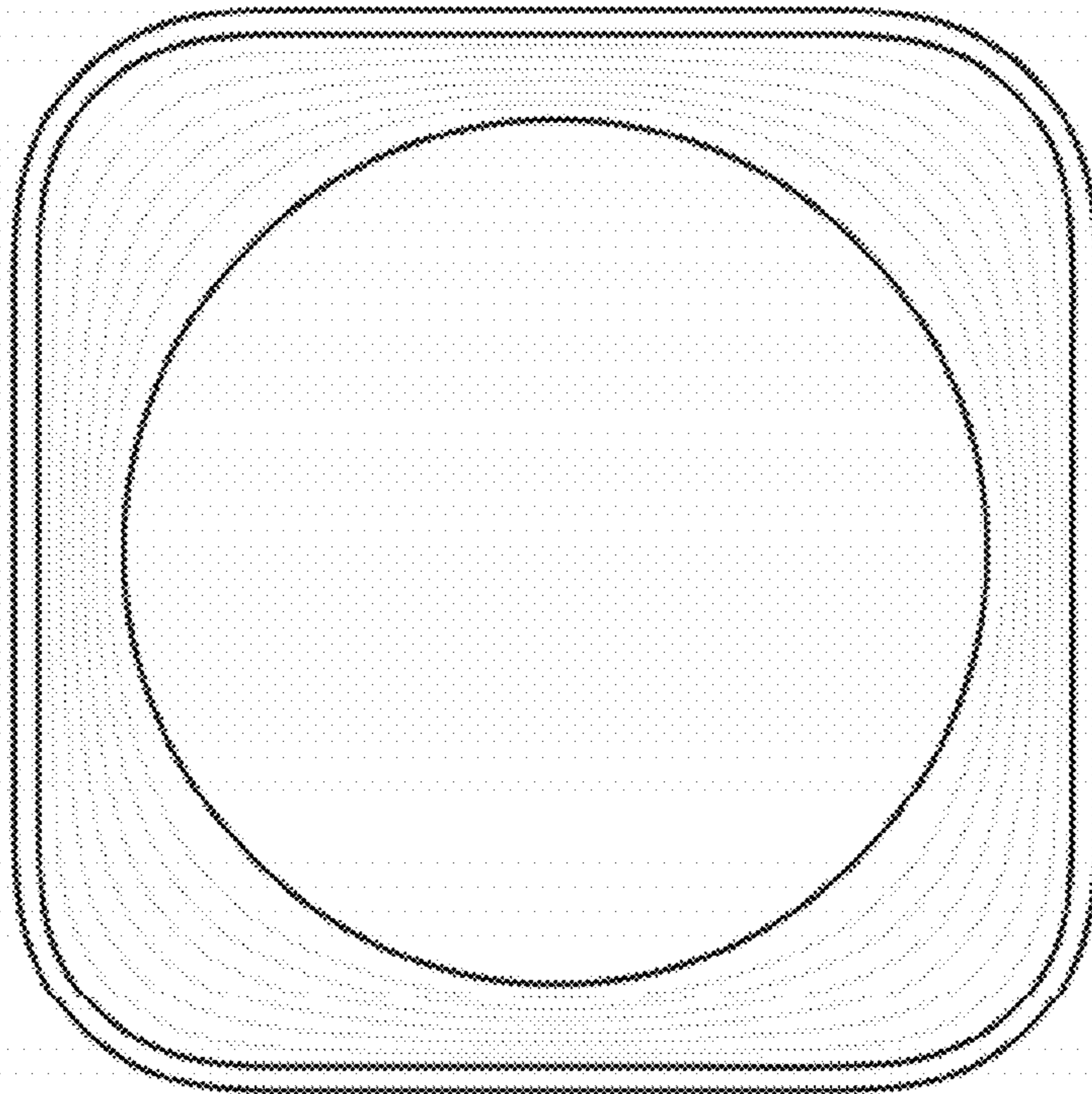


FIG. 8

UNITED STATES PATENT AND TRADEMARK OFFICE
CERTIFICATE OF CORRECTION

PATENT NO. : D660,834 S
APPLICATION NO. : 29/405931
DATED : May 29, 2012
INVENTOR(S) : Jody Akana et al.

Page 1 of 1

It is certified that error appears in the above-identified patent and that said Letters Patent is hereby corrected as shown below:

Title Page, Item (73) Assignee: should be changed from: APPLE, INC. to APPLE INC.

Signed and Sealed this
Nineteenth Day of June, 2012

A handwritten signature in black ink that reads "David J. Kappos". The signature is written in a cursive, slightly slanted style.

David J. Kappos
Director of the United States Patent and Trademark Office