



US00D660833S

(12) **United States Design Patent**
Bau

(10) **Patent No.:** **US D660,833 S**

(45) **Date of Patent:** **** May 29, 2012**

(54) **COMBINATION OF PROTECTIVE CASING AND STAND FOR PORTABLE HANDHELD ELECTRONIC DEVICE**

(75) Inventor: **Chi Yun Steven Bau**, Kowloon (HK)

(73) Assignee: **SwitchEasy Limited**, Kowloon (HK)

(**) Term: **14 Years**

(21) Appl. No.: **29/376,618**

(22) Filed: **Oct. 8, 2010**

(30) **Foreign Application Priority Data**

Apr. 13, 2010 (HK) 1000653.6M001

(51) **LOC (9) Cl.** **14-03**

(52) **U.S. Cl.** **D14/250**

(58) **Field of Classification Search** D3/201, D3/215, 218, 269, 273, 294; D14/140, 142, D14/203.3, 217, 218, 240, 242, 250-253, D14/299, 358, 440, 450; D13/103, 107, D13/108.119; 220/4.02; 224/119, 191, 240, 224/241, 245, 682, 683; 248/309.1; 361/679.3, 361/679.56; 379/454, 455; 455/575.1, 575.6, 455/575.7, 575.8, 575.9; 190/100; 206/305, 206/320

See application file for complete search history.

(56) **References Cited**

U.S. PATENT DOCUMENTS

D323,504 S * 1/1992 Langton D14/142
D408,128 S * 4/1999 Sheiner D3/203.2
D594,659 S * 6/2009 Lown et al. D3/299

D614,402 S * 4/2010 Lown et al. D3/303
D620,258 S * 7/2010 Fahrendorff D3/299
D620,259 S * 7/2010 Fahrendorff et al. D3/303
D621,154 S * 8/2010 Lown et al. D3/267
2005/0045525 A1 * 3/2005 Bryant 206/769
2005/0067319 A1 * 3/2005 Wei 206/576
2009/0114557 A1 * 5/2009 Nelson 206/320
2011/0290676 A1 * 12/2011 Kershenstein 206/37

* cited by examiner

Primary Examiner — Raphael Barkai

Assistant Examiner — Randall Gholson

(74) *Attorney, Agent, or Firm* — Sughrue Mion, PLLC

(57) **CLAIM**

The ornamental design for a combination of protective casing and stand for portable handheld electronic device, as shown and described.

DESCRIPTION

FIG. 1 is a front perspective view of the combination of protective casing and stand for portable handheld electronic device;

FIG. 2 is a front elevation view of thereof;

FIG. 3 is a rear elevation view thereof;

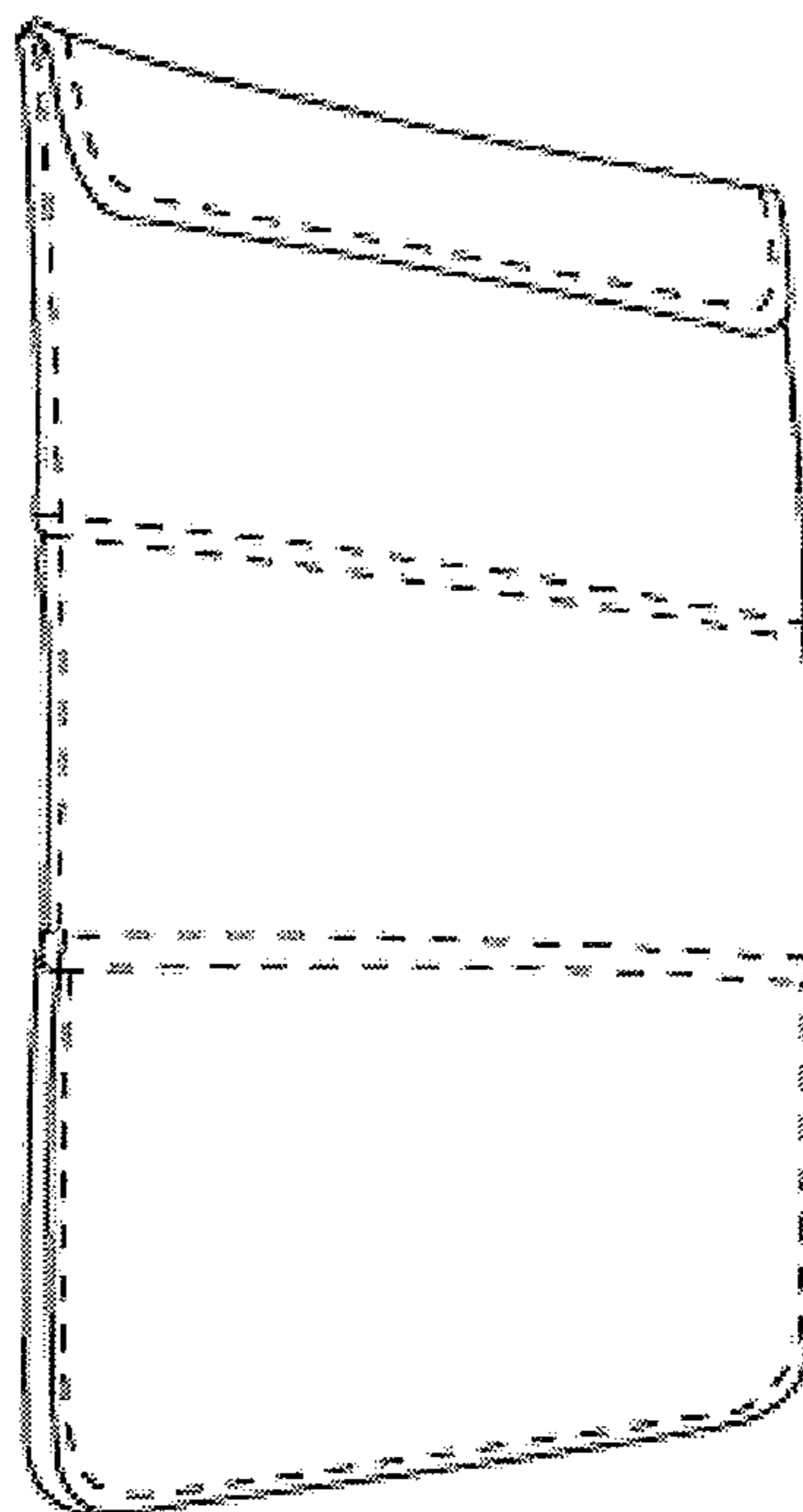
FIG. 4 is a right elevation view thereof;

FIG. 5 is a perspective view illustrating how to open the combination of protective casing and stand for portable handheld electronic device; and,

FIG. 6 is a perspective view illustrating a stand formed by folding up the protective casing for portable handheld electronic device.

The broken lines shown on the drawings are included for the purpose of illustrating stitching and form part of the claimed design.

1 Claim, 2 Drawing Sheets



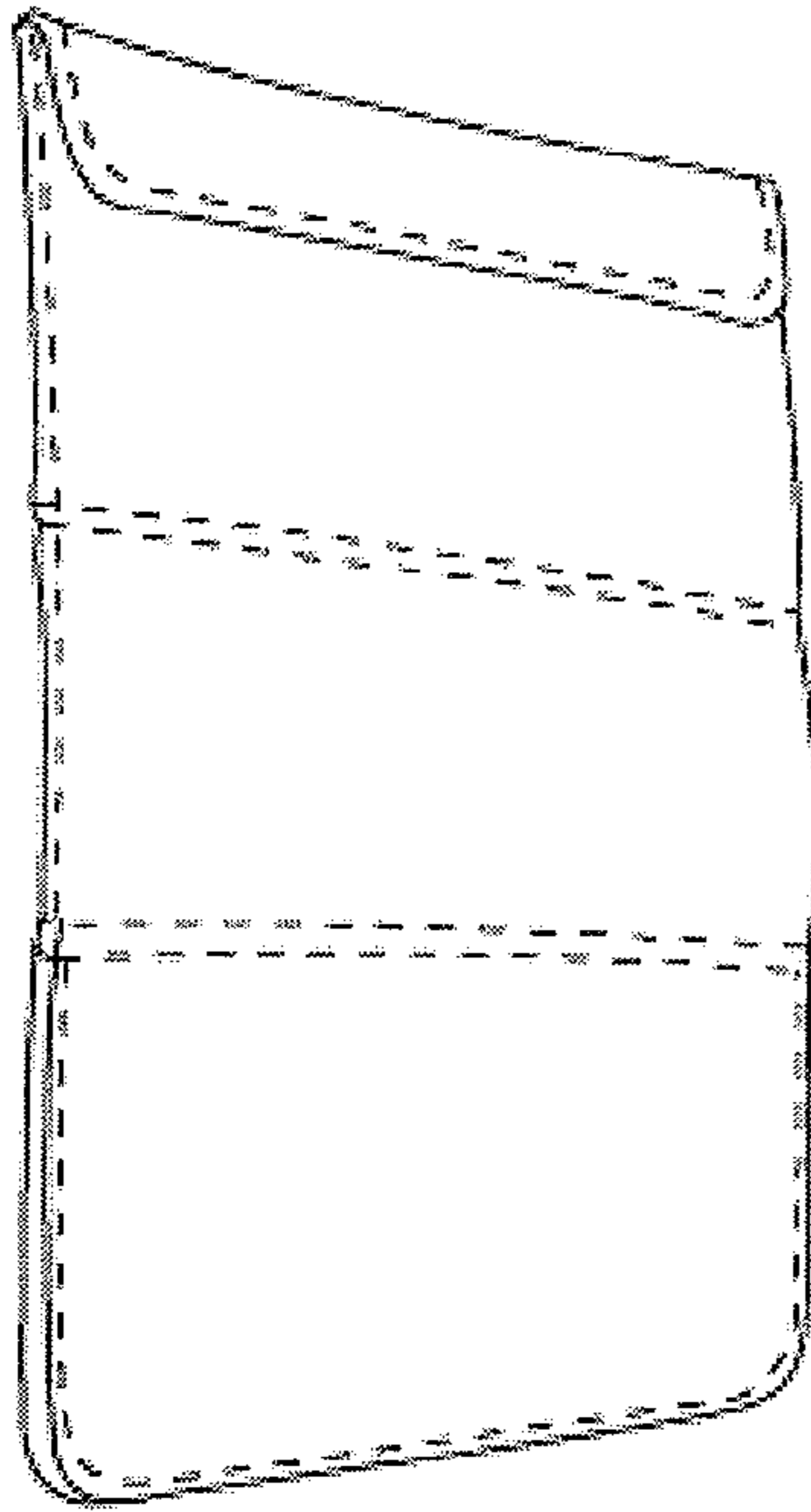


Fig. 1

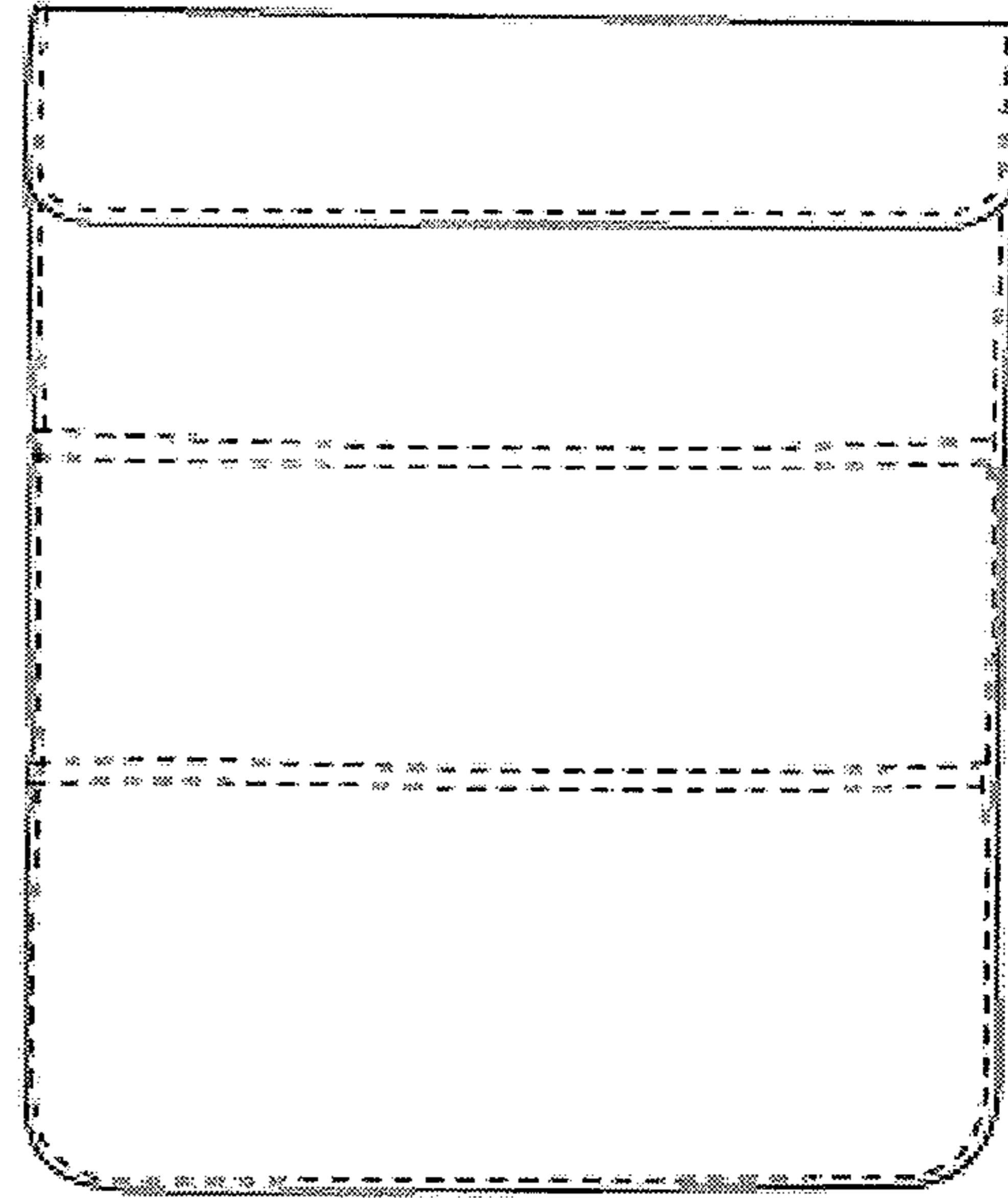


Fig. 2

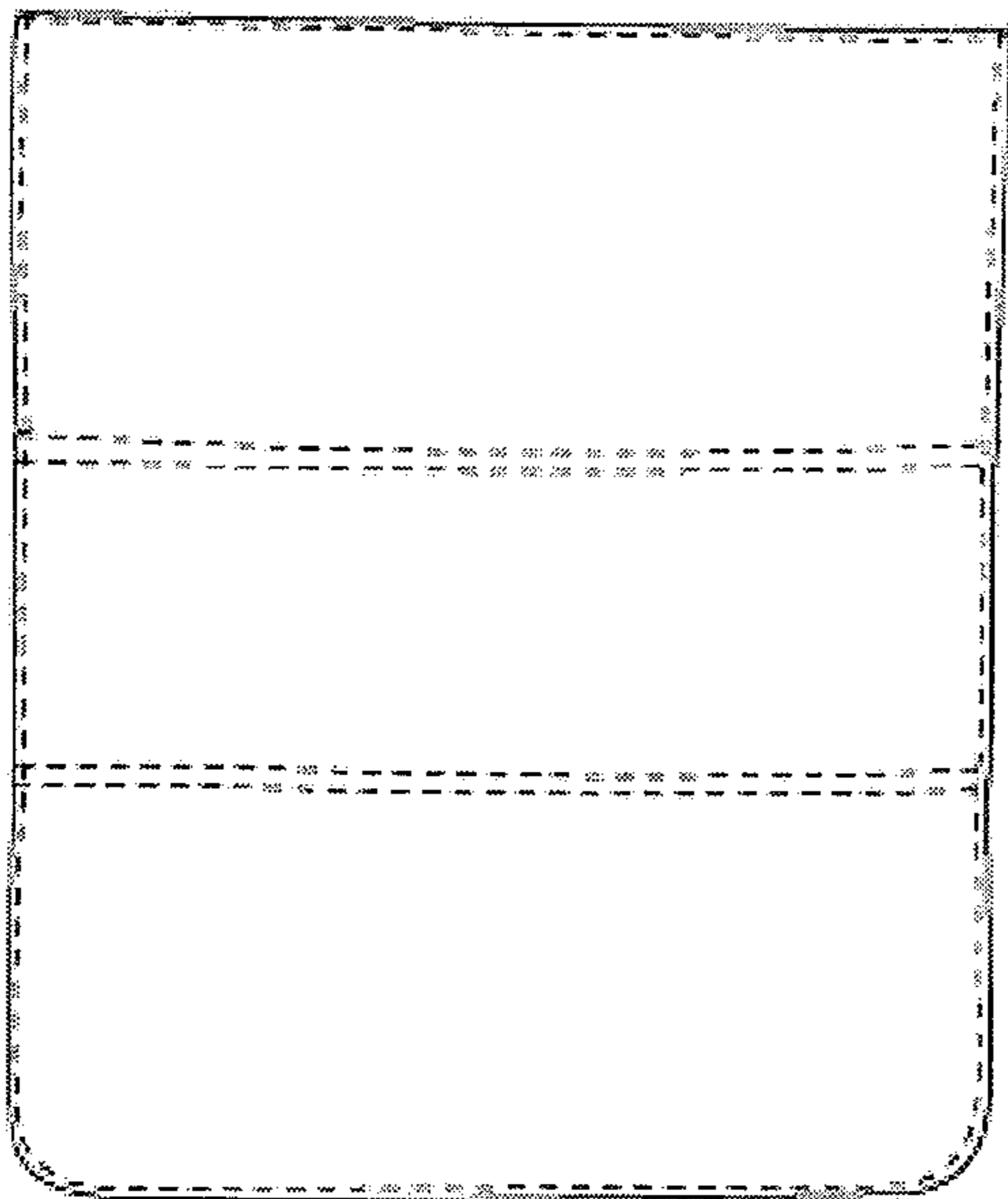


Fig. 3

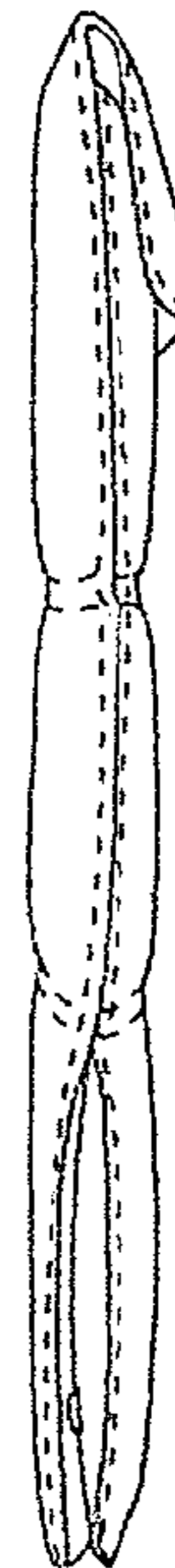


Fig. 4

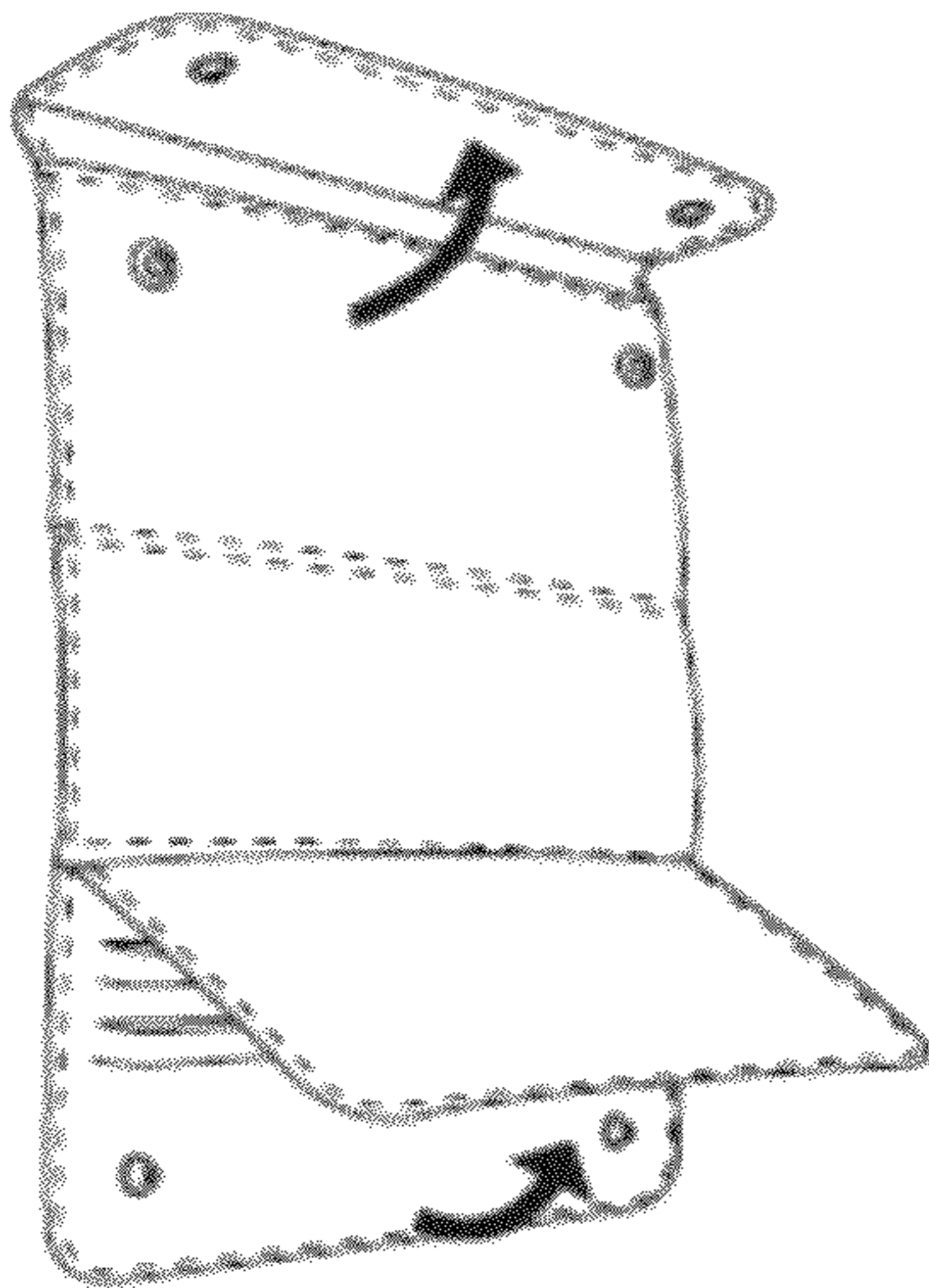


Fig. 5

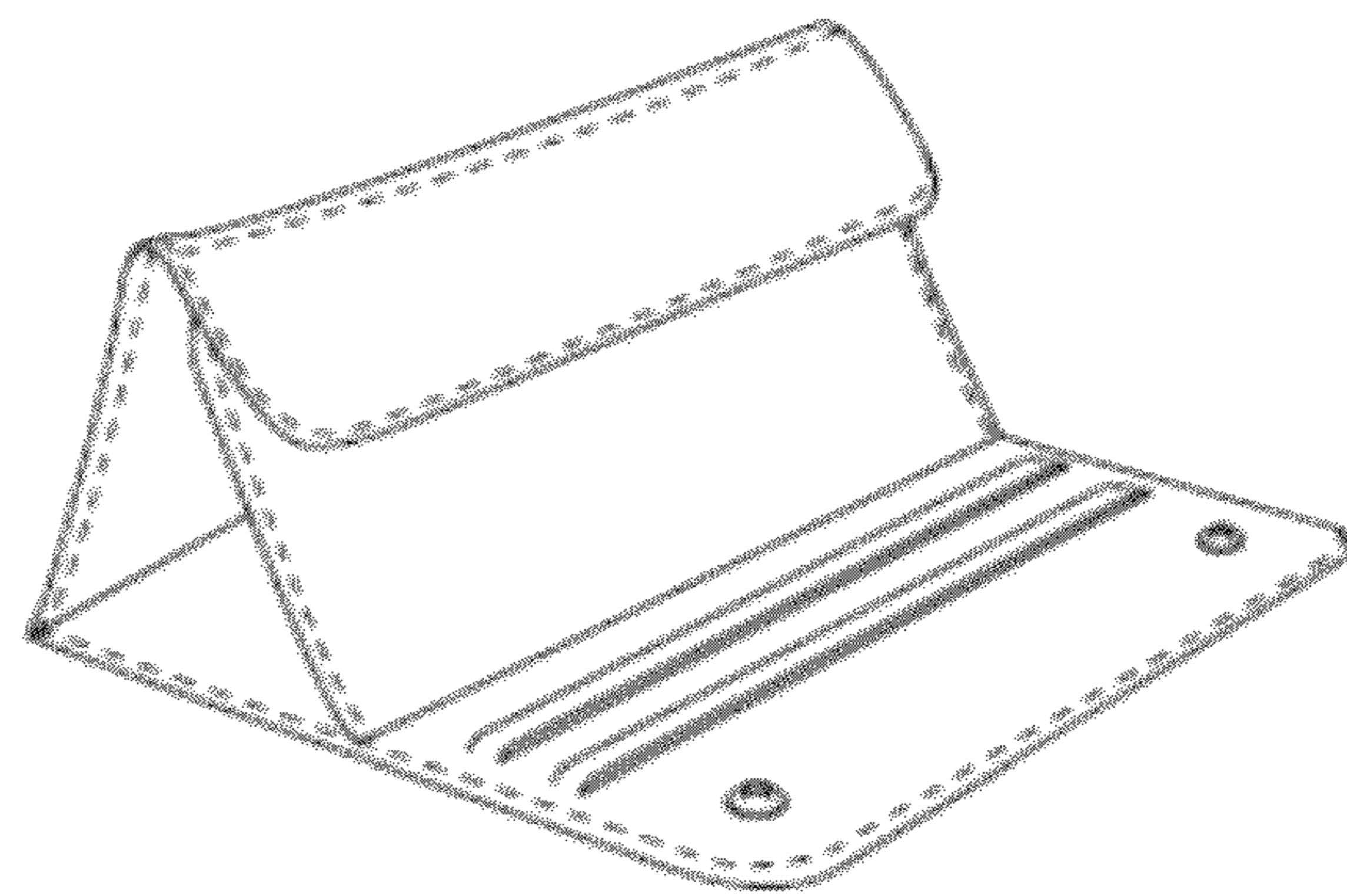


Fig. 6