



US00D660825S

(12) **United States Design Patent**  
**Harden et al.**

(10) **Patent No.:** **US D660,825 S**

(45) **Date of Patent:** **\*\* \*May 29, 2012**

(54) **HANDSET**

FOREIGN PATENT DOCUMENTS

(75) Inventors: **Daniel K. Harden**, Palo Alto, CA (US);  
**Christopher L. Whittall**, Los Gatos, CA  
(US); **Ariel D. Turgel**, San Francisco,  
CA (US); **Chang Fan Chen**, San Jose,  
CA (US); **Jaime F. Guerrero**, San  
Francisco, CA (US)

CN ZL 6/2011  
2010-3-0214266.9

(Continued)

OTHER PUBLICATIONS

U.S. Appl. No. 29/352,370, filed Dec. 19, 2009, entitled "Set-Top  
Unit," Inventor(s): Daniel K. Harden et al.

(Continued)

(73) Assignee: **Cisco Technology, Inc.**, San Jose, CA  
(US)

(\*) Notice: This patent is subject to a terminal dis-  
claimer.

*Primary Examiner* — John Windmuller

(74) *Attorney, Agent, or Firm* — Patent Capital Group

(\*\*) Term: **14 Years**

(57) **CLAIM**

The ornamental design for a handset, as shown and described.

(21) Appl. No.: **29/363,157**

(22) Filed: **Jun. 4, 2010**

**DESCRIPTION**

**Related U.S. Application Data**

(62) Division of application No. 29/352,374, filed on Dec.  
19, 2009, now Pat. No. Des. 618,217.

(51) **LOC (9) Cl.** ..... **14-03**

(52) **U.S. Cl.** ..... **D14/218**

(58) **Field of Classification Search** ..... D14/218,  
D14/455; D13/168; D21/566; D10/104,  
D10/106; 345/169; 348/14.05, 114, 211.99,  
348/734; 340/825.24; 341/22; 455/92, 95,  
455/128, 151.1–151.4, 352, 355, FOR. 121;  
700/65

See application file for complete search history.

This Design Application is related to co-pending design  
application Ser. No. 29/363,160, filed Jun. 4, 2010, entitled  
"Handset". All of the material from 29/363,160 that is essen-  
tial to the claimed design is included herein and incorporated  
by reference. The disclosure of these design applications are  
considered part of and are incorporated by reference.

FIG. 1 is a top perspective view showing a handset design  
according to another embodiment;

FIG. 2 is a front view of the handset design of FIG. 1;

FIG. 3 is a back view of the handset design of FIG. 1;

FIG. 4 is a side view of the handset design of FIG. 1;

FIG. 5 is another side view of the handset design of FIG. 1;

FIG. 6 is a top view of the handset design of FIG. 1; and,

FIG. 7 is a bottom view of the handset design of FIG. 1.

The broken lines of the preceding Figures illustrate a bound-  
ary and, further, the broken lines are for illustration only and  
form no part of the claimed design.

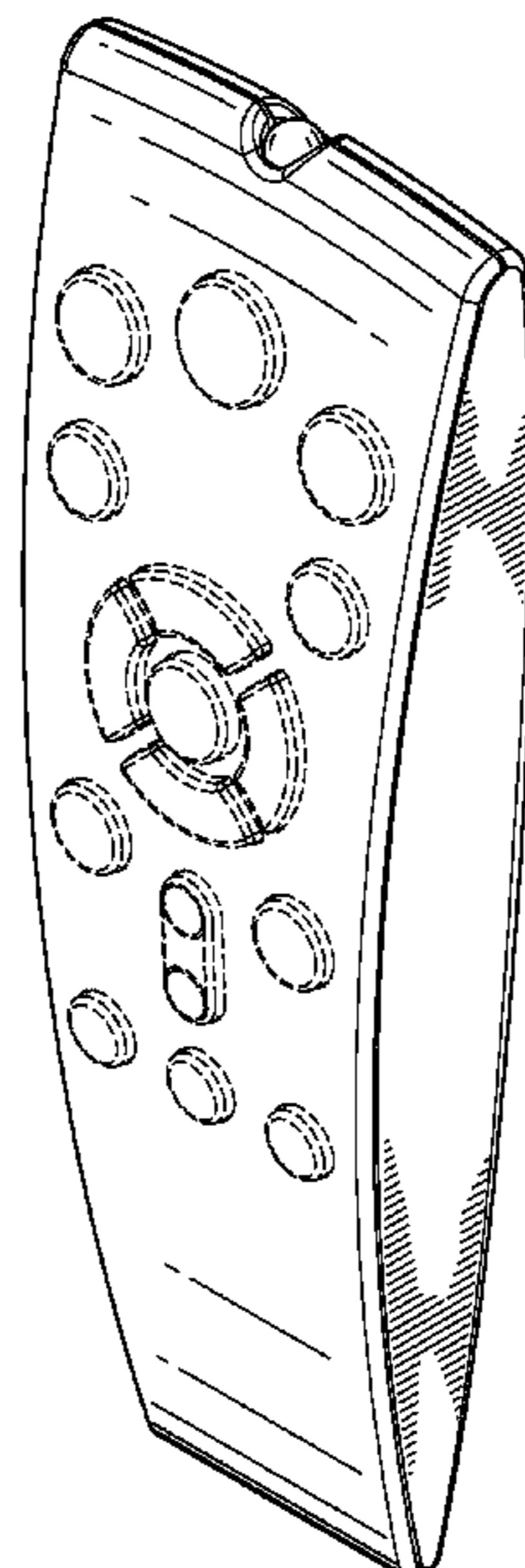
(56) **References Cited**

U.S. PATENT DOCUMENTS

D183,462 S 9/1958 Maierhofer

(Continued)

**1 Claim, 5 Drawing Sheets**



U.S. PATENT DOCUMENTS

D210,668 S 4/1968 Janda  
 D297,009 S 8/1988 Grambush et al.  
 D298,751 S 11/1988 Shin  
 D326,449 S 5/1992 Wachob et al.  
 D348,062 S 6/1994 Iseli et al.  
 D348,667 S 7/1994 Oksman et al.  
 D352,282 S 11/1994 Toh et al.  
 D365,102 S 12/1995 Gioscia  
 D367,061 S 2/1996 Davison  
 D368,892 S 4/1996 Tanaka  
 D369,163 S 4/1996 Leung et al.  
 D369,358 S 4/1996 Estevez-Alcolado et al.  
 D381,634 S 7/1997 Yanku  
 D381,670 S 7/1997 Priestman et al.  
 D385,263 S 10/1997 Taylor  
 D385,541 S 10/1997 Taylor  
 D394,266 S 5/1998 Hogenbirk  
 D395,281 S 6/1998 Waldner  
 D395,312 S 6/1998 Parsadayan et al.  
 D406,142 S 2/1999 Meurer  
 D407,703 S 4/1999 Stokes  
 D412,168 S 7/1999 Phillips et al.  
 D416,016 S 11/1999 Hughes et al.  
 D423,509 S 4/2000 Park  
 6,049,192 A 4/2000 Kfoury et al.  
 D426,232 S 6/2000 Silbermann et al.  
 D426,808 S 6/2000 Hsiao  
 D427,966 S 7/2000 Foster et al.  
 D430,861 S 9/2000 Lytel  
 D436,588 S \* 1/2001 Nakayama et al. .... D14/218  
 D437,310 S 2/2001 Gioscia  
 D438,188 S 2/2001 Peiker  
 D451,498 S 12/2001 Rossel  
 D454,332 S 3/2002 Yokoyama  
 D458,250 S 6/2002 Kim et al.  
 D458,915 S 6/2002 Shintani  
 D459,332 S 6/2002 Peiker  
 D472,235 S 3/2003 Chen  
 D473,220 S 4/2003 Smith et al.  
 D473,550 S 4/2003 Ribeiro et al.  
 D474,455 S 5/2003 Arbisi  
 D475,346 S 6/2003 McCurrach et al.  
 D478,074 S 8/2003 Lam  
 D478,324 S 8/2003 O'Neil  
 D480,375 S 10/2003 Cebe et al.  
 D481,032 S 10/2003 Sinclair  
 6,633,641 B1 10/2003 Mushika et al.  
 D483,353 S 12/2003 Hyogo  
 D485,827 S 1/2004 Olson et al.  
 D485,828 S 1/2004 Olson et al.  
 D491,922 S 6/2004 Poulet  
 D494,230 S 8/2004 Allen  
 D498,748 S \* 11/2004 Borsboom ..... D14/218  
 D501,205 S 1/2005 Quinn  
 D517,036 S 3/2006 Himmel  
 D517,532 S 3/2006 Chen  
 D524,277 S 7/2006 Surtouc  
 D524,278 S 7/2006 Hsiung  
 D524,281 S 7/2006 Franck et al.  
 D524,298 S \* 7/2006 Hedderich et al. .... D14/218  
 D524,376 S 7/2006 Flynn  
 D531,136 S 10/2006 Schoenert et al.  
 D531,586 S \* 11/2006 Poulet ..... D13/168  
 D531,963 S \* 11/2006 Tajima ..... D13/168  
 D531,964 S 11/2006 Peh  
 D531,993 S 11/2006 Choi et al.  
 D532,775 S 11/2006 Ikeda et al.  
 D534,146 S 12/2006 Stilp et al.  
 D534,502 S 1/2007 Poulet et al.  
 D534,519 S 1/2007 Stilp et al.  
 D535,276 S 1/2007 Franck et al.  
 D538,788 S 3/2007 Reimann et al.  
 D541,245 S 4/2007 Fiorio  
 D541,261 S 4/2007 Ikeda et al.  
 D541,786 S 5/2007 Ookawa  
 D542,765 S 5/2007 Cho et al.  
 D546,807 S 7/2007 Lee  
 D550,211 S 9/2007 Ikeda et al.

D555,107 S 11/2007 Choi et al.  
 D558,707 S 1/2008 Travis et al.  
 D559,202 S 1/2008 Sim et al.  
 D563,948 S 3/2008 d'Hoore  
 D566,667 S 4/2008 Whittaker et al.  
 D566,668 S 4/2008 Whittaker et al.  
 D569,823 S 5/2008 Lyles et al.  
 D571,743 S 6/2008 Tu  
 D573,971 S 7/2008 Hikino et al.  
 D573,982 S \* 7/2008 Monsky ..... D14/218  
 D574,355 S 8/2008 Okawa et al.  
 D575,316 S 8/2008 Liu et al.  
 D577,693 S 9/2008 King et al.  
 D579,871 S 11/2008 Hsiao  
 D583,366 S 12/2008 Chen  
 D587,707 S 3/2009 Maiers et al.  
 D590,395 S 4/2009 Heggland  
 D597,059 S 7/2009 Haspil et al.  
 D598,408 S \* 8/2009 Arnold ..... D14/138 R  
 D598,436 S 8/2009 Tseng  
 D600,736 S 9/2009 Zen  
 D605,634 S 12/2009 Lewis et al.  
 D606,034 S 12/2009 Suzuki  
 D607,432 S 1/2010 Waterman et al.  
 D611,462 S 3/2010 McGuire  
 D615,958 S 5/2010 Tkachuk et al.  
 D618,657 S 6/2010 Sakamoto  
 D618,658 S 6/2010 Sakamoto et al.  
 D634,726 S \* 3/2011 Harden et al. .... D14/147  
 D636,761 S \* 4/2011 Hansen et al. .... D14/218  
 2008/0204978 A1 8/2008 Haspil et al.

FOREIGN PATENT DOCUMENTS

EP 1221725-0001 6/2010  
 EP 1221725-0002 6/2010  
 EP 1221725-0003 6/2010  
 WO DM/068600 2/2007

OTHER PUBLICATIONS

U.S. Appl. No. 29/352,371, filed Dec. 19, 2009, entitled "Camera Assembly," Inventor(s): Daniel K. Harden et al.  
 U.S. Appl. No. 29/352,372, filed Dec. 19, 2009, entitled "Handset," Inventor(s): Daniel K. Harden et al.  
 U.S. Appl. No. 29/363,178, filed Jun. 5, 2010, entitled "Handset," Inventor(s): Daniel K. Harden et al.  
 U.S. Appl. No. 29/363,179, filed Jun. 5, 2010, entitled "Handset," Inventor(s): Daniel K. Harden et al.  
 U.S. Appl. No. 29/352,373, filed Dec. 19, 2009, entitled "Cradle Device," Inventor(s): Daniel K. Harden et al.  
 U.S. Appl. No. 29/352,374, filed Dec. 19, 2009, entitled "Handset," Inventor(s): Daniel K. Harden et al.  
 U.S. Appl. No. 29/363,160, filed Jun. 4, 2010, entitled "Handset," Inventor(s): Daniel K. Harden et al.  
 Panasonic KX-TGA670B, <URL:http://www.101phones.com/details/1991-229/panasonic-kx-tga670.html>, retrieved from internet Apr. 20, 2010, 1 page.  
 GE/RCEViSYS H5450RE3-R, <URL:http://www.101phones.com/details/15753-5126/ge-rca-h5450re3.html>, retrieved from internet Apr. 20, 2010, 1 page.  
 Cisco Wireless-g Ip Phone Sip 1LINE 802.11AG Speakerphone Incl Pwr Supl, <URL:http://www.amazon.com/Cisco-Wireless-g-Phone-802-11AG-Speakerphone/dp/B001F3YIJK/ref=sr\_1\_8?ie=UTF8&s=electronics&qid=1273357442&sr=1-8>, retrieved from internet May 8, 2010, 1 page.  
 Vtech DS6301, <URL:http://www.101phones.com/details/11797-12287/vtech-ds6301.html>, retrieved from internet May 8, 2010, 1 page.  
 USPTO Aug. 26, 2011 Non-Final Office Action from U.S. Appl. No. 29/352,371.  
 USPTO Jun. 27, 2011 Notice of Allowance from U.S. Appl. No. 29/363,160.  
 USPTO Jul. 28, 2011 Second Notice of Allowance from U.S. Appl. No. 29/363,160.

\* cited by examiner

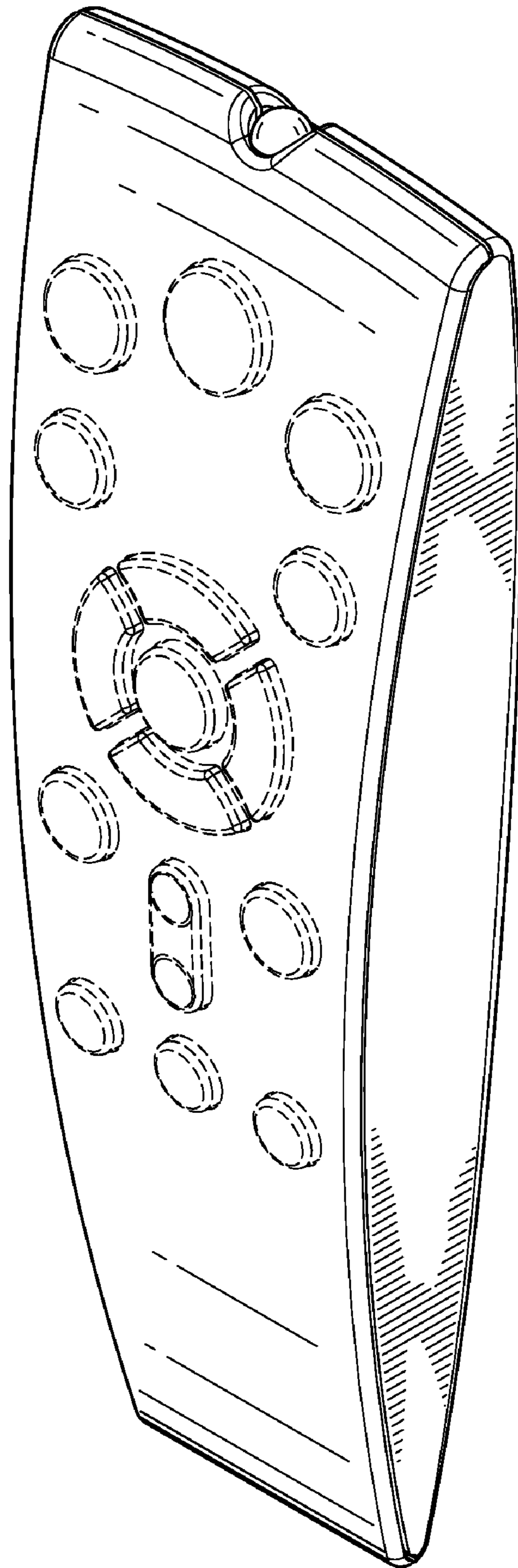


FIG. 1

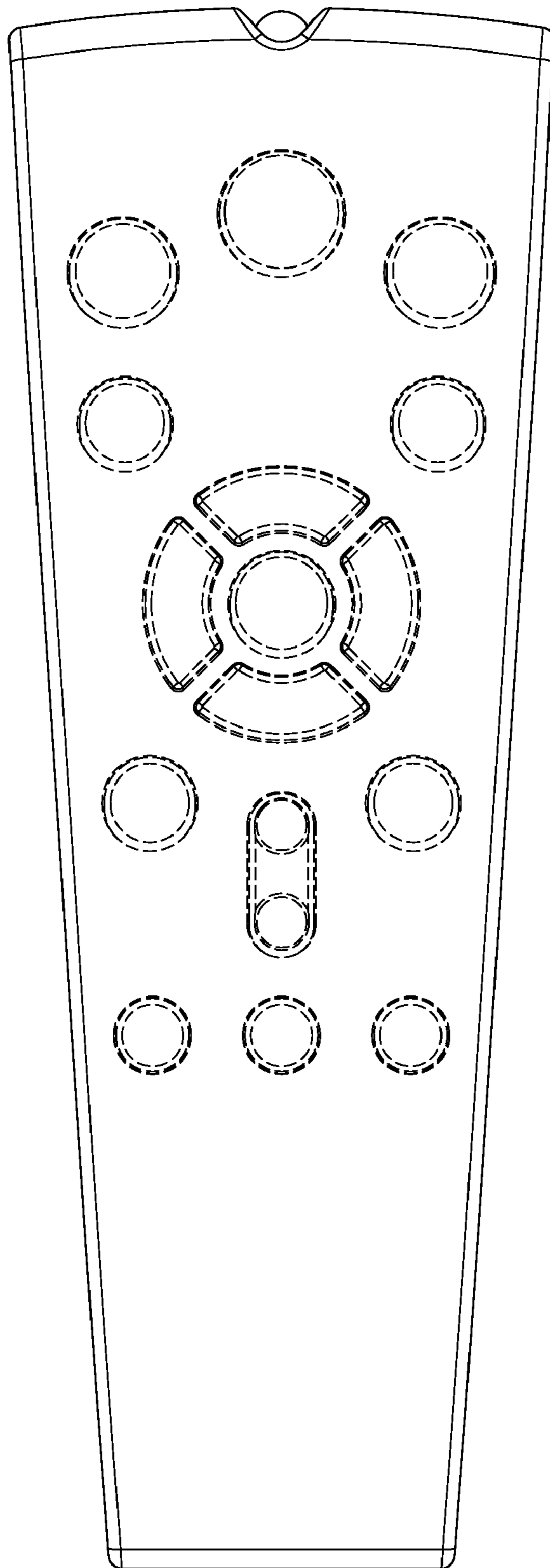


FIG. 2

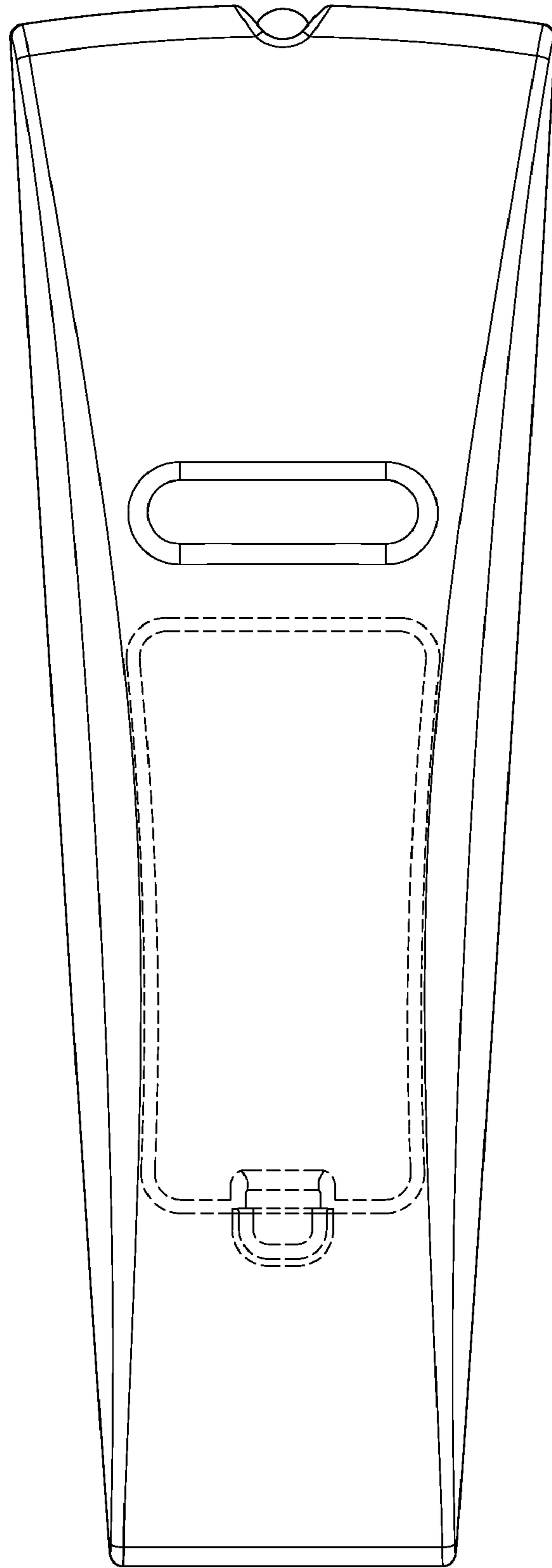


FIG. 3

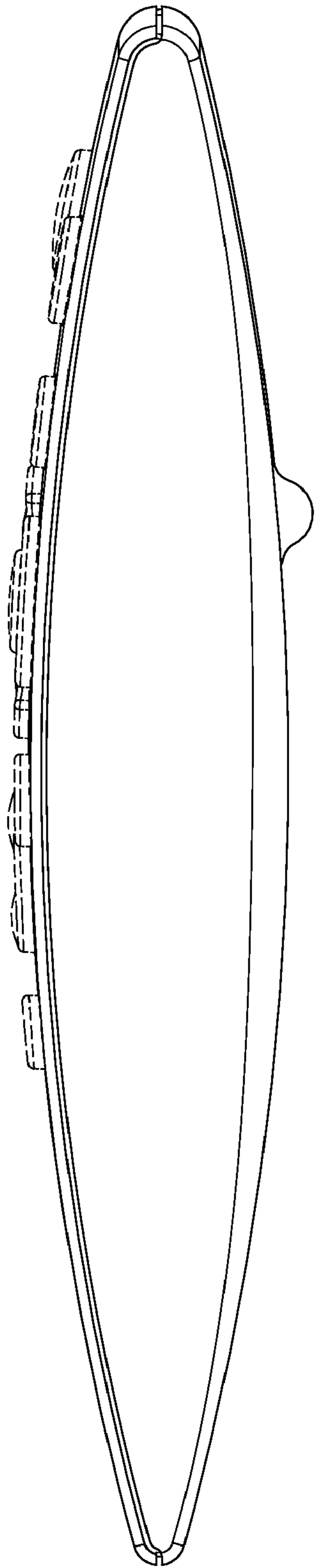


FIG. 4

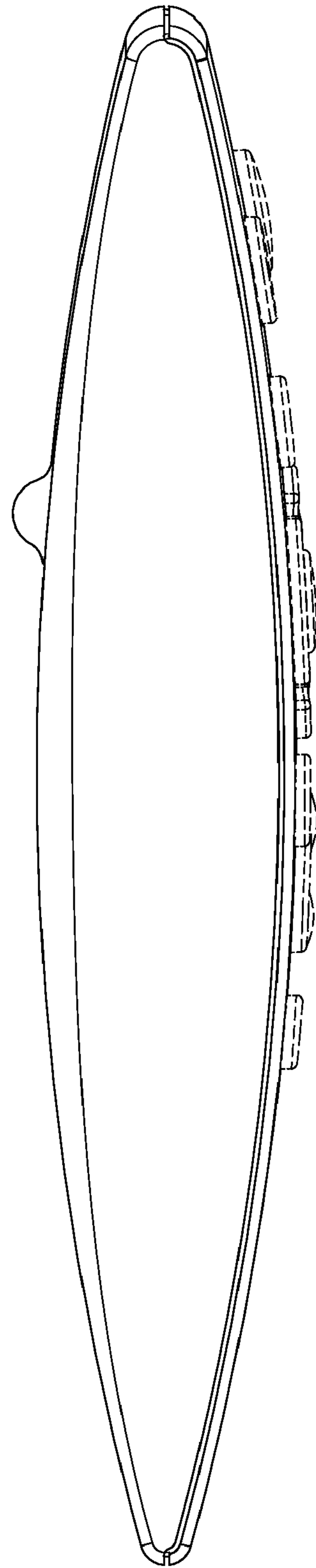


FIG. 5

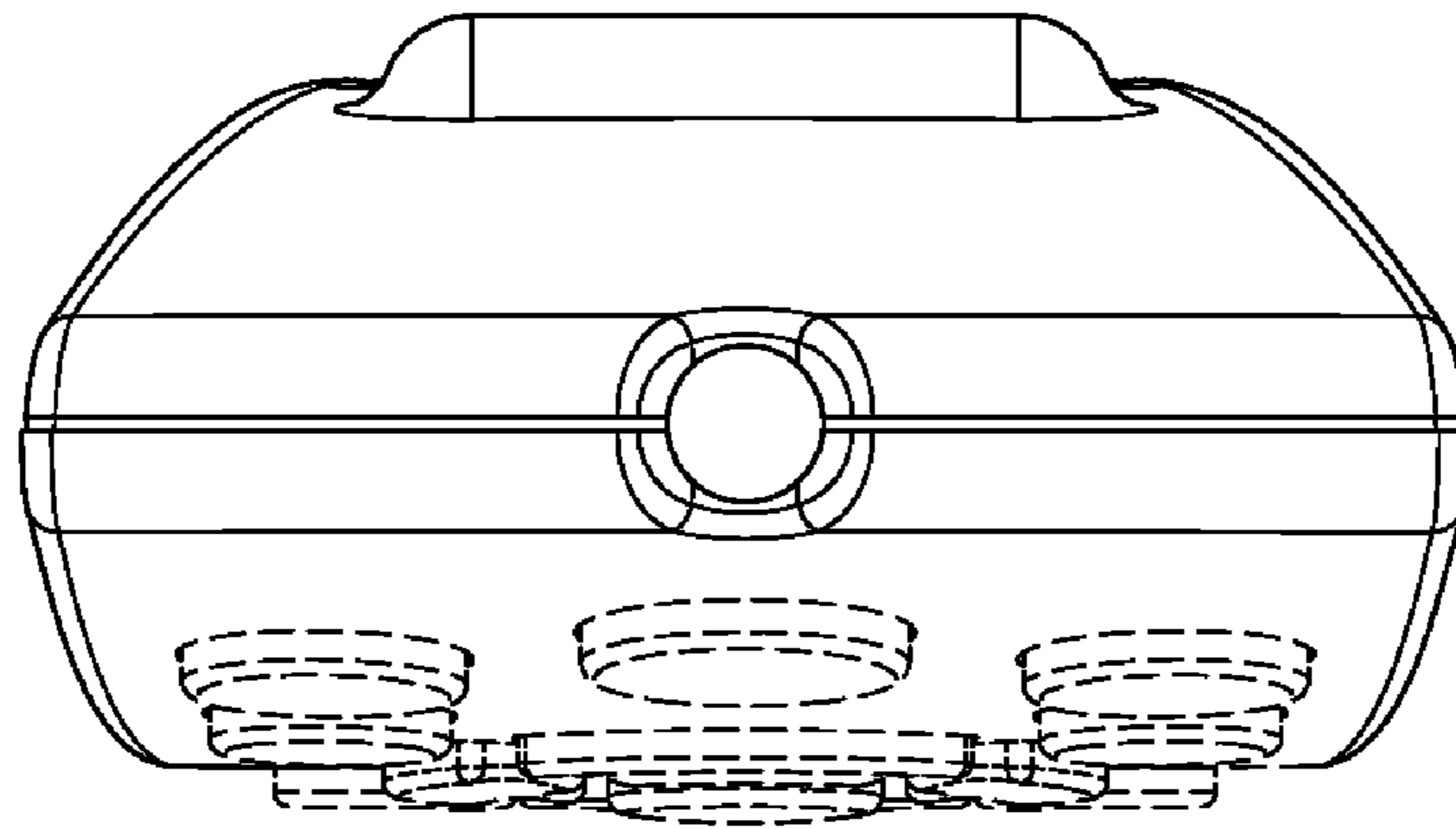


FIG. 6

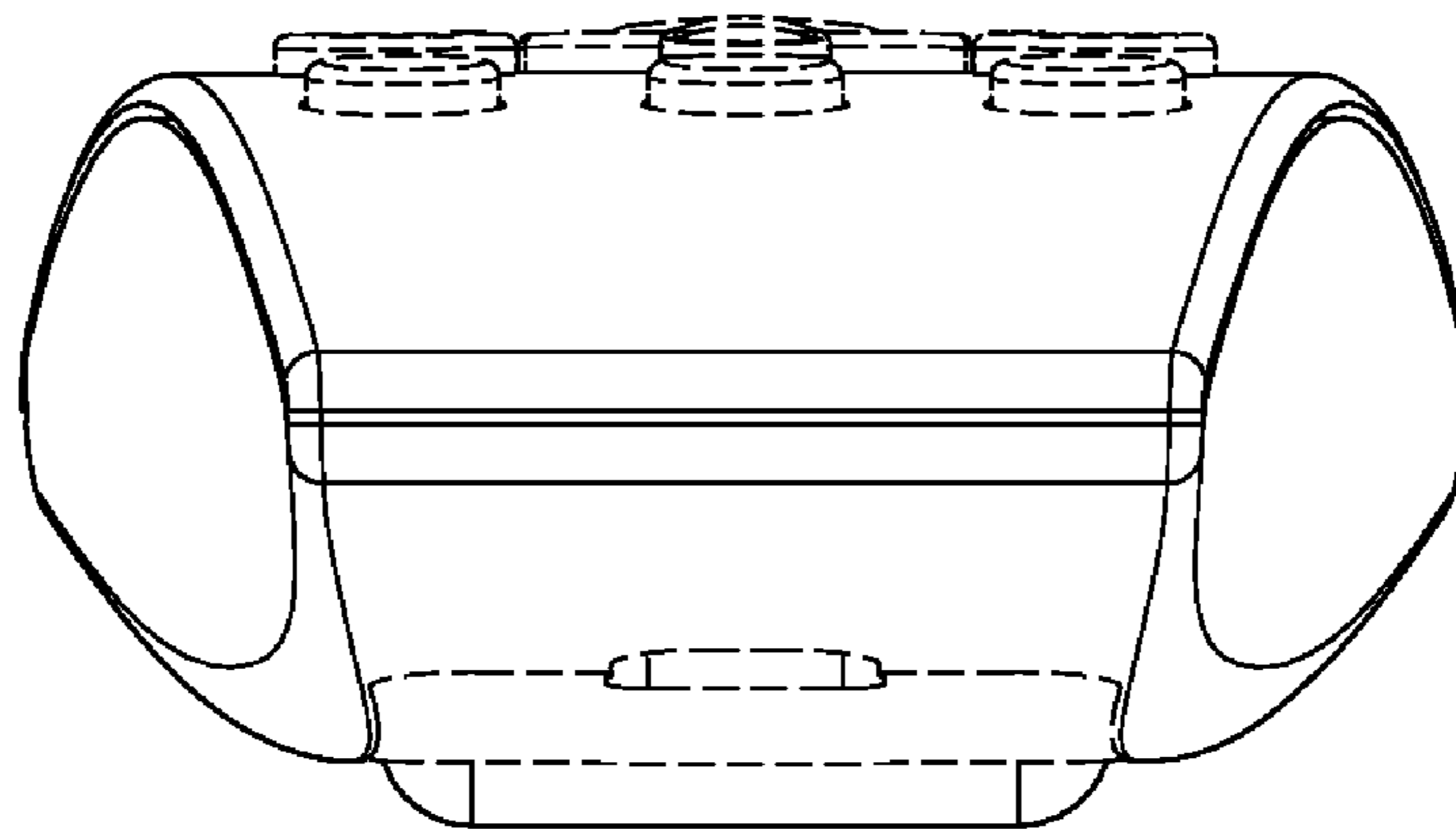


FIG. 7