

US00D660824S

(12) **United States Design Patent**  
**Hardi et al.**

(10) **Patent No.:** **US D660,824 S**  
(45) **Date of Patent:** **\*\* May 29, 2012**

(54) **HEADPHONES**

(75) Inventors: **Jason A. Hardi**, Miami Beach, FL (US);  
**Curtis Jackson**, New York, NY (US)

(73) Assignee: **SMS Audio LLC**, New York, NY (US)

(\*\*) Term: **14 Years**

(21) Appl. No.: **29/407,587**

(22) Filed: **Nov. 30, 2011**

(51) **LOC (9) Cl.** ..... **14-01**

(52) **U.S. Cl.** ..... **D14/205**

(58) **Field of Classification Search** ..... D14/205,  
D14/206, 223; 181/129, 130, 135; 379/430,  
379/431, 433.05; 381/380, 381; D29/112;  
2/209; 455/90.3, 575.2

See application file for complete search history.

(56) **References Cited**

**U.S. PATENT DOCUMENTS**

4,156,118	A	5/1979	Hargrave	
D270,634	S *	9/1983	Ungar	D14/205
4,403,120	A *	9/1983	Yoshimi	381/380
D291,198	S *	8/1987	Bellini	D14/205
D298,670	S *	11/1988	Palmaer	D29/112
D338,010	S *	8/1993	Yamatogi	D14/205
D351,172	S *	10/1994	Nakamura et al.	D14/205
5,581,627	A	12/1996	Bowser et al.	
5,835,609	A *	11/1998	LeGette et al.	381/385
6,466,681	B1	10/2002	Siska, Jr. et al.	
D484,485	S *	12/2003	Matsuoka	D14/205
D512,981	S *	12/2005	Jacobson et al.	D14/205
6,980,165	B2 *	12/2005	Yuasa et al.	343/718
D534,155	S *	12/2006	Obata	D14/205
D540,301	S *	4/2007	Obata	D14/205
D541,257	S *	4/2007	Thursfield	D14/205
D552,077	S *	10/2007	Brunner et al.	D14/205

D563,382	S *	3/2008	Wikel	D14/205
D585,870	S *	2/2009	Zheng et al.	D14/205
7,590,258	B2	9/2009	Krywko	
D625,705	S *	10/2010	Ohuri et al.	D14/205
D632,668	S *	2/2011	Brunner et al.	D14/205
D635,959	S *	4/2011	Hutchieson	D14/205
D637,176	S *	5/2011	Brunner et al.	D14/205
D652,406	S *	1/2012	Lee et al.	D14/205
2005/0220318	A1	10/2005	Han	
2009/0034774	A1	2/2009	Lowry, Jr.	
2009/0285436	A1	11/2009	Lowry	
2011/0164776	A1	7/2011	Kelly et al.	

**OTHER PUBLICATIONS**

Murph, Darren, "Sleek by 50 Cent Platinum Headphones announced, invites Beats to a showdown" Engadget.com/Jan. 6, 2011, www.engadget.com/2011/01/06/sleek-by-50-cent-platinum.

Evans, Joel, "Review: Beats by dr. Dre headphones", Geek.com, Jul. 3, 2008, www.geek.com/articles/gadgets/review-beats-by-dr-dre-headphones-20080730.

\* cited by examiner

*Primary Examiner* — Paula Greene

(74) *Attorney, Agent, or Firm* — Gottlieb, Rackman & Reisman, P.C.

(57) **CLAIM**

The ornamental design for headphones, as shown and described.

**DESCRIPTION**

FIG. 1 is perspective view showing our new design;

FIG. 2 is a top plan view thereof;

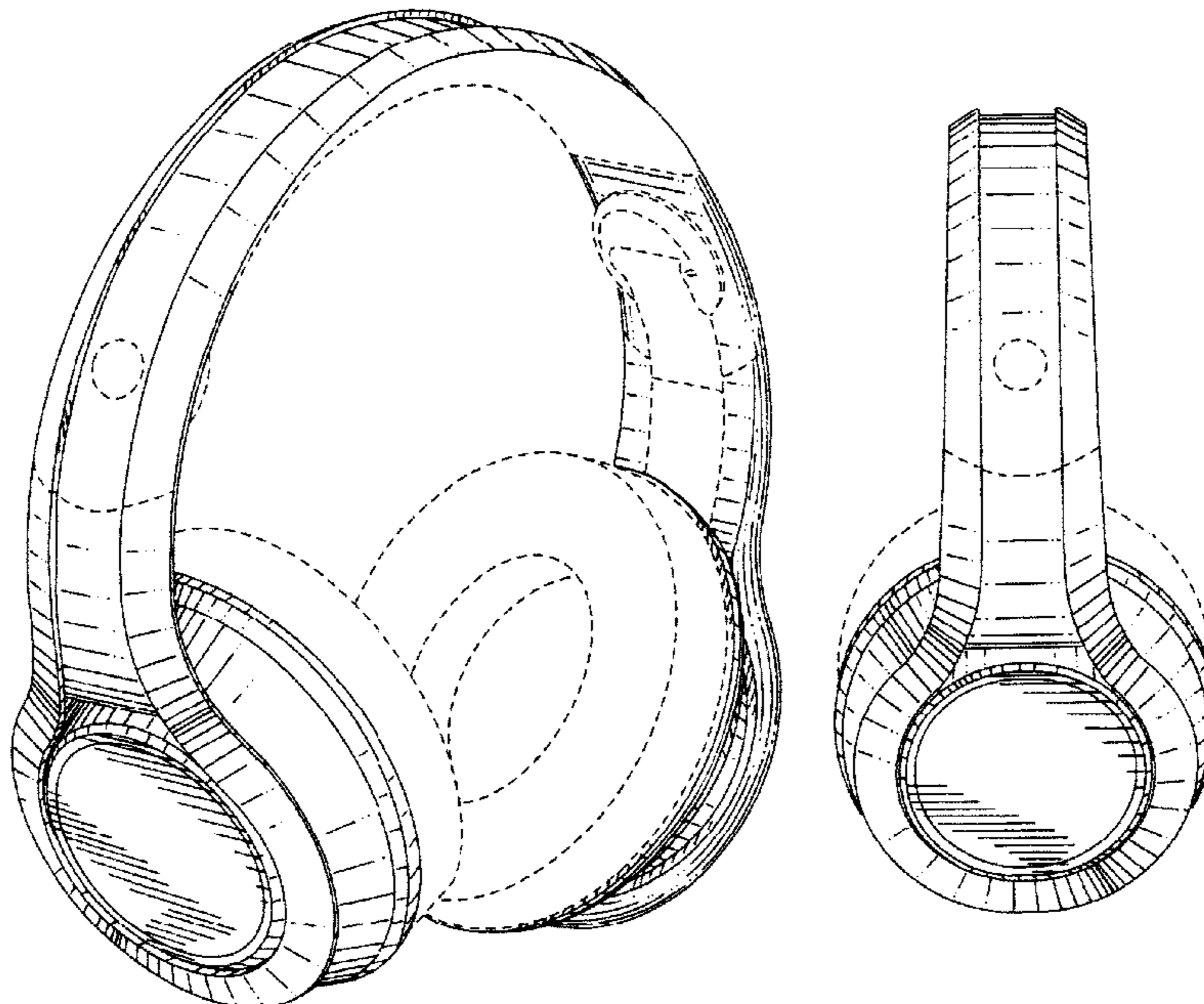
FIG. 3 is a front elevational view thereof;

FIG. 4 is a side elevational view thereof; and,

FIG. 5 is a bottom plan view thereof.

The broken lines form no part of the claimed design.

**1 Claim, 5 Drawing Sheets**



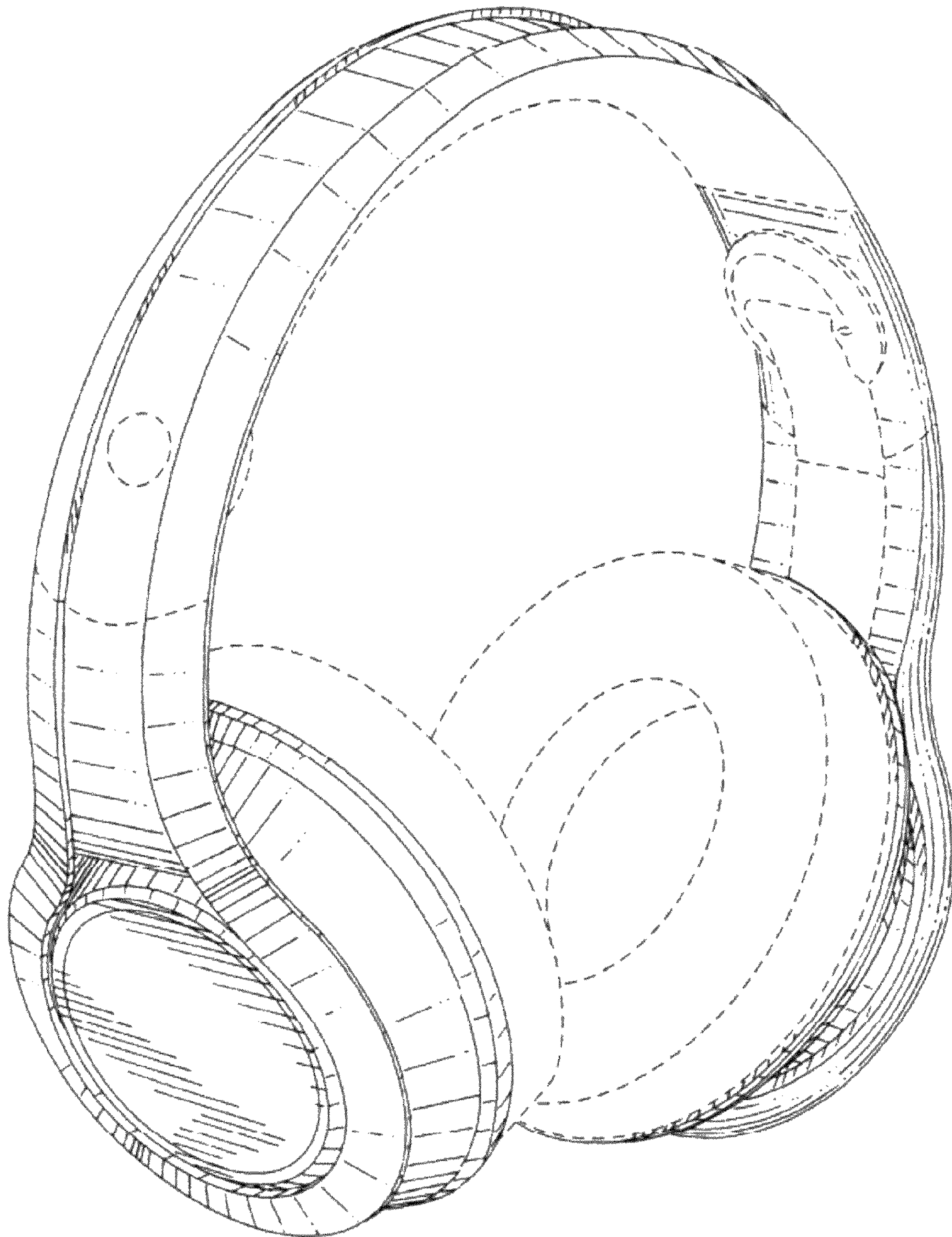


FIG. 1

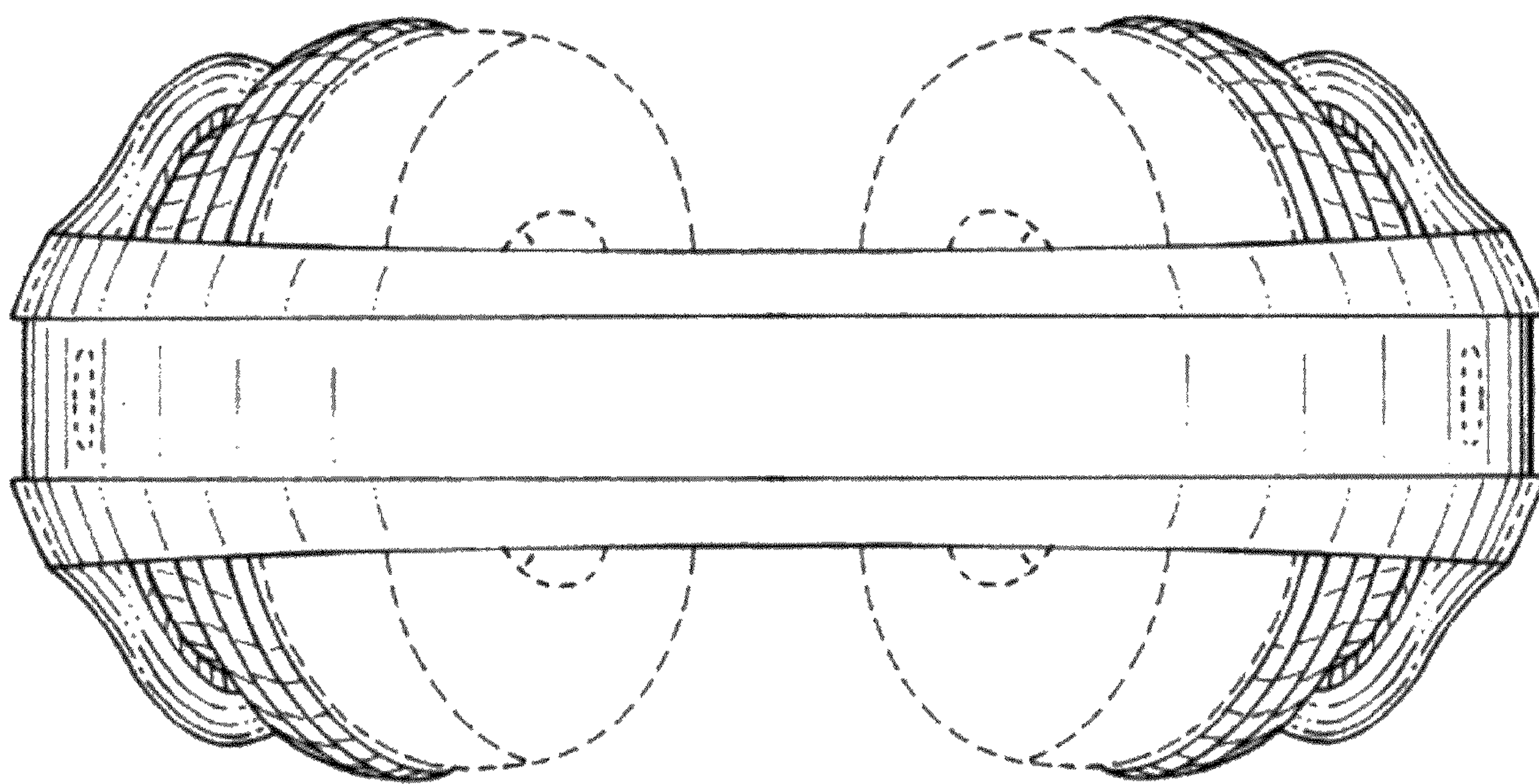


FIG. 2

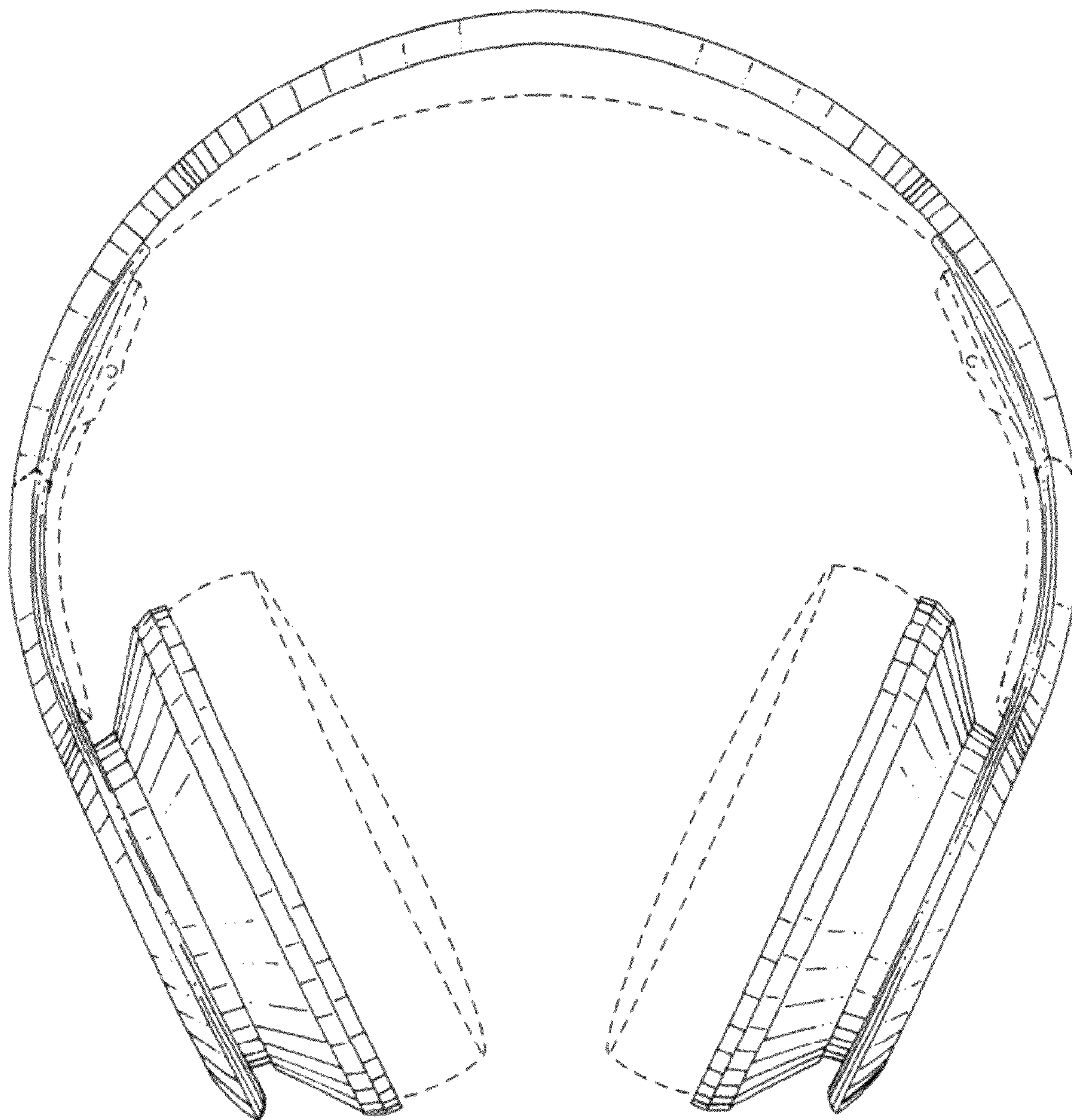


FIG. 3

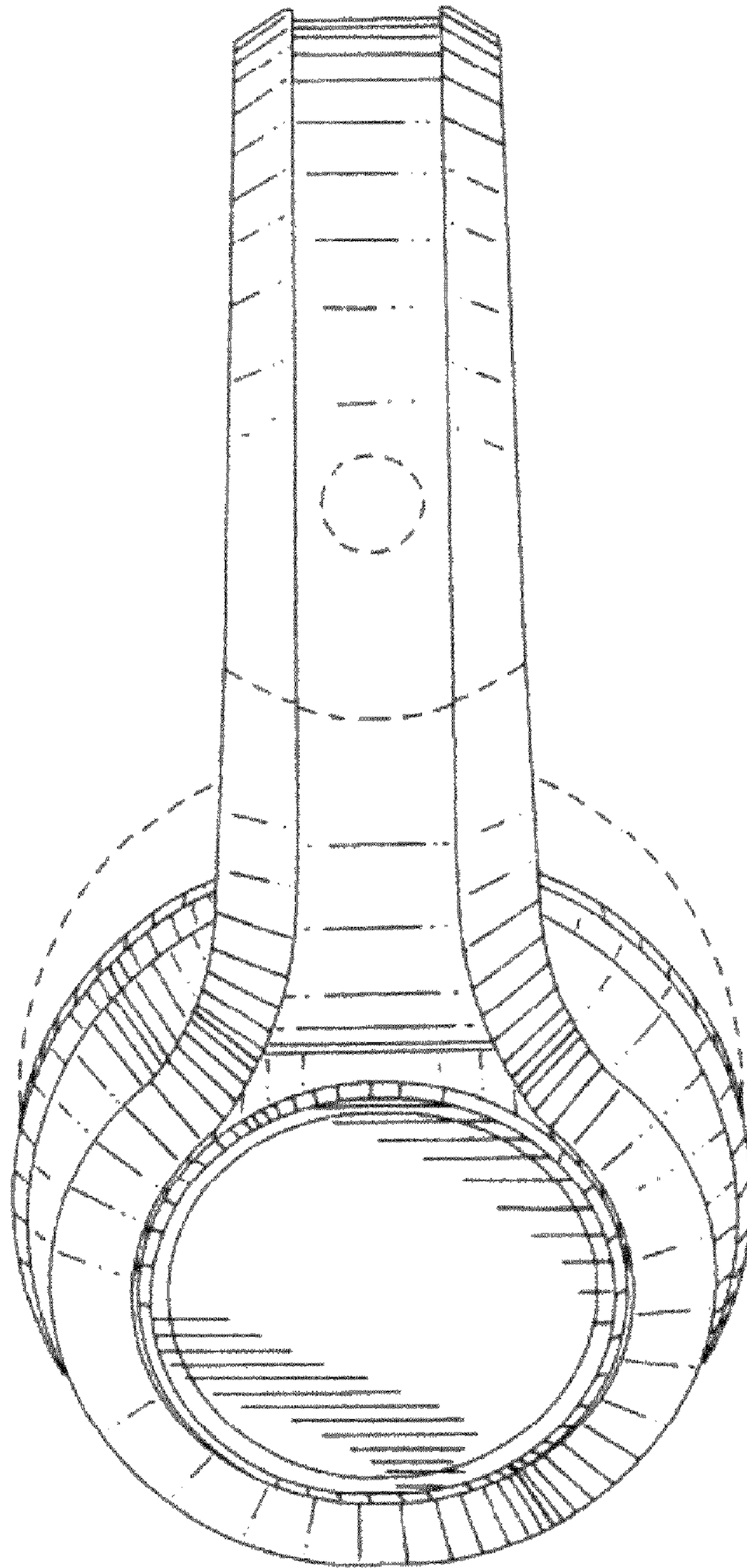


FIG. 4

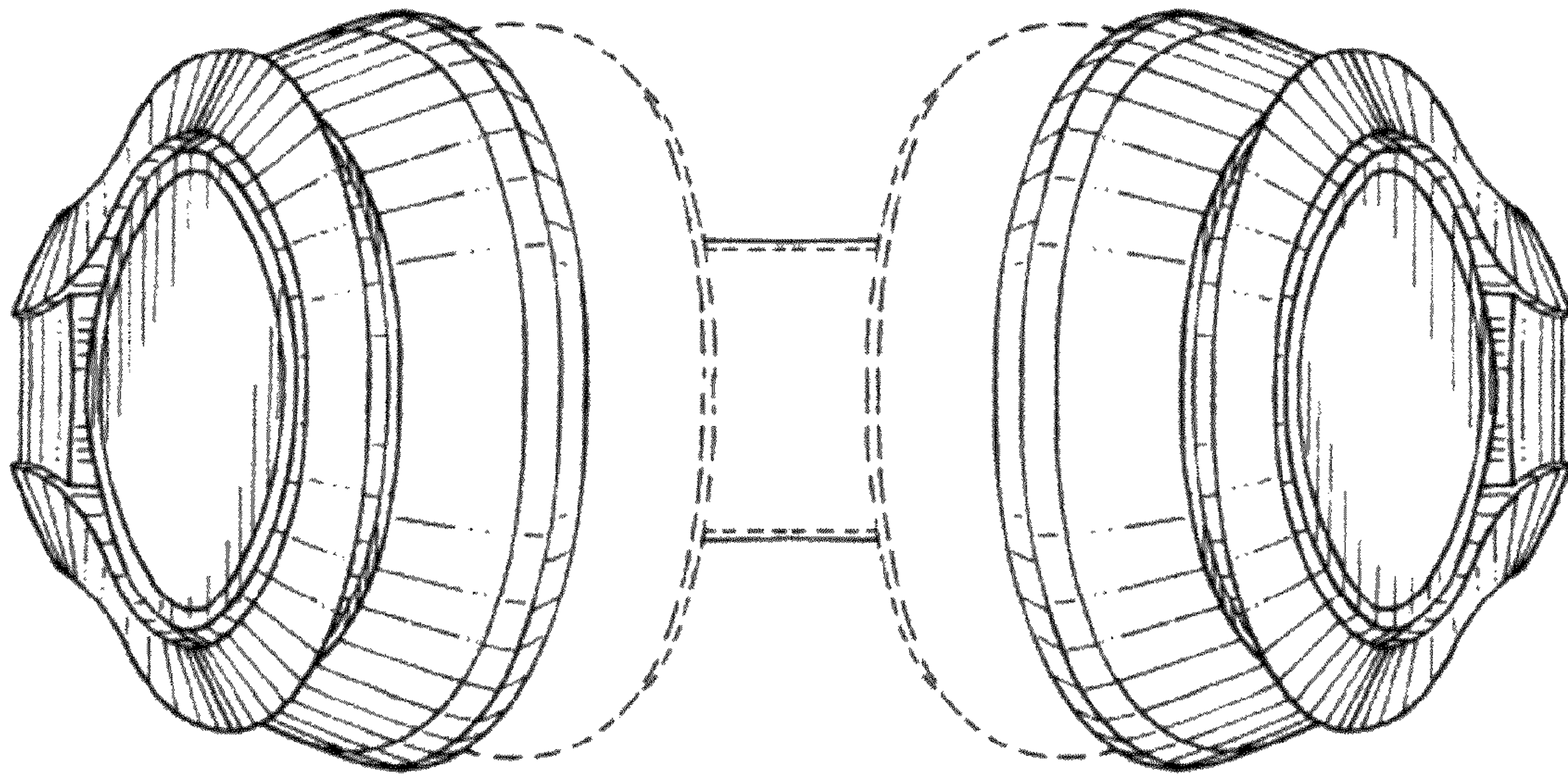


FIG. 5