



US00D660821S

(12) **United States Design Patent**  
**Andre et al.**

(10) **Patent No.:** **US D660,821 S**

(45) **Date of Patent:** **\*\* \*May 29, 2012**

(54) **MEDIA PLAYER**

(75) Inventors: **Bartley K. Andre**, Menlo Park, CA (US); **Daniel J. Coster**, San Francisco, CA (US); **Daniele De Iulius**, San Francisco, CA (US); **Richard P. Howarth**, San Francisco, CA (US); **Jonathan P. Ive**, San Francisco, CA (US); **Steve Jobs**, Palo Alto, CA (US); **Duncan Robert Kerr**, San Francisco, CA (US); **Matthew Dean Rohrbach**, San Francisco, CA (US); **Douglas B. Satzger**, Menlo Park, CA (US); **Calvin Q. Seid**, Palo Alto, CA (US); **Vincent Keane Seid**, legal representative, Los Gatos, CA (US); **Christopher J. Stringer**, Woodside, CA (US); **Eugene Antony Whang**, San Francisco, CA (US)

(73) Assignee: **Apple Inc.**, Cupertino, CA (US)

(\*) Notice: This patent is subject to a terminal disclaimer.

(\*\*) Term: **14 Years**

(21) Appl. No.: **29/398,700**

(22) Filed: **Aug. 3, 2011**

**Related U.S. Application Data**

(63) Continuation of application No. 29/384,863, filed on Feb. 4, 2011, now Pat. No. Des. 643,403, which is a continuation of application No. 29/368,362, filed on Aug. 23, 2010, now Pat. No. Des. 633,470, which is a continuation of application No. 29/353,204, filed on Jan. 5, 2010, now Pat. No. Des. 622,261, which is a continuation of application No. 29/333,540, filed on Mar. 11, 2009, now Pat. No. Des. 610,126, which is a continuation of application No. 11/882,003, filed on Jul. 30, 2007, which is a continuation of application No. 11/806,957, filed on Jun. 5, 2007, now Pat. No. 7,333,092, which is a continuation of application No. 11/386,238, filed on Mar. 21, 2006, now Pat. No.

7,348,967, which is a continuation of application No. 10/188,182, filed on Jul. 1, 2002, now Pat. No. 7,046,230.

(51) **LOC (9) Cl.** ..... **14-03**

(52) **U.S. Cl.** ..... **D14/203.7; D14/496**

(58) **Field of Classification Search** ..... D14/496, D14/401, 435, 474, 483, 217, 137, 138, 160, D14/168, 356; 345/156, 169, 173-179, 905; 715/727-729, 864; 710/1, 5, 8; 713/1, 600; 455/1.1, 1, 7, 73, 344-347, 93, 95, 3.01-3.06, 455/550.1, 573.1; 370/342-344; 369/1, 369/2, 6, 12; 463/43-47; 273/148 B

See application file for complete search history.

(56) **References Cited**

**U.S. PATENT DOCUMENTS**

D425,885 S 5/2000 Amron et al.

(Continued)

*Primary Examiner* — Prabhakar Deshmukh

(74) *Attorney, Agent, or Firm* — Sterne, Kessler, Goldstein & Fox PLLC

(57) **CLAIM**

The ornamental design for a media player, as shown and described.

**DESCRIPTION**

This application is also related to U.S. design patent application No. 29/153,169, filed on Oct. 22, 2001, now U.S. Design Patent No. D469,109, issued on Jan. 21, 2003, the disclosure of which is incorporated in its entirety herein by reference thereto.

FIG. 1 is a front perspective view of a media player showing our new design;

FIG. 2 is a front view thereof;

FIG. 3 is a left side view thereof;

FIG. 4 is a right side view thereof;

FIG. 5 is a bottom view thereof;

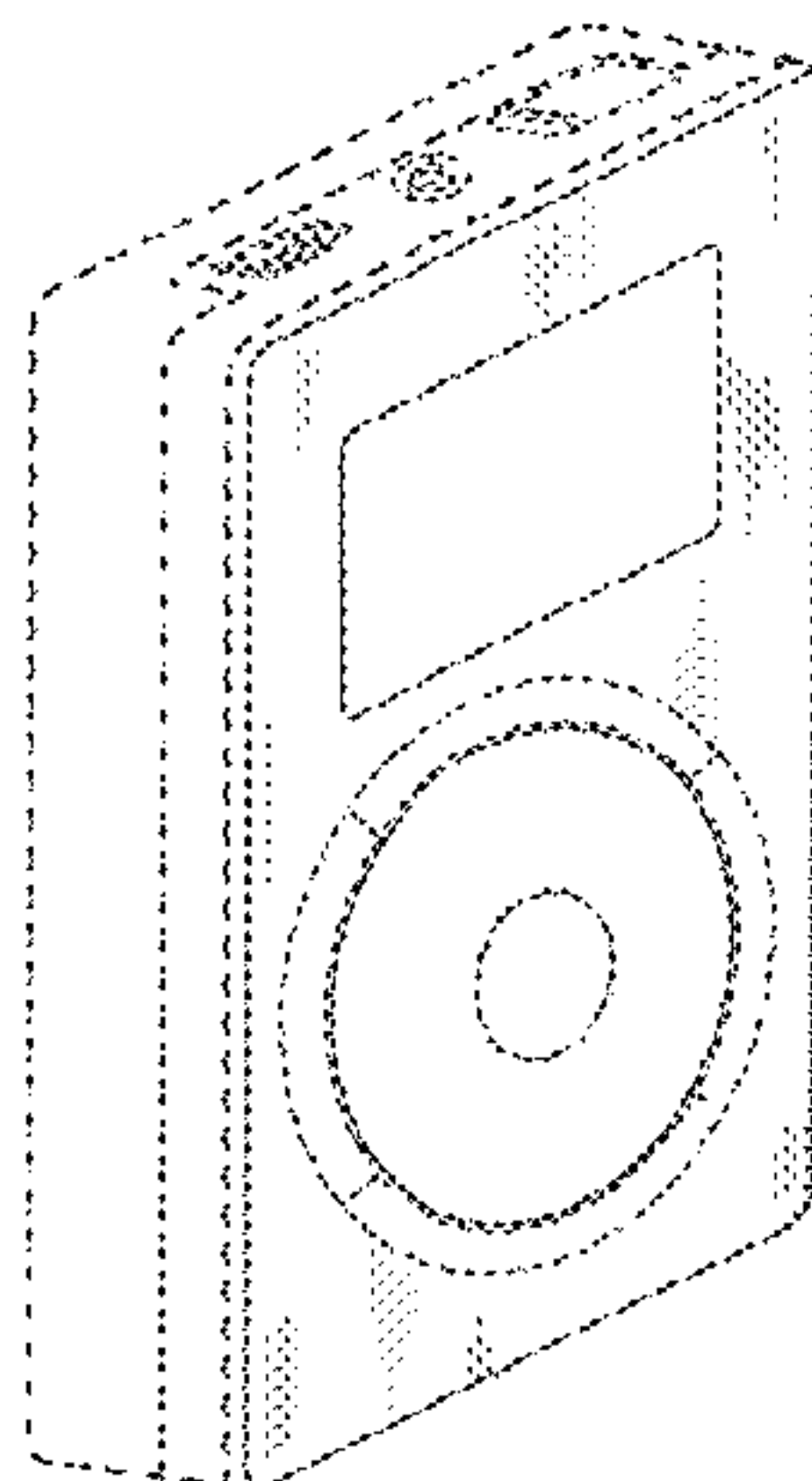
FIG. 6 is a top view thereof; and,

FIG. 7 is a rear view thereof.

The broken lines in the Figures show portions of the media device which form no part of the claimed design.

The shade lines in the Figures show contour and not surface ornamentation.

**1 Claim, 5 Drawing Sheets**



# US D660,821 S

Page 2

---

## U.S. PATENT DOCUMENTS

6,227,966	B1 *	5/2001	Yokoi .....	463/1			
6,314,483	B1 *	11/2001	Goto et al. ....	710/107			
D469,109	S	1/2003	Andre et al.				
D472,245	S	3/2003	Andre et al.				
6,593,914	B1 *	7/2003	Nuovo et al. ....	345/169			
D516,576	S *	3/2006	Ive et al. ....	D14/203.7			
7,046,230	B2	5/2006	Zadesky et al.				
D527,015	S *	8/2006	Yang .....	D14/203.7			
D532,425	S *	11/2006	Kim .....	D14/203.7			
D538,822	S *	3/2007	Andre et al. ....	D14/203.7			
7,333,092	B2	2/2008	Zadesky et al.				
7,348,967	B2	3/2008	Zadesky et al.				
D610,126	S	2/2010	Andre et al.				
D622,261	S	8/2010	Andre et al.				
D633,470	S	3/2011	Andre et al.				
D643,403	S	8/2011	Andre et al.				

\* cited by examiner

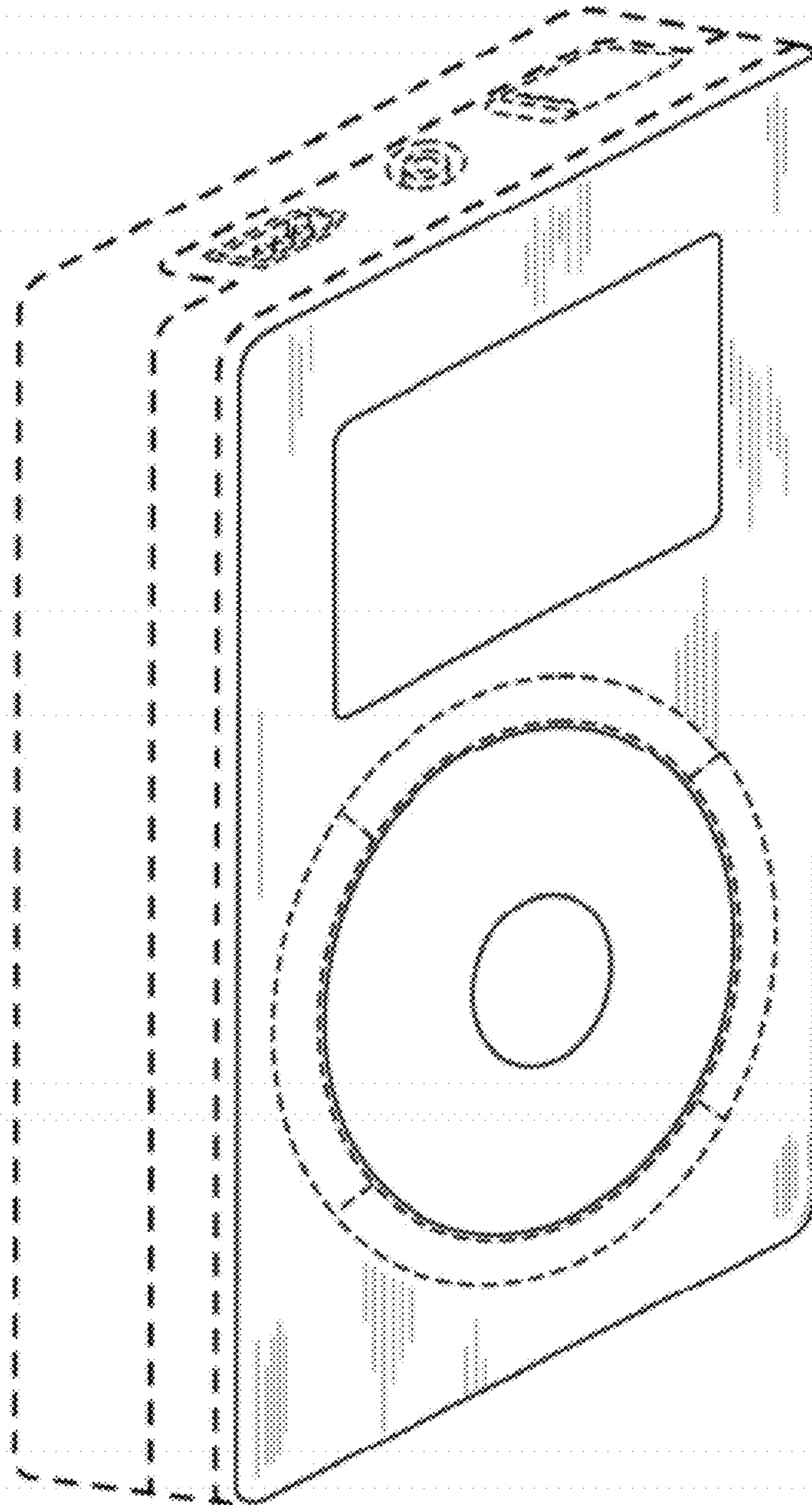


FIG. 1



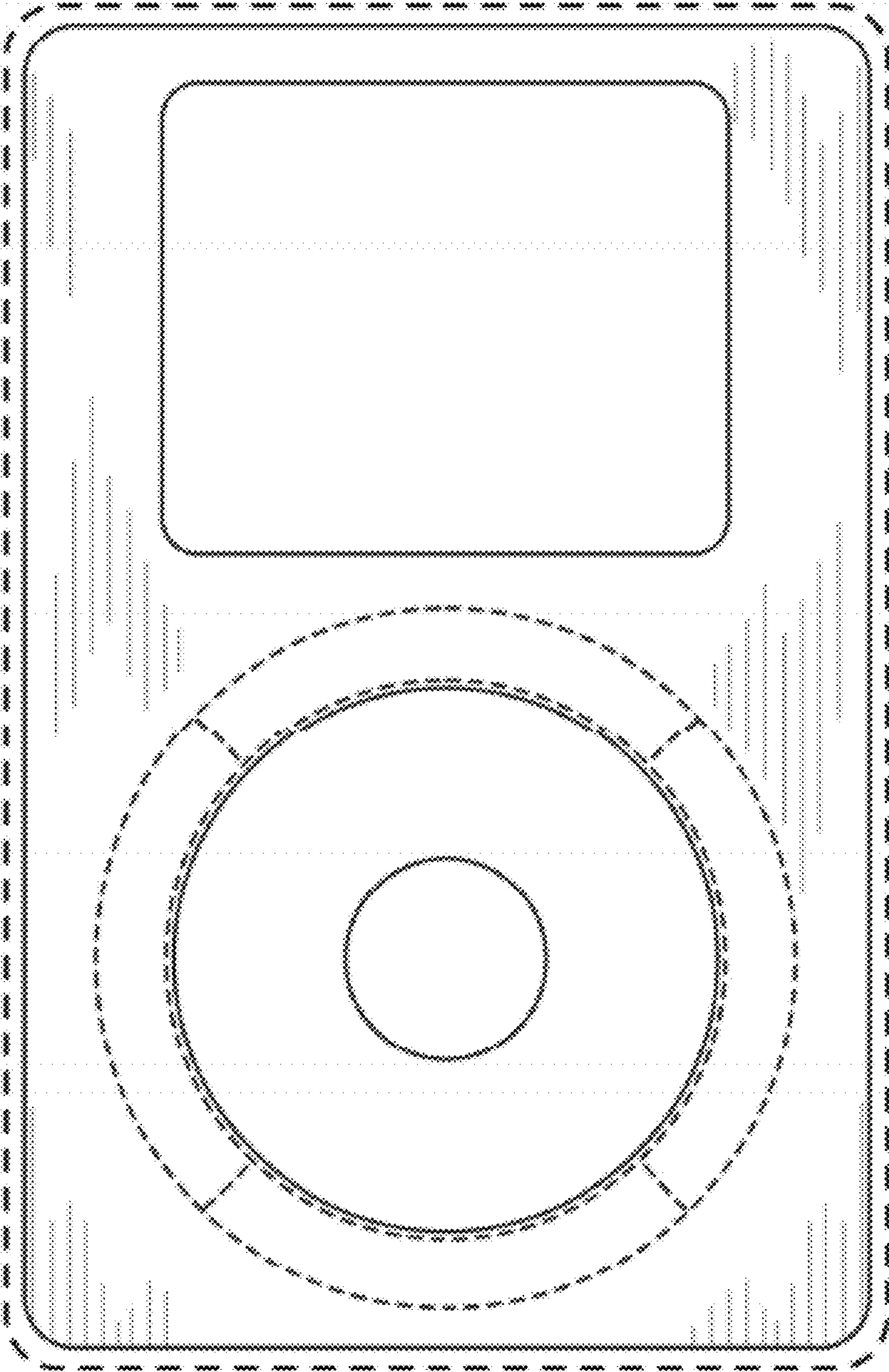


FIG. 2

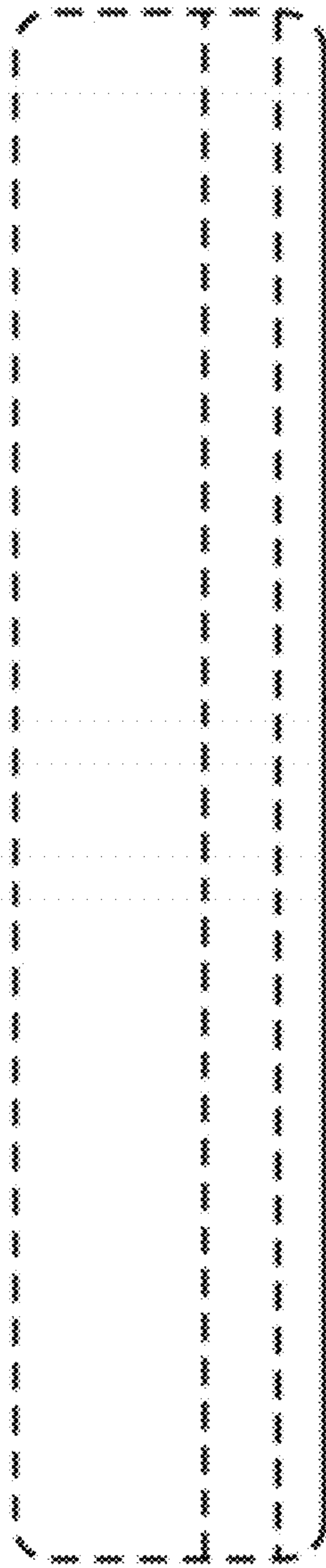


FIG. 3

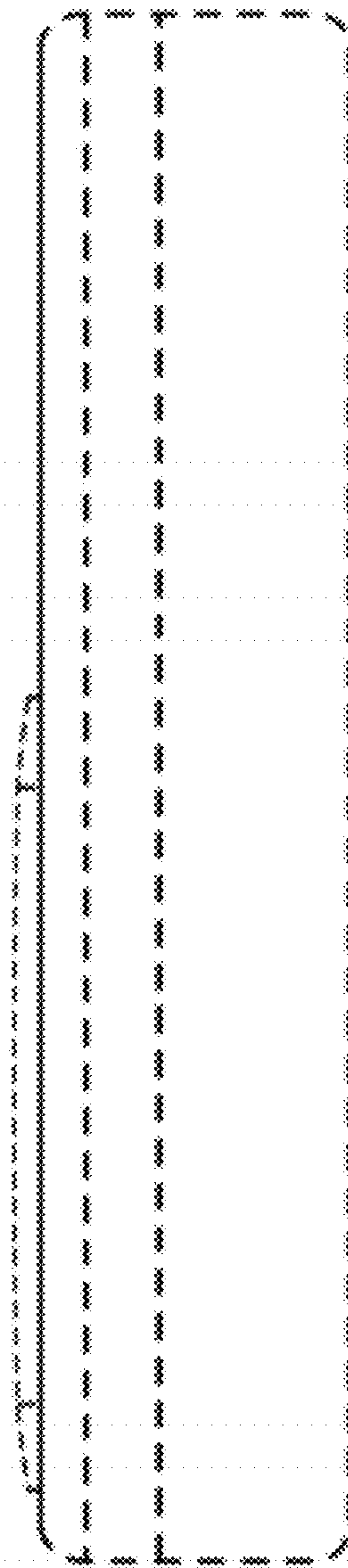


FIG. 4

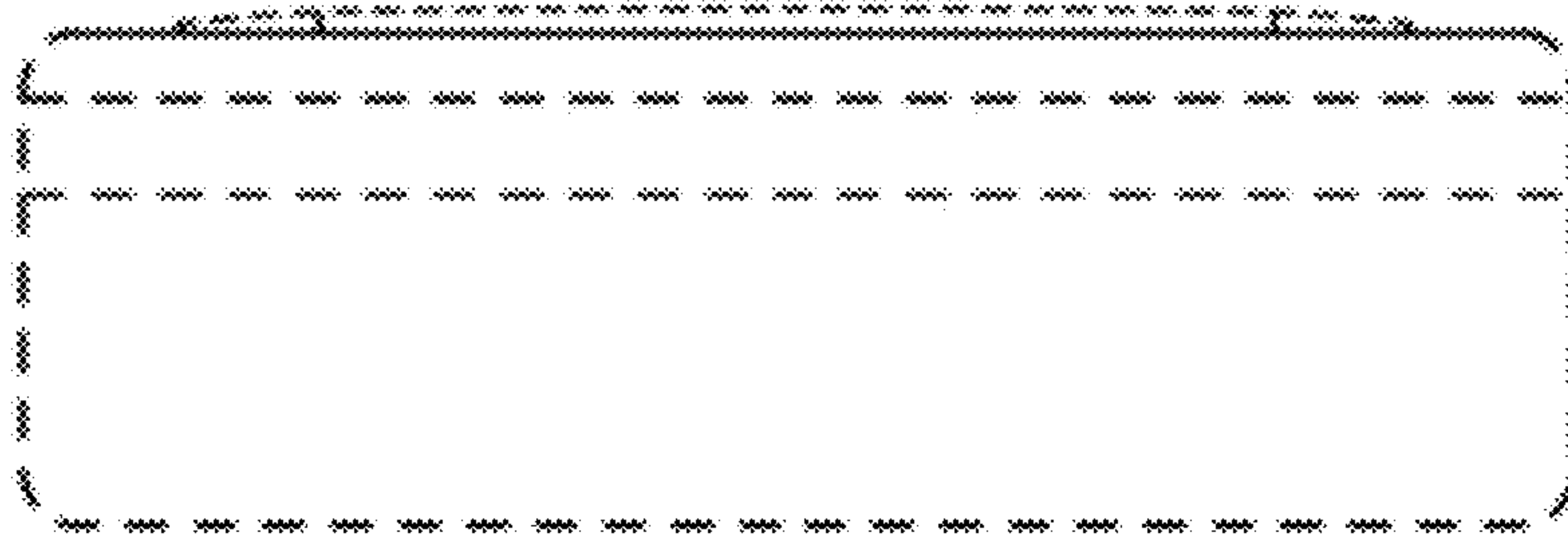


FIG. 5

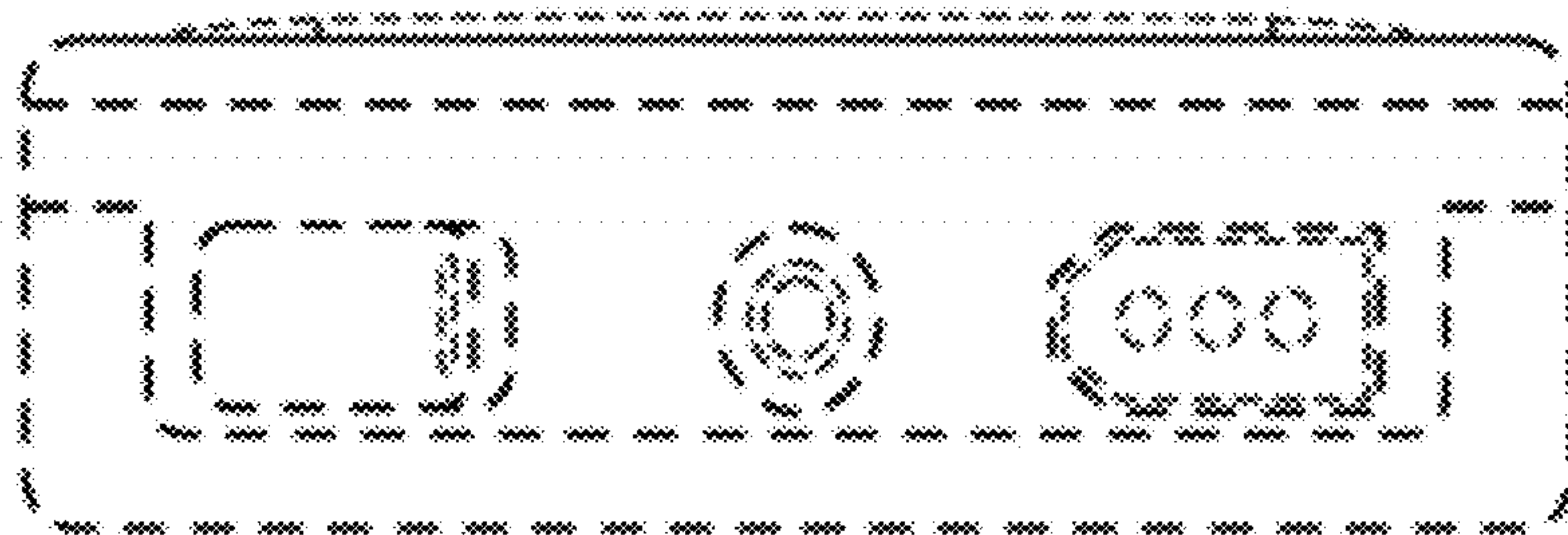
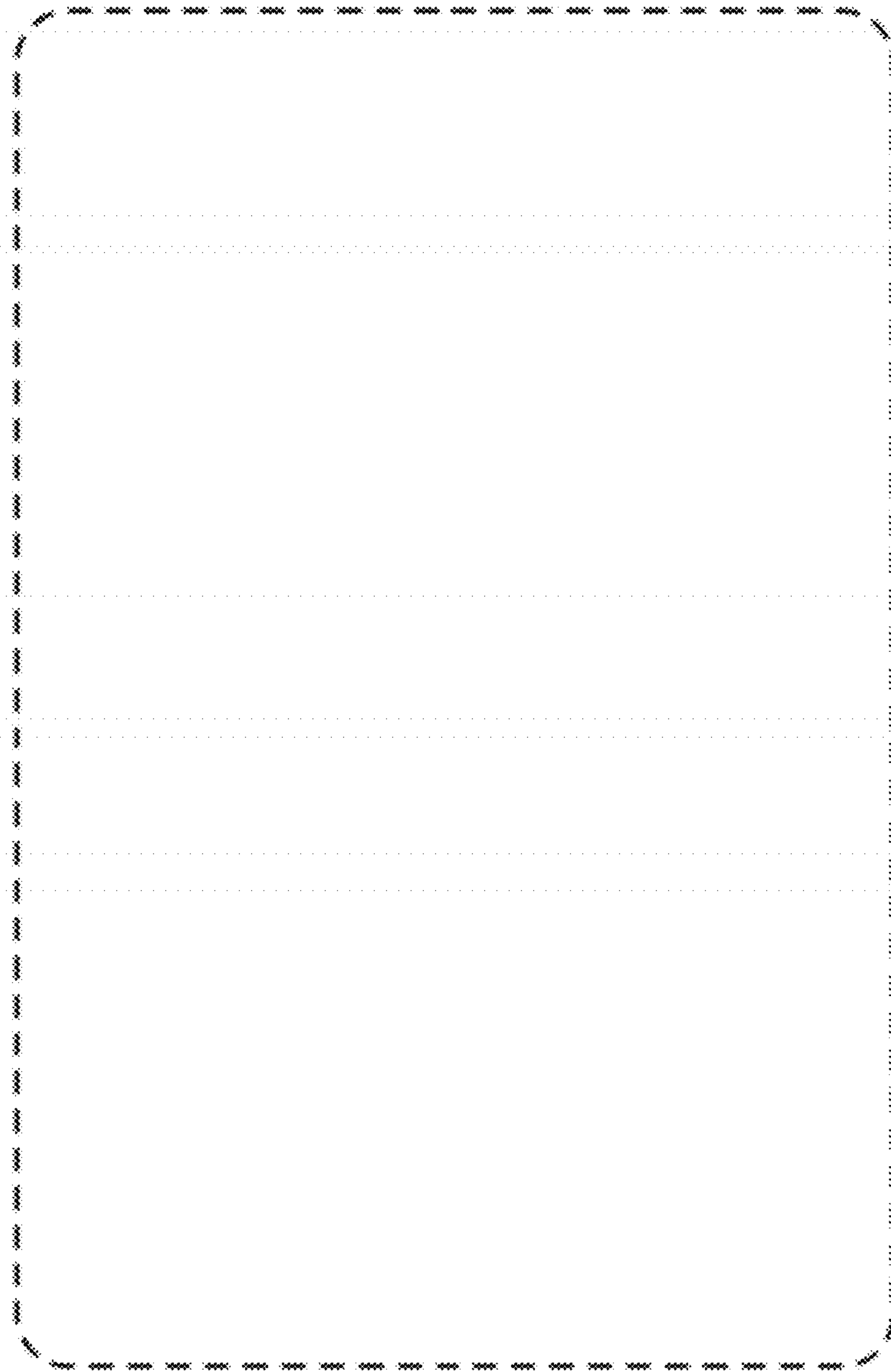


FIG. 6



**FIG. 7**