

US00D660820S

(12) **United States Design Patent**  
**Song et al.**

(10) **Patent No.:** **US D660,820 S**

(45) **Date of Patent:** **\*\* May 29, 2012**

(54) **MP3 PLAYER**

(56) **References Cited**

(75) Inventors: **Han-Gil Song**, Seoul (KR);  
**Jung-Hyuck Im**, Yongin-si (KR);  
**Min-Hyouk Lee**, Seoul (KR)

U.S. PATENT DOCUMENTS

D504,691	S	*	5/2005	Ohno	.....	D14/496
D526,331	S	*	8/2006	Lee	.....	D14/203.7
D568,339	S	*	5/2008	Skurdal	.....	D14/496
7,376,450	B2	*	5/2008	Chen	.....	455/575.4
D581,944	S	*	12/2008	Zhang et al.	.....	D14/496
D592,227	S	*	5/2009	Oh et al.	.....	D14/496
D607,873	S	*	1/2010	Lee	.....	D14/203.7
D612,866	S	*	3/2010	Sukeda	.....	D14/496
7,818,038	B2	*	10/2010	Huang	.....	455/575.4
7,852,322	B2	*	12/2010	Park	.....	345/168
D639,773	S	*	6/2011	Kang	.....	D14/203.7
8,032,182	B2	*	10/2011	Bennett	.....	455/558
8,095,180	B2	*	1/2012	Lee et al.	.....	455/556.1

(73) Assignee: **Samsung Electronics Co., Ltd.** (KR)

(\*\*) Term: **14 Years**

(21) Appl. No.: **29/397,342**

(22) Filed: **Jul. 14, 2011**

(30) **Foreign Application Priority Data**

Jun. 8, 2011 (KR) ..... 30-2011-0023373

(51) **LOC (9) Cl.** ..... **14-03**

(52) **U.S. Cl.** ..... **D14/203.7; D14/203.3; D14/496**

(58) **Field of Classification Search** ..... D14/496,  
D14/401, 435, 474, 483, 217, 137, 138, 160,  
D14/168, 356, 203.1–203.8, 507; 345/156,  
345/169, 173–179, 905; 715/727–729, 864;  
710/1, 5, 8; 713/1, 600; 455/1.1, 1.7, 73,  
455/344–347, 93, 95, 3.01–3.06, 550.1, 573.1;  
370/342–344; 369/1, 2, 6–12; 463/43–47;  
273/148 B

See application file for complete search history.

\* cited by examiner

*Primary Examiner* — Prabhakar Deshmukh

(74) *Attorney, Agent, or Firm* — Cantor Colburn LLP

(57) **CLAIM**

We claim, the ornamental design for MP3 player, as shown and described.

**DESCRIPTION**

FIG. 1 is a perspective view of MP3 player, showing our new design;

FIG. 2 is a front view thereof;

FIG. 3 is a rear view thereof;

FIG. 4 is a left side view thereof;

FIG. 5 is a right side view thereof;

FIG. 6 is a top view thereof;

FIG. 7 is a bottom view thereof; and,

FIG. 8 is an exploded perspective view thereof.

**1 Claim, 8 Drawing Sheets**

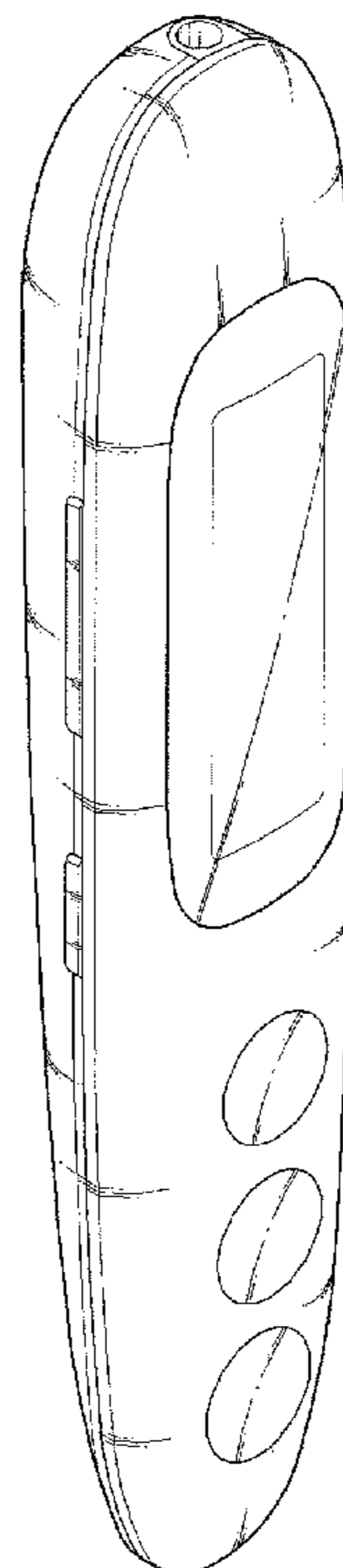


FIG. 1

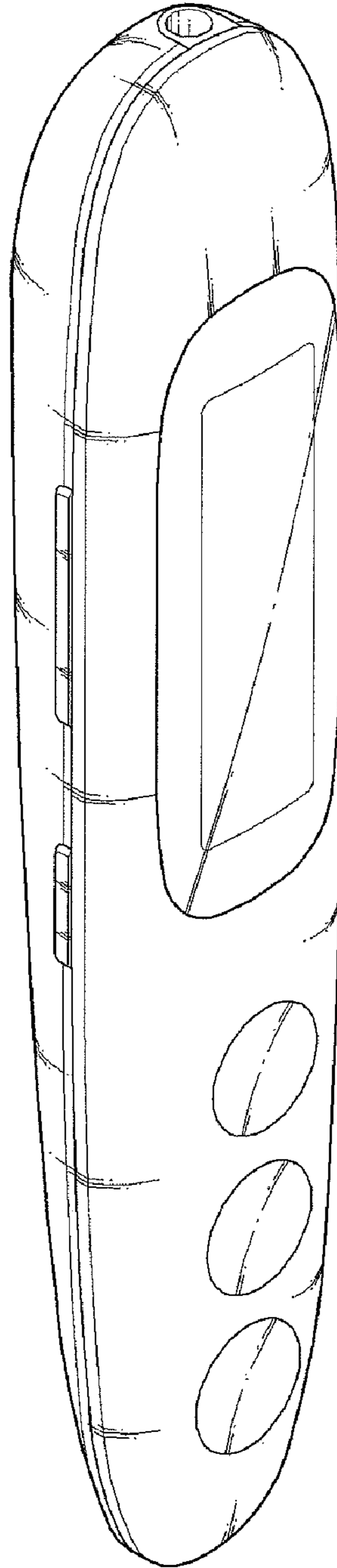


FIG. 2

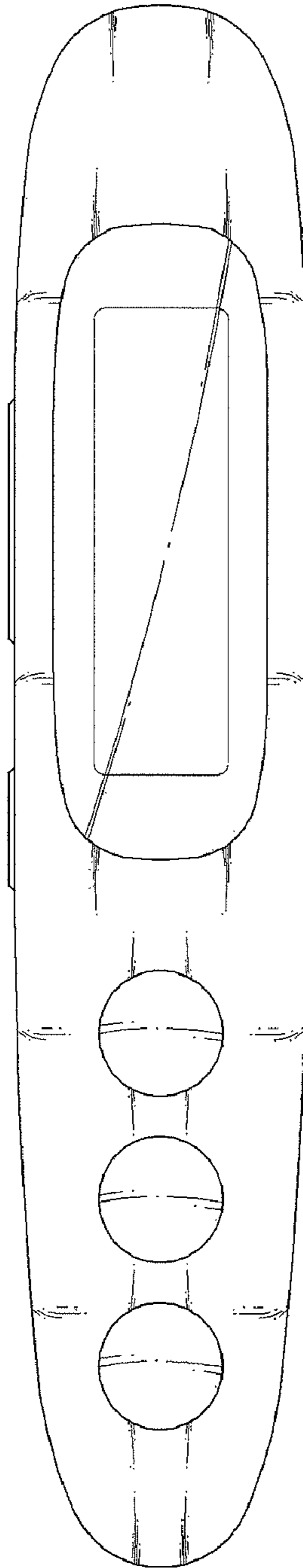


FIG. 3

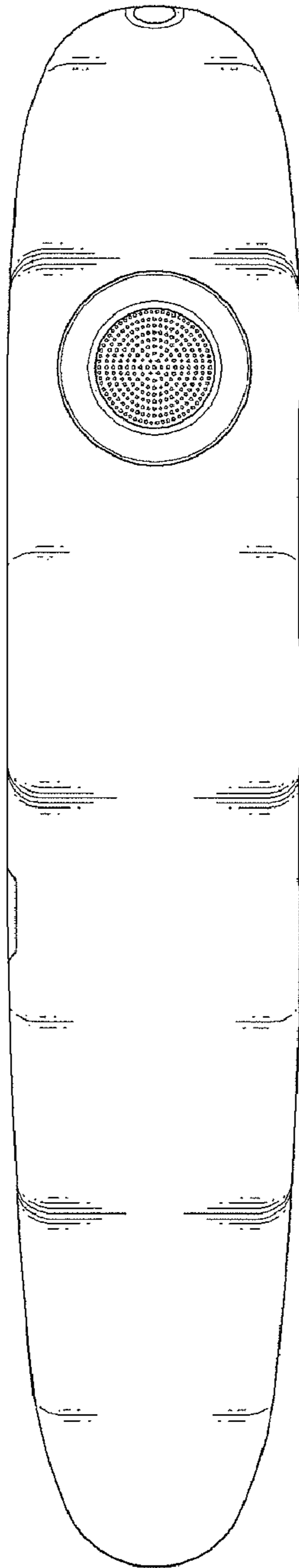


FIG. 4

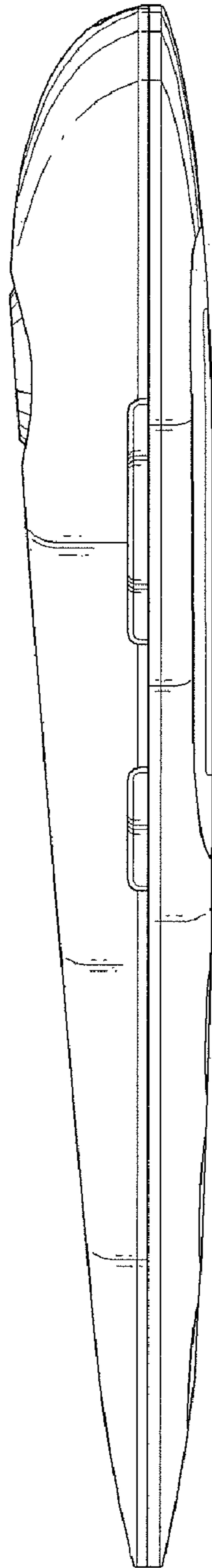
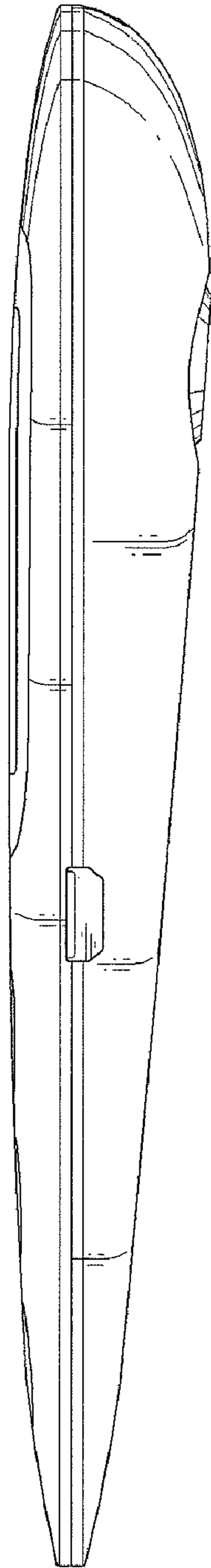
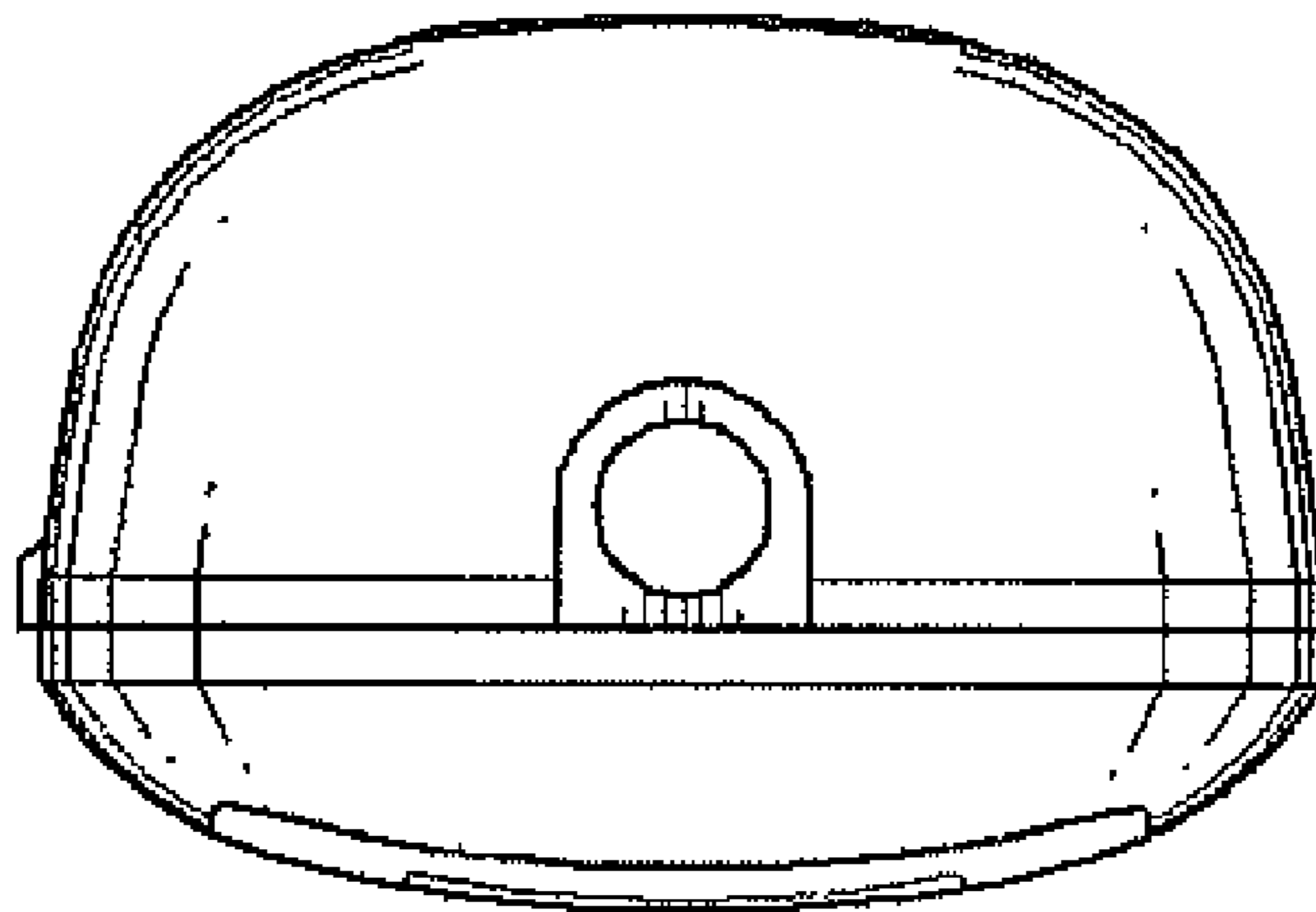


FIG. 5



# FIG. 6



# FIG. 7

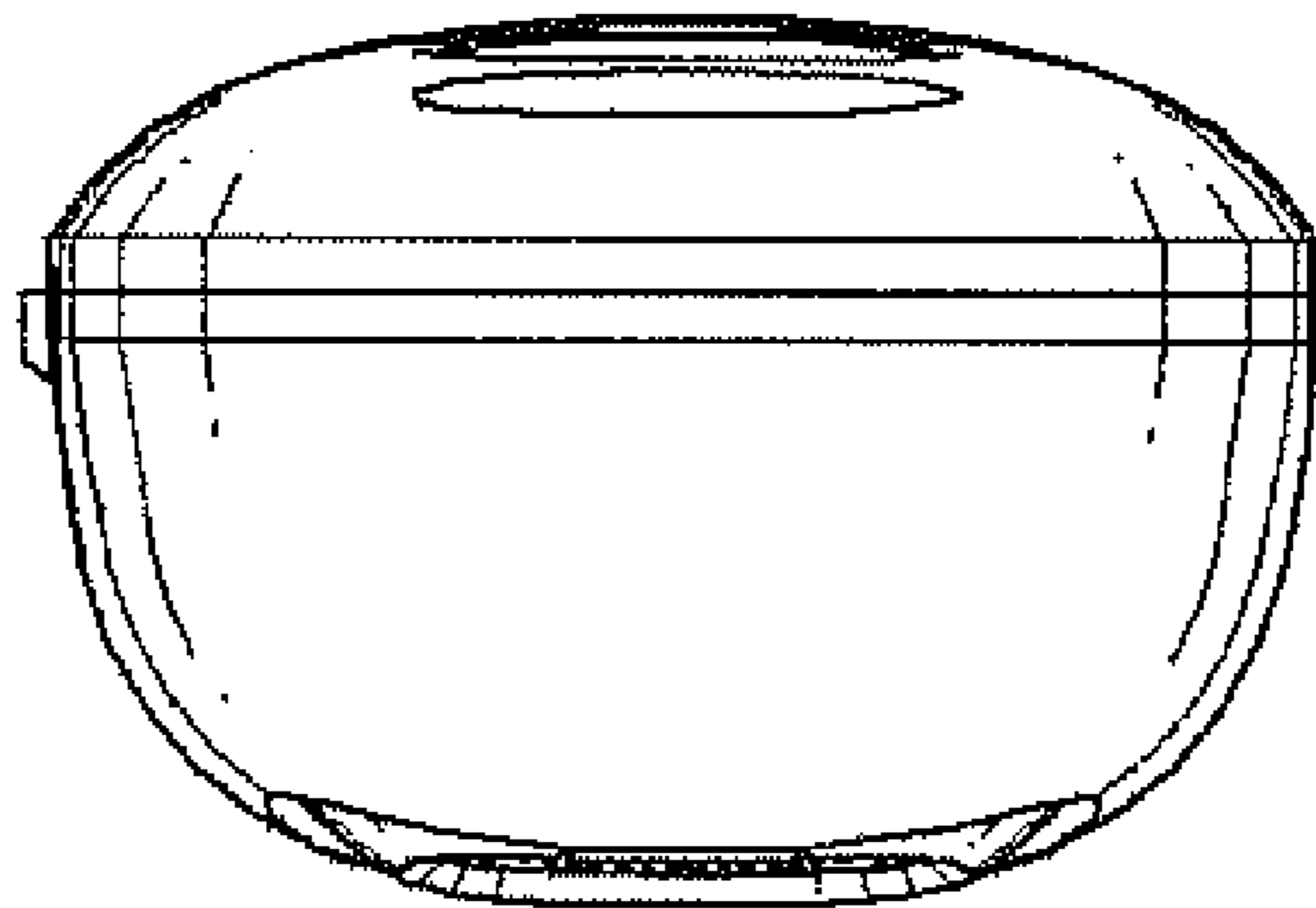




FIG. 8

