

US00D660816S

(12) **United States Design Patent**
Choi et al.

(10) **Patent No.:** **US D660,816 S**

(45) **Date of Patent:** **** May 29, 2012**

(54) **MOBILE PHONE**

(75) Inventors: **Sanghyun Choi**, Seoul (KR); **Seungil Lee**, Seoul (KR)

(73) Assignee: **LG Electronics Inc.**, Seoul (KR)

(**) Term: **14 Years**

(21) Appl. No.: **29/393,094**

(22) Filed: **May 31, 2011**

(30) **Foreign Application Priority Data**

Dec. 24, 2010 (KR) 30-2010-0055928

(51) **LOC (9) Cl.** **14-03**

(52) **U.S. Cl.** **D14/138 AA**

(58) **Field of Classification Search** D14/138 AA,
D14/496, 341, 345, 346, 203.3, 203.4, 203.7,
D14/138 AB, 138 AD, 138 R, 147, 218, 137;
455/575.1, 556.2, 575.3, 575.4; D21/517;
379/433.01, 433.04, 433.11, 433.12, 433.13

See application file for complete search history.

(56) **References Cited**

U.S. PATENT DOCUMENTS

D524,786 S *	7/2006	Paradise et al.	D14/138 AA
D556,726 S *	12/2007	Dai	D14/138 AA
D583,352 S *	12/2008	Son et al.	D14/138 AA
D584,262 S *	1/2009	Hu et al.	D14/138 AA
D591,742 S *	5/2009	Hofer et al.	D14/346
D600,231 S *	9/2009	Lee et al.	D14/138 AA
D601,117 S *	9/2009	Hong et al.	D14/138 AA
D603,831 S *	11/2009	Ho et al.	D14/138 AA
D603,833 S *	11/2009	Ho et al.	D14/138 AA
D607,866 S *	1/2010	Kim et al.	D14/138 AA
D614,159 S *	4/2010	Lee et al.	D14/138 AA
D614,599 S *	4/2010	Kim et al.	D14/138 AA
D615,088 S *	5/2010	Matsuoka	D14/439
D615,953 S *	5/2010	Lee et al.	D14/138 AA
D622,247 S *	8/2010	Kwon et al.	D14/138 AA
D623,161 S *	9/2010	Kwon et al.	D14/138 AA
D623,163 S *	9/2010	Choi et al.	D14/138 AA
D626,105 S *	10/2010	Kim et al.	D14/138 AA
D628,550 S *	12/2010	Chen	D14/138 AA
D630,200 S *	1/2011	Ruohonen et al.	D14/248

D631,450 S *	1/2011	Moss	D14/138 AA
D636,363 S *	4/2011	Stillerman et al.	D14/138 AA
D637,577 S *	5/2011	Han et al.	D14/138 AA
D639,263 S *	6/2011	Lee	D14/138 AA
D642,153 S *	7/2011	Nilsen et al.	D14/138 AA
D643,395 S *	8/2011	Moss	D14/138 AA
2009/0209301 A1 *	8/2009	Lin et al.	455/575.1

OTHER PUBLICATIONS

LG Town C300 telephone, announced Sep. 2010, [online], [site visited Aug. 23, 2011]. Available from Internet, <URL: <http://www.gsmarena.com>>.*

LG C105 telephone, announced Jul. 2010, [online], [site visited Aug. 23, 2011]. Available from Internet, <URL: <http://www.gsmarena.com>>.*

Nokia C3 telephone, announced Apr. 2010, [online], [site visited Aug. 23, 2011]. Available from Internet, <URL: <http://www.gsmarena.com>>.*

Samsung Ch@t 322 telephone, announced Oct. 2010, [online], [site visited Aug. 23, 2011]. Available from Internet, <URL: <http://www.gsmarena.com>>.*

Samsung R380 Freeform III telephone, announced Jul. 2011, [online], [site visited Aug. 23, 2011]. Available from Internet, <URL: <http://www.gsmarena.com>>.*

(Continued)

Primary Examiner — Jeffrey D Asch

(74) *Attorney, Agent, or Firm* — Birch, Stewart, Kolasch & Birch, LLP

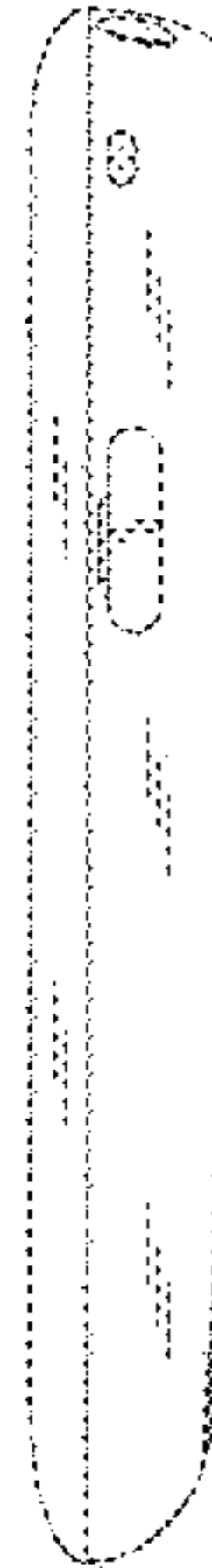
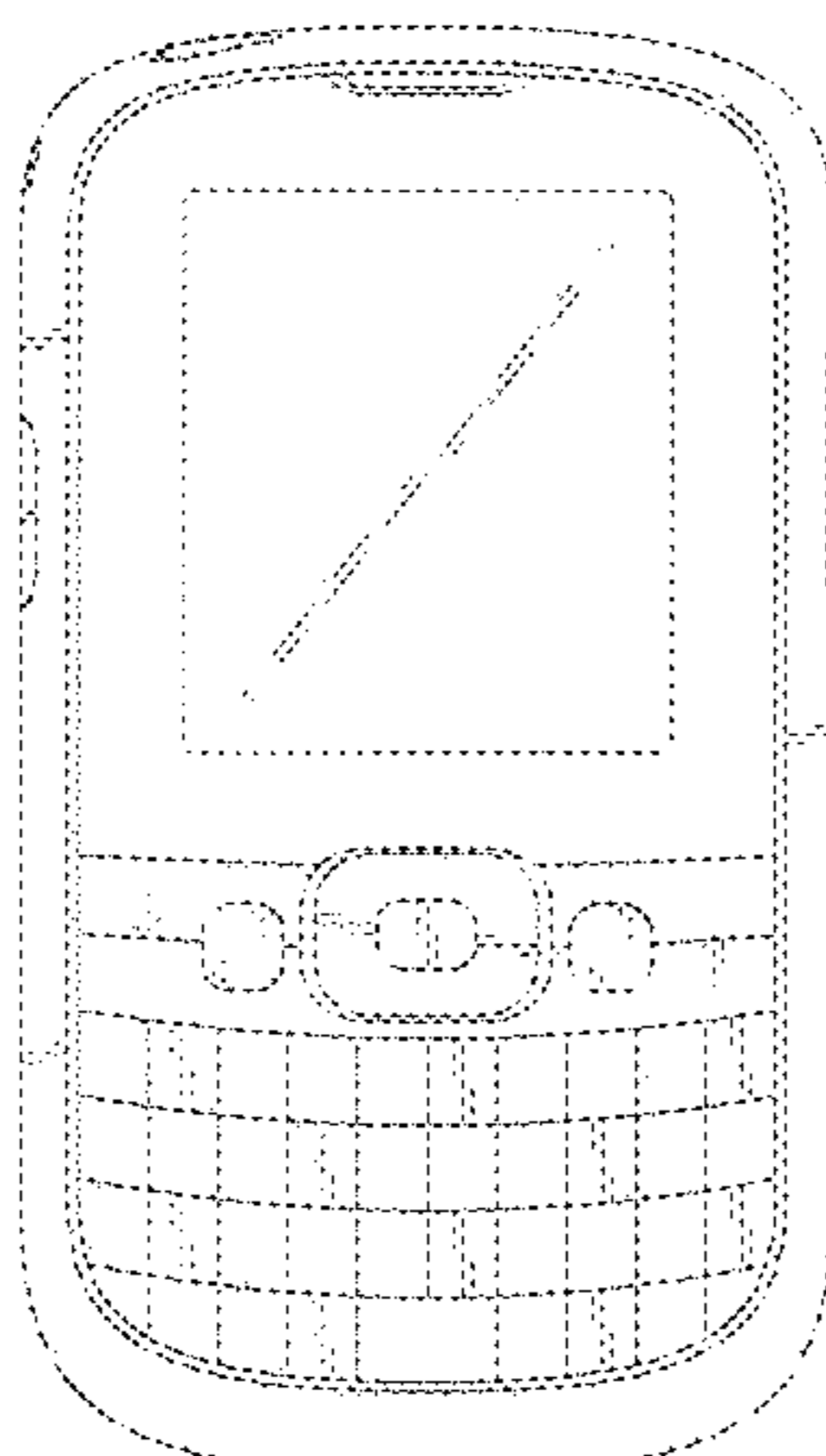
(57) **CLAIM**

The ornamental design for a mobile phone, as shown and described.

DESCRIPTION

FIG. 1 is a perspective view of a mobile phone showing our new design;
FIG. 2 is a front view thereof;
FIG. 3 is a rear view thereof;
FIG. 4 is a left side view thereof;
FIG. 5 is a right side view thereof;
FIG. 6 is a top plan view thereof; and,
FIG. 7 is a bottom plan view thereof.

1 Claim, 6 Drawing Sheets



OTHER PUBLICATIONS

Samsung i350 Intrepid telephone, announced Mar. 2009, [online], [site visited Sep. 20, 2011]. Available from Internet, <URL: <http://www.gsmarena.com>>.*

Alcatel OT-900 telephone, announced Feb. 2011, [online], [site visited Aug. 23, 2011]. Available from Internet, <URL: <http://www.gsmarena.com>>.*
Samsung R351 Freeform, announced Aug. 2009, [online], [site visited Sep. 20, 2011]. Available from Internet, <URL: <http://www.gsmarena.com>>.*

* cited by examiner

FIG. 1

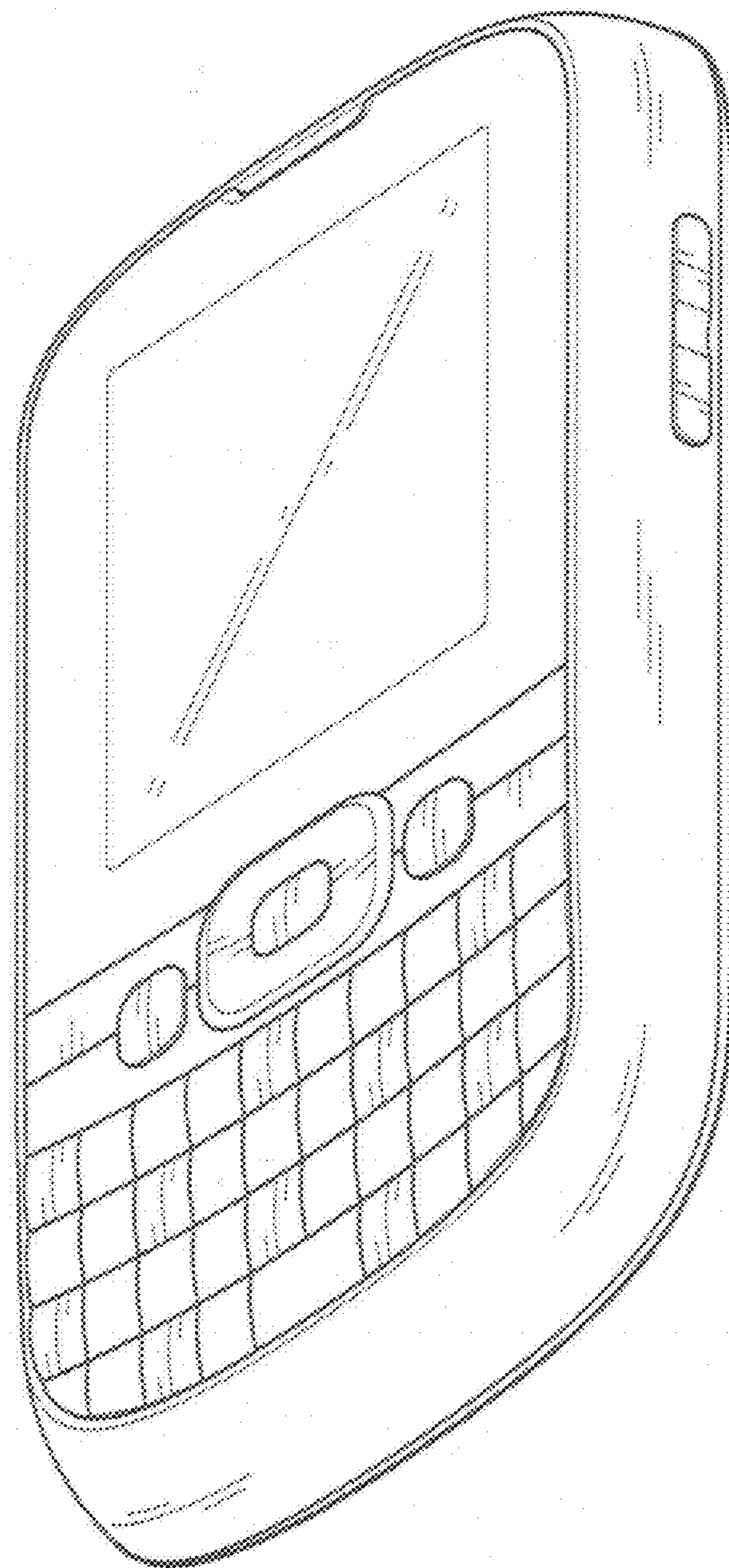


FIG. 2

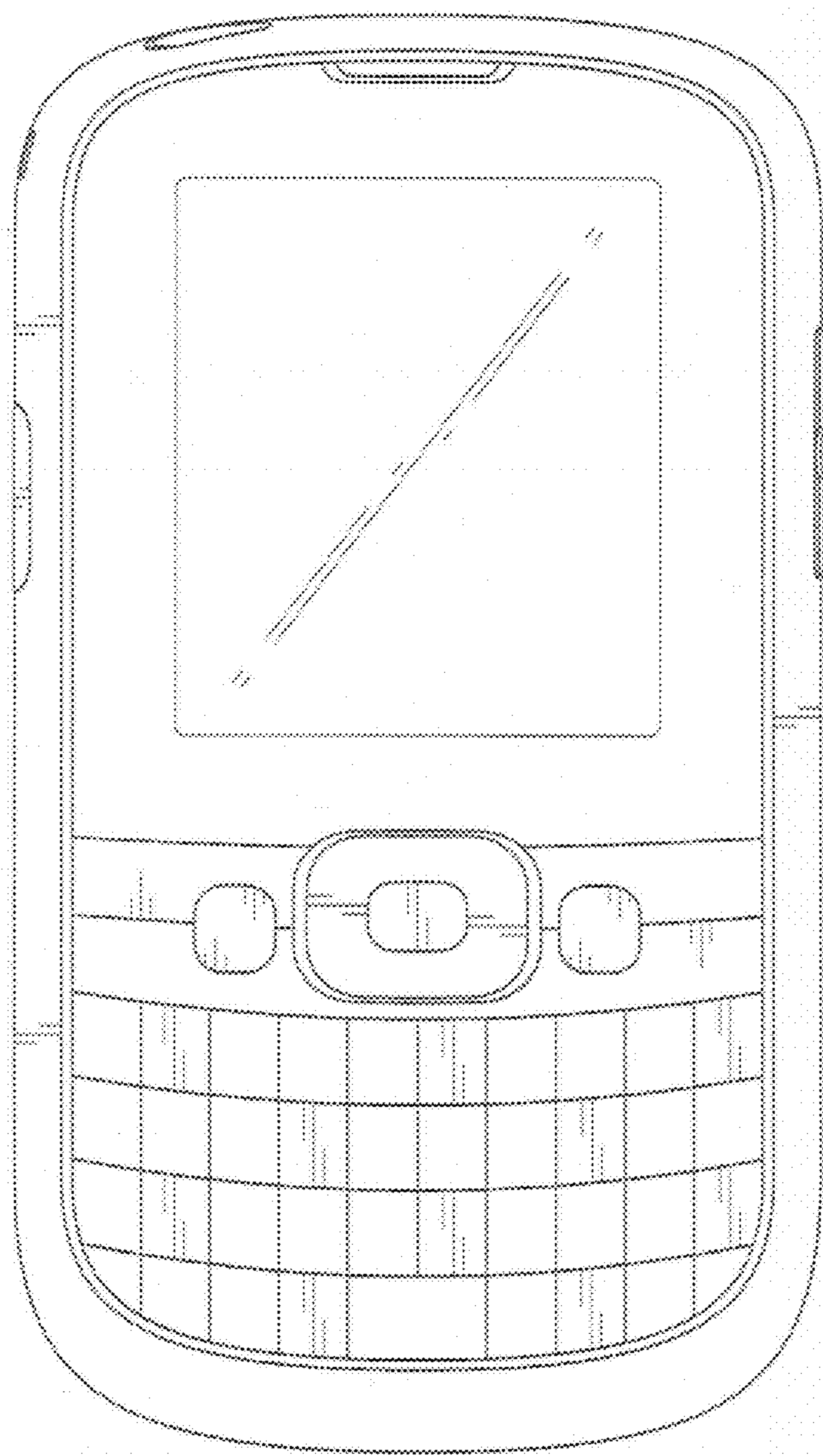


FIG. 3

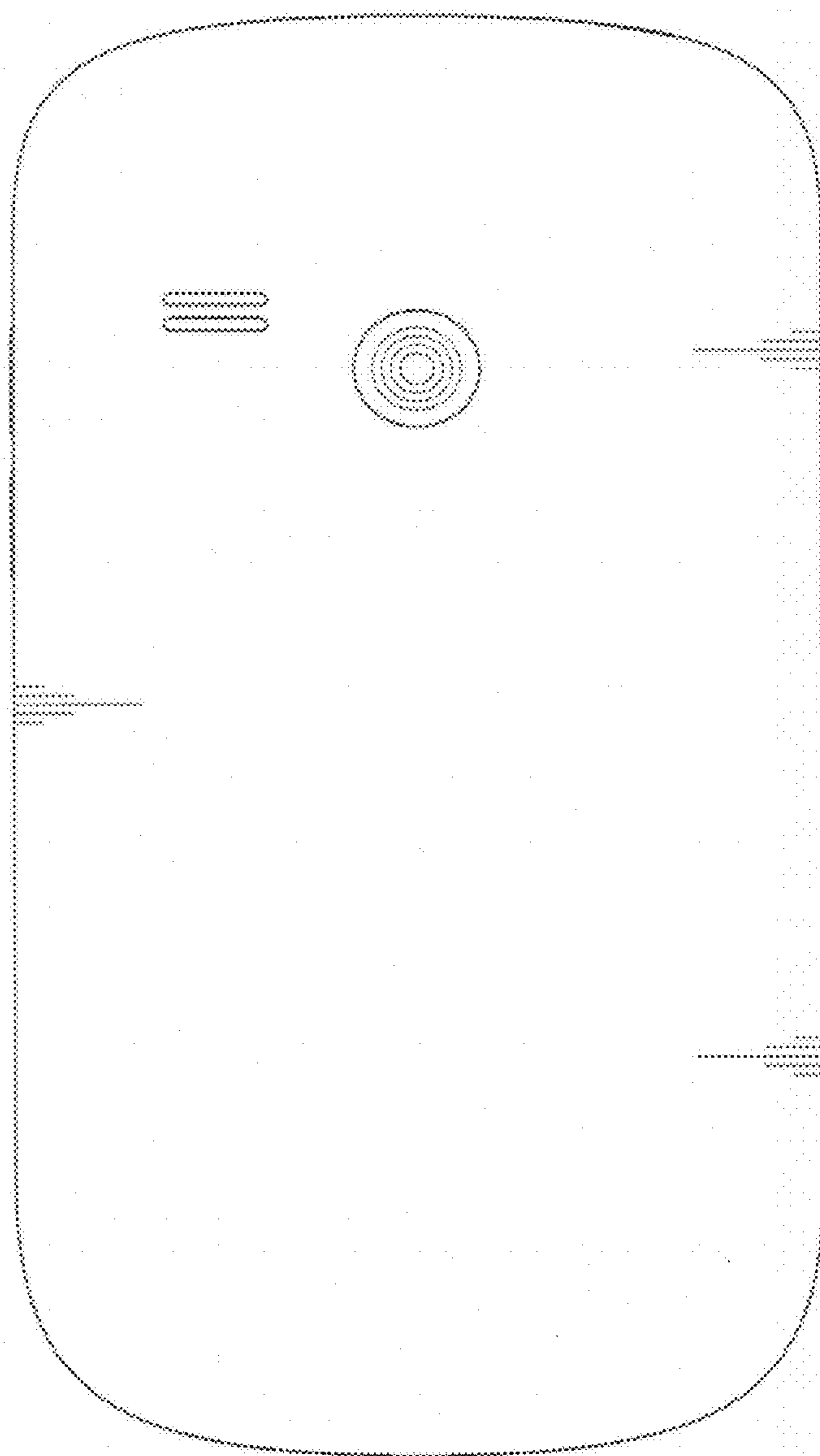


FIG. 4

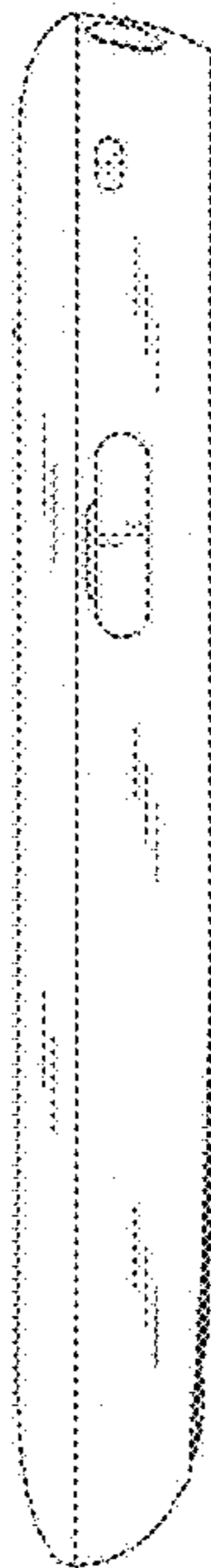


FIG. 5

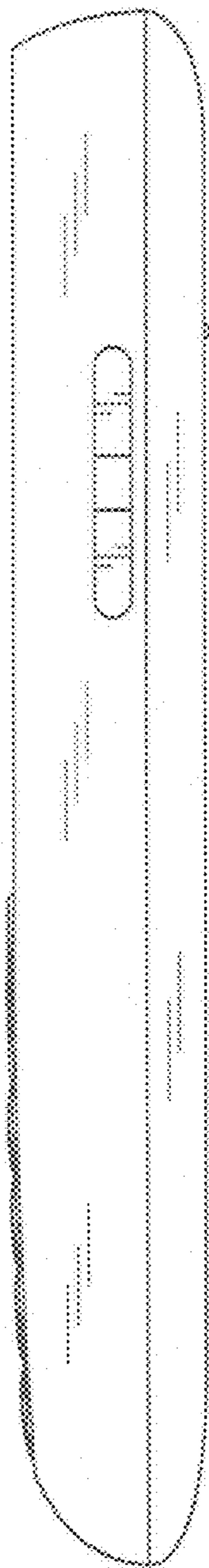


FIG. 6

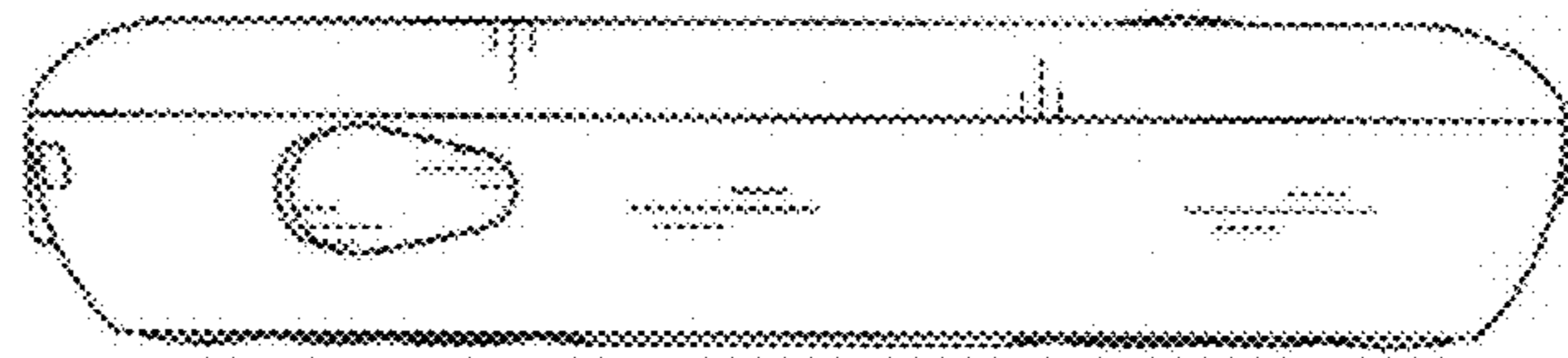


FIG. 7

