



US00D660814S

(12) **United States Design Patent**  
**Wilson**

(10) **Patent No.:** **US D660,814 S**  
(45) **Date of Patent:** **\*\* May 29, 2012**

(54) **G4 SIDE PIN LIGHT-EMITTING DIODE  
ADJUSTABLE PLUG ANGLE HOUSING  
ASSEMBLY**

**DESCRIPTION**

(75) Inventor: **Gregg Wilson**, Goleta, CA (US)

(73) Assignee: **Starlights, Inc.**, Goleta, CA (US)

(\*\*) Term: **14 Years**

(21) Appl. No.: **29/396,642**

(22) Filed: **Jul. 5, 2011**

(51) **LOC (9) Cl.** ..... **13-03**

(52) **U.S. Cl.** ..... **D13/180**

(58) **Field of Classification Search** ..... D13/180;  
D26/2, 35; 257/99; 313/318.01, 318.02,  
313/318.1; 362/172, 647, 800; 439/176.1,  
439/239, 675, 699.2

See application file for complete search history.

(56) **References Cited**

**U.S. PATENT DOCUMENTS**

6,213,816	B1 *	4/2001	Meichsner et al.	.....	439/699.2
6,869,300	B2 *	3/2005	Lefki et al.	.....	439/242
7,568,830	B2 *	8/2009	Hsu	.....	362/655
7,745,982	B2 *	6/2010	Rosenmuller et al.	...	313/318.01
7,841,741	B2 *	11/2010	Chan et al.	.....	362/249.04
7,850,361	B2 *	12/2010	Yu	.....	362/647
D634,282	S	3/2011	Wilson		
8,118,447	B2 *	2/2012	Simon et al.	.....	362/235
2002/0068470	A1 *	6/2002	Spiegel	.....	439/76.1
2002/0167257	A1 *	11/2002	Shen	.....	313/318.01
2009/0015127	A1 *	1/2009	Li et al.	.....	313/318.01
2009/0280695	A1 *	11/2009	Sekela et al.	.....	439/699.2
2011/0273076	A1 *	11/2011	Liang et al.	.....	313/318.01

\* cited by examiner

*Primary Examiner* — Selina Sikder

(74) *Attorney, Agent, or Firm* — Frank Slutch

(57) **CLAIM**

The ornamental design for a G4 side pin light-emitting diode adjustable plug angle housing assembly, as shown and described.

FIG. 1 is a top front perspective view showing the G4 side pin light-emitting diode adjustable plug angle housing assembly; FIG. 2 is a top rear perspective view showing the G4 side pin light-emitting diode adjustable plug angle housing assembly; FIG. 3 is a bottom perspective view showing the G4 side pin light-emitting diode adjustable plug angle housing assembly adjusted in the 10° down plug detent slot position; FIG. 4 is a bottom perspective view showing the G4 side pin light-emitting diode adjustable plug angle housing assembly adjusted in the 0° down plug detent slot position; FIG. 5 is a side elevational view showing the G4 side pin light-emitting diode adjustable plug angle housing assembly adjusted in the 10° down plug detent slot position; FIG. 6 is a side elevational view showing the two parts of the G4 side pin light-emitting diode adjustable plug angle housing assembly adjusted in the 10° down plug detent slot position; FIG. 7 is a side elevational view showing the G4 side pin light-emitting diode adjustable plug angle housing assembly adjusted in the 0° down plug detent slot position; FIG. 8 is a side elevational view showing the two parts of the G4 side pin light-emitting diode adjustable plug angle housing assembly adjusted in the 0° down plug detent slot position; FIG. 9 is a back view showing G4 side pin light-emitting diode adjustable plug angle housing assembly adjusted in the 10° down plug detent slot position; FIG. 10 is a back view showing the two parts of the G4 side pin light-emitting diode adjustable plug angle housing assembly adjusted in the 10° down plug detent slot position; FIG. 11 is a back elevational view showing the G4 side pin light-emitting diode adjustable plug angle housing assembly adjusted in the 0° down plug detent slot position; FIG. 12 is a back elevational view showing the two parts of the G4 side pin light-emitting diode adjustable plug angle housing assembly adjusted in the 0° down plug detent slot position; FIG. 13 is a front elevational view showing the G4 side pin light-emitting diode adjustable plug angle housing assembly adjusted in the 10° down plug detent slot position;

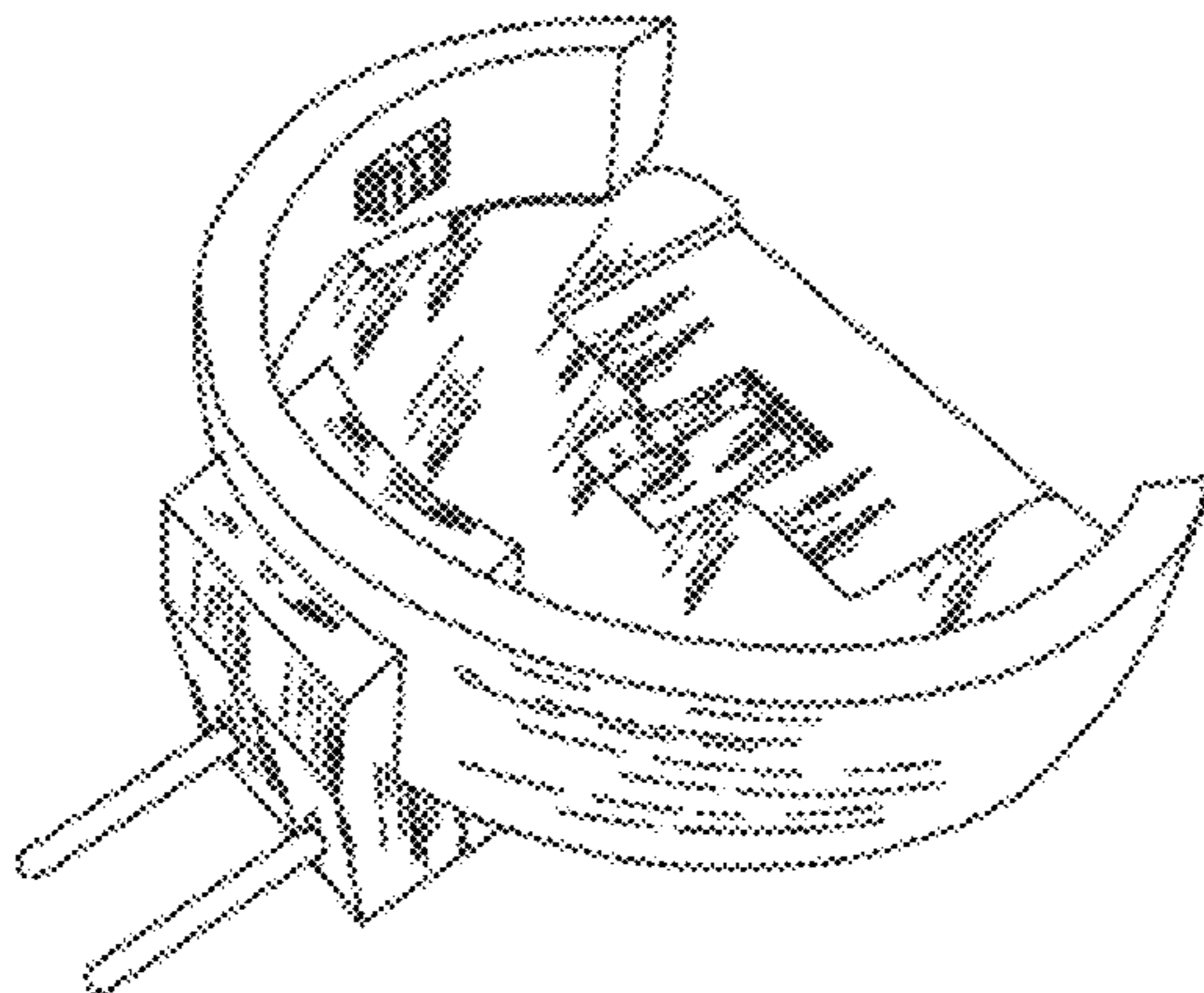


FIG. **14** is a front elevational view showing the G4 side pin light-emitting diode adjustable plug angle housing assembly adjusted in the 0° down plug detent slot position;

FIG. **15** is a top plan view of the G4 side pin light-emitting diode adjustable plug angle housing assembly;

FIG. **16** is a top plan view showing the two parts of the G4 side pin light-emitting diode adjustable plug angle housing assembly;

FIG. **17** is a top plan view of the G4 side pin light-emitting diode adjustable plug angle housing assembly showing where the section cut is to be made; and,

FIG. **18** is a Section "I-I" view of the G4 side pin light-emitting diode adjustable plug angle housing assembly.

The broken lines, showing the remainder of the G4 side pin light-emitting diode adjustable plug angle housing assembly, are for illustrative purposes only, and form no part of the claimed design.

**1 Claim, 9 Drawing Sheets**

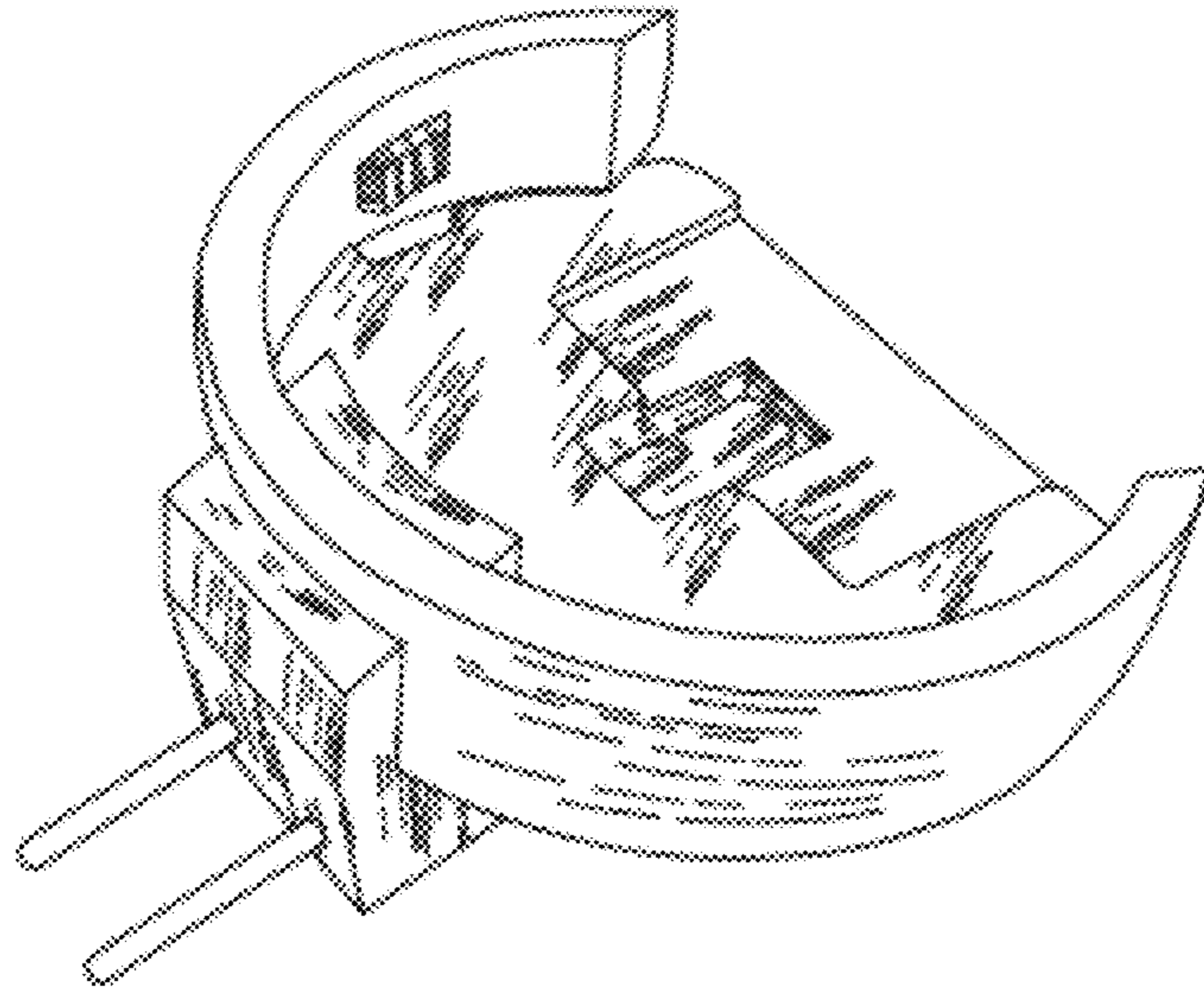


FIG. 1

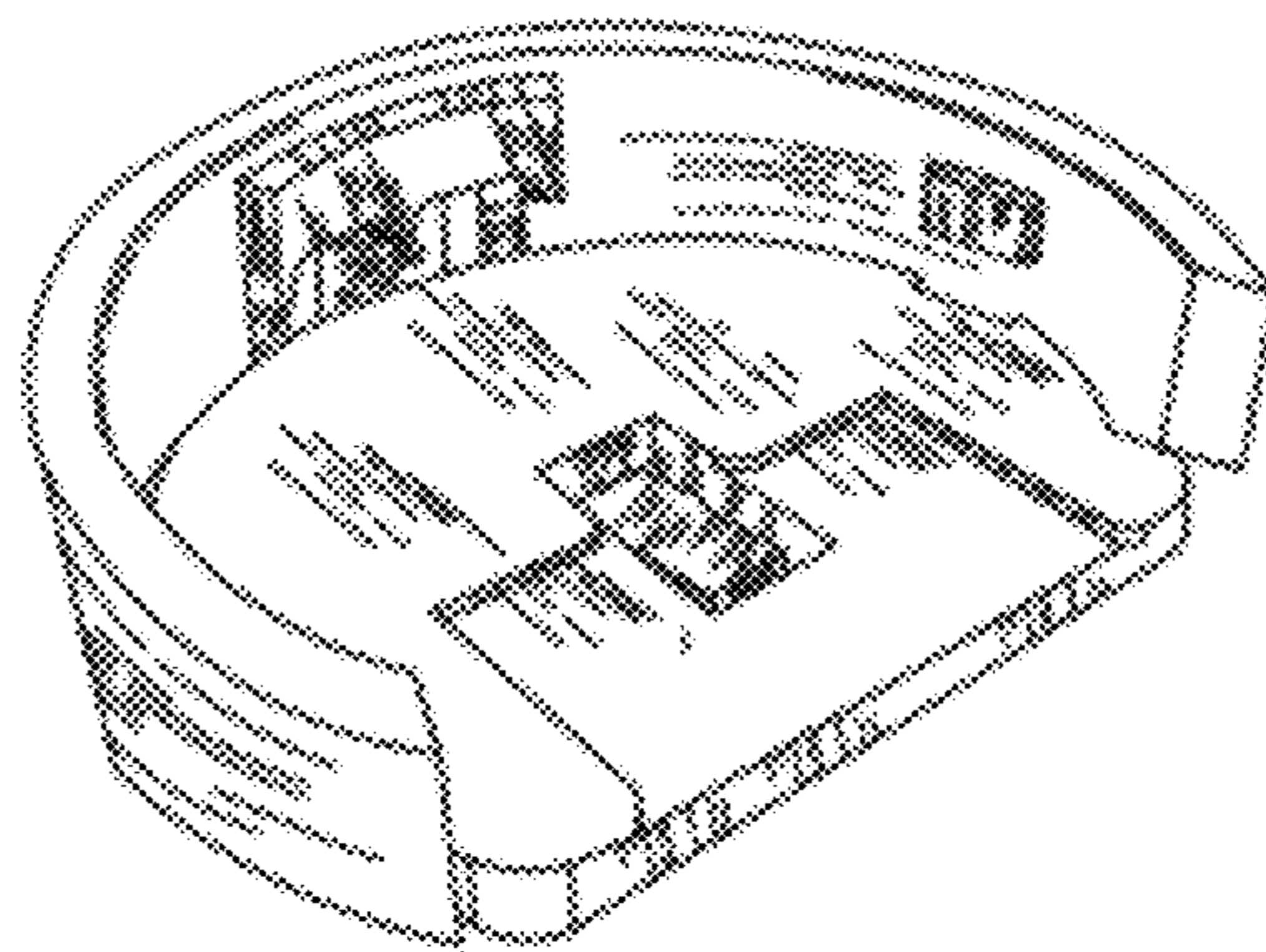


FIG. 2

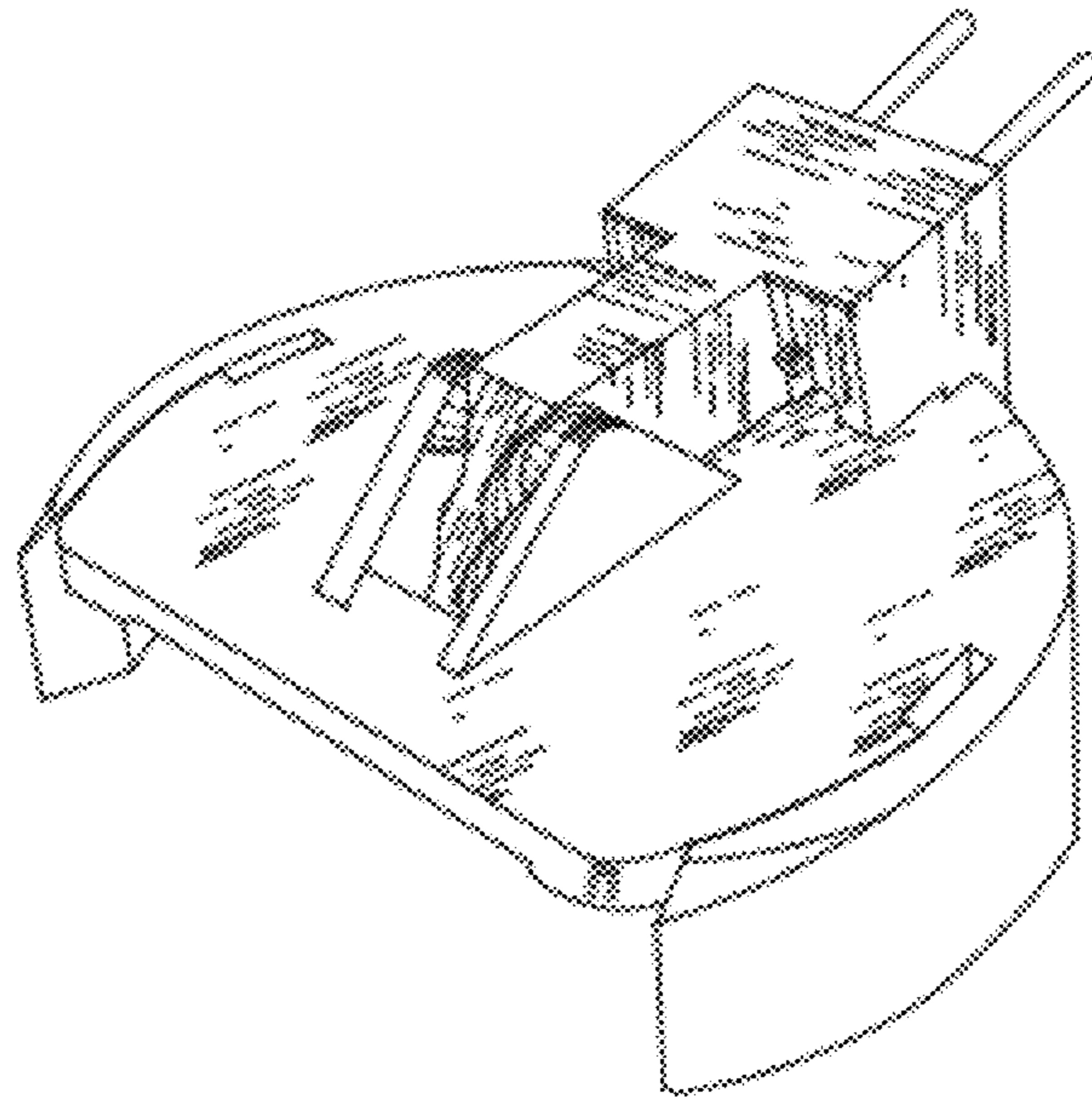


FIG. 3

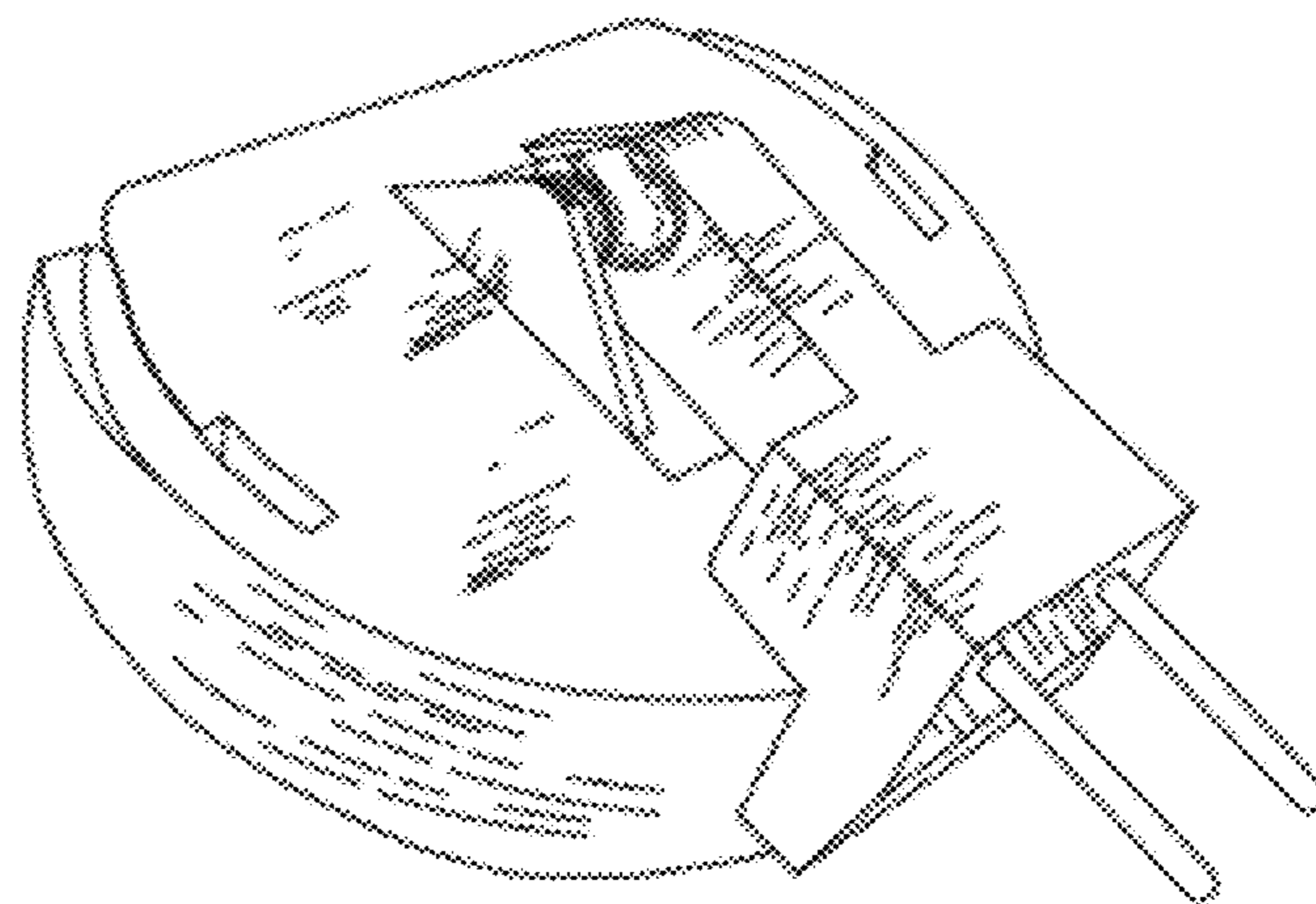


FIG. 4

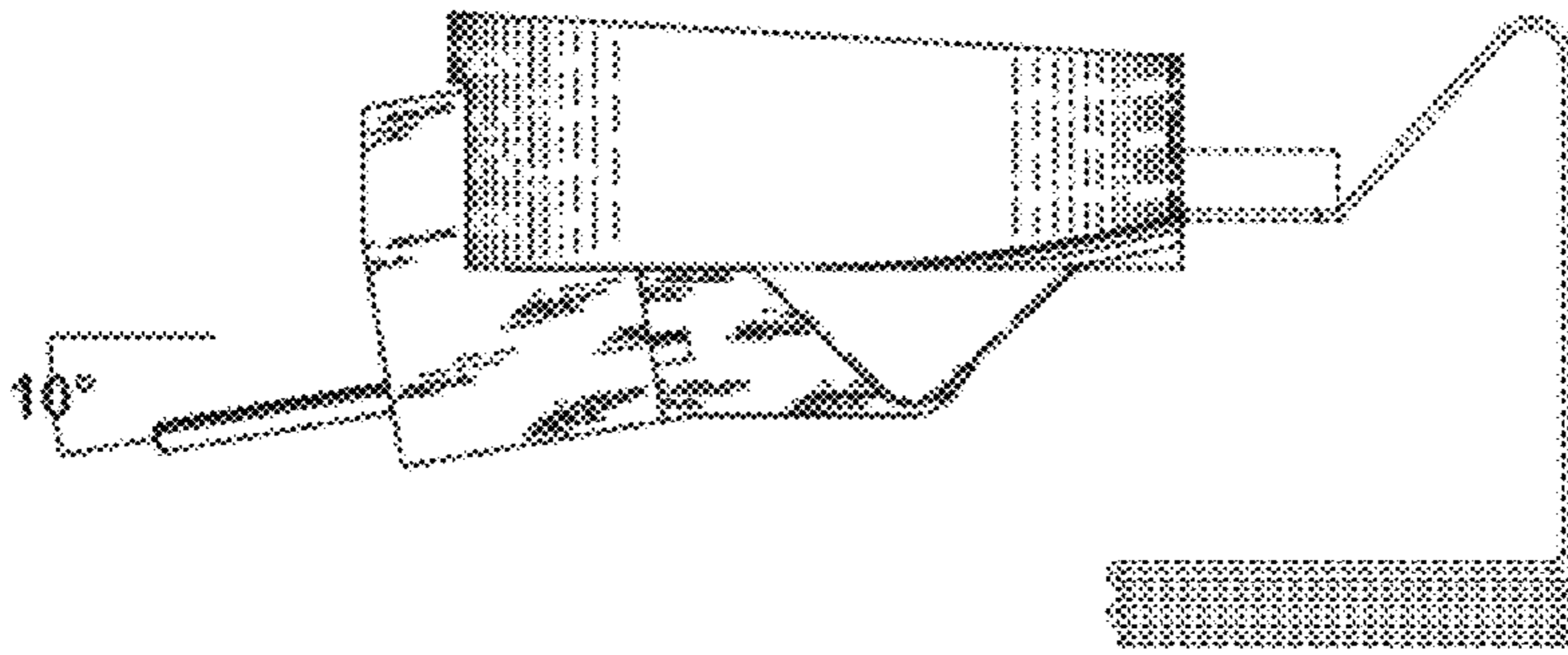


FIG. 5

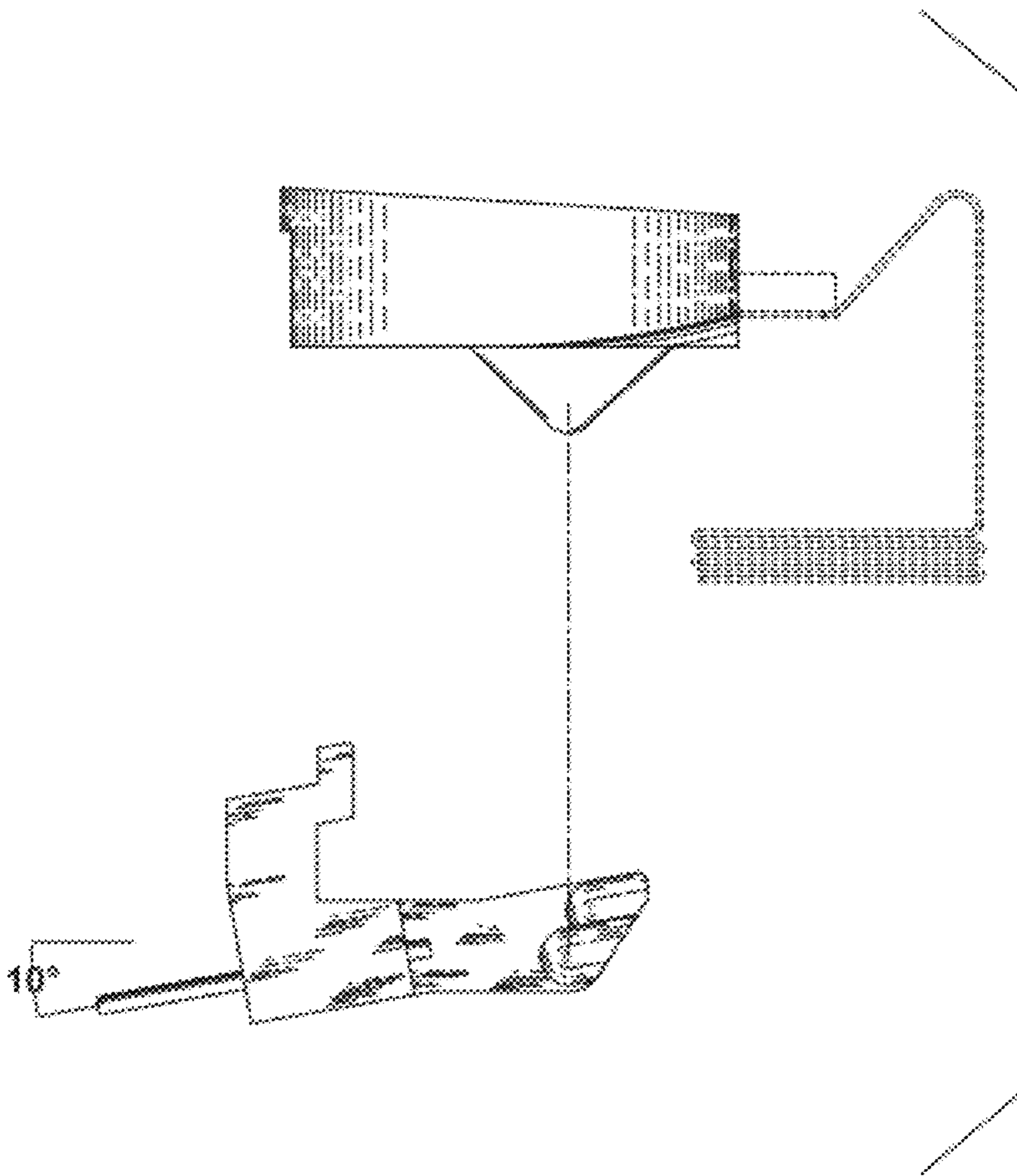


FIG. 6

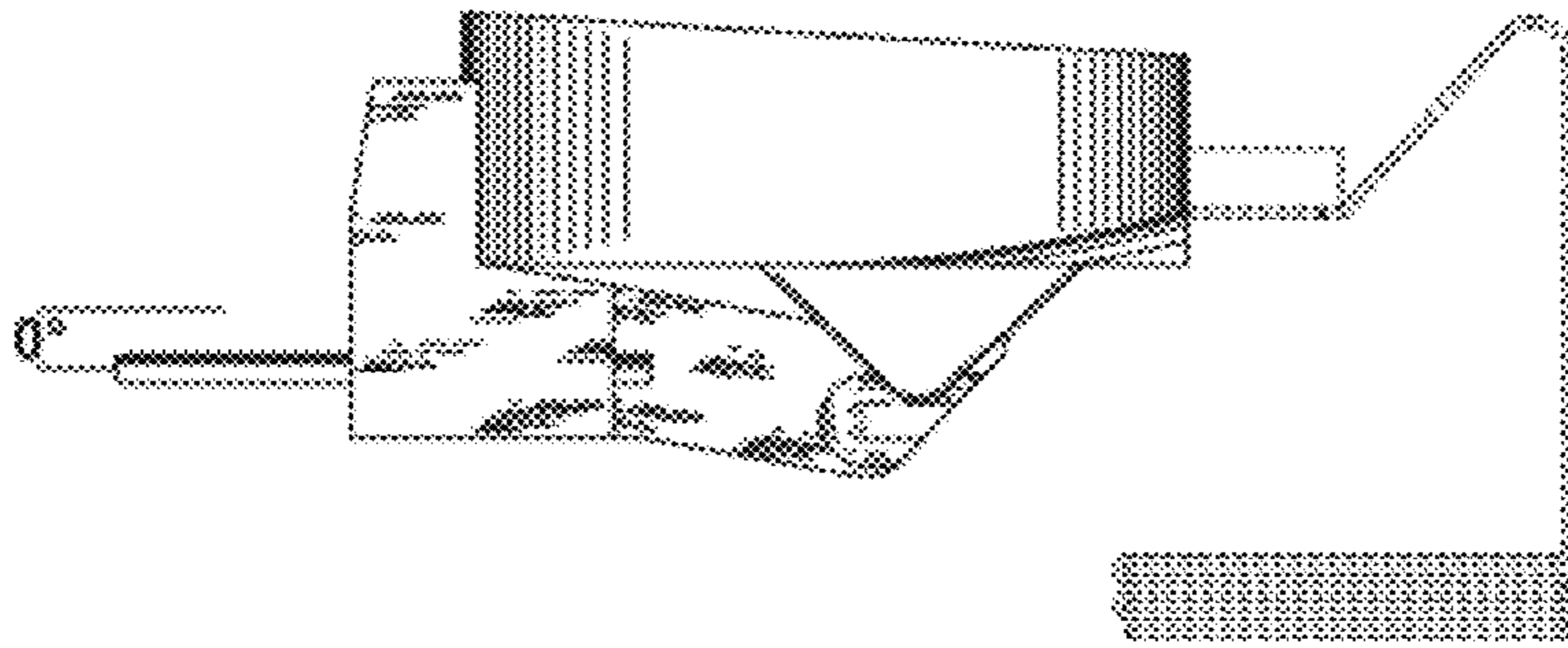


FIG. 7

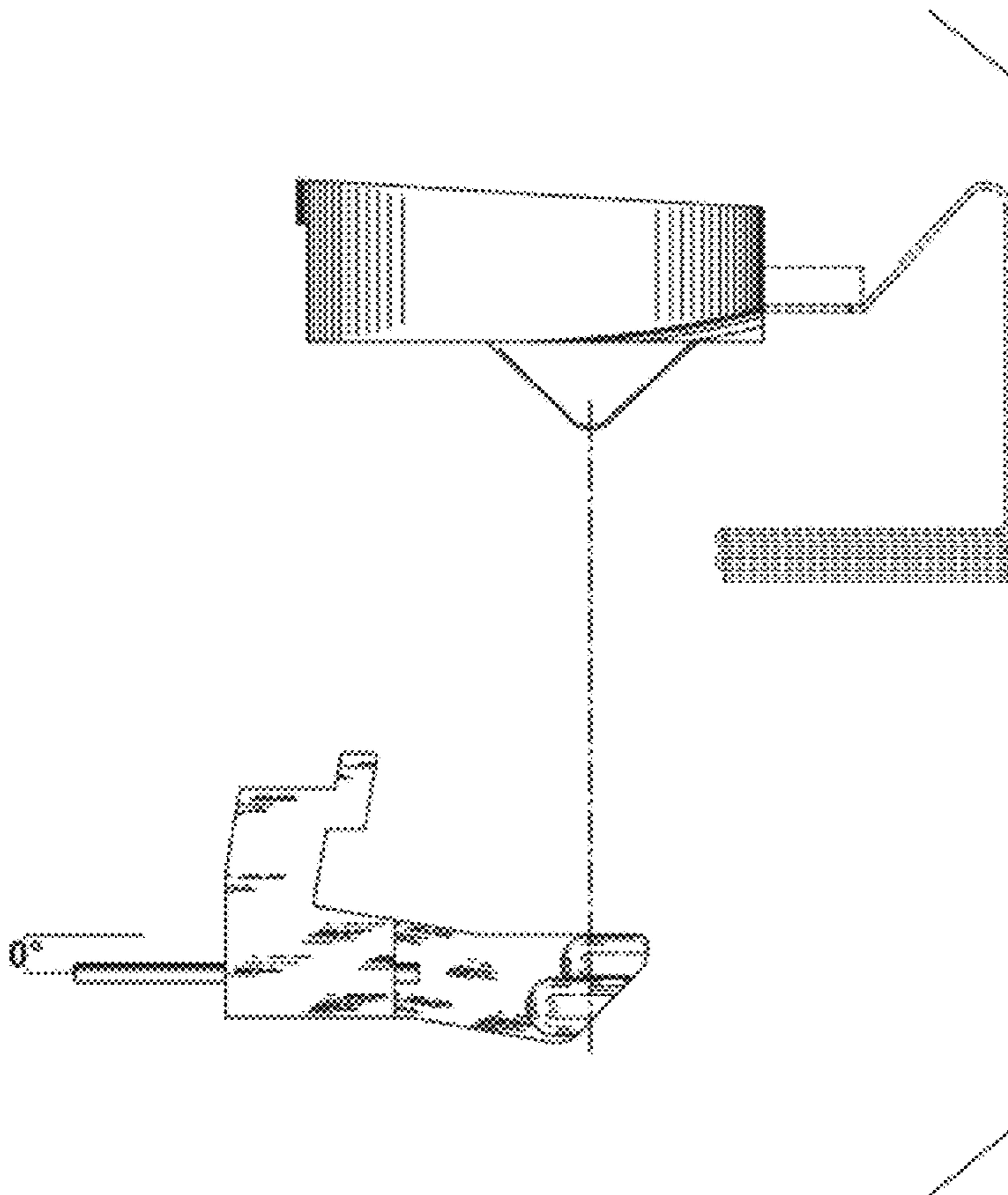


FIG. 8

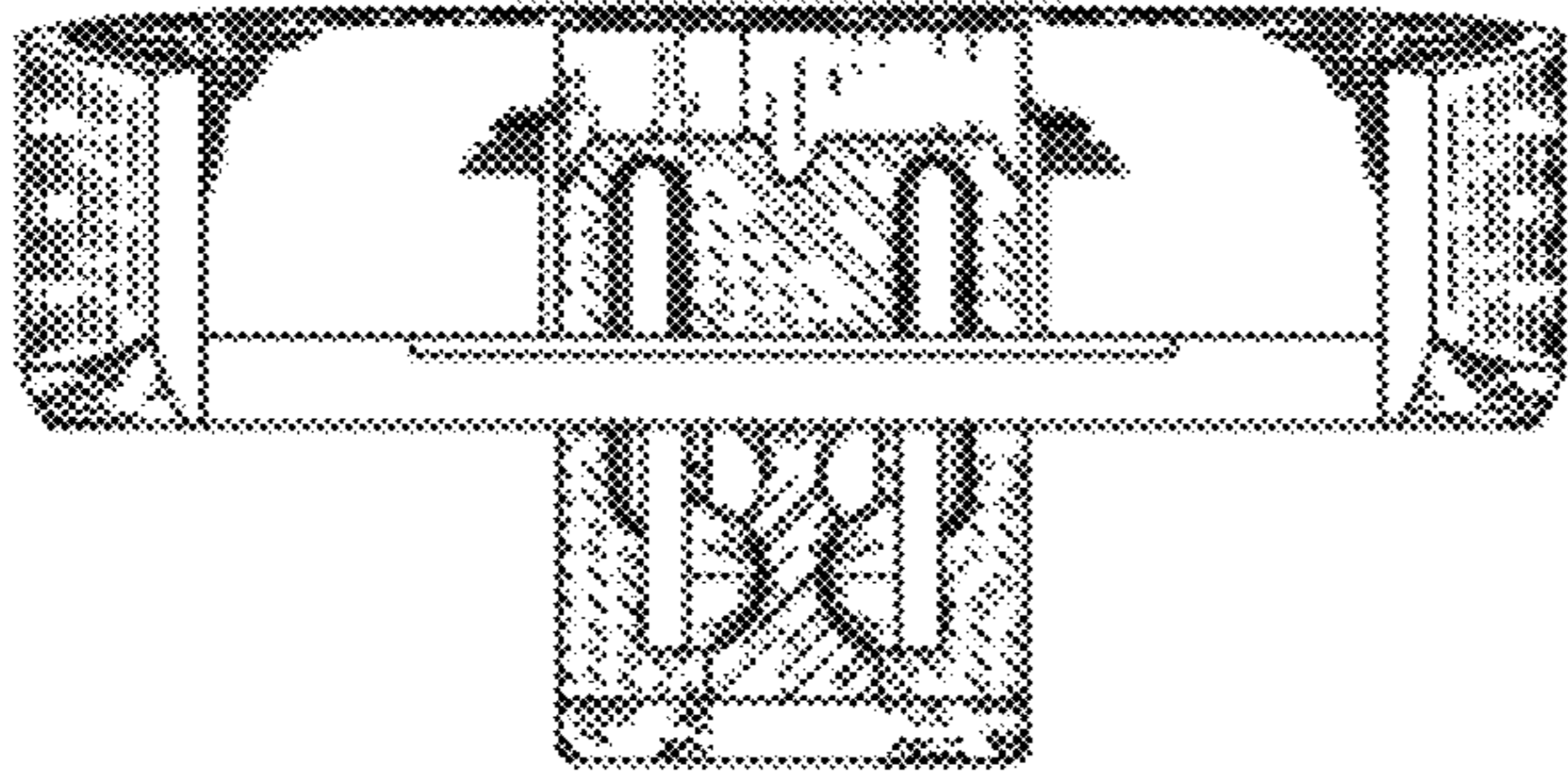


FIG. 9

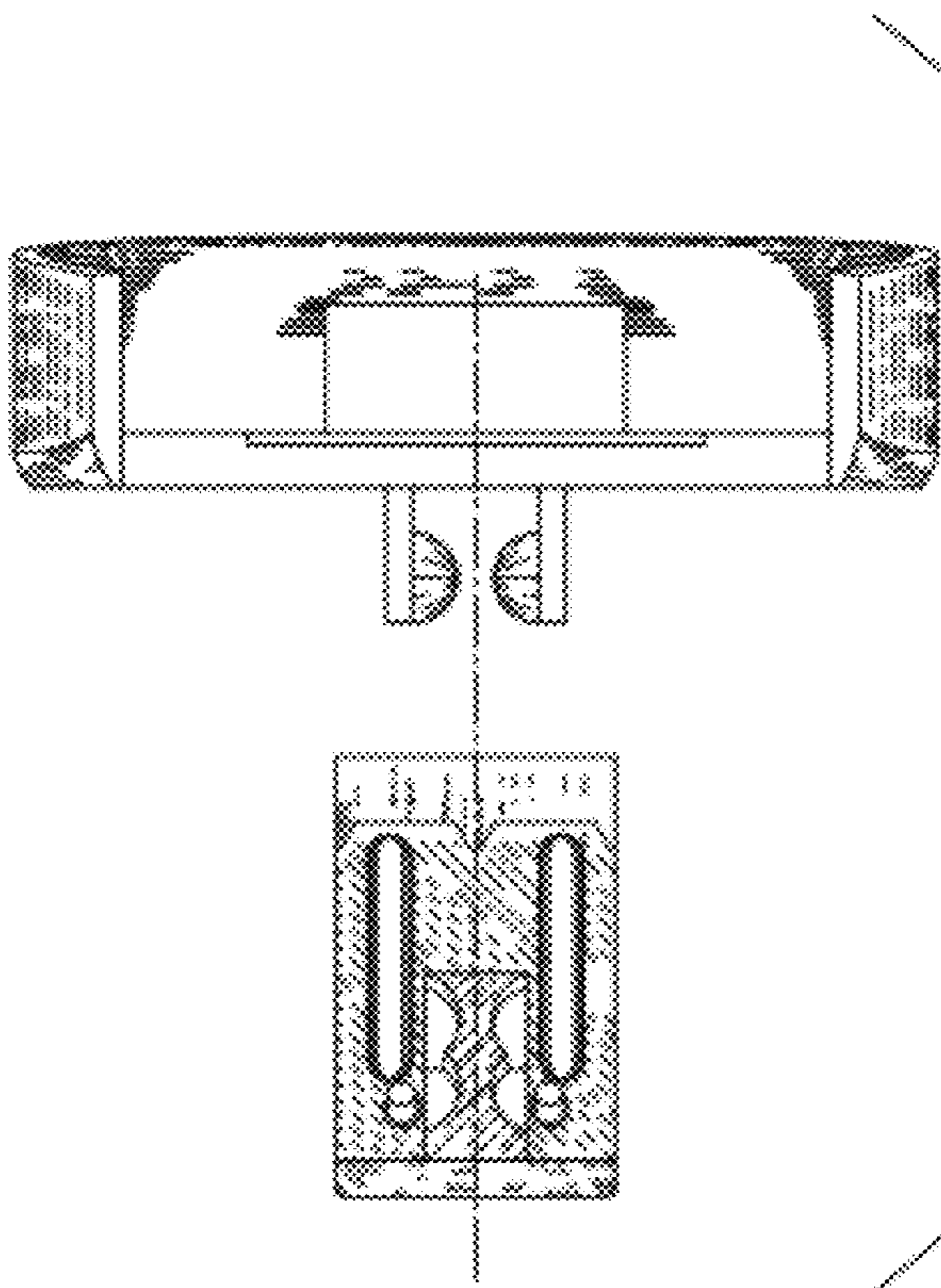


FIG. 10

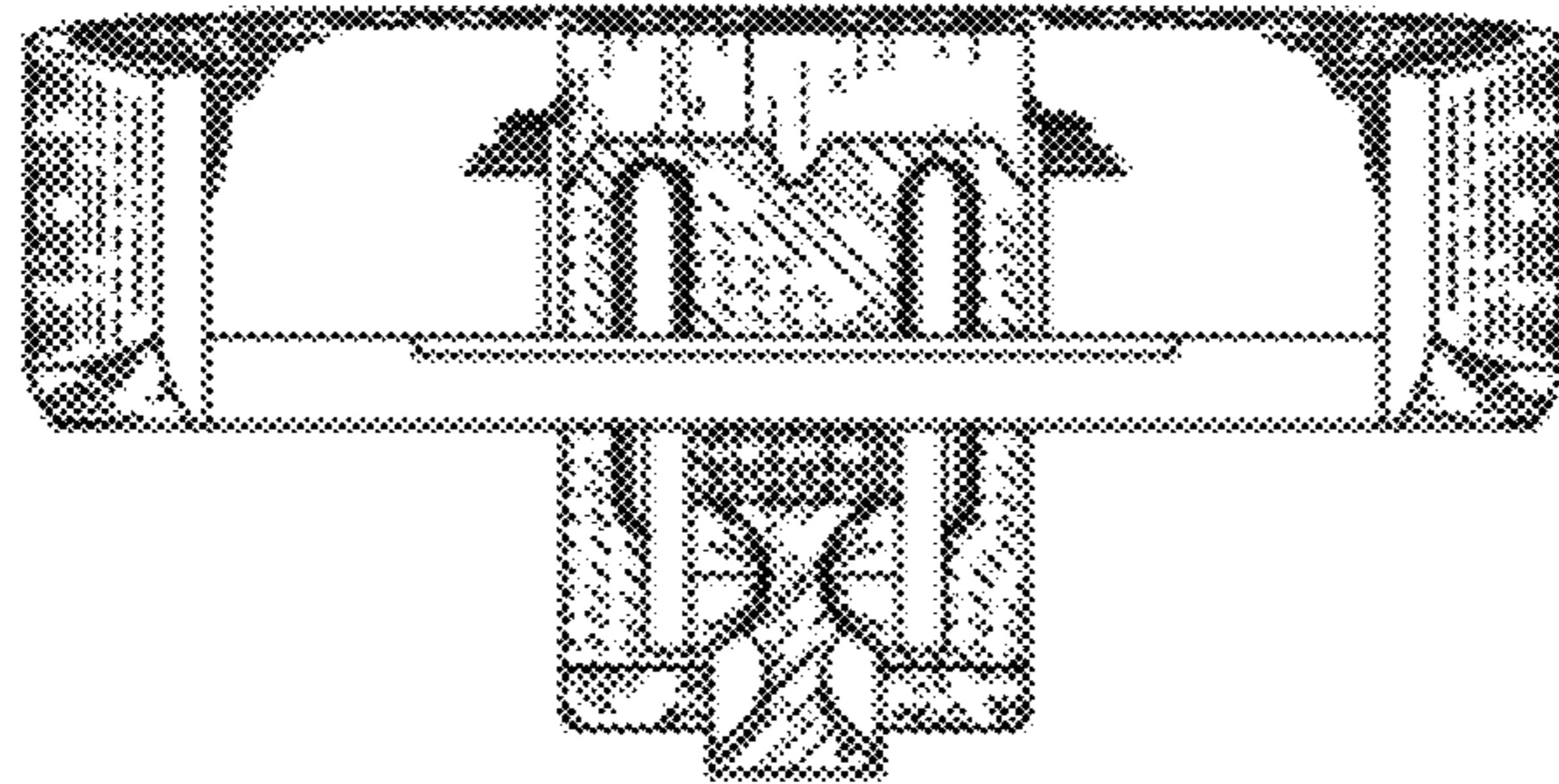
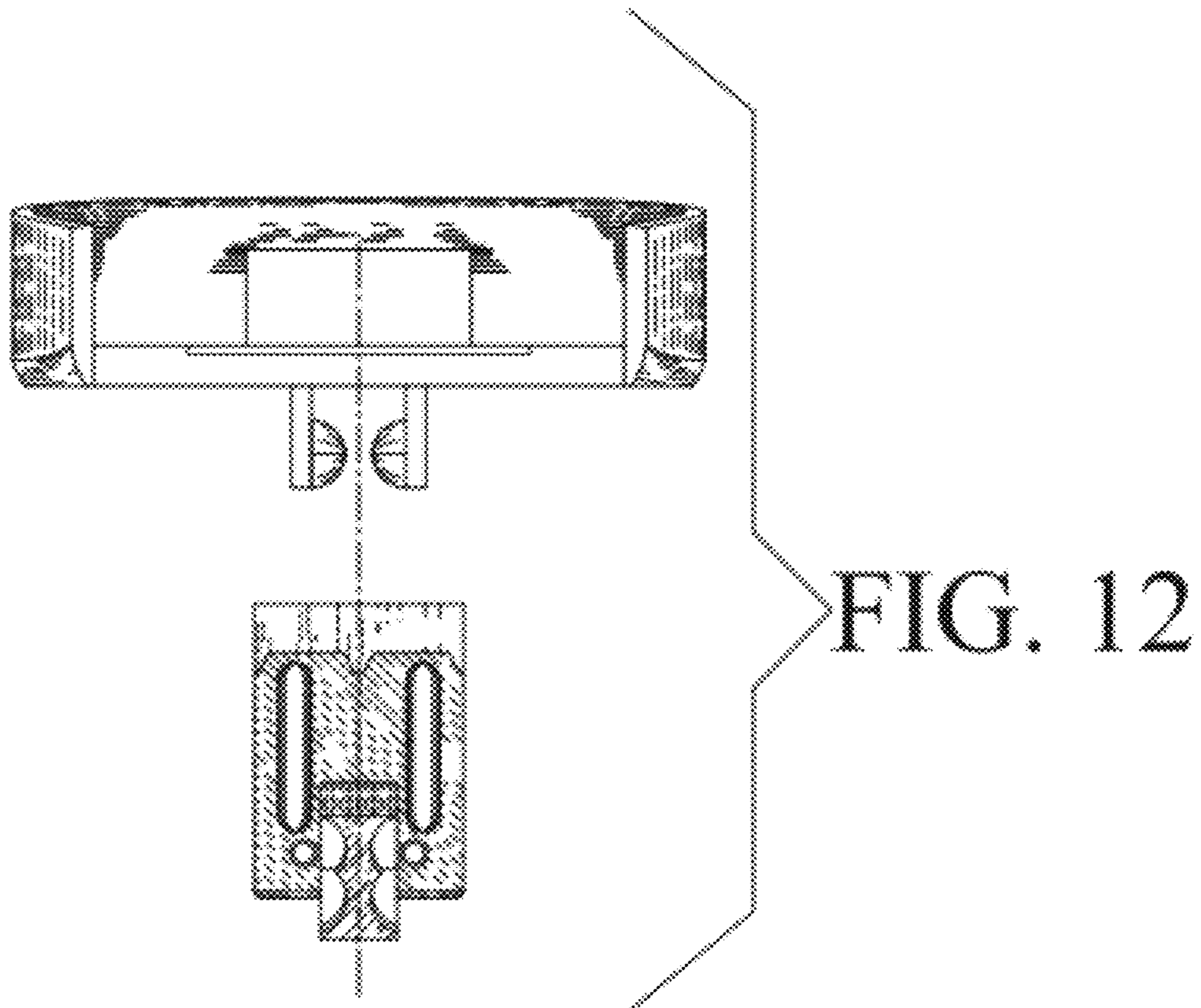


FIG. 11





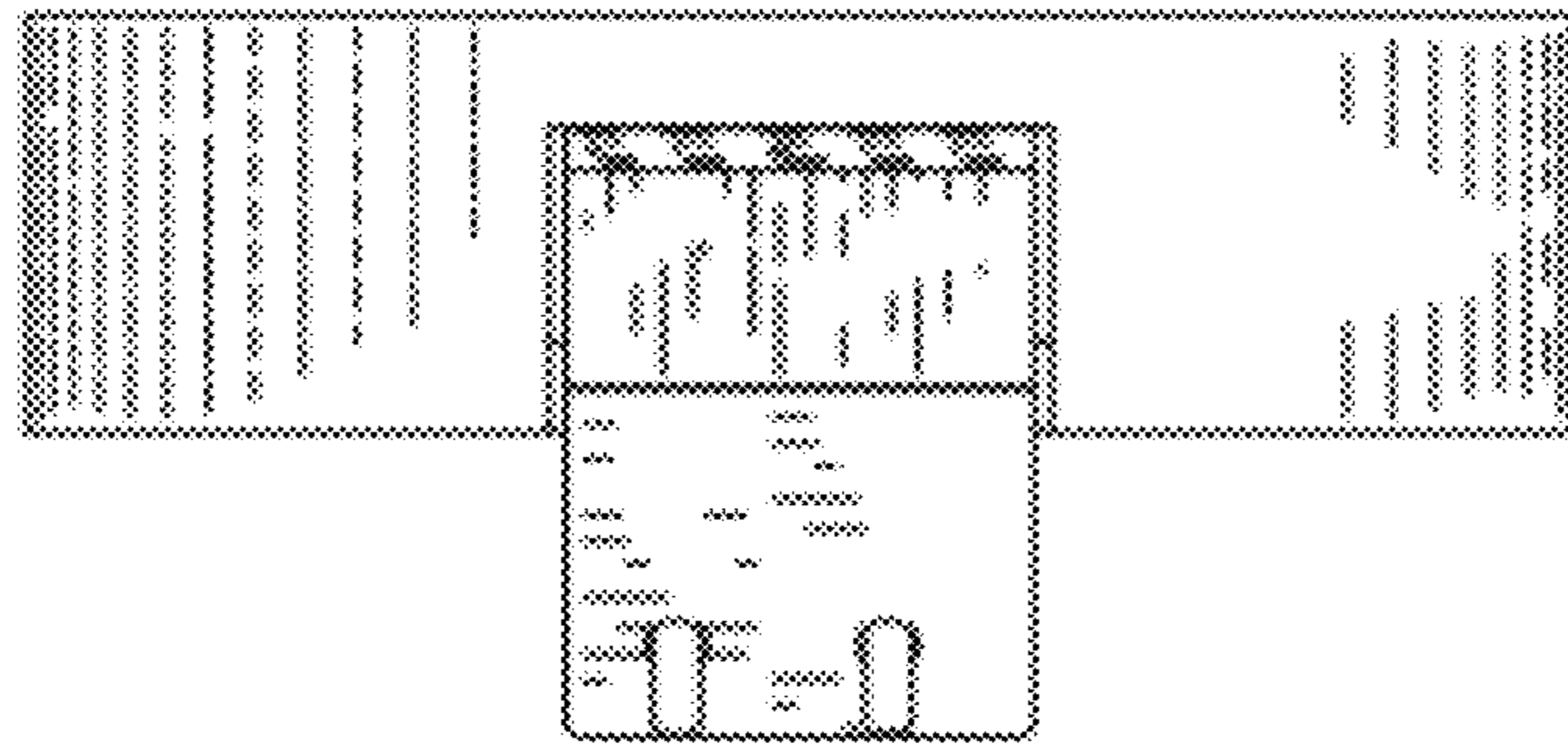


FIG. 13

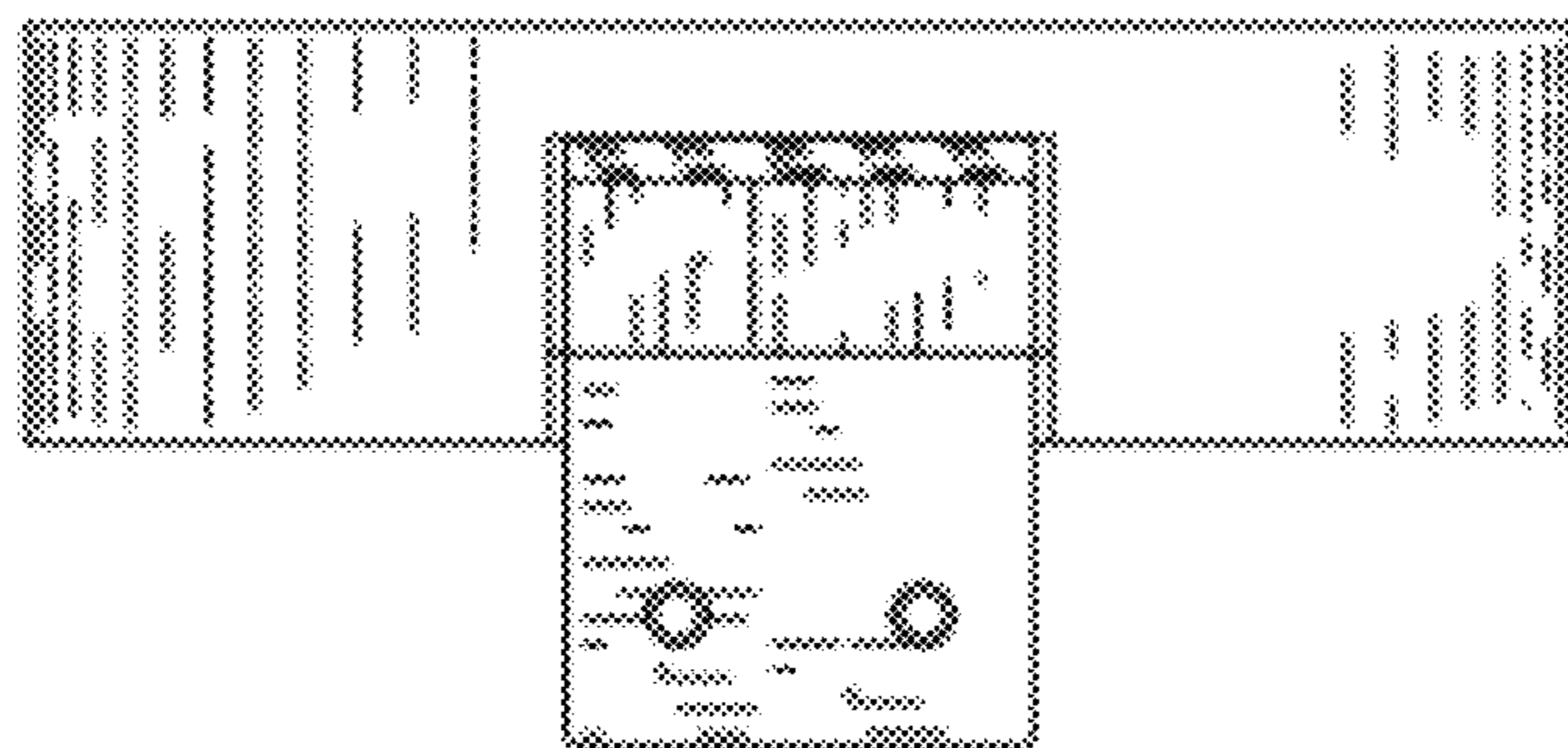


FIG. 14

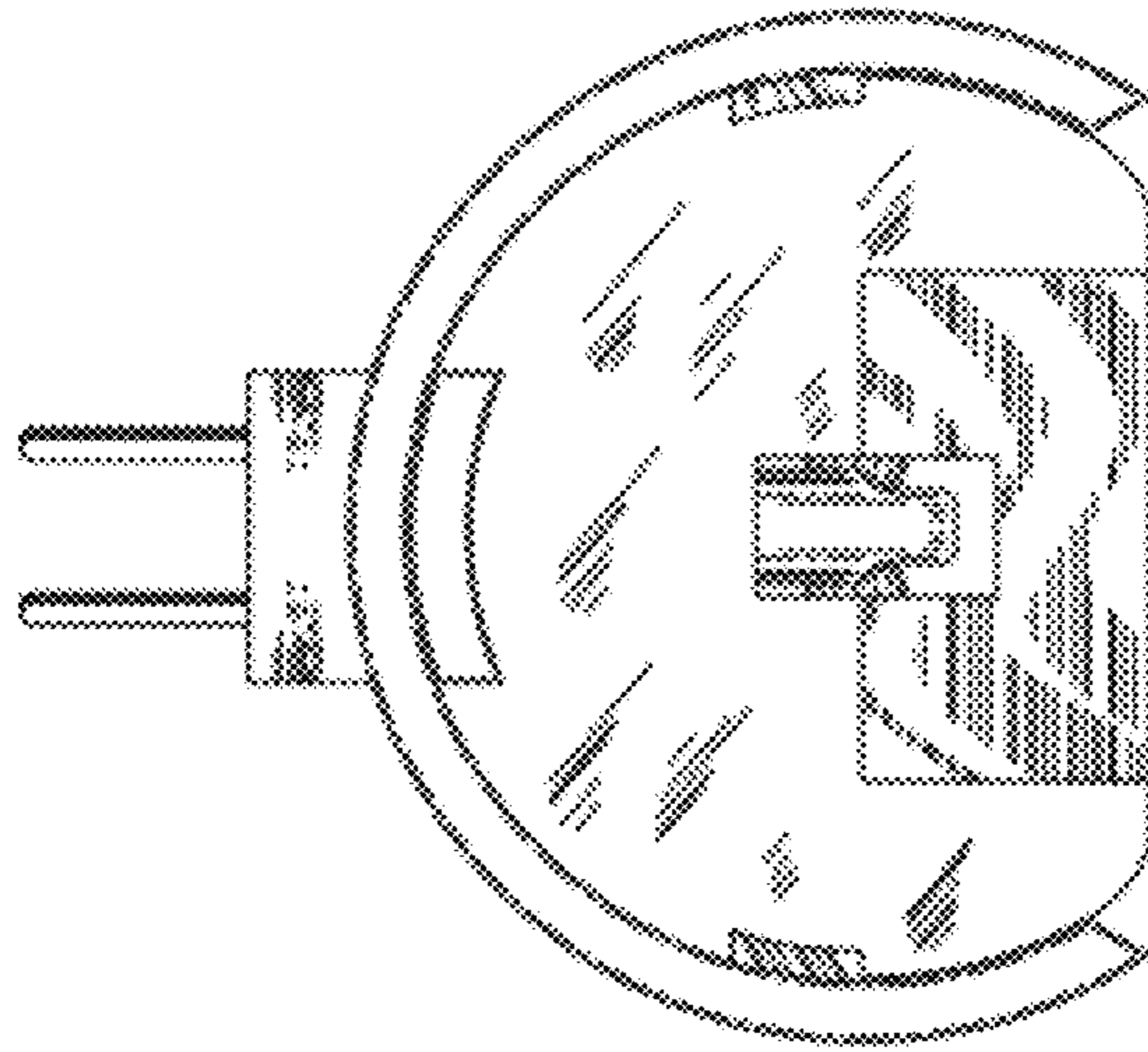
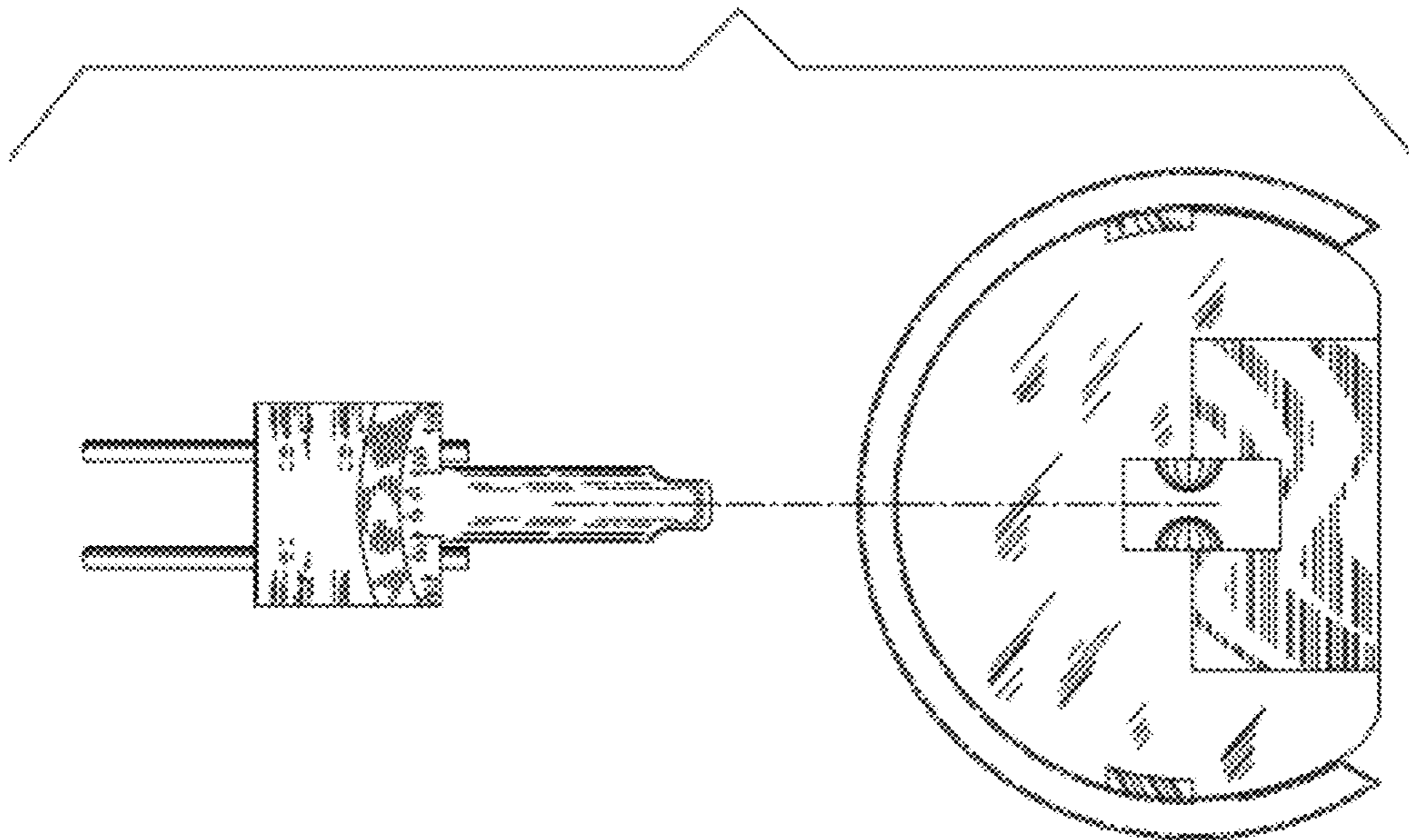


FIG. 15

FIG. 16



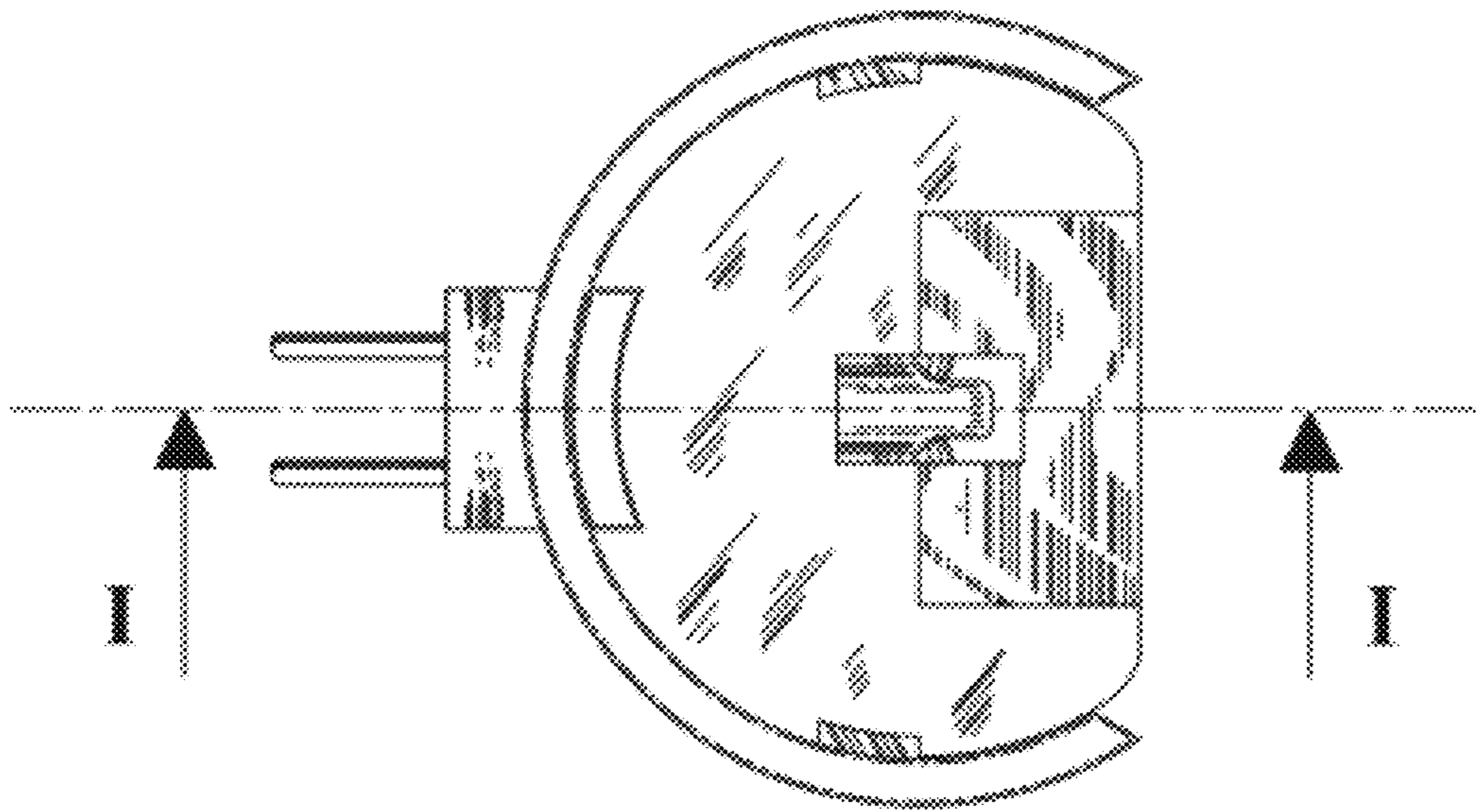


FIG. 17

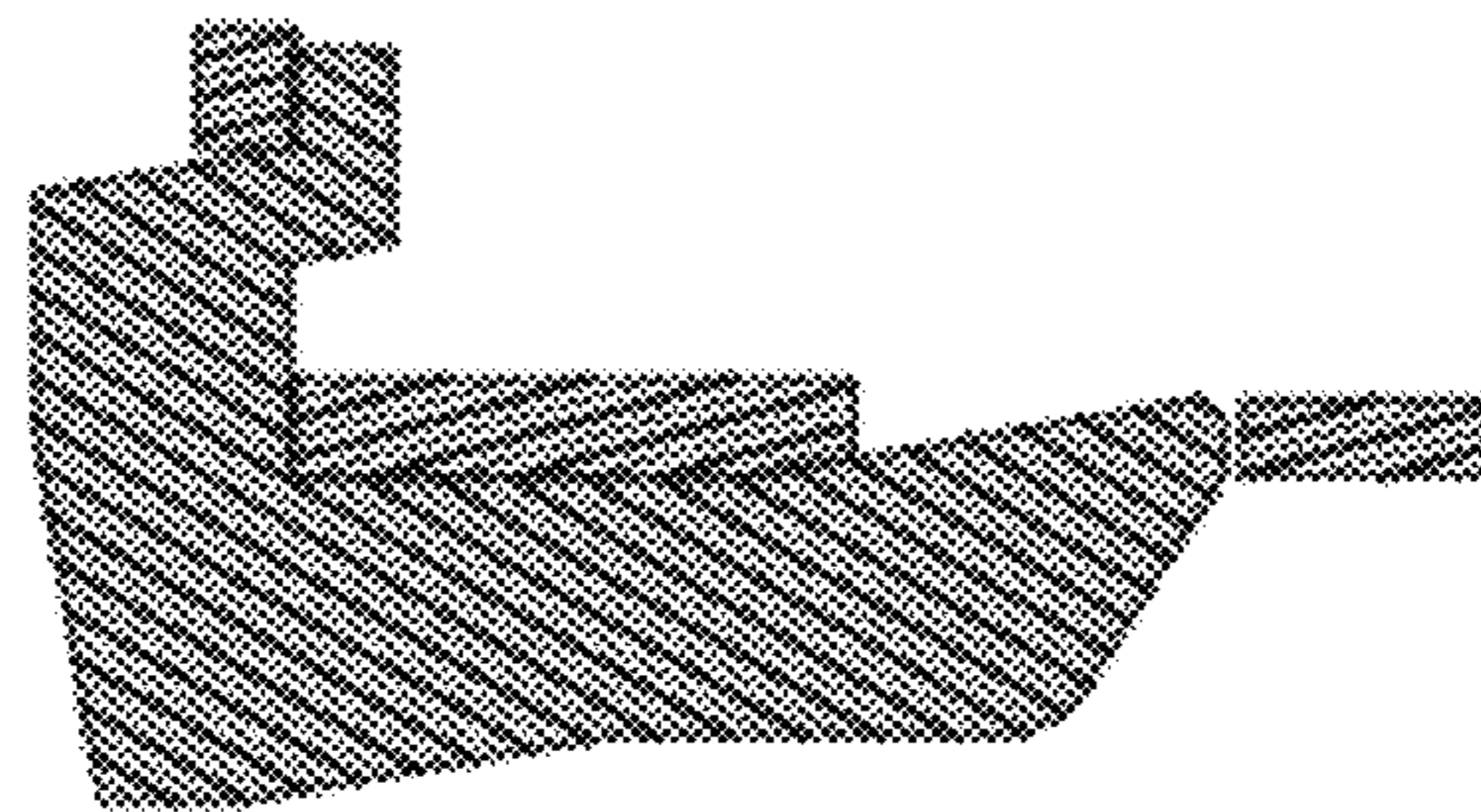


FIG. 18  
SECTION I-I