



US00D660813S

(12) **United States Design Patent**  
**Otaki et al.**

(10) **Patent No.:** **US D660,813 S**

(45) **Date of Patent:** **\*\* May 29, 2012**

(54) **LIGHT-EMITTING DIODE**

(75) Inventors: **You Otaki**, Minamitsuru-gun (JP);  
**Masahiro Watanabe**, Minamitsuru-gun (JP)

(73) Assignees: **Citizen Electronics Co., Ltd.**,  
Yamanashi (JP); **Citizen Holdings Co., Ltd.**, Tokyo (JP)

(\*\*) Term: **14 Years**

(21) Appl. No.: **29/386,311**

(22) Filed: **Feb. 28, 2011**

(30) **Foreign Application Priority Data**

Aug. 26, 2010 (JP) ..... 2010-020587

(51) **LOC (9) Cl.** ..... **13-03**

(52) **U.S. Cl.** ..... **D13/180**

(58) **Field of Classification Search** ..... D13/180;  
D26/1, 2; 257/79, 80, 81, 88, 89, 95, 98,  
257/99, 100, E33.058; 313/483, 498, 500;  
362/555, 800

See application file for complete search history.

(56) **References Cited**

**U.S. PATENT DOCUMENTS**

D595,674 S \* 7/2009 Wang et al. .... D13/180  
D596,591 S \* 7/2009 In et al. .... D13/180

D611,012 S \* 3/2010 Hsieh ..... D13/180  
D622,682 S \* 8/2010 Park et al. .... D13/180  
D632,659 S \* 2/2011 Hsieh ..... D13/180  
D640,211 S \* 6/2011 Kokubu et al. .... D13/180  
2008/0185605 A1 \* 8/2008 Wada et al. .... 257/98  
2008/0258162 A1 \* 10/2008 Koung et al. .... 257/98  
2010/0059782 A1 \* 3/2010 Fujitomo et al. .... 257/98

\* cited by examiner

*Primary Examiner* — Selina Sikder

(74) *Attorney, Agent, or Firm* — Browdy and Neimark, PLLC

(57) **CLAIM**

The ornamental design for a light-emitting diode, as shown and described here.

**DESCRIPTION**

FIG. 1 is a perspective view of the light-emitting diode in accordance with our new design, showing an upper surface with front and right side surfaces as obliquely viewed from above;

FIG. 2 is a front elevation view thereof;

FIG. 3 is a rear elevation view thereof;

FIG. 4 is a top plan view thereof;

FIG. 5 is a bottom plan view thereof;

FIG. 6 is a right side view thereof;

FIG. 7 is a left side view thereof; and,

FIG. 8 is a bottom perspective view thereof.

**1 Claim, 6 Drawing Sheets**

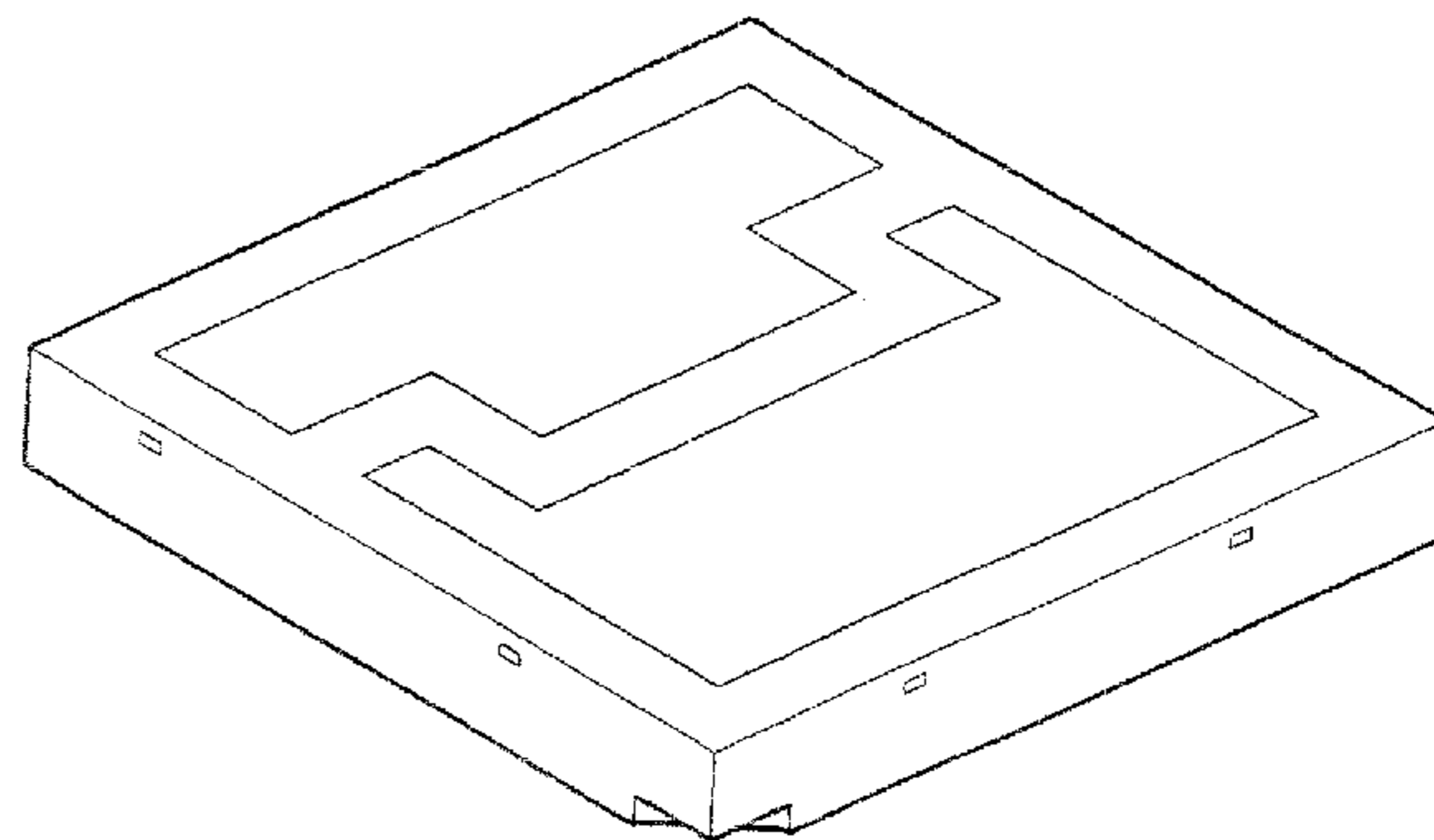
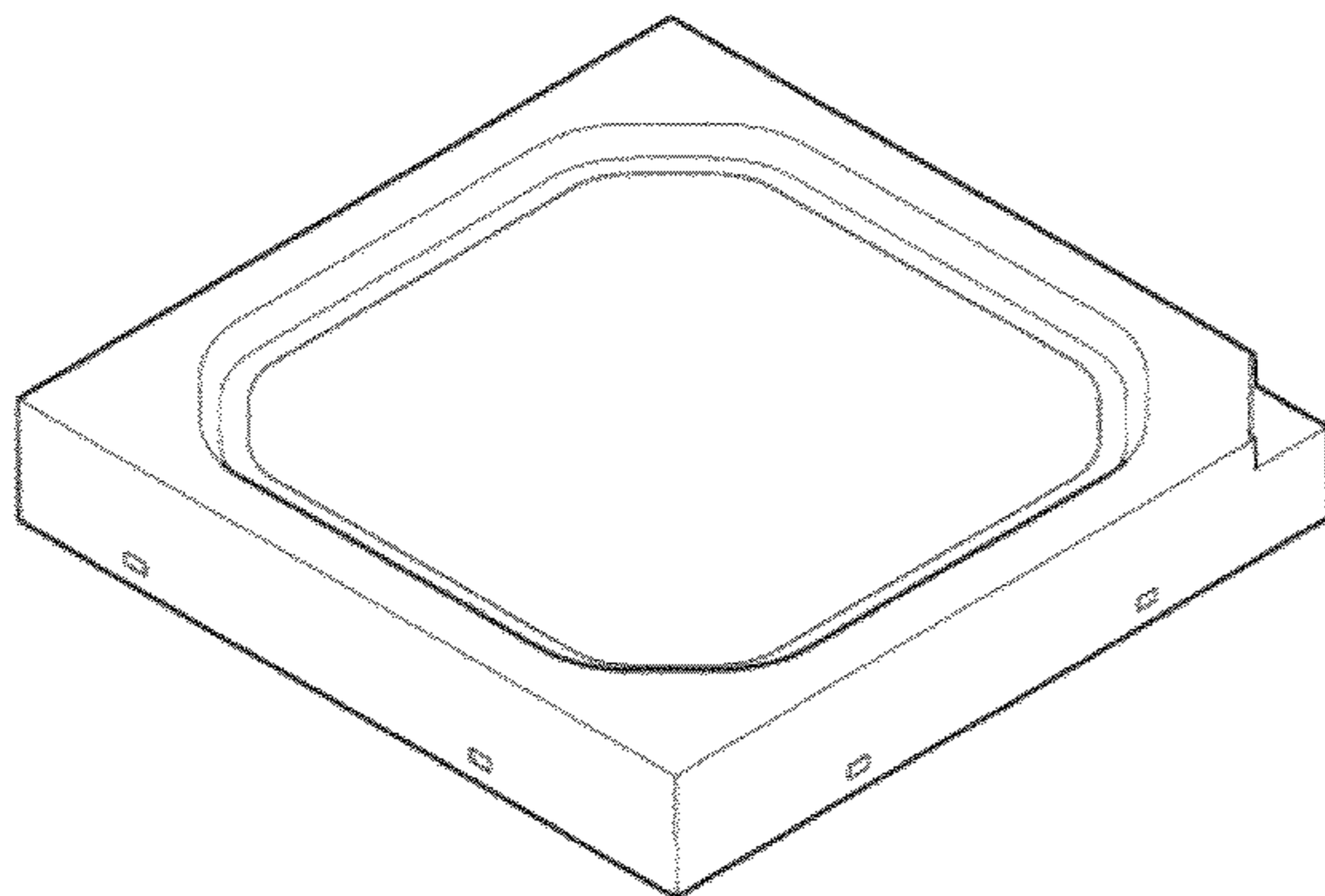


Fig. 1

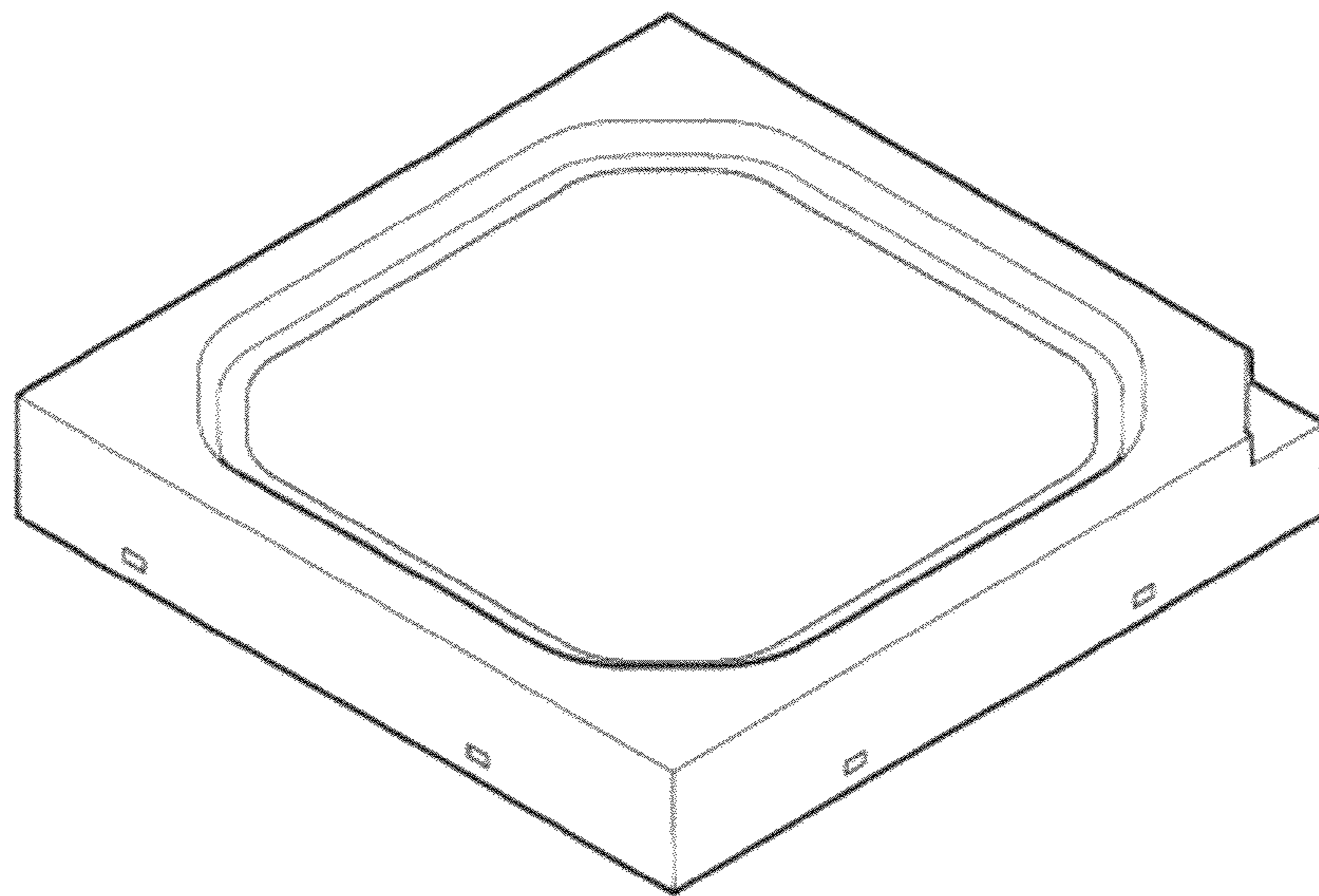


Fig. 2

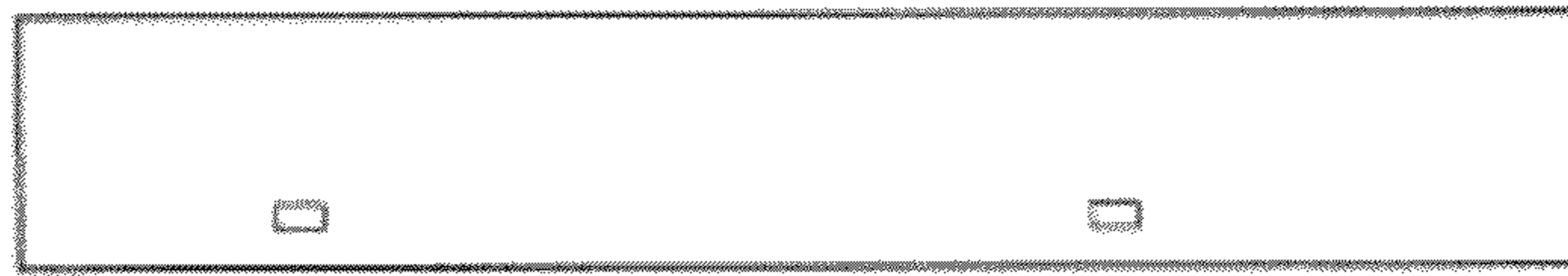


Fig. 3



Fig. 4

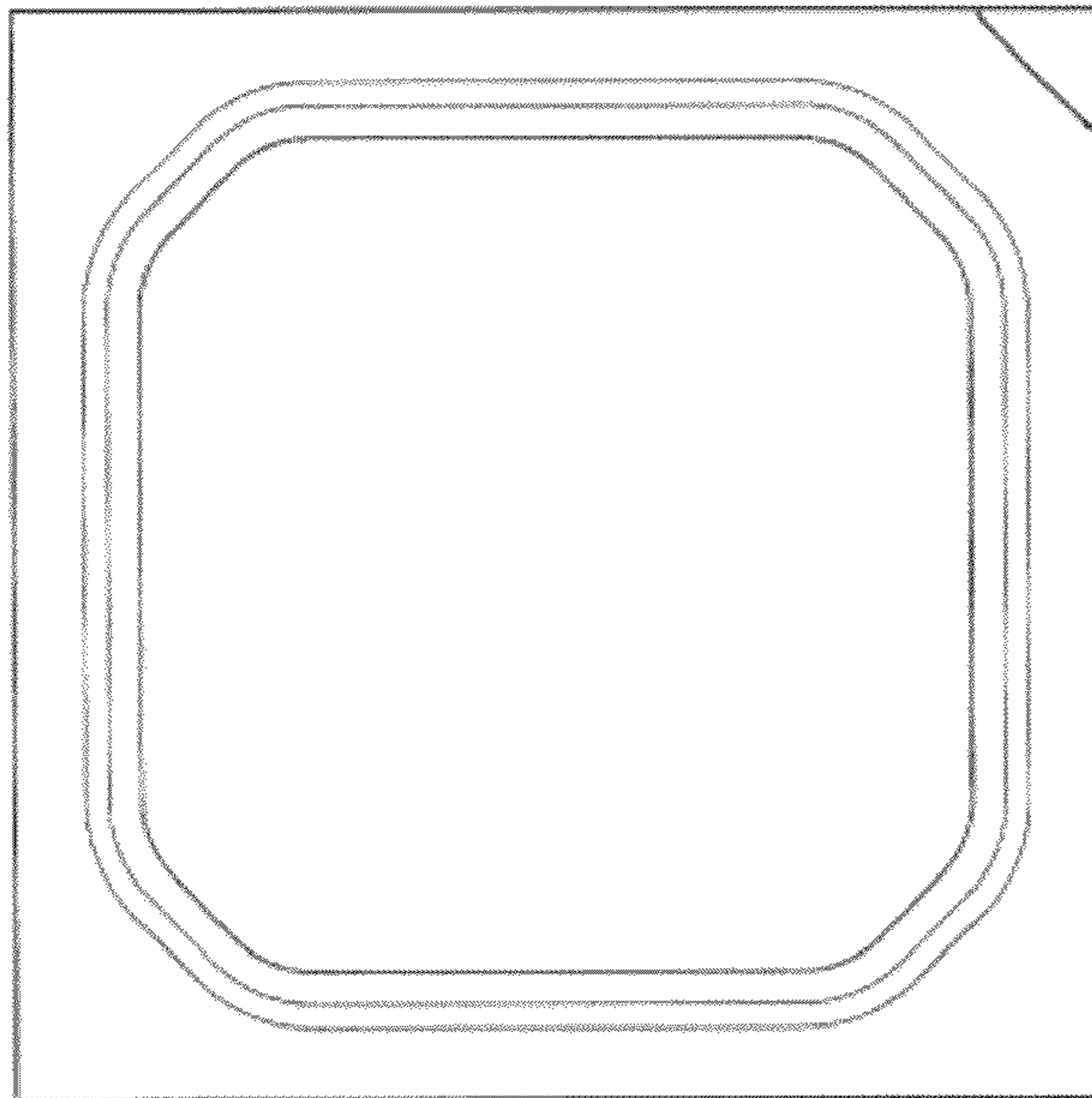


Fig. 5

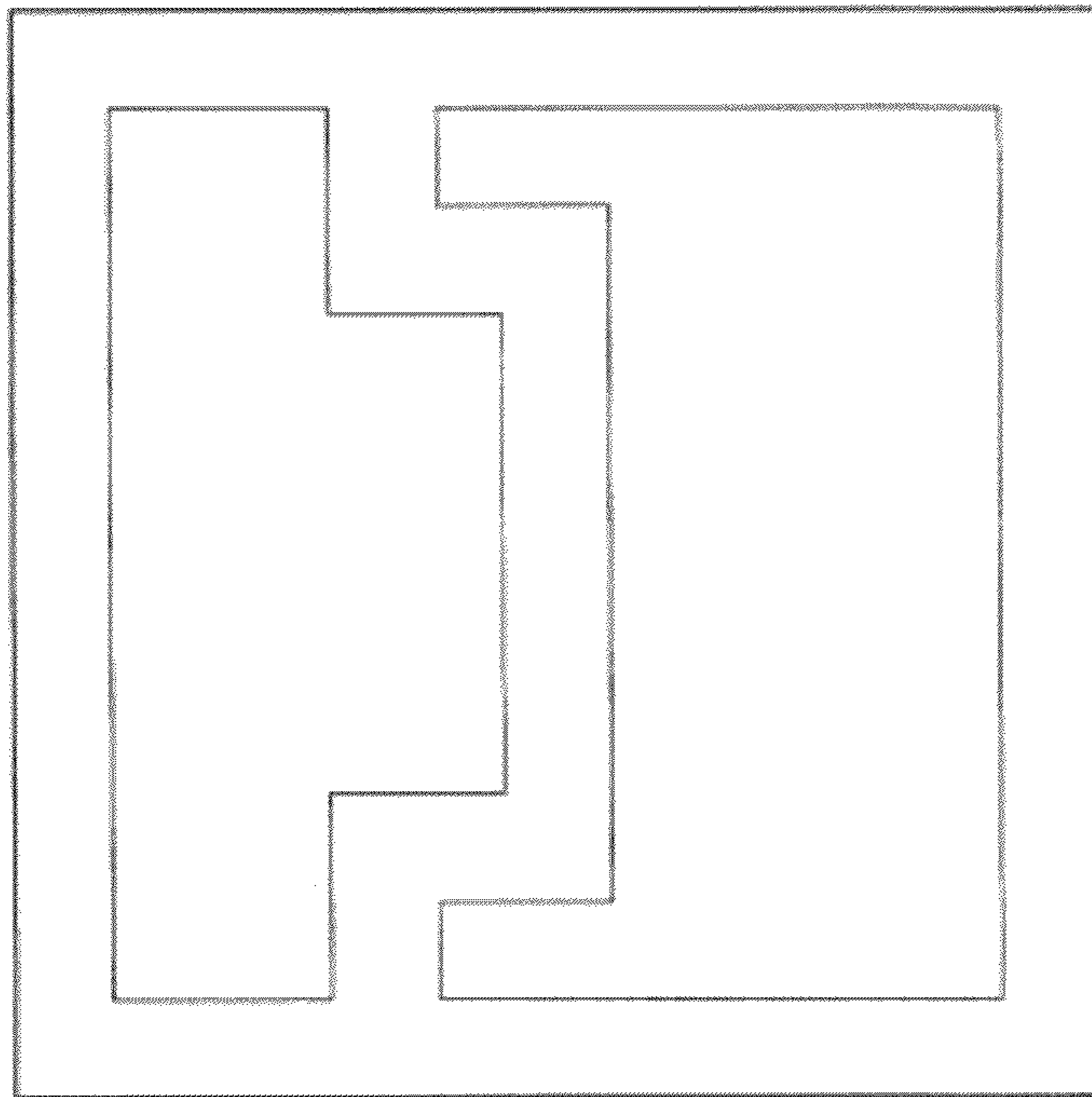


Fig. 6



Fig. 7

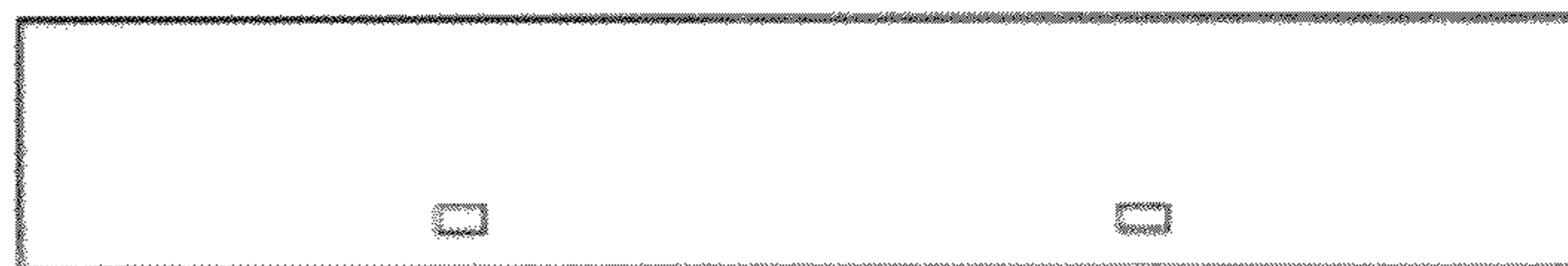


Fig. 8

