



US00D660811S

(12) **United States Design Patent**  
**Miyoshi**

(10) **Patent No.:** **US D660,811 S**  
(45) **Date of Patent:** **\*\* May 29, 2012**

(54) **LIGHT EMITTING DIODE**

(75) Inventor: **Tomonori Miyoshi**, Tokushima (JP)

(73) Assignee: **Nichia Corporation** (JP)

(\*\*) Term: **14 Years**

(21) Appl. No.: **29/362,717**

(22) Filed: **May 28, 2010**

(30) **Foreign Application Priority Data**

Nov. 30, 2009 (JP) ..... 2009-027807  
Nov. 30, 2009 (JP) ..... 2009-027808  
Nov. 30, 2009 (JP) ..... 2009-027809  
Apr. 9, 2010 (JP) ..... 2010-009013

(51) **LOC (9) Cl.** ..... **13-03**

(52) **U.S. Cl.** ..... **D13/180**

(58) **Field of Classification Search** ..... D13/180;  
D9/418; D10/46, 104.1; D14/191, 383,  
D14/384; 257/79, 80, 81, 88, 89, 95, 98,  
257/99, 100, E33.058; 313/483, 498, 500;  
362/555, 800; D3/208; 235/380; 356/70

See application file for complete search history.

(56) **References Cited**

**U.S. PATENT DOCUMENTS**

D42,949 S \* 8/1912 Perkins ..... D9/423  
D339,349 S \* 9/1993 Hayasaka et al. .... D14/191  
D352,504 S \* 11/1994 Scheid et al. .... D14/191  
D355,360 S \* 2/1995 Mund et al. .... D3/294  
D375,743 S \* 11/1996 Nishii et al. .... D14/191  
D387,982 S \* 12/1997 Kaplan ..... D9/423  
5,815,252 A \* 9/1998 Price-Francis ..... 356/71  
6,705,530 B2 \* 3/2004 Kiekhaefer ..... 235/487  
7,268,697 B2 \* 9/2007 Hall et al. .... 340/854.8  
D566,665 S \* 4/2008 Liao et al. .... D13/180  
D575,245 S \* 8/2008 Yen ..... D13/180  
D591,248 S \* 4/2009 Imai et al. .... D13/180  
D622,955 S \* 9/2010 Mudrick et al. .... D3/208  
D625,694 S \* 10/2010 Morikawa et al. .... D13/180  
2007/0069010 A1 \* 3/2007 Mestres et al. .... 235/380

**FOREIGN PATENT DOCUMENTS**

JP D1339025 9/2008  
JP D1339026 9/2008  
JP D1339027 9/2008  
JP D1339028 9/2008  
JP D1383248 3/2010  
JP D1383249 3/2010

**OTHER PUBLICATIONS**

Photocopy of RSA SecurID Token Calculator, Oct. 22, 2008: [http://en.wikipedia.org/wiki/File:RSA\\_SecurID\\_Token\\_Old.jpg](http://en.wikipedia.org/wiki/File:RSA_SecurID_Token_Old.jpg)\*

\* cited by examiner

*Primary Examiner* — Selina Sikder

(74) *Attorney, Agent, or Firm* — SAIDMAN DesignLaw Group

(57) **CLAIM**

The ornamental design for a light emitting diode, as shown and described.

**DESCRIPTION**

FIG. 1 is a front, bottom, right side perspective view of a light emitting diode showing my new design; FIG. 2 is a front elevational view thereof; FIG. 3 is a rear elevational view thereof; FIG. 4 is a top plan view thereof; FIG. 5 is a bottom plan view thereof; and, FIG. 6 is a left side elevational view thereof, the right side view being a mirror image thereof. The figures illustrate two unclaimed L-shaped electrodes. The electrodes are made by plating onto the substrate and are thus very thin. As a result, they do not appear in the top, bottom, left side and right side views. The broken lines are for the purpose of illustrating portions of the light emitting diode and form no part of the claimed design.

**1 Claim, 5 Drawing Sheets**

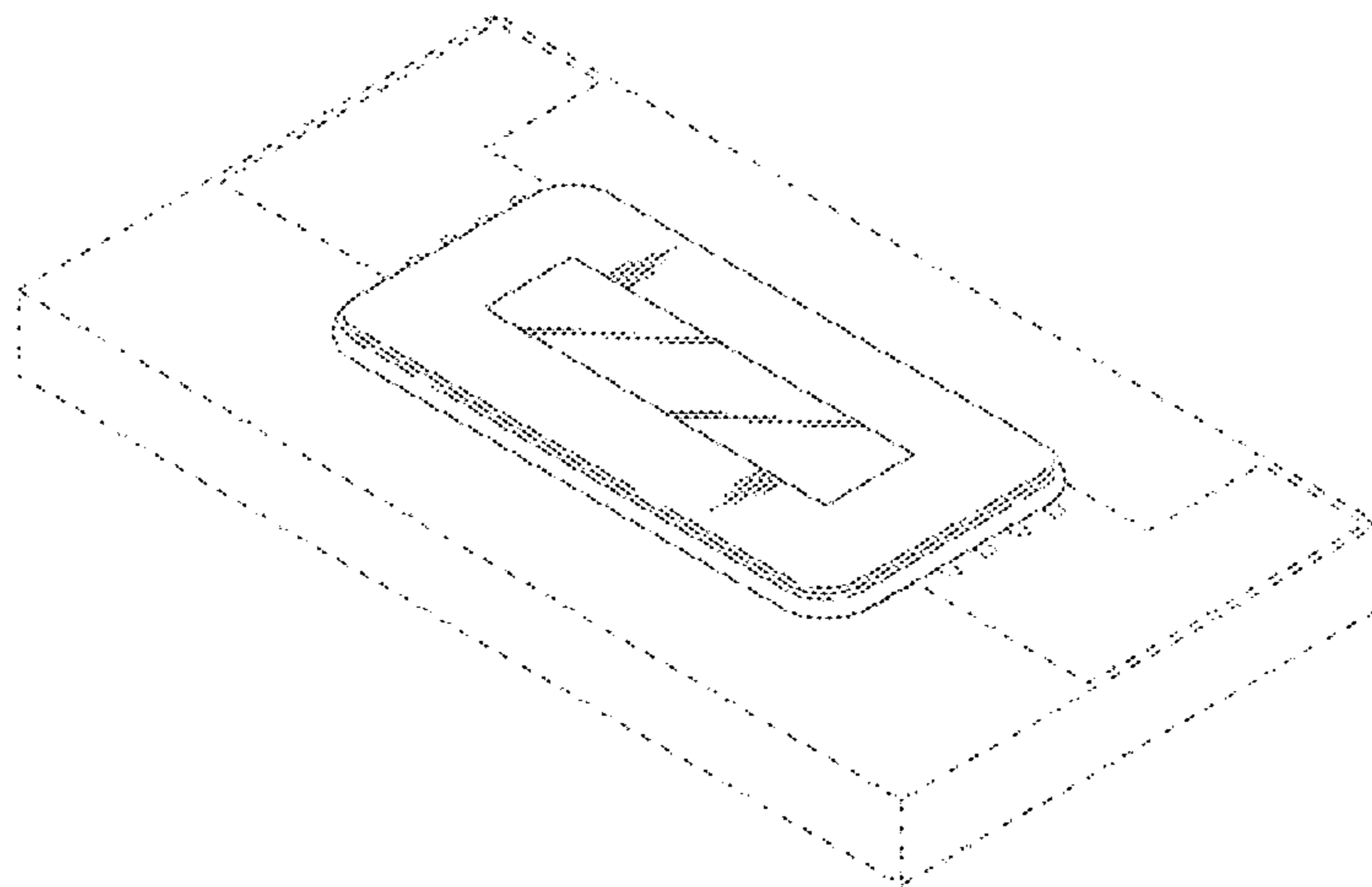


FIG.1

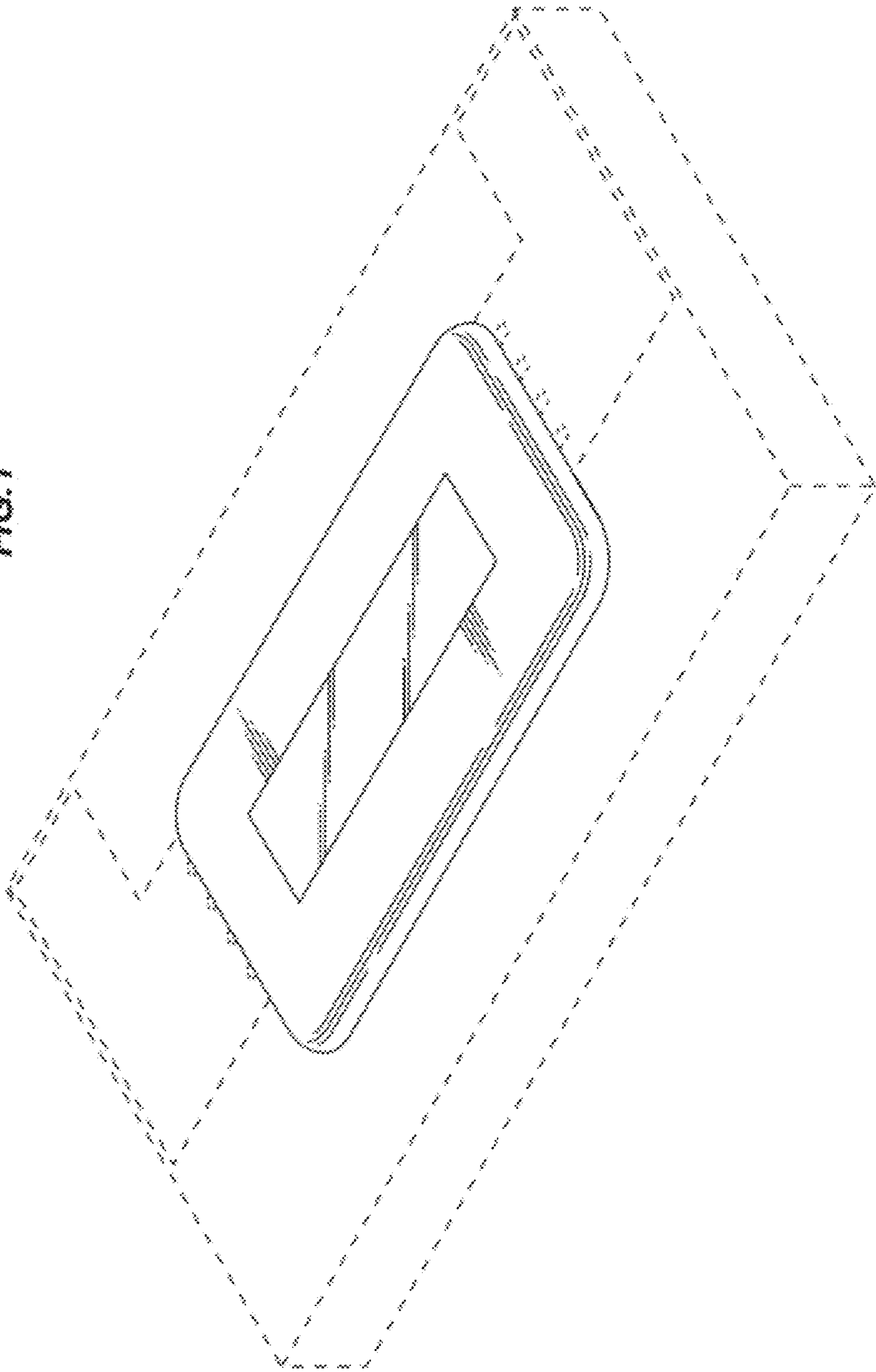


FIG. 2

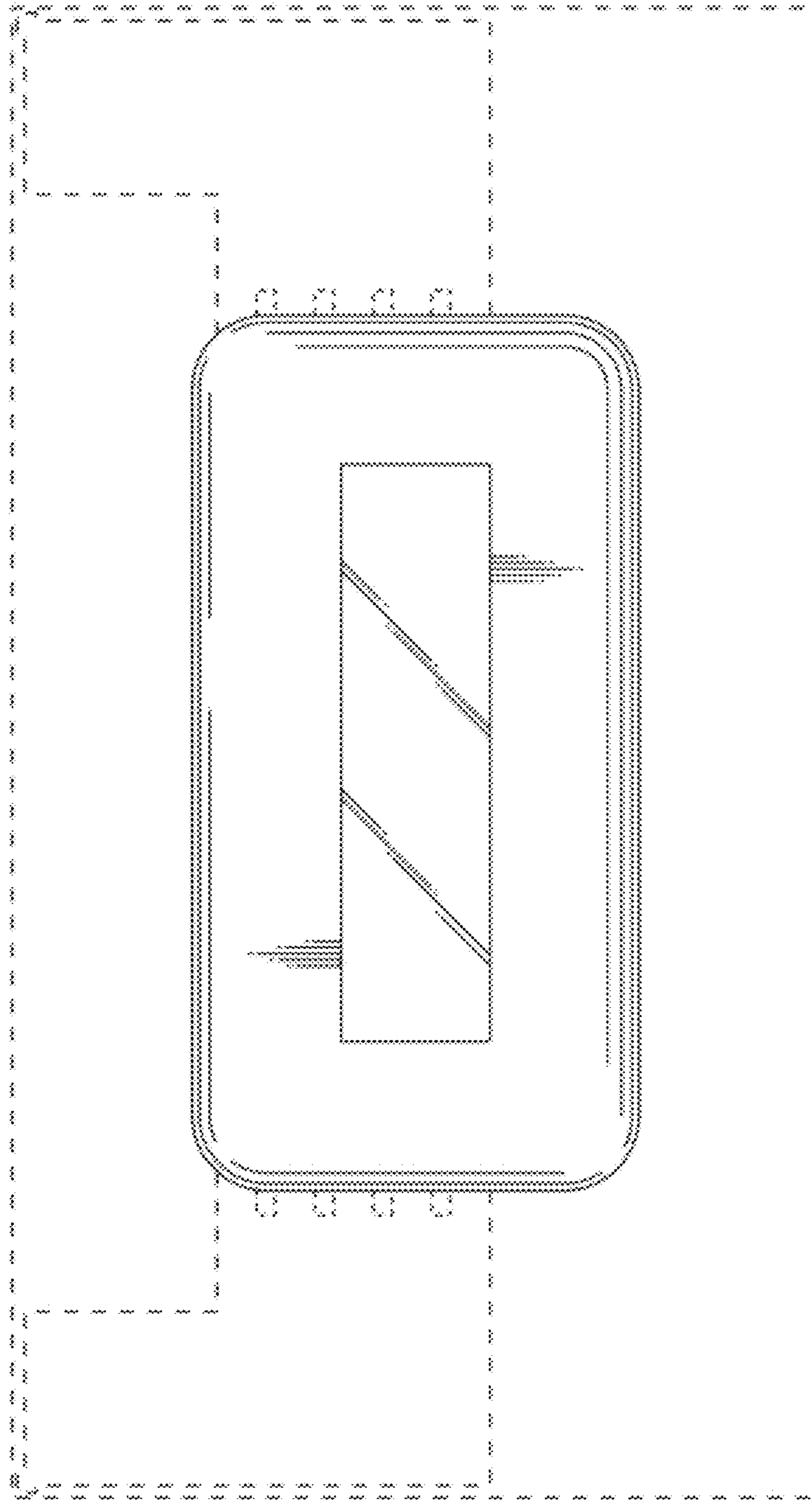


FIG. 3

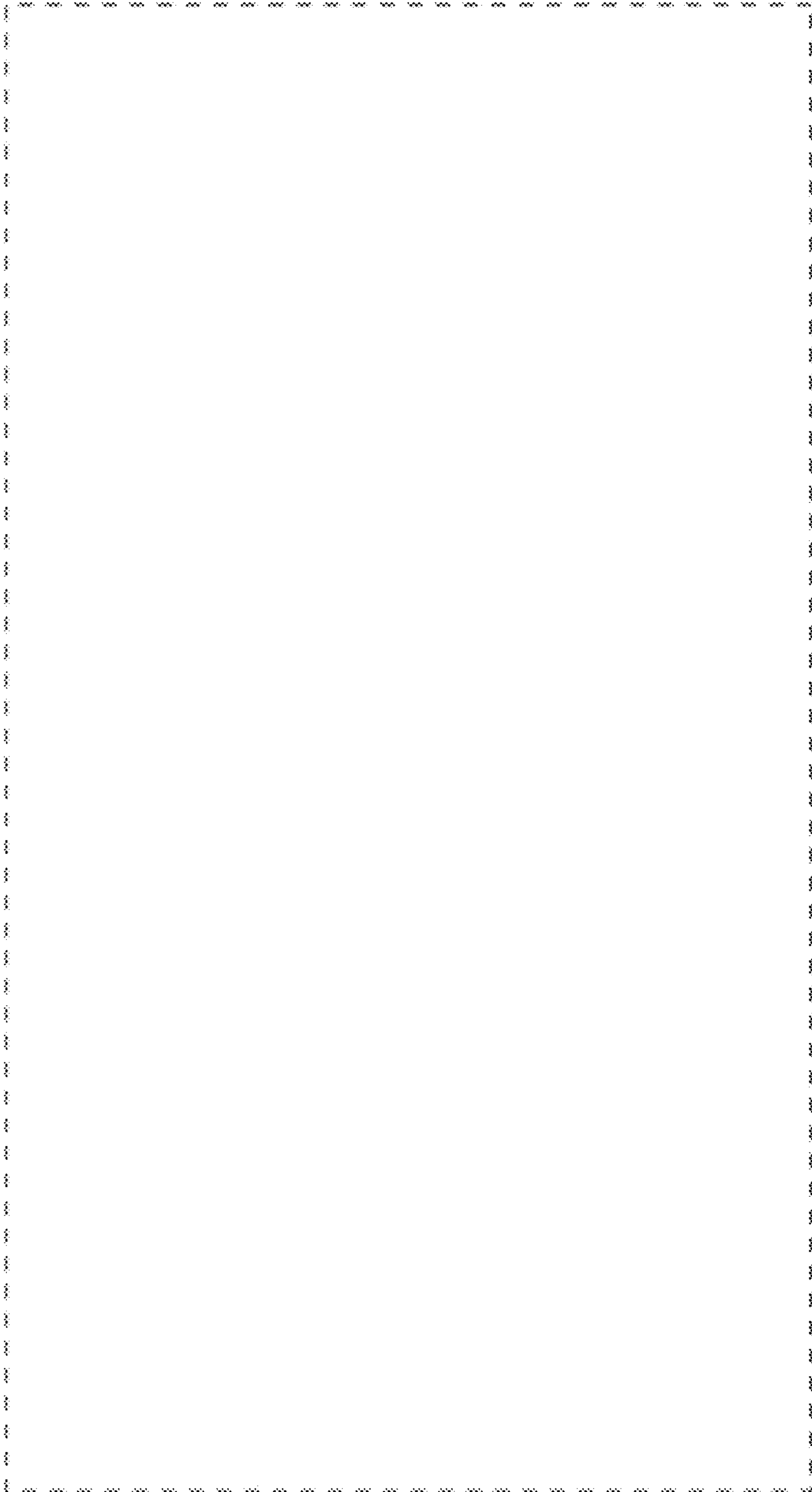


FIG.4

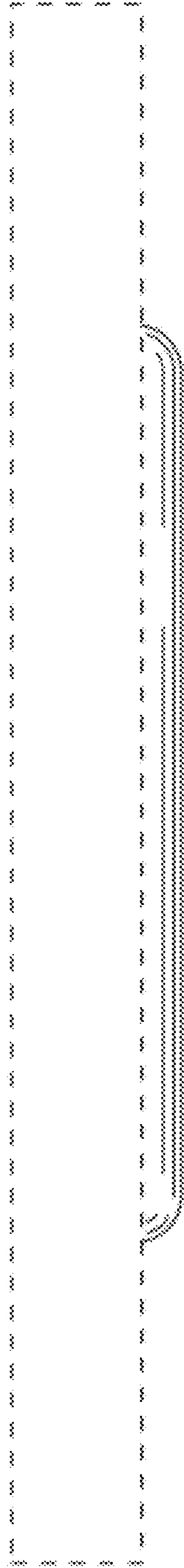


FIG.5

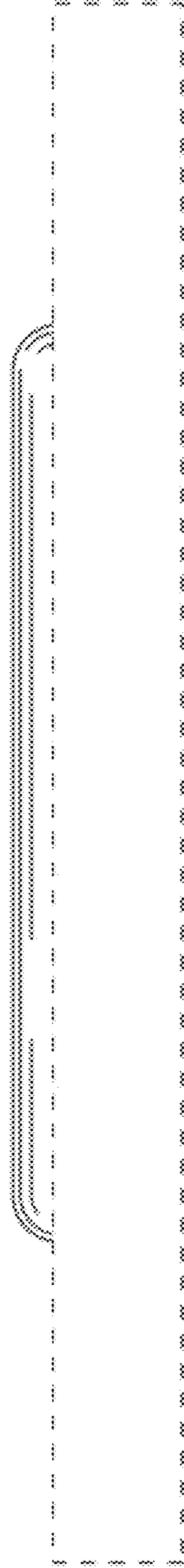


FIG. 6

