



US00D660809S

(12) **United States Design Patent**  
**Kern Koskela et al.**

(10) **Patent No.:** **US D660,809 S**  
(45) **Date of Patent:** **\*\* May 29, 2012**

(54) **REMOTE CONTROL UNIT FOR A COMBUSTION APPLIANCE**  
(75) Inventors: **Bonnie Kern Koskela**, Birmingham, MI (US); **Richard H. Bargert**, Milford, MI (US); **Daniel J. Perz**, Windsor, CA (US)  
(73) Assignee: **Maxitrol Company**, Southfield, MI (US)

(\*\*) Term: **14 Years**

(21) Appl. No.: **29/386,292**

(22) Filed: **Feb. 28, 2011**

(51) **LOC (9) Cl.** ..... **14-03**

(52) **U.S. Cl.** ..... **D13/168**

(58) **Field of Classification Search** ..... D13/168;  
D10/104.1, 106.1; D14/155, 341, 496, 203.7;  
D21/324; 315/158, 295; 340/4.3, 4.42, 12.22,  
340/12.23, 12.24, 12.29, 12.3, 13.2, 13.21,  
340/13.24; 341/176; 345/169; 348/734;  
455/352; 463/39; 431/12; 700/17, 65, 83  
See application file for complete search history.

(56) **References Cited**

U.S. PATENT DOCUMENTS

D298,489 S \* 11/1988 Sornborger ..... D6/300  
D362,695 S \* 9/1995 Waldhelm ..... D21/513  
D478,051 S \* 8/2003 Sagawa ..... D13/168  
D514,590 S \* 2/2006 Naruki ..... D14/203.3  
D556,211 S \* 11/2007 Howard ..... D14/496  
D557,259 S \* 12/2007 Hirsch ..... D14/217  
D558,757 S \* 1/2008 Andre et al. .... D14/341

D583,796 S \* 12/2008 Tanaka ..... D14/155  
D606,129 S \* 12/2009 Ben-Moshe ..... D21/517  
D638,835 S \* 5/2011 Akana et al. .... D14/341  
D639,751 S \* 6/2011 Tucker et al. .... D13/168  
D647,079 S \* 10/2011 Woods et al. .... D14/217  
2007/0073423 A1 \* 3/2007 Jeong ..... 700/65  
2007/0279246 A1 \* 12/2007 Hudspeth ..... 340/825.69  
2011/0140867 A1 \* 6/2011 Maier ..... 340/12.22  
2011/0300494 A1 \* 12/2011 Masen et al. .... 431/12  
2012/0008718 A1 \* 1/2012 Dabak et al. .... 375/298  
2012/0013450 A1 \* 1/2012 Lee et al. .... 340/12.54

\* cited by examiner

*Primary Examiner* — Selina Sikder

(74) *Attorney, Agent, or Firm* — Howard & Howard  
Attorneys PLLC

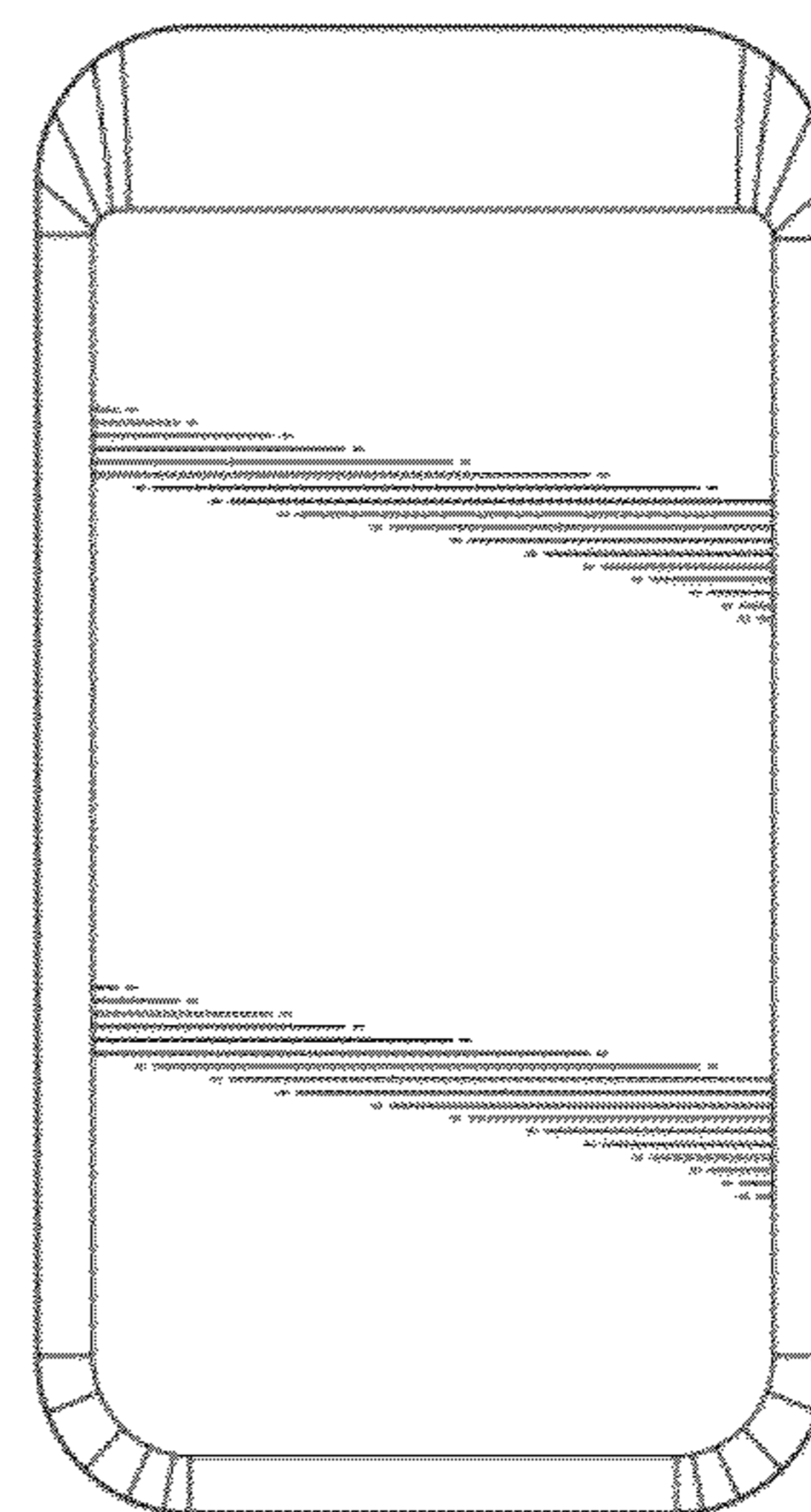
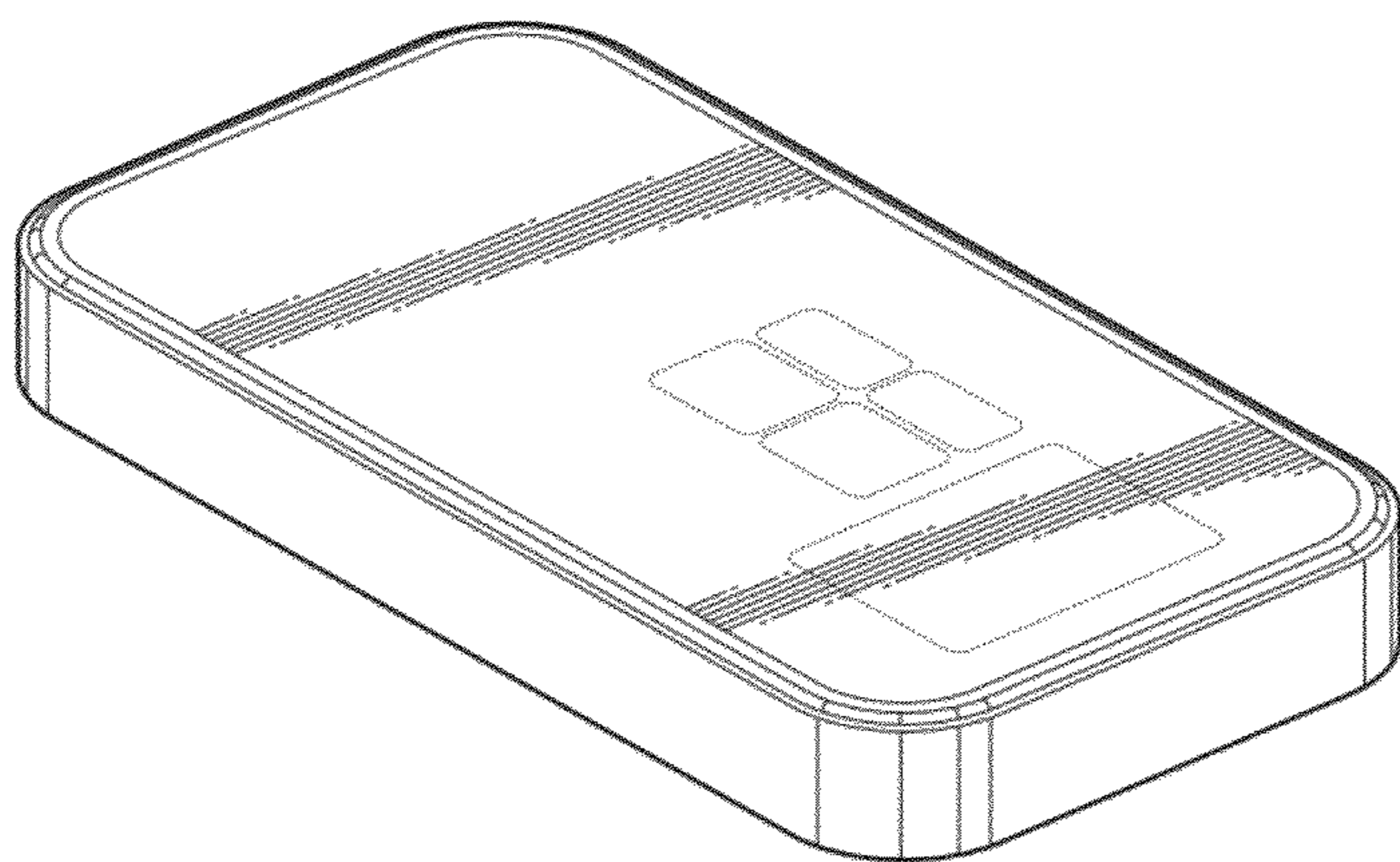
(57) **CLAIM**

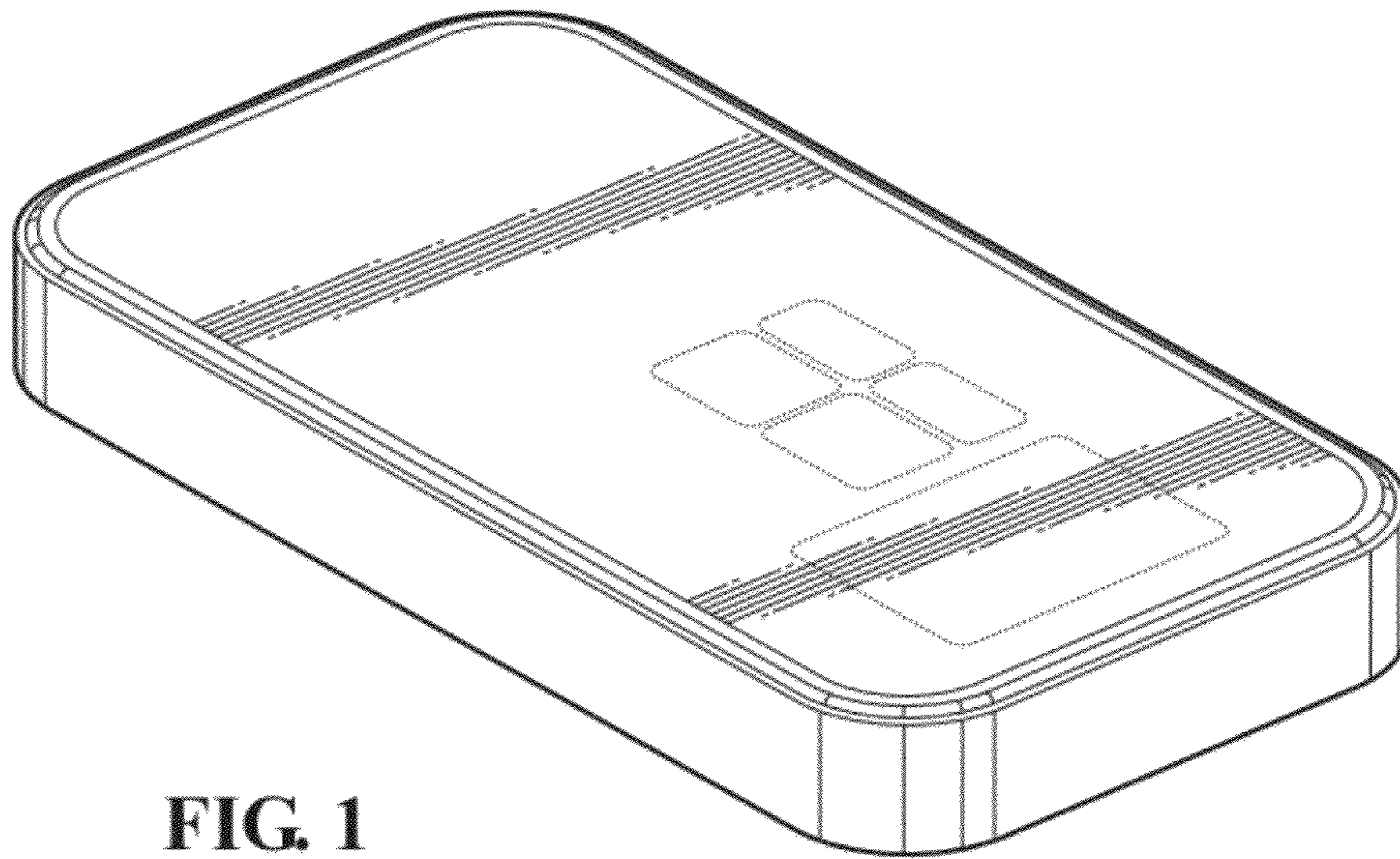
We claim the ornamental design for a remote control unit for a combustion appliance, as shown and described herein.

**DESCRIPTION**

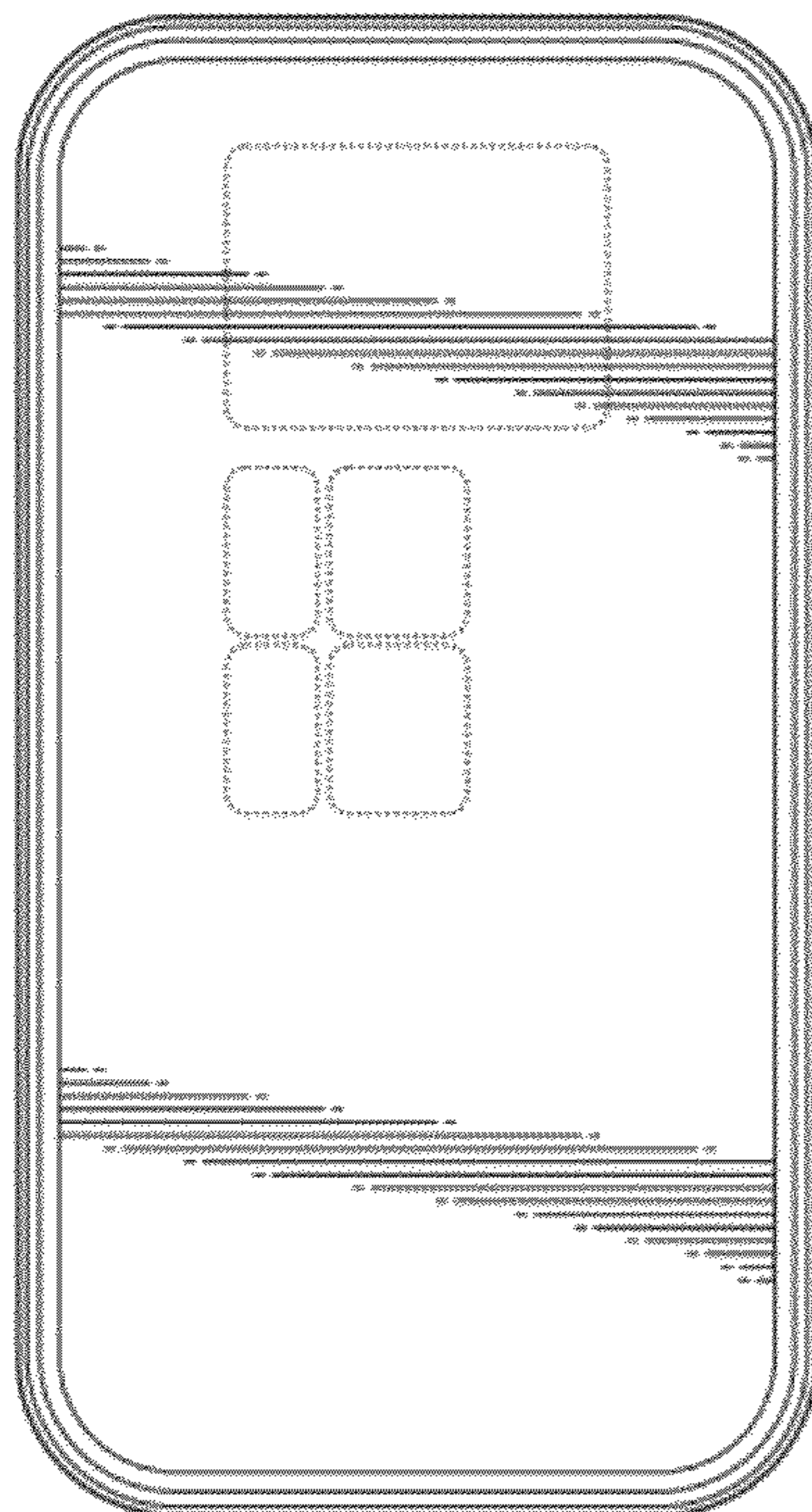
FIG. 1 is a perspective view of a remote control unit for a combustion appliance;  
FIG. 2 is a top elevational view of the remote control unit;  
FIG. 3 is a right side elevational view of the remote control unit;  
FIG. 4 is a left side elevational view of the remote control unit;  
FIG. 5 is a bottom elevational view of the remote control unit;  
FIG. 6 is a front elevational view of the remote control unit;  
and,  
FIG. 7 is a back elevational view of the remote control unit.  
The broken lines shown in the drawing views are for illustrative purposes only form no part of the claimed design.

**1 Claim, 2 Drawing Sheets**

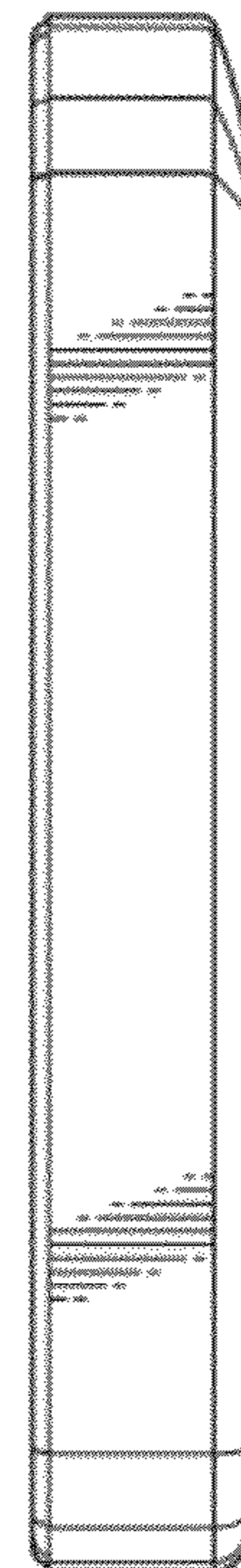




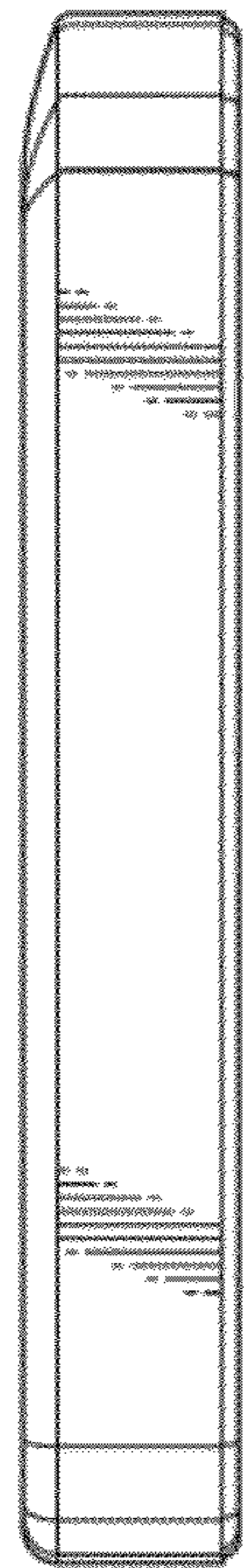
**FIG. 1**



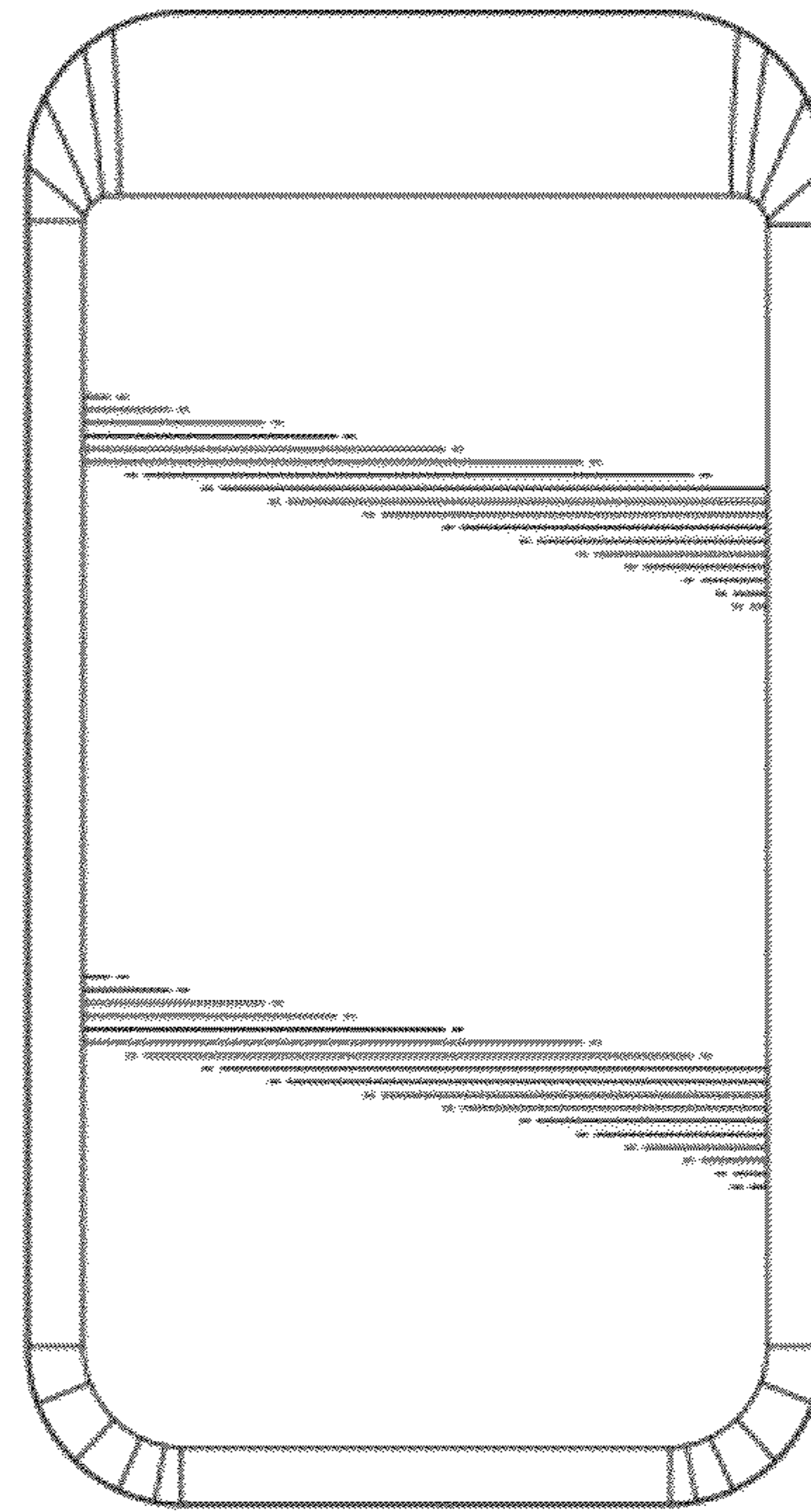
**FIG. 2**



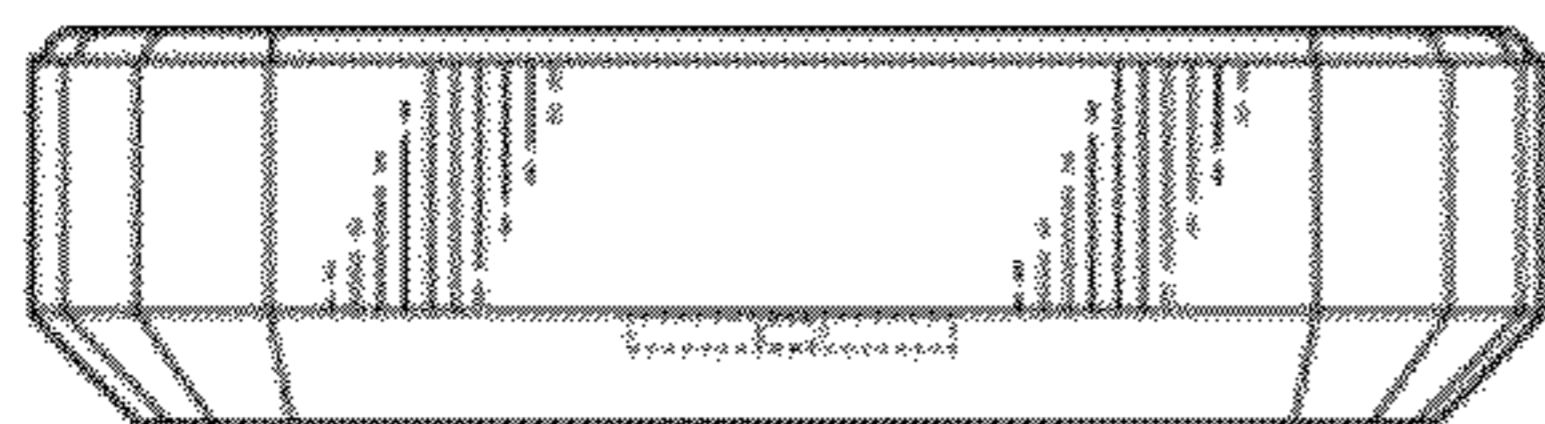
**FIG. 3**



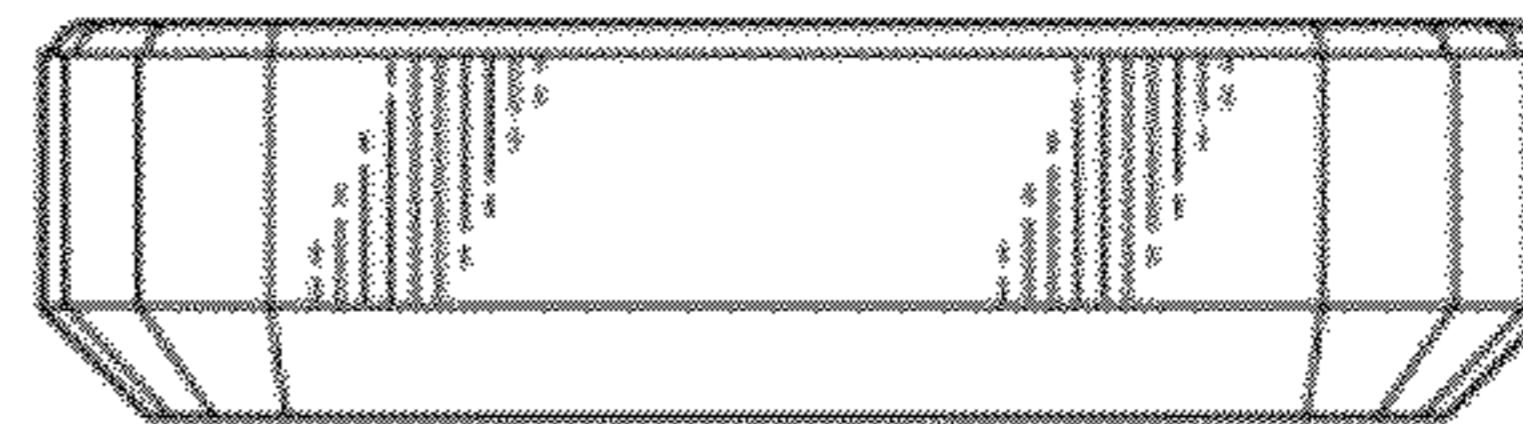
**FIG. 4**



**FIG. 5**



**FIG. 6**



**FIG. 7**

UNITED STATES PATENT AND TRADEMARK OFFICE  
**CERTIFICATE OF CORRECTION**

PATENT NO. : D660,809 S  
APPLICATION NO. : 29/386292  
DATED : May 29, 2012  
INVENTOR(S) : Bonnie Kern Koskela, Richard H. Bargert and Daniel J. Perz

Page 1 of 1

It is certified that error appears in the above-identified patent and that said Letters Patent is hereby corrected as shown below:

On the title page, item (75); under "Inventors":

"Daniel J. Perz, Windsor, CA (US)" should read -- Daniel J. Perz, Windsor, ON (CA) --.

Signed and Sealed this  
Twenty-eighth Day of August, 2012

A handwritten signature in black ink that reads "David J. Kappos". The signature is written in a cursive, slightly slanted style.

David J. Kappos  
*Director of the United States Patent and Trademark Office*