



US00D660808S

(12) **United States Design Patent**  
**McMillen**

(10) **Patent No.:** **US D660,808 S**

(45) **Date of Patent:** **\*\* May 29, 2012**

(54) **FOOT-OPERATED CONTROLLER**

(75) Inventor: **Keith McMillen**, Berkeley, CA (US)

(73) Assignee: **Kesumo LLC**, Berkeley, CA (US)

(\*\*) Term: **14 Years**

(21) Appl. No.: **29/376,860**

(22) Filed: **Oct. 13, 2010**

(51) **LOC (9) Cl.** ..... **13-03**

(52) **U.S. Cl.** ..... **D13/167**

(58) **Field of Classification Search** ..... D13/179;  
D15/72; D17/20; D24/179; 5/600; 74/512,  
74/560, 561; 200/86.5; 219/132; 307/119;  
433/101; 606/1

See application file for complete search history.

(56) **References Cited**

**U.S. PATENT DOCUMENTS**

D319,158	S	*	8/1991	Jones et al.	.....	D6/491
5,883,615	A	*	3/1999	Fago et al.	.....	345/156
D517,504	S	*	3/2006	Kitajima et al.	.....	D13/178
D520,553	S	*	5/2006	Bogdan et al.	.....	D17/20
D542,739	S	*	5/2007	Pollard	.....	D13/167

7,498,532	B2	*	3/2009	Kuhner et al.	.....	200/86.5
2005/0172404	A1	*	8/2005	Diller et al.	.....	5/616
2011/0011708	A1	*	1/2011	Ellafrits	.....	200/86.5

\* cited by examiner

*Primary Examiner* — Selina Sikder

(74) *Attorney, Agent, or Firm* — Weaver Austin Villeneuve and Sampson LLP

(57) **CLAIM**

I claim the ornamental design for a foot-operated controller, as shown and described.

**DESCRIPTION**

FIG. 1 is a top perspective view from a first angle of particular embodiment of this invention showing our new design; FIG. 2 is another top perspective view thereof from a second angle;

FIG. 3 is a top plan view thereof;

FIG. 4 is a bottom plan view thereof;

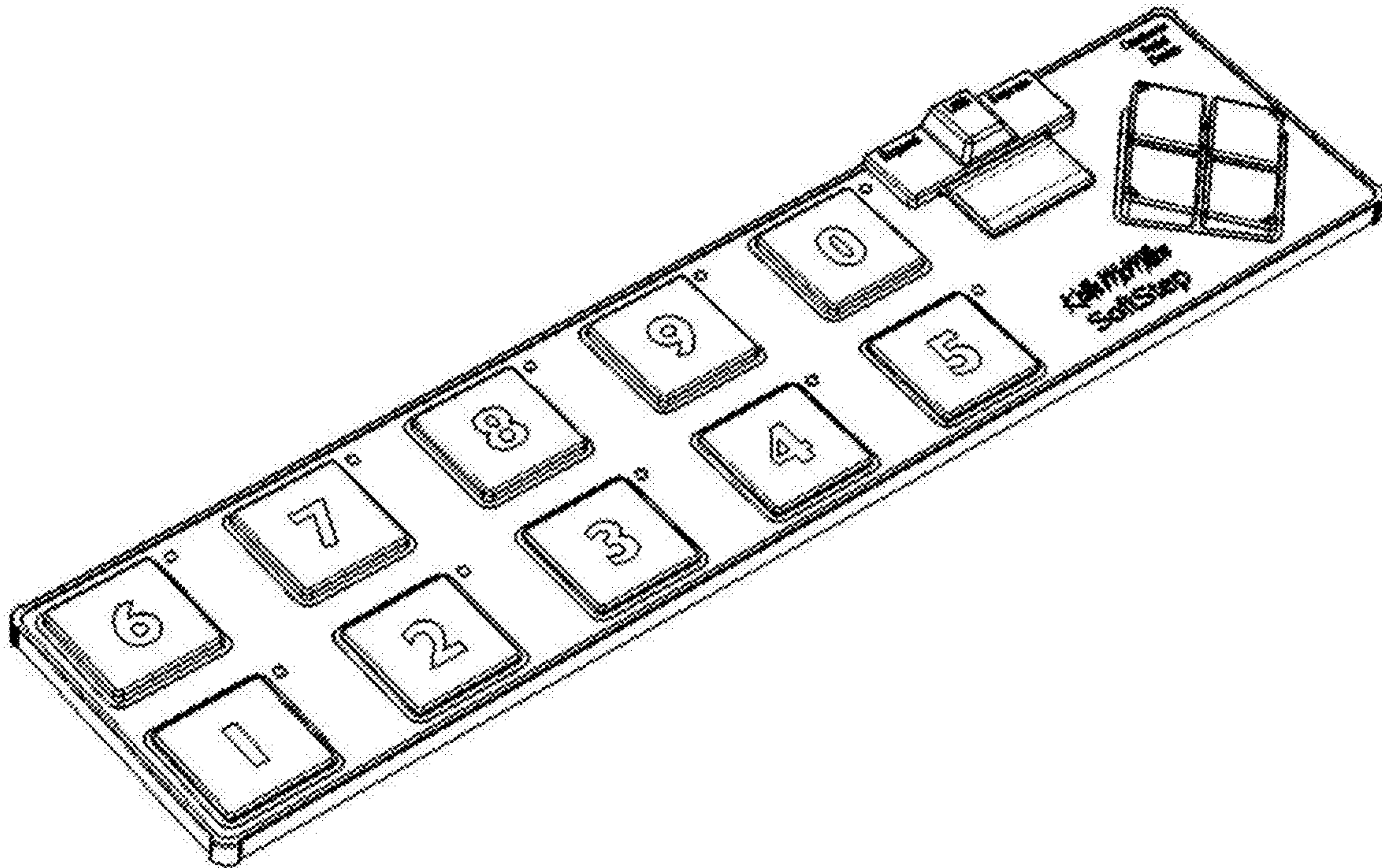
FIG. 5 is a front elevation view thereof;

FIG. 6 is a rear elevation view thereof;

FIG. 7 is a left side elevation view thereof; and,

FIG. 8 is a right side elevation view thereof.

**1 Claim, 5 Drawing Sheets**



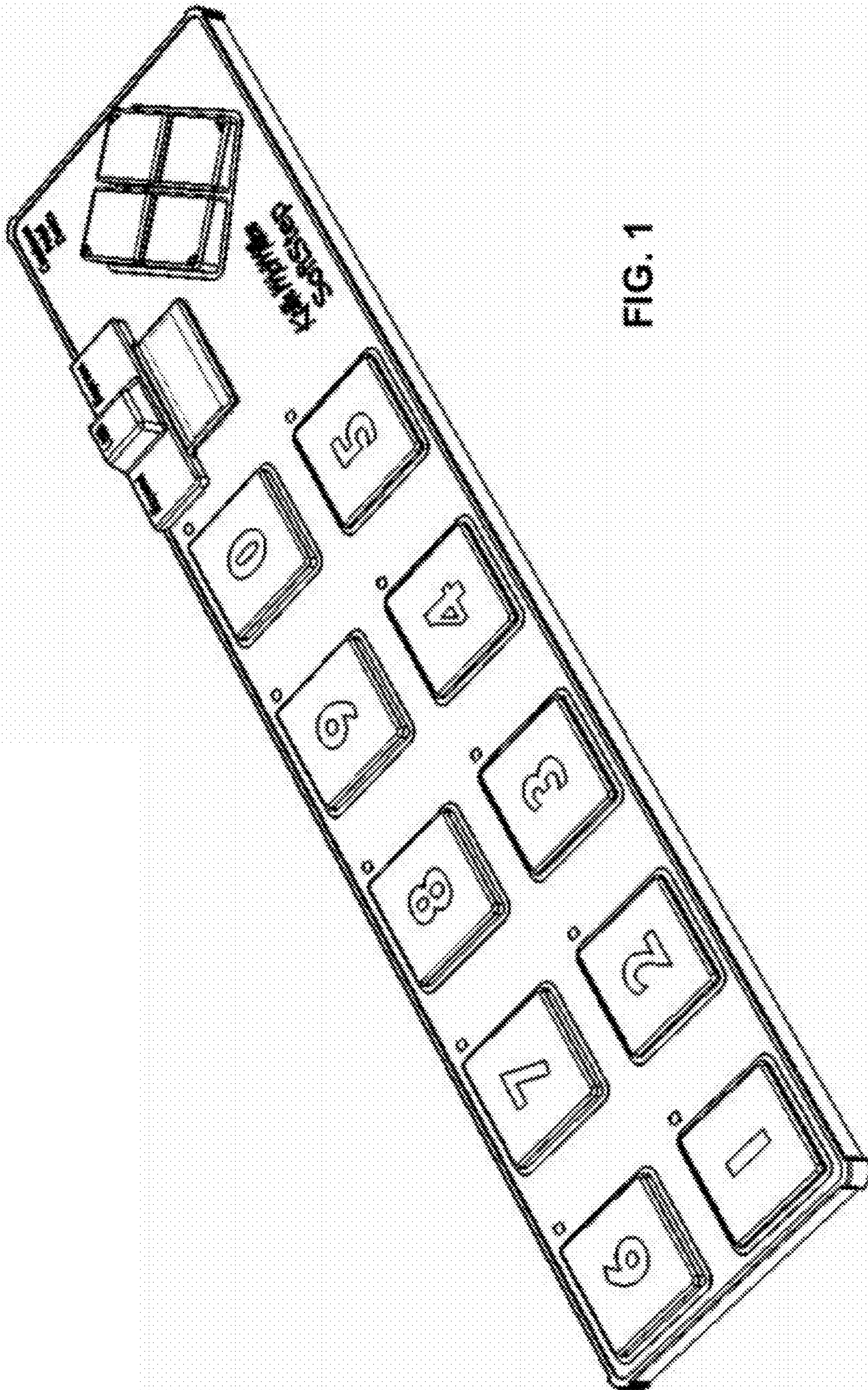


FIG. 1

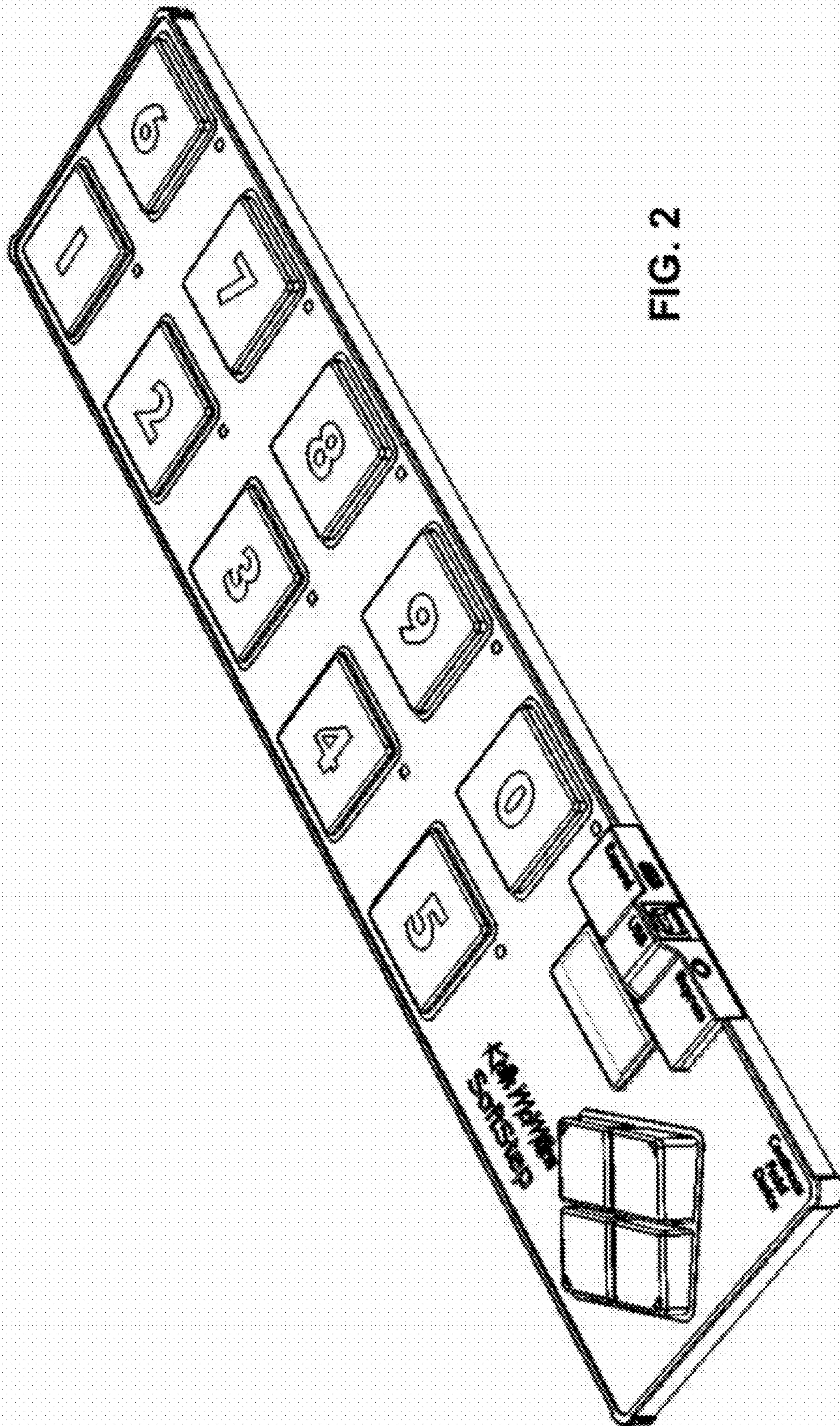


FIG. 2

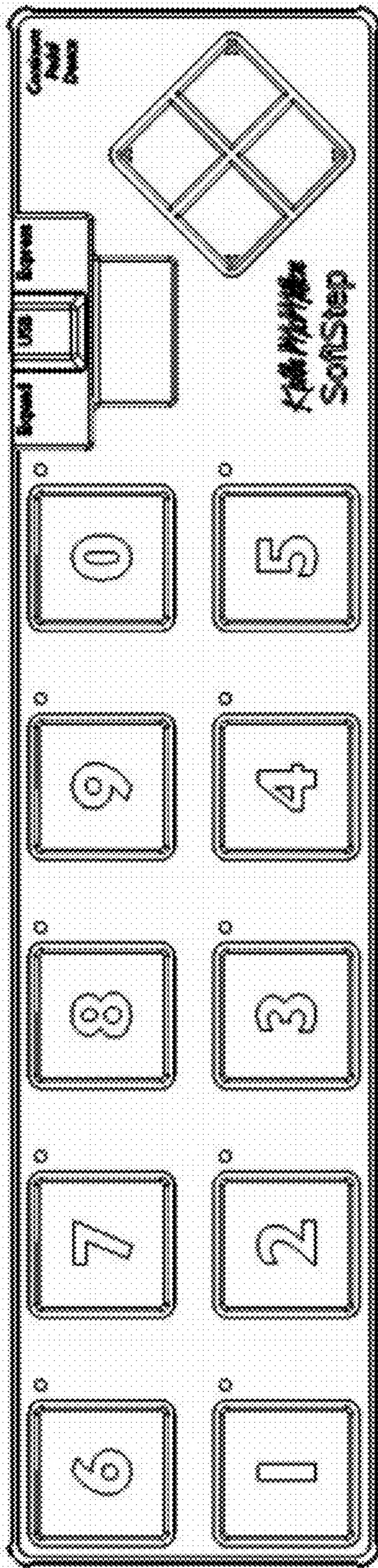


FIG. 3

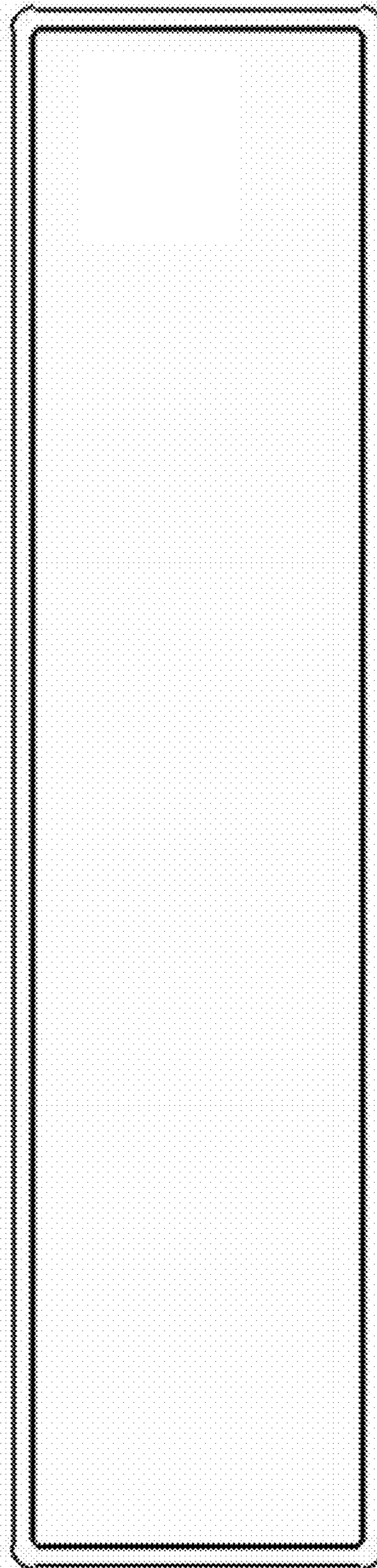


FIG. 4

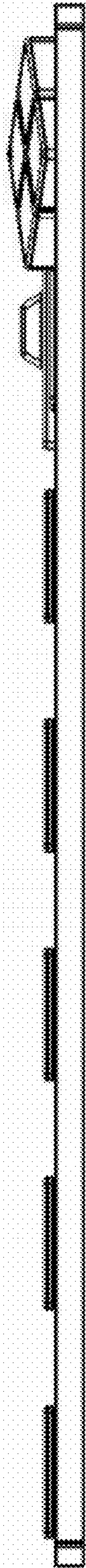


FIG. 5

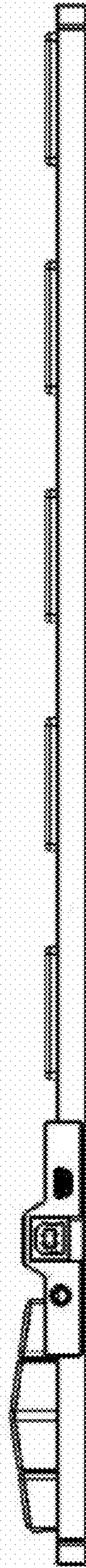


FIG. 6

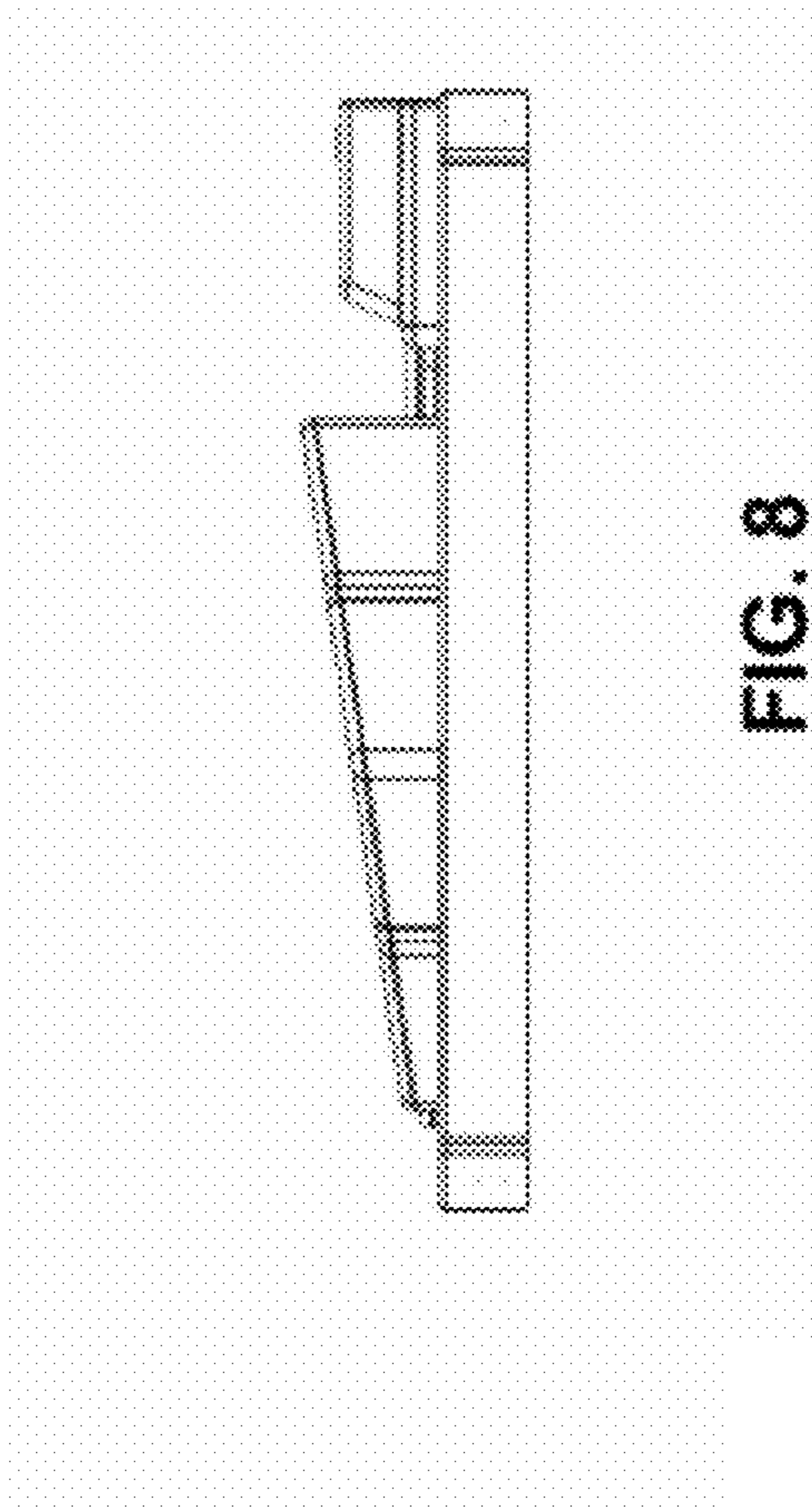


FIG. 8

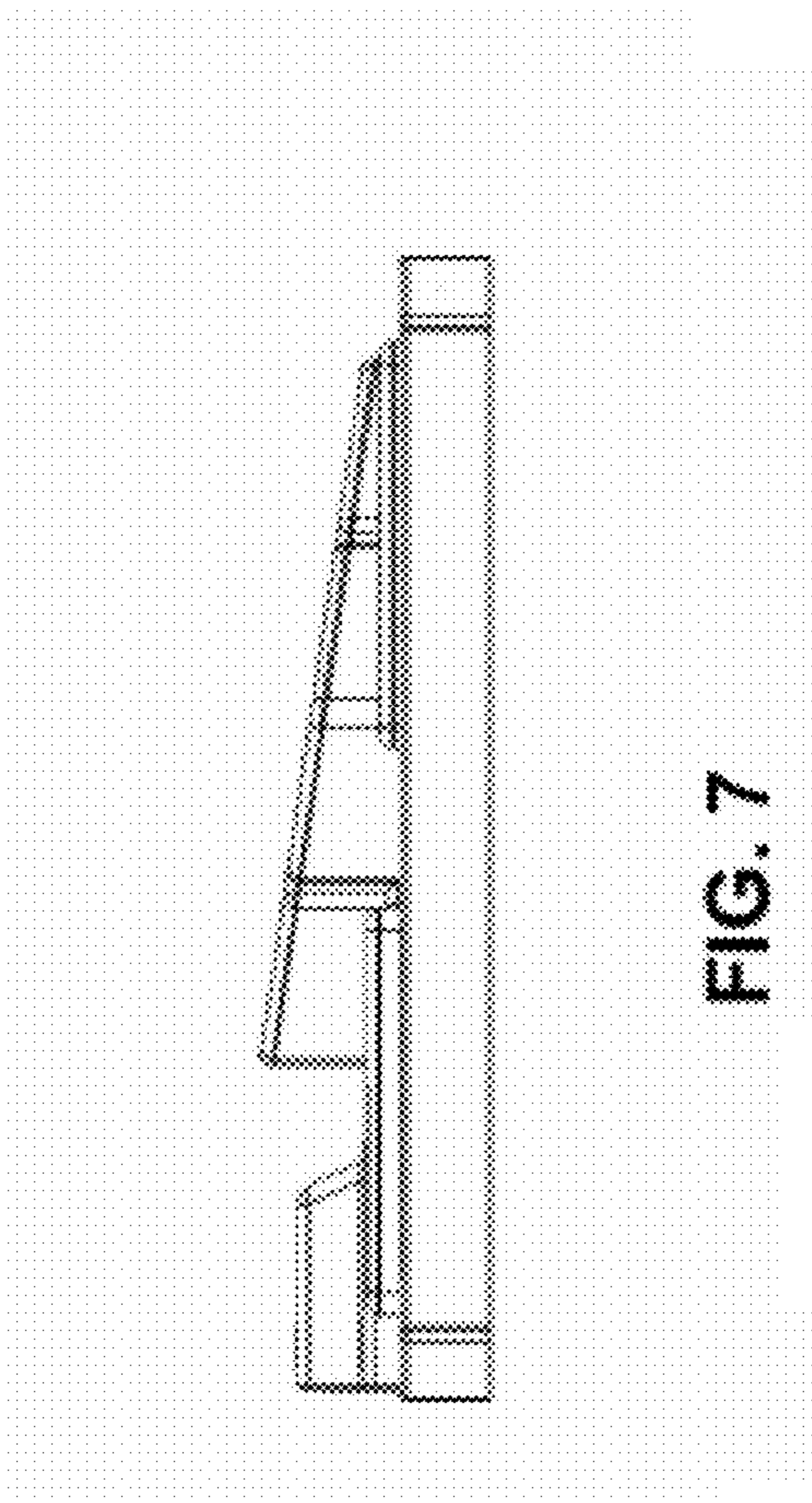


FIG. 7