



US00D660805S

(12) **United States Design Patent**  
**Azzola et al.**

(10) **Patent No.:** **US D660,805 S**  
(45) **Date of Patent:** **\*\* May 29, 2012**

(54) **CIRCUIT BREAKER**

(75) Inventors: **Lucio Azzola**, Bergamo (IT); **Giovanni Frassinetti**, Bergamo (IT)

(73) Assignee: **ABB S.p.A.**, Milan (IT)

(\*\*) Term: **14 Years**

(21) Appl. No.: **29/356,421**

(22) Filed: **Feb. 25, 2010**

**Related U.S. Application Data**

(60) Continuation of application No. 29/331,873, filed on Feb. 3, 2009, now Pat. No. Des. 611,002, which is a division of application No. 29/241,662, filed on Oct. 31, 2005, now Pat. No. Des. 587,658.

(30) **Foreign Application Priority Data**

May 10, 2005 (EM) ..... 000341169

(51) **LOC (9) Cl.** ..... **13-03**

(52) **U.S. Cl.** ..... **D13/160**

(58) **Field of Classification Search** ..... D13/160;  
200/43.14, 50.01, 50.21-50.23, 51 R, 293,  
200/400; 361/42, 44, 45, 50, 71, 115, 608,  
361/634

See application file for complete search history.

(56) **References Cited**

**U.S. PATENT DOCUMENTS**

4,728,757 A 3/1988 Buxton et al.  
5,362,933 A 11/1994 Kutsche et al.  
D378,914 S 4/1997 Smith et al.  
5,717,178 A 2/1998 Turner et al.

D402,267 S 12/1998 M'Sadoques  
5,902,973 A 5/1999 Ramey et al.  
6,177,641 B1 1/2001 Morel et al.  
6,388,867 B1 5/2002 Rakus et al.  
6,445,559 B1 9/2002 Phillips et al.  
6,489,577 B2 12/2002 Kurata

(Continued)

**FOREIGN PATENT DOCUMENTS**

WO DM/055273 4/2001

**OTHER PUBLICATIONS**

Abb Sace L.V., Sace Emax. A system that's open to any solution, 604060/011 en, Jul. 1999.

(Continued)

*Primary Examiner* — Selina Sikder

(74) *Attorney, Agent, or Firm* — Connolly Bove Lodge & Hutz LLP

(57) **CLAIM**

The ornamental design for a "circuit breaker," as shown and described.

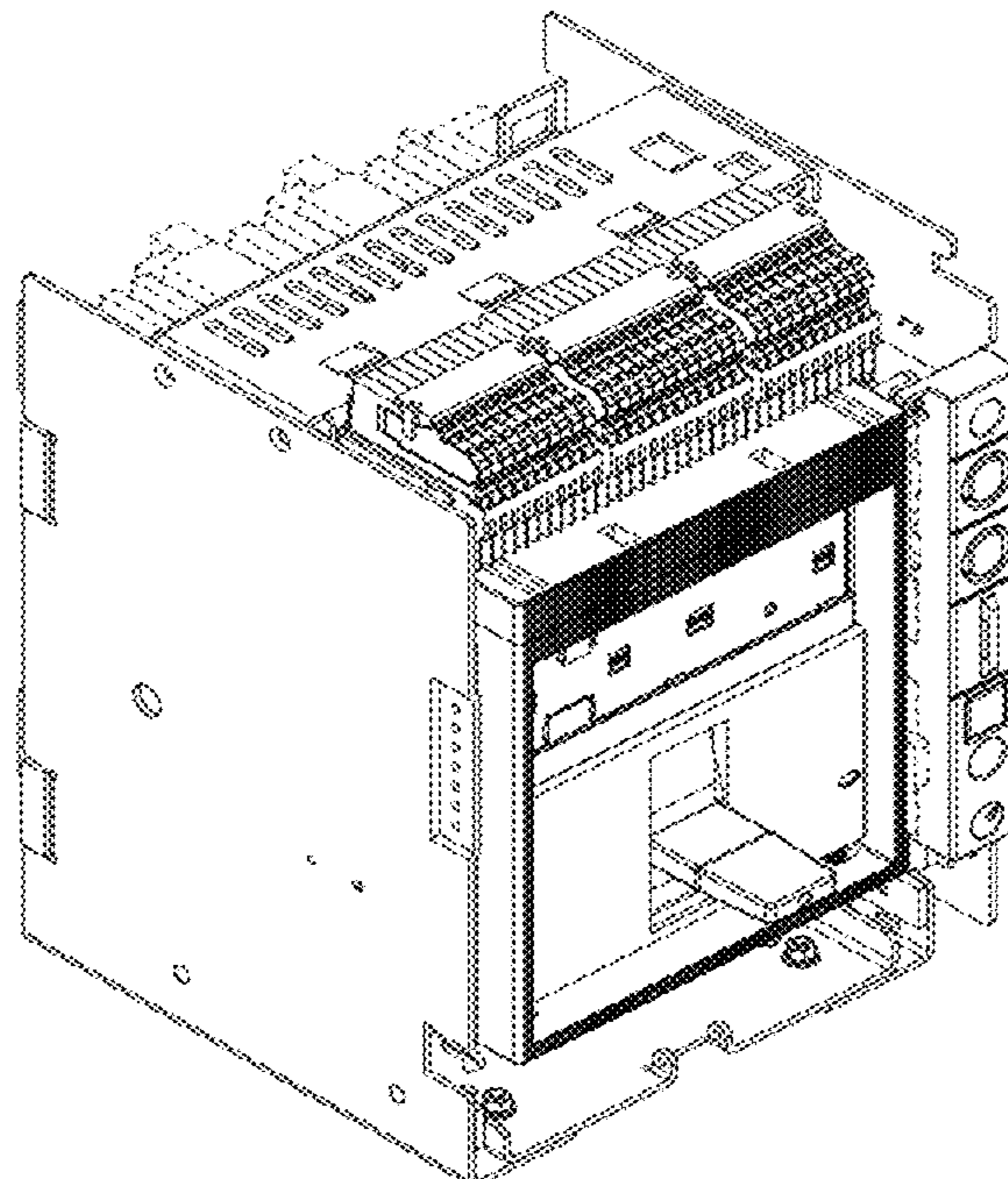
**DESCRIPTION**

FIG. 1 is a perspective view of an embodiment of a circuit breaker;

FIG. 2 is a front view of an embodiment of a circuit breaker;  
FIG. 3 is a right view of an embodiment of a circuit breaker;  
FIG. 4 is a left view of an embodiment of a circuit breaker;  
FIG. 5 is a bottom view of an embodiment of a circuit breaker;  
FIG. 6 is a top view of an embodiment of a circuit breaker;  
and,

FIG. 7 is a rear view of an embodiment of a circuit breaker.  
The broken lines in FIGS. 1-7 form no part of the claimed design.

**1 Claim, 7 Drawing Sheets**



# US D660,805 S

Page 2

## U.S. PATENT DOCUMENTS

7,064,283 B2 6/2006 Deylitz et al.  
D535,626 S \* 1/2007 Azzola et al. .... D13/160  
D547,729 S \* 7/2007 Azzola et al. .... D13/160  
D547,730 S \* 7/2007 Azzola et al. .... D13/160  
D551,629 S \* 9/2007 Azzola et al. .... D13/160  
D562,777 S \* 2/2008 Azzola et al. .... D13/160  
D576,111 S \* 9/2008 Azzola et al. .... D13/160  
D585,839 S \* 2/2009 Azzola et al. .... D13/160  
D587,658 S \* 3/2009 Azzola et al. .... D13/160  
D593,506 S \* 6/2009 Azzola et al. .... D13/160  
D599,301 S \* 9/2009 Azzola et al. .... D13/160  
D606,026 S \* 12/2009 Azzola et al. .... D13/160  
D610,552 S \* 2/2010 Azzola et al. .... D13/160  
D611,002 S \* 3/2010 Azzola et al. .... D13/160

D633,446 S \* 3/2011 Besana et al. .... D13/160  
D639,252 S \* 6/2011 Azzola et al. .... D13/160  
2001/0025773 A1 10/2001 Rane et al.  
2004/0045796 A1 3/2004 Azzola et al.  
2006/0118397 A1 6/2006 Dahl et al.

## OTHER PUBLICATIONS

Terasaki Electric, Revolution in circuit breaker technology, 35 pp  
(date unknown).  
Co-pending U.S. Appl. No. 29/188,211 by L. Azzola filed Aug. 15,  
2003.  
Co-pending U.S. Appl. No. 29/213,604 by L. Azzola filed Sep. 22,  
2004.

\* cited by examiner

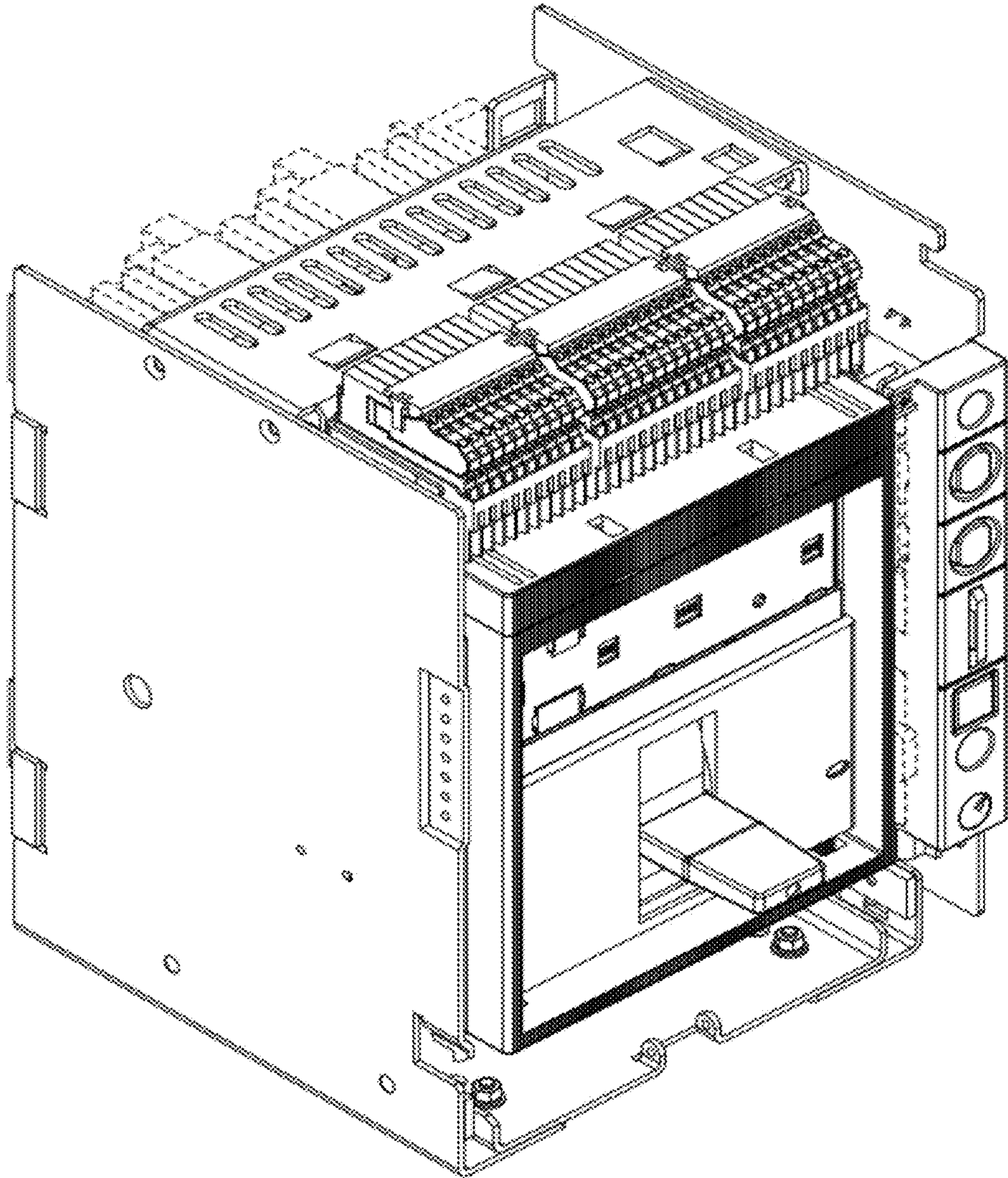


FIG. 1

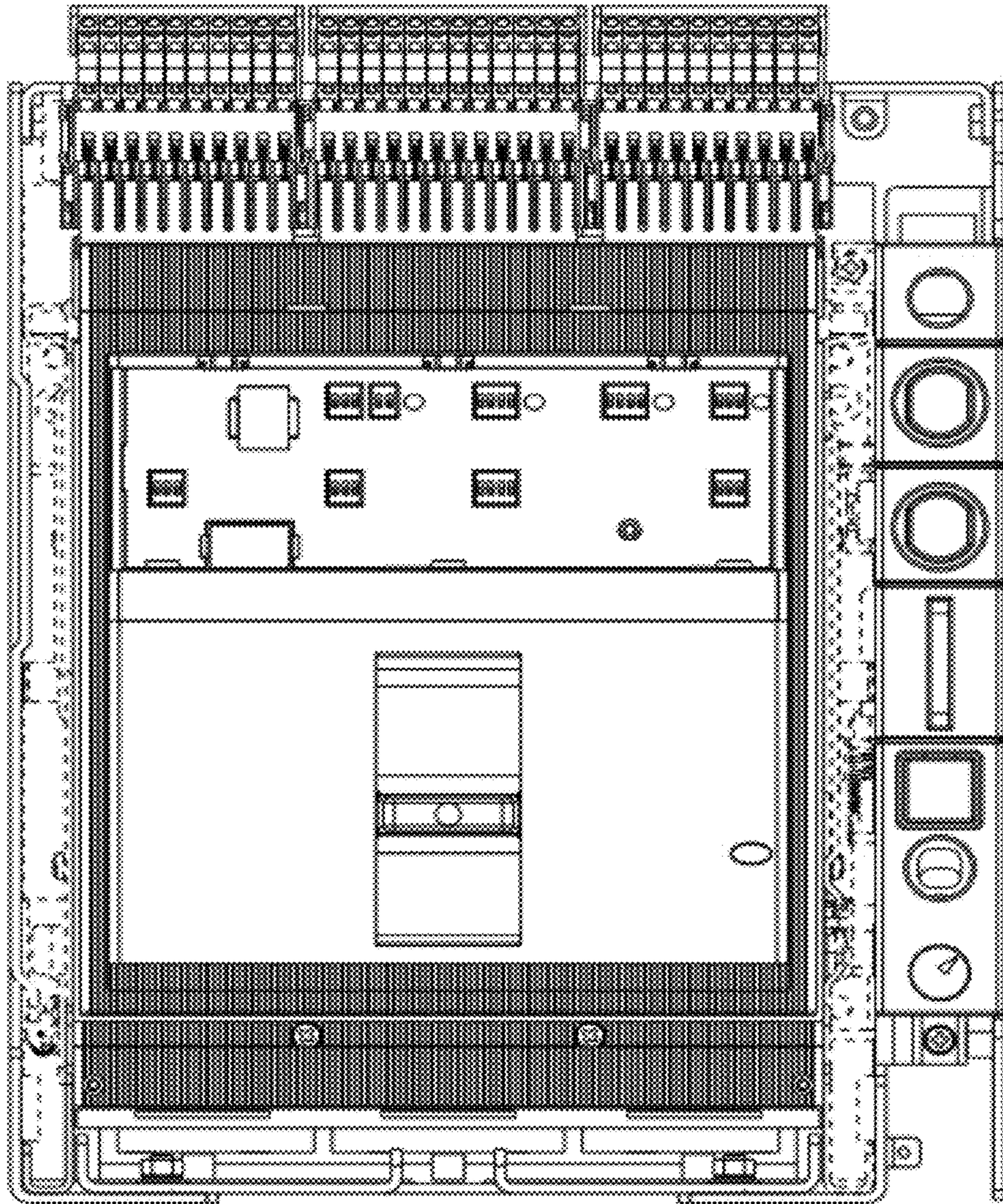


FIG. 2

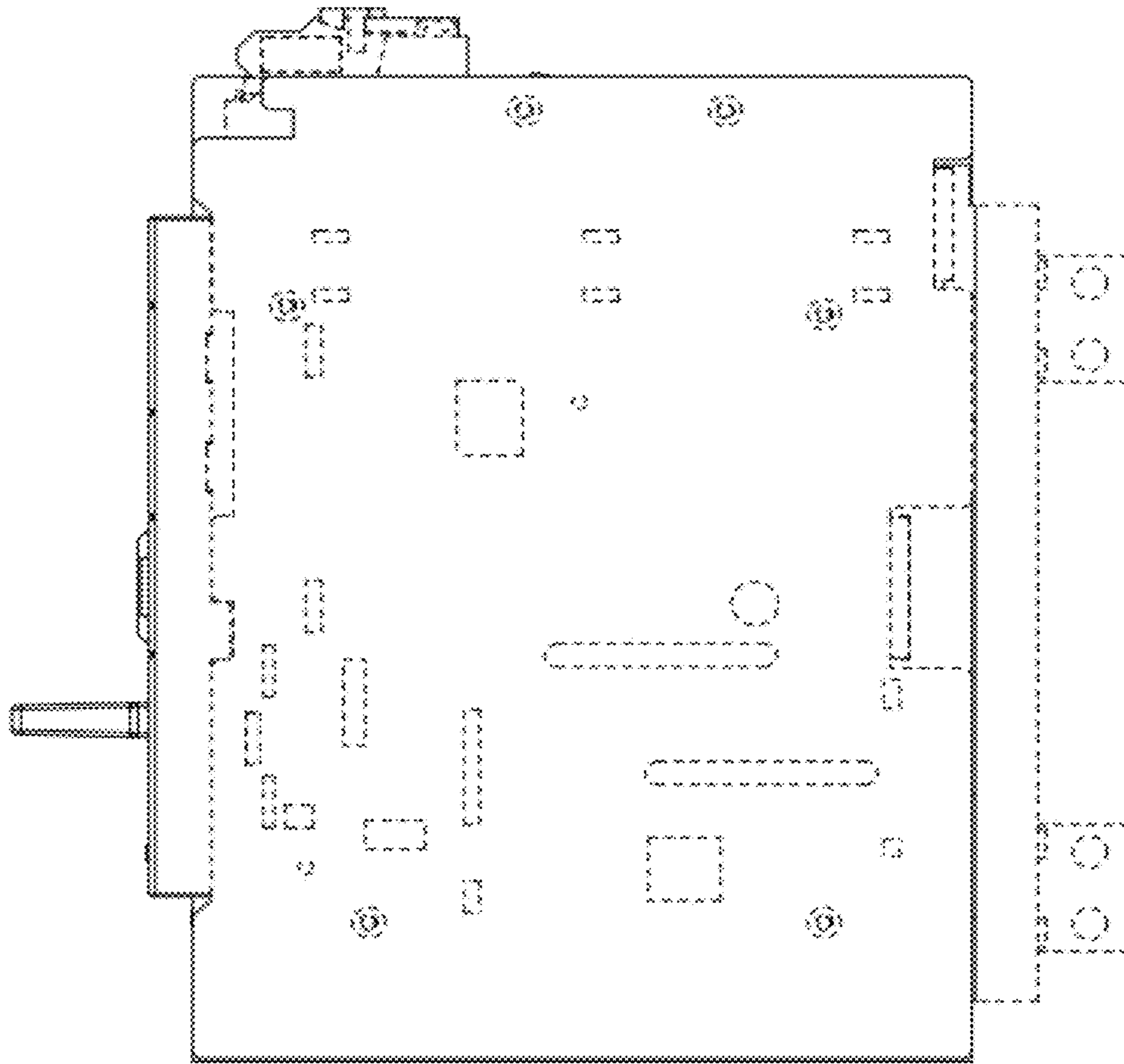


FIG. 3

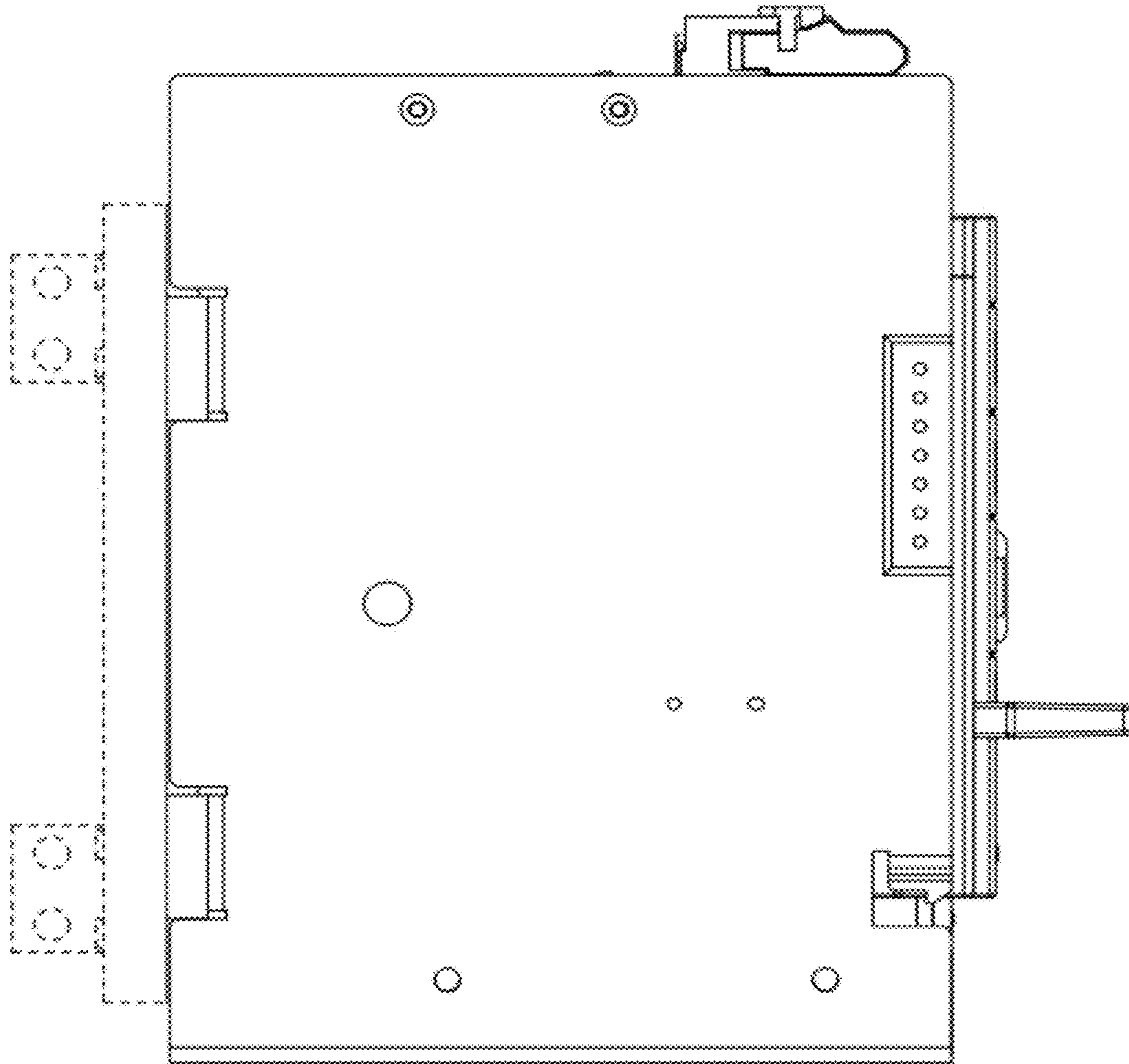


FIG. 4

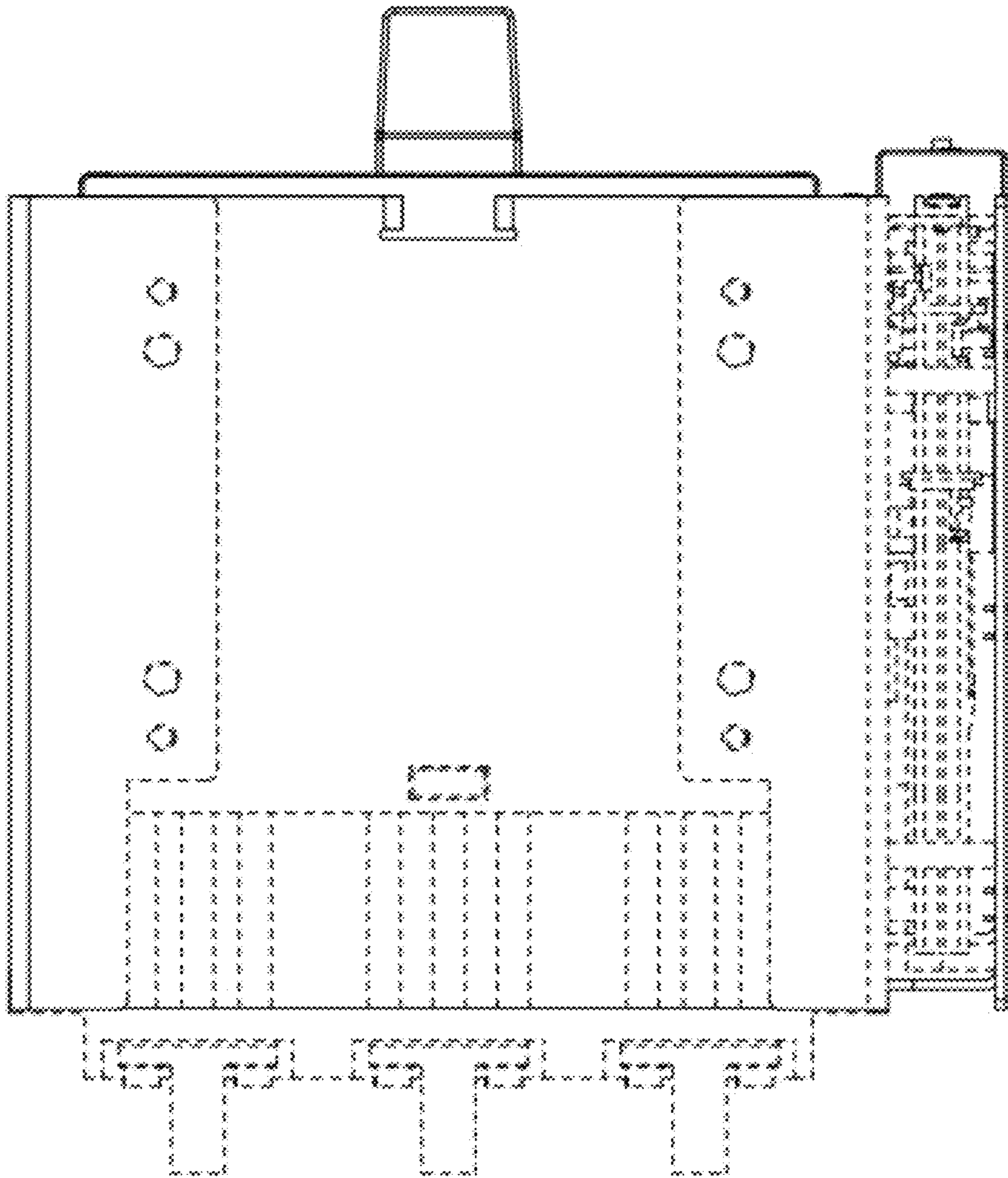


FIG. 5

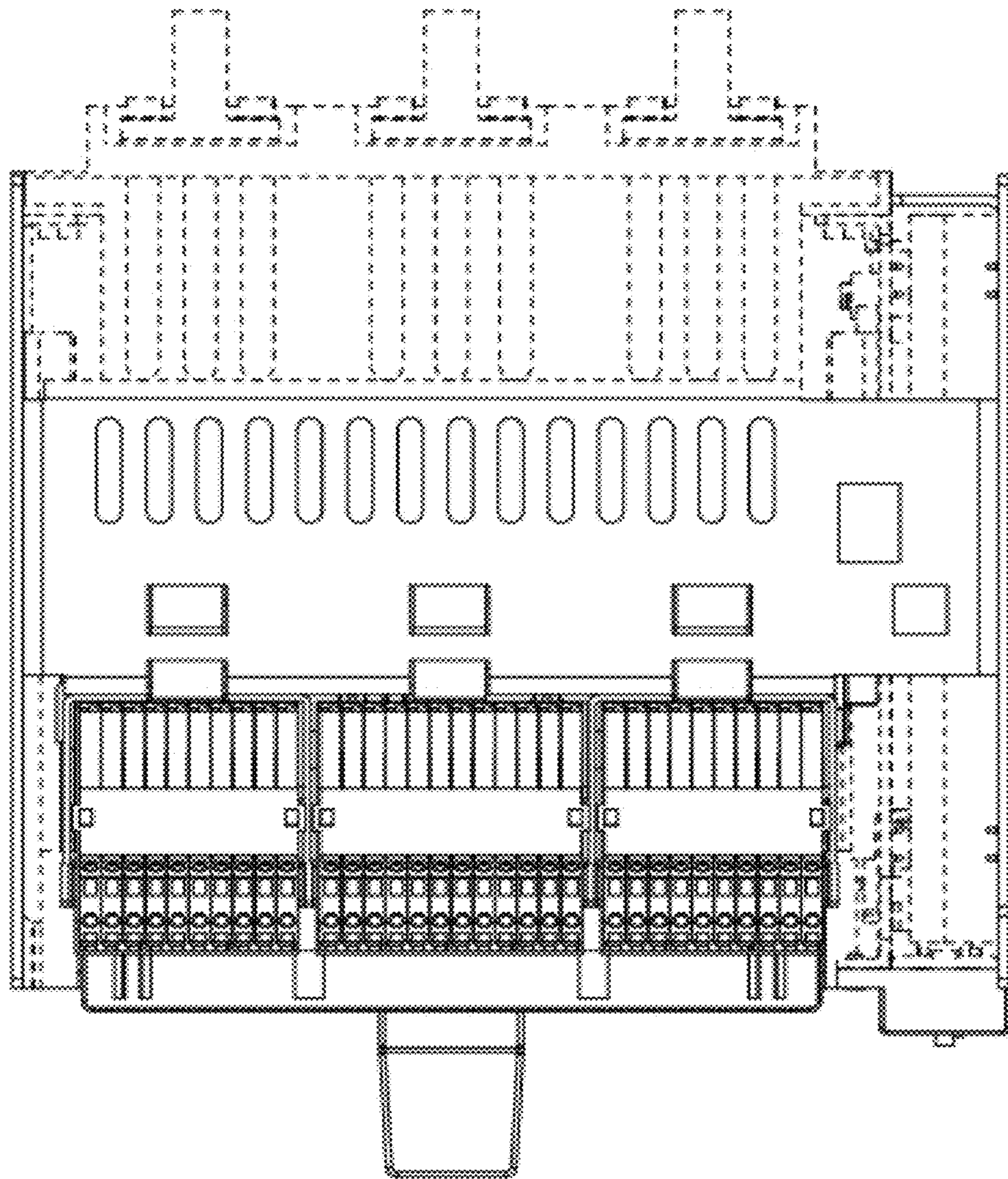


FIG. 6



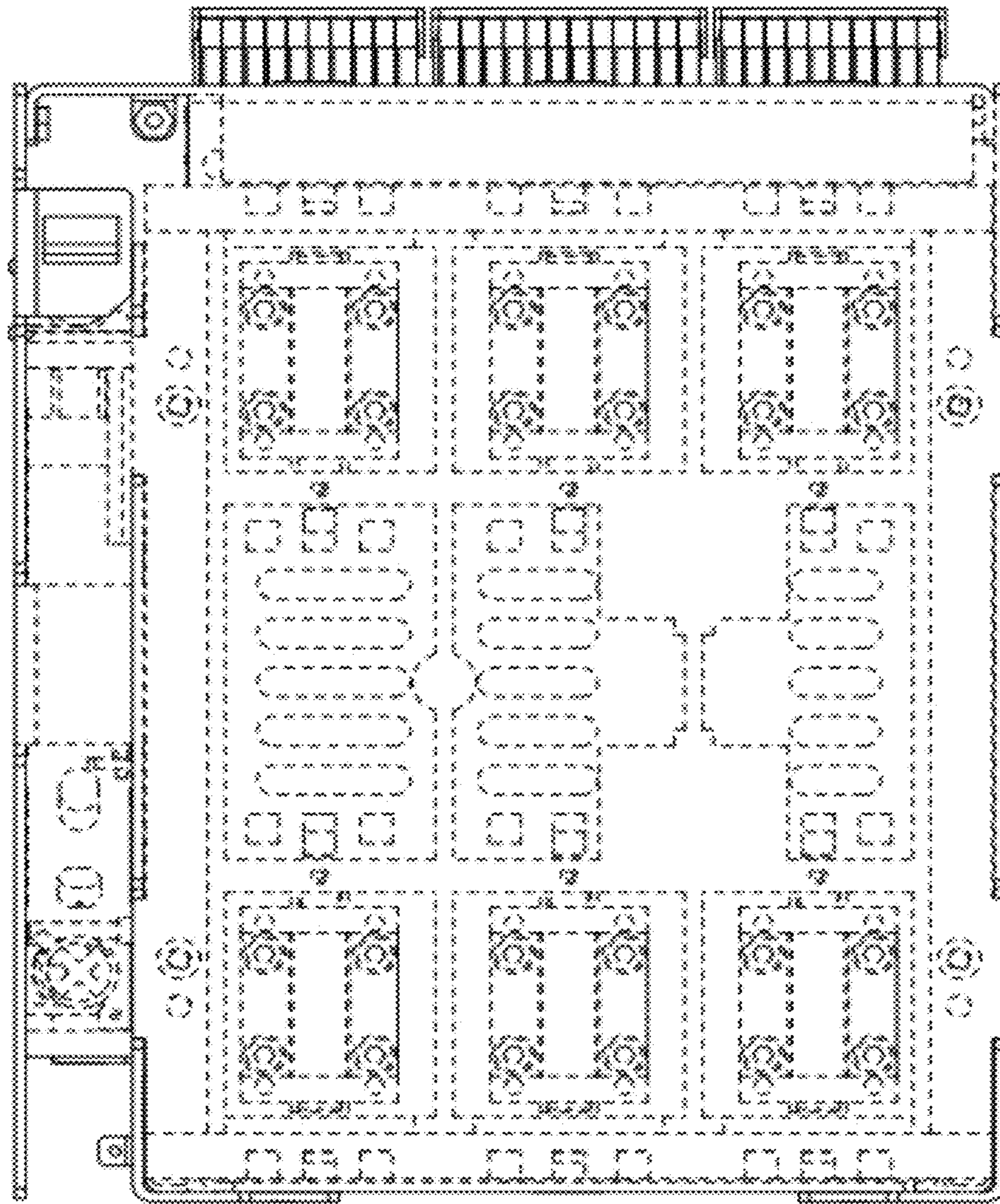


FIG. 7