



US00D660803S

(12) **United States Design Patent**
Yoshii

(10) **Patent No.:** **US D660,803 S**
(45) **Date of Patent:** **** May 29, 2012**

(54) **CONDUIT CONNECTOR**

(75) Inventor: **Hiroyuki Yoshii**, Hiroshima (JP)

(73) Assignee: **Nifco Inc.**, Yokohama-Shi (JP)

(**) Term: **14 Years**

(21) Appl. No.: **29/371,720**

(22) Filed: **Jul. 26, 2011**

(30) **Foreign Application Priority Data**

Jan. 28, 2011 (JP) 2011-001773

(51) **LOC (9) Cl.** **13-03**

(52) **U.S. Cl.** **D13/155**

(58) **Field of Classification Search** D13/155,
D13/133, 146, 149, 151, 153, 154, 156, 184,
D13/199; D8/349, 354, 356, 394, 396; D23/386;
174/145, 154, 158 R; 439/709, 724, 798,
439/810, 811, 814

See application file for complete search history.

(56) **References Cited**

U.S. PATENT DOCUMENTS

5,957,733 A * 9/1999 Mello et al. 439/814
6,325,675 B1 * 12/2001 Harmeyer 439/709

D487,062 S * 2/2004 Foster D13/151
D533,140 S * 12/2006 Motard et al. D13/156
D538,749 S * 3/2007 Sengupta et al. D13/151
D594,825 S * 6/2009 Sweeney et al. D13/155
D597,493 S * 8/2009 Wu D13/155
D633,873 S * 3/2011 Kiely D13/155

* cited by examiner

Primary Examiner — Derrick Holland

(74) *Attorney, Agent, or Firm* — Manabu Kanesaka

(57) **CLAIM**

The ornamental design for a conduit connector, as shown and described.

DESCRIPTION

FIG. 1 is a perspective view of a conduit connector showing my new design;
FIG. 2 is another perspective view thereof;
FIG. 3 is another perspective view thereof;
FIG. 4 is another perspective view thereof;
FIG. 5 is a front view thereof;
FIG. 6 is a rear view thereof;
FIG. 7 is a right side view thereof;
FIG. 8 is a left side view thereof;
FIG. 9 is top plan view thereof; and,
FIG. 10 is a bottom plan view thereof.

1 Claim, 5 Drawing Sheets

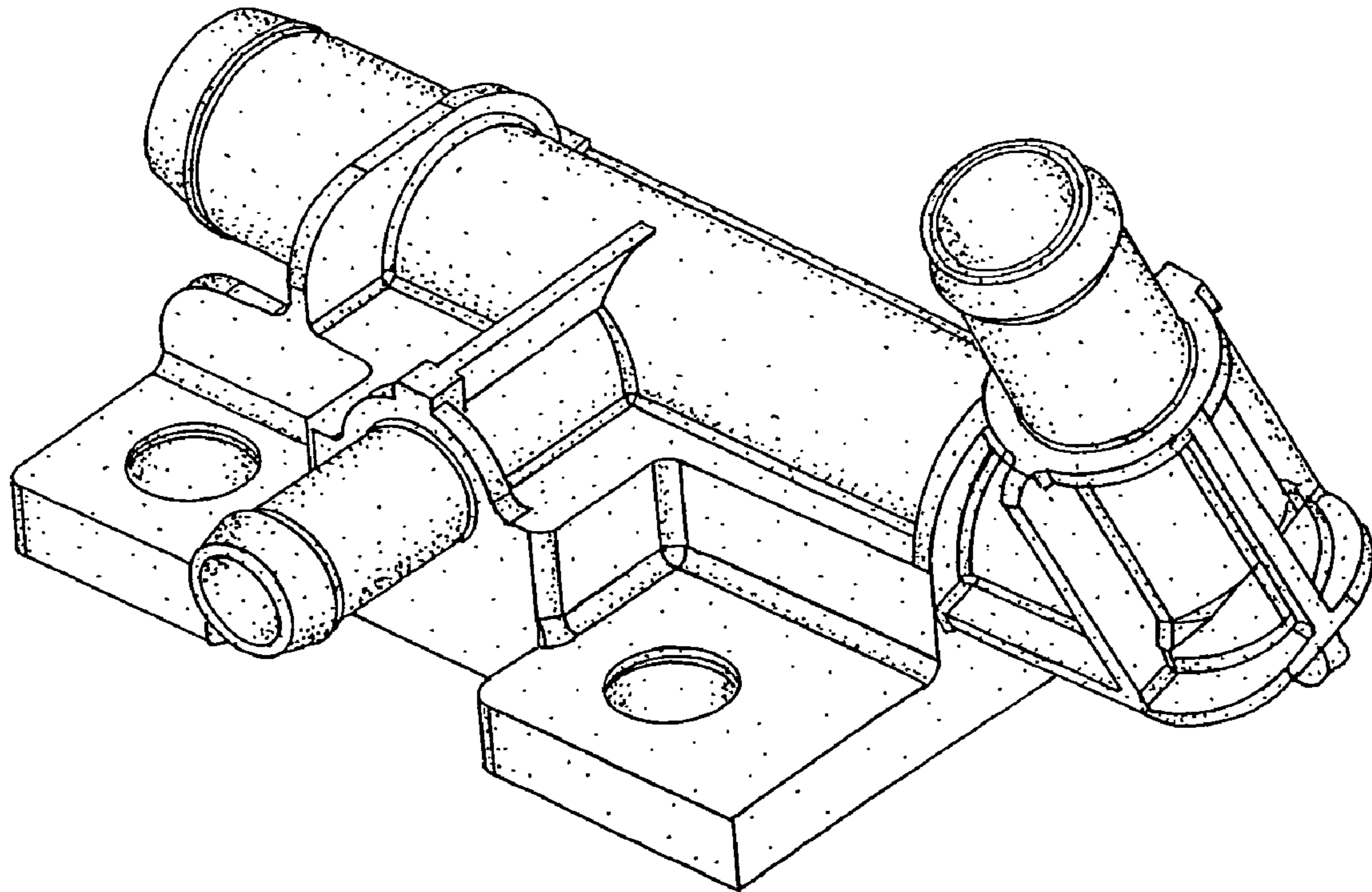


Fig. 1

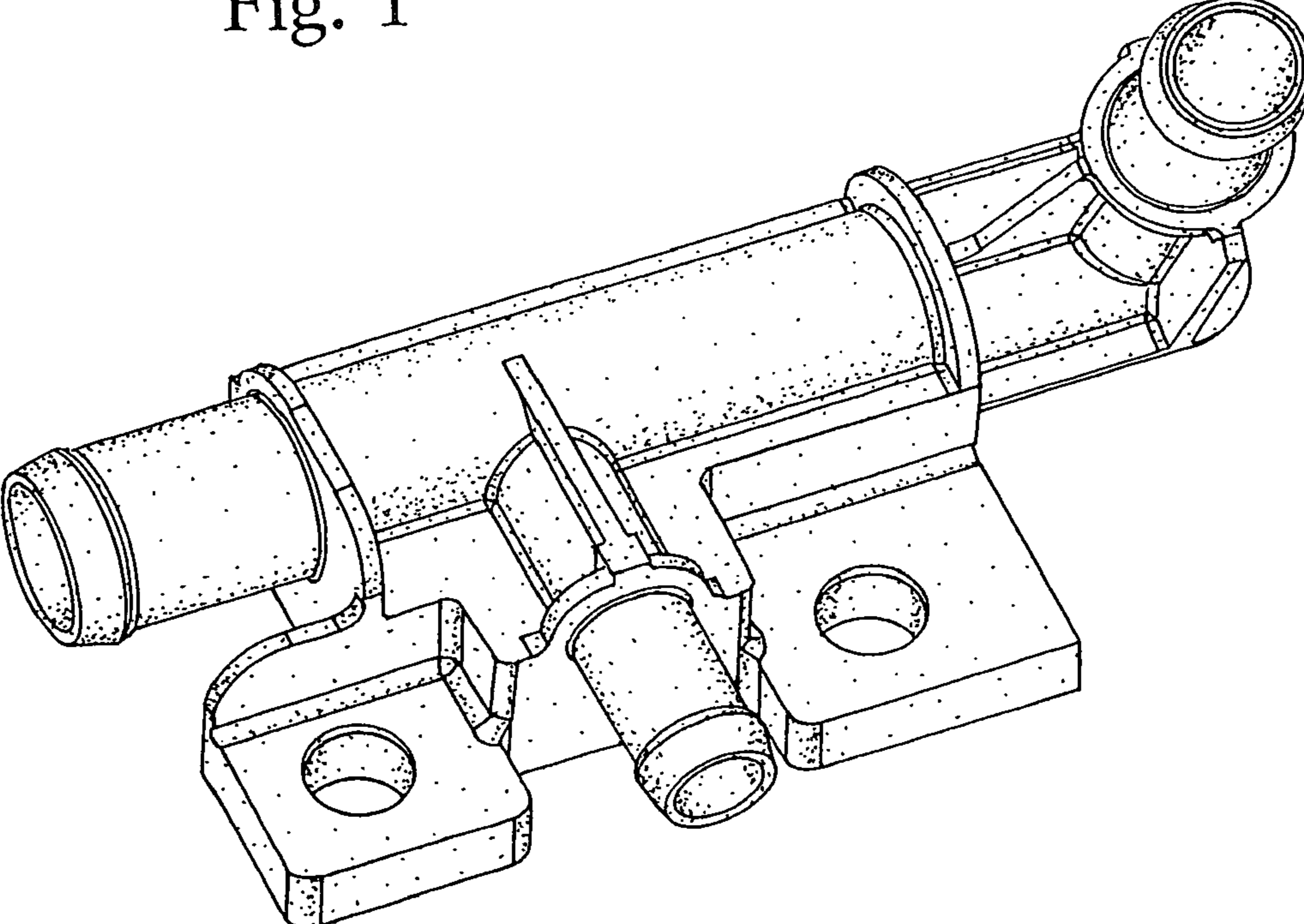


Fig. 2

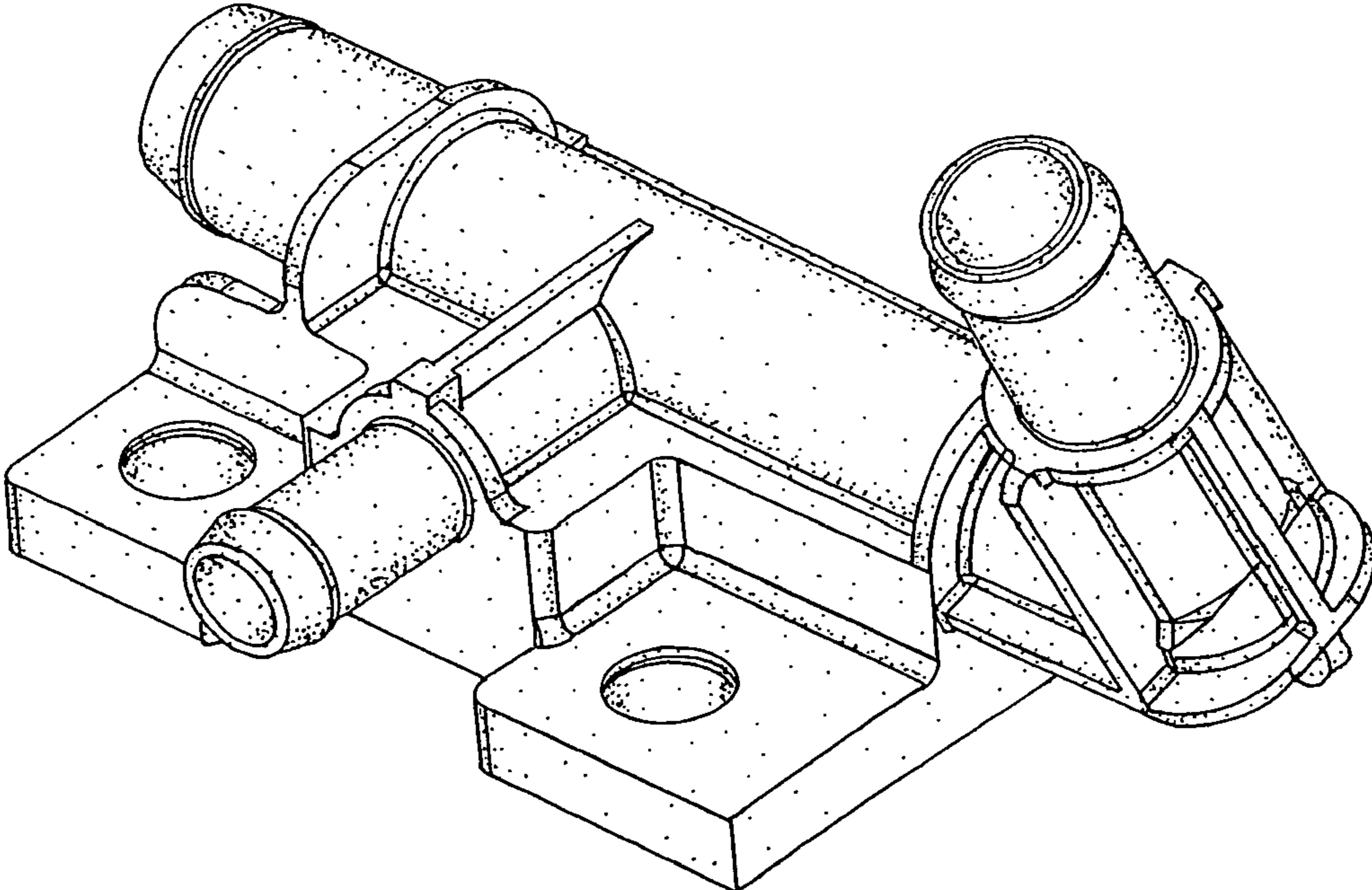


Fig. 3

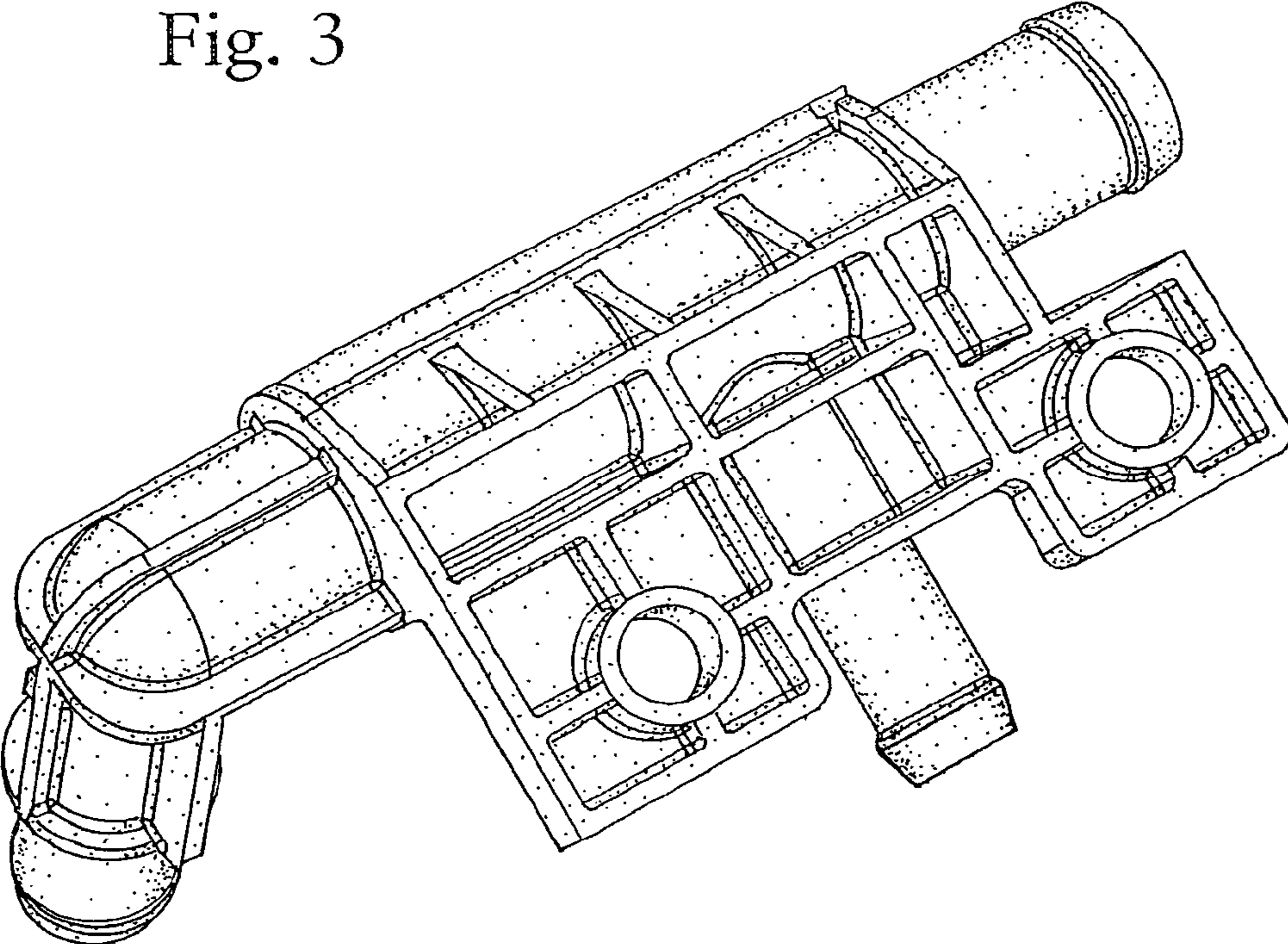


Fig. 4

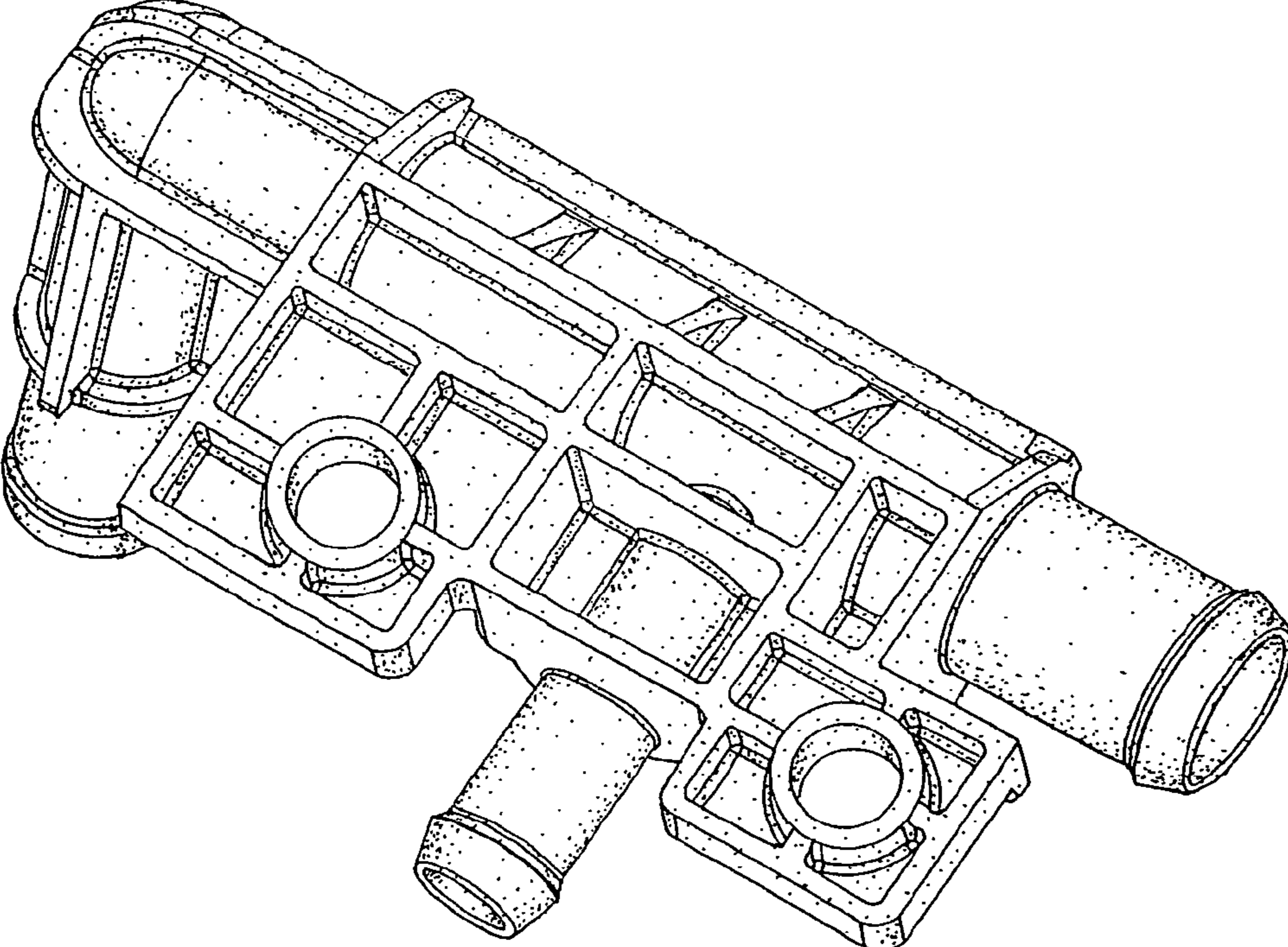


Fig. 5

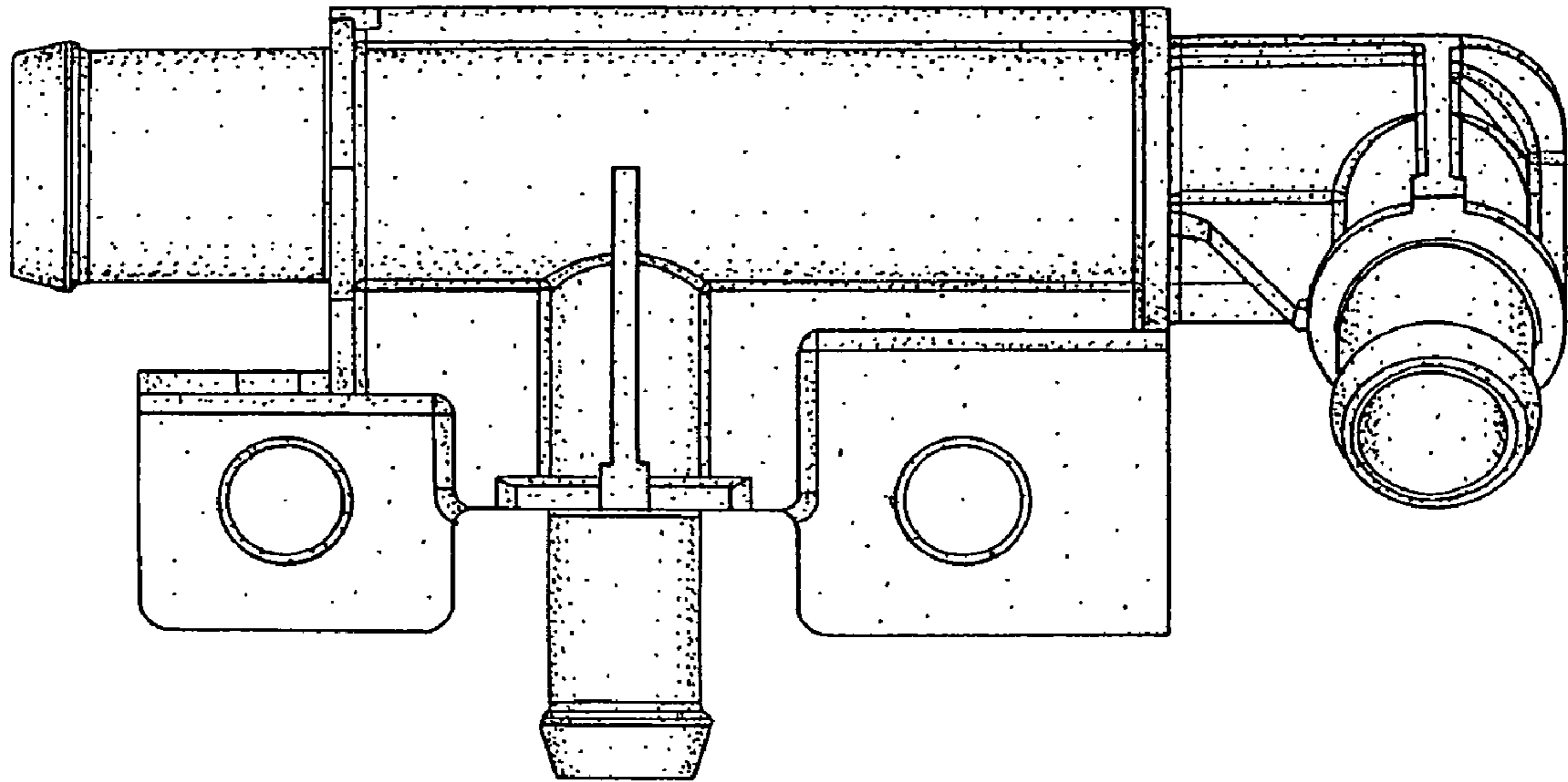


Fig. 6

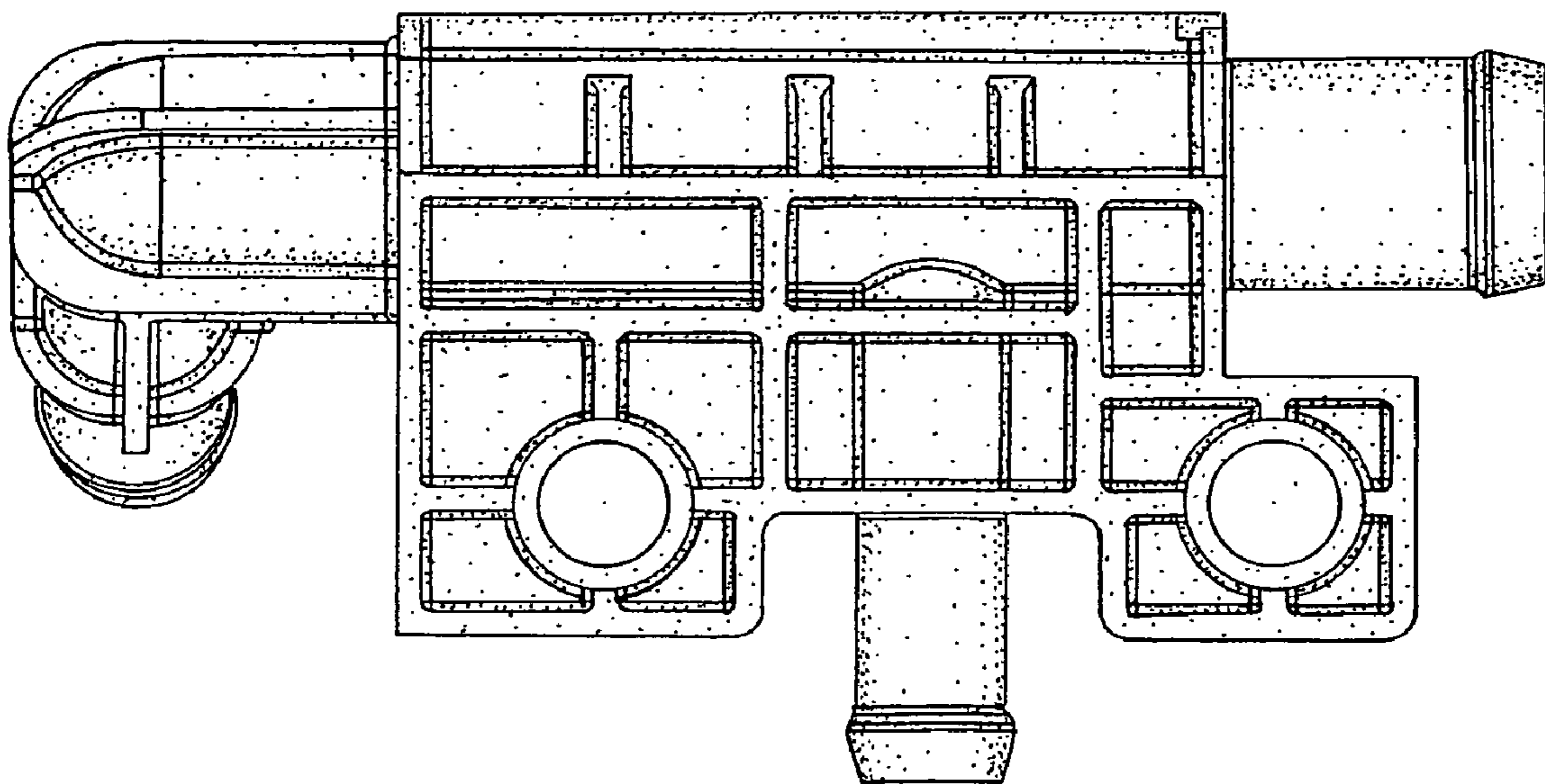


Fig. 7

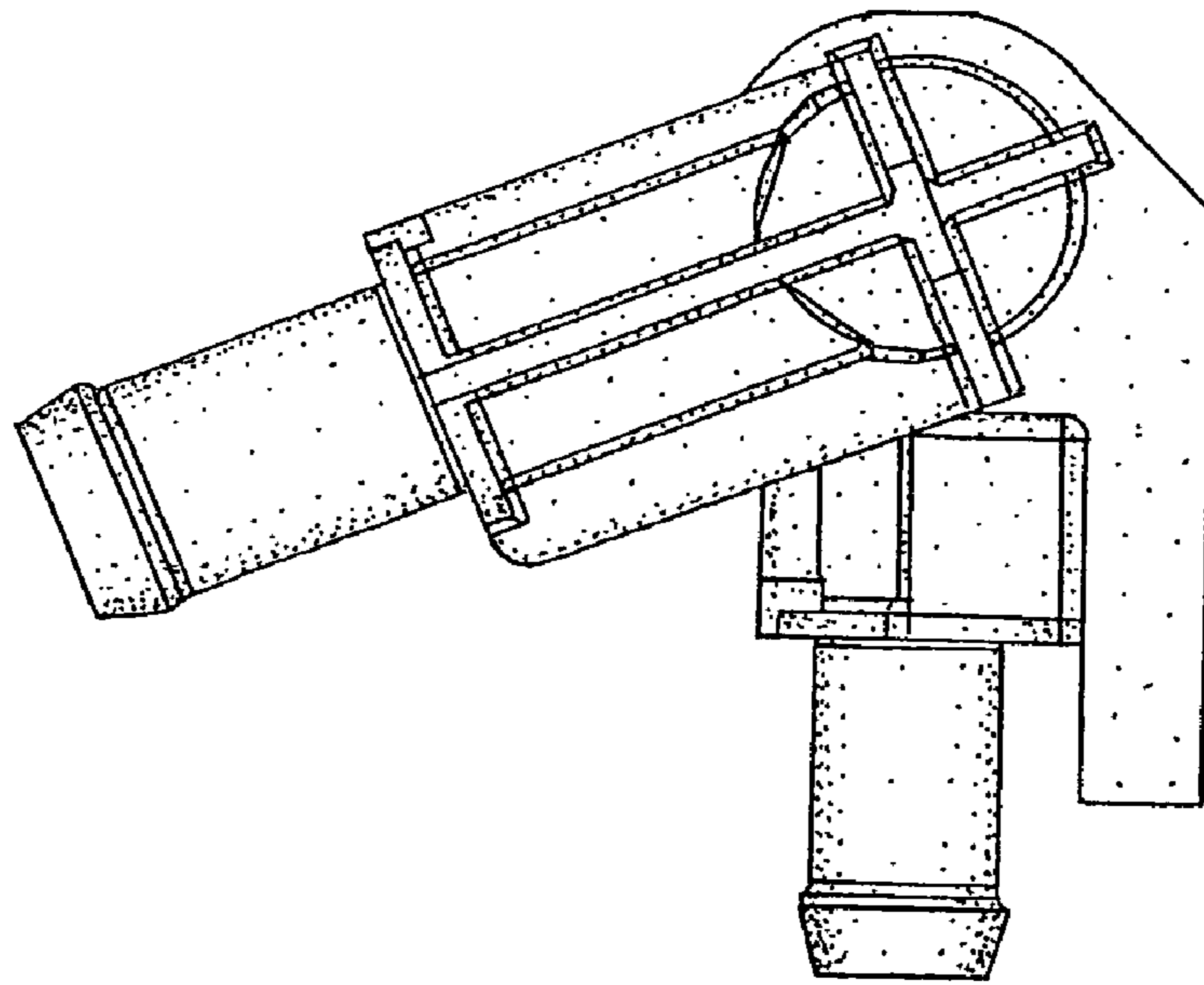


Fig. 8

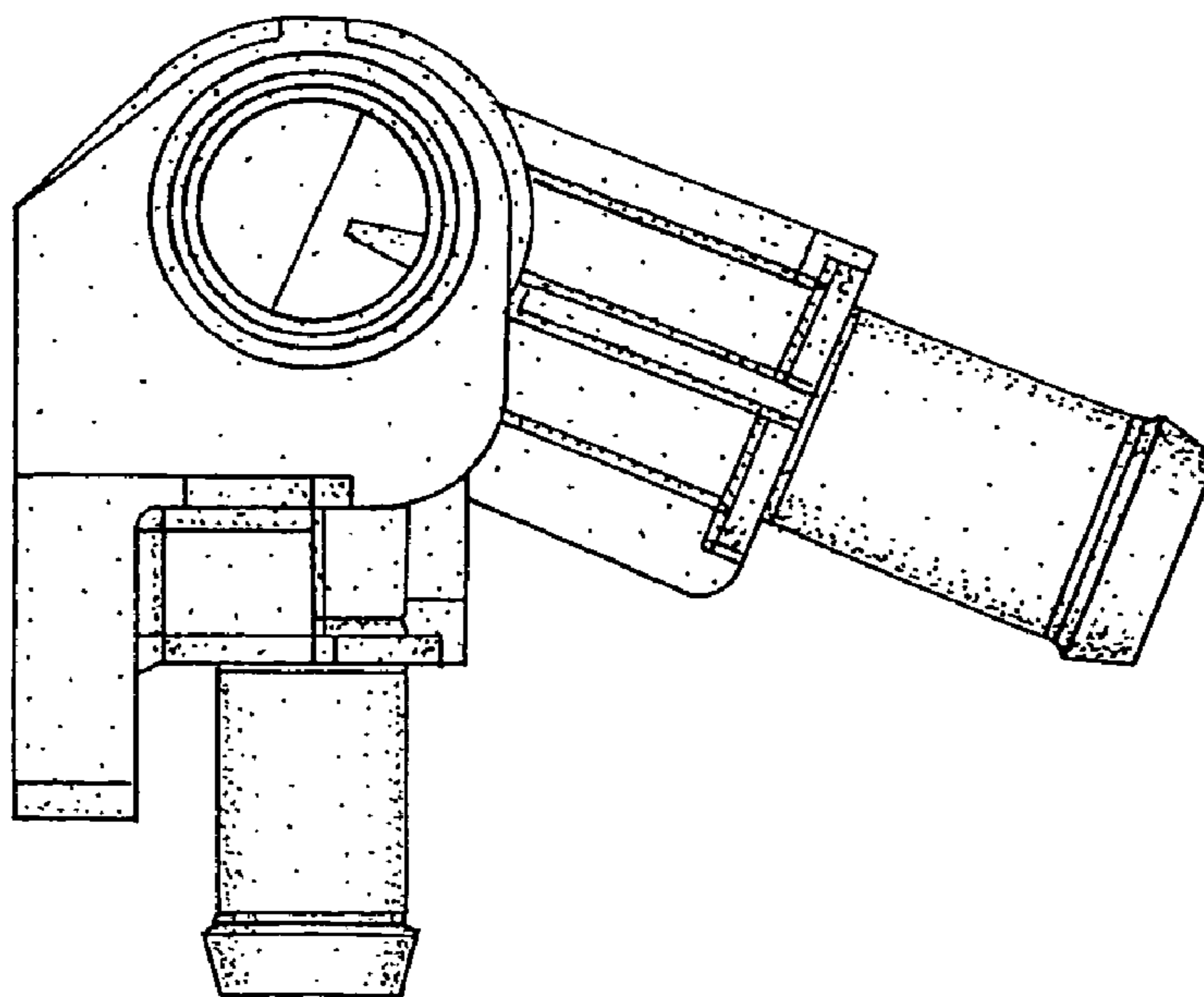


Fig. 9

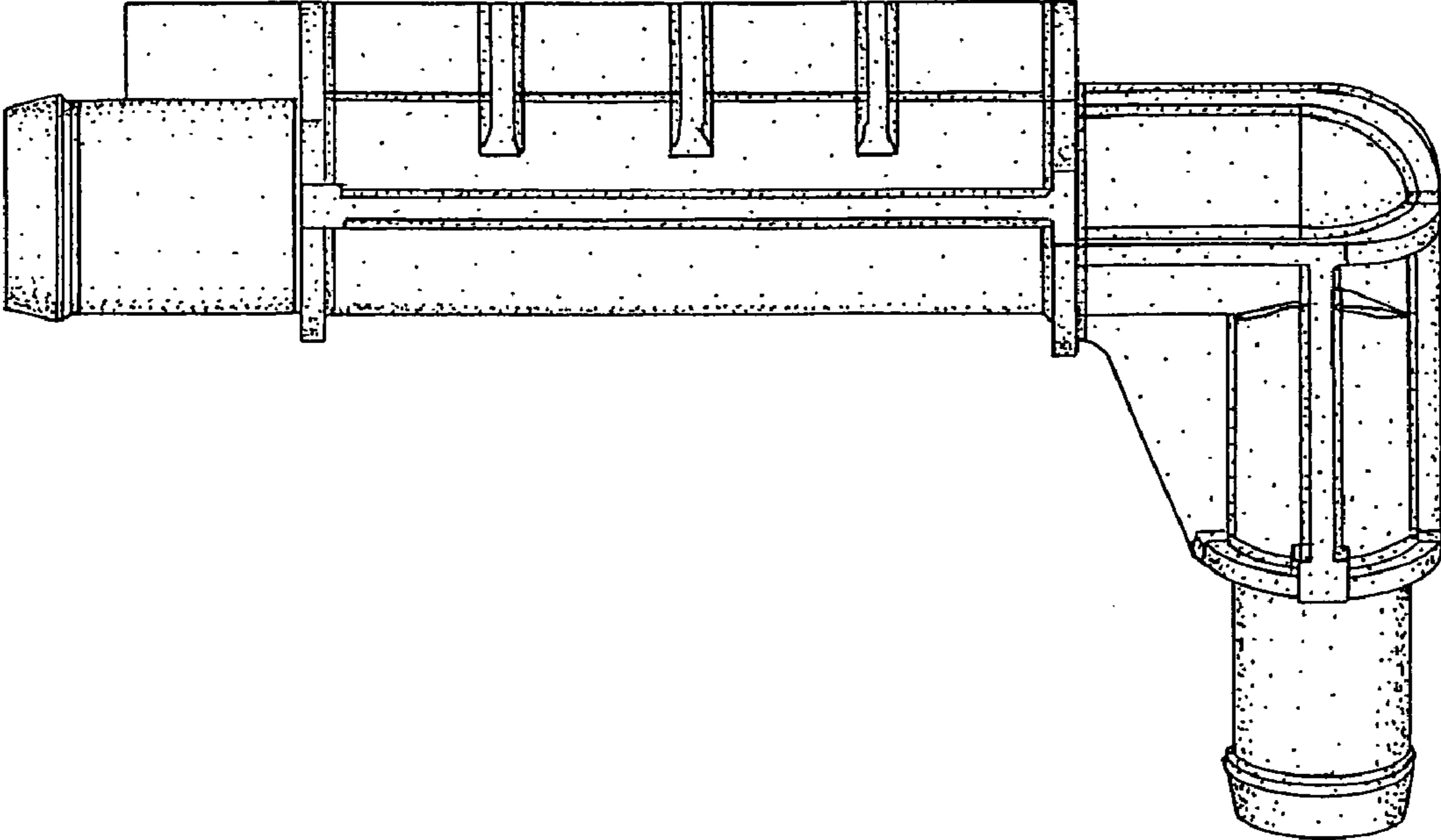


Fig. 10

