

US00D660800S

(12) **United States Design Patent**
Kreitzer et al.

(10) **Patent No.:** **US D660,800 S**

(45) **Date of Patent:** **** May 29, 2012**

(54) **PLUG FOR ACCESSORY-HOST INTERFACE**

(75) Inventors: **Robert R. Kreitzer**, Tigard, OR (US); **J. Steven Lyford**, Portland, OR (US)

(73) Assignee: **Tektronix, Inc.**, Beaverton, OR (US)

(**) Term: **14 Years**

(21) Appl. No.: **29/382,266**

(22) Filed: **Dec. 30, 2010**

(51) **LOC (9) Cl.** **13-03**

(52) **U.S. Cl.** **D13/133; D13/154**

(58) **Field of Classification Search** D13/133,
D13/134, 135, 147, 154, 184, 199; D14/217,
D14/356, 358, 369, 383, 385, 432, 433, 439,
D14/440, 447, 454; D10/76, 78, 80; 439/180,
439/246, 252, 278, 374, 378, 379, 380, 381,
439/527, 529, 530, 533, 892, 894, 630
See application file for complete search history.

(56) **References Cited**

U.S. PATENT DOCUMENTS

D370,889 S * 6/1996 Anthony D13/146
D460,371 S * 7/2002 Wisley et al. D10/78
D514,004 S * 1/2006 Wisley D10/76

D556,066 S * 11/2007 Hoang et al. D10/76
D566,046 S * 4/2008 Gabel et al. D13/154
D566,047 S * 4/2008 Gabel et al. D13/154
D643,841 S * 8/2011 Lyford et al. D14/433
D649,970 S * 12/2011 Lyford et al. D14/433
D649,971 S * 12/2011 Lyford et al. D14/433

* cited by examiner

Primary Examiner — Daniel Bui

(74) *Attorney, Agent, or Firm* — William K. Bucher

(57) **CLAIM**

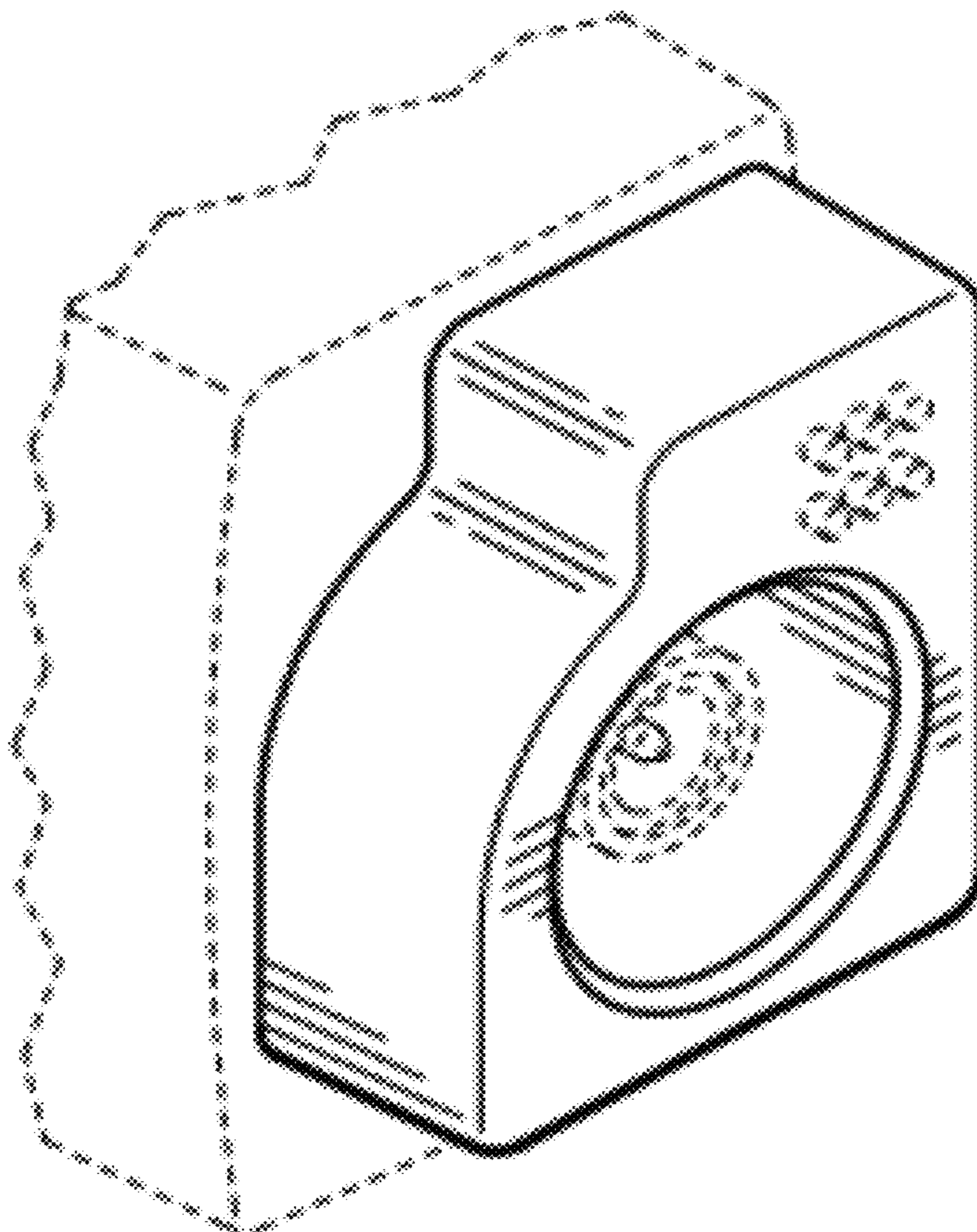
The ornamental design for a plug for accessory-host interface, as shown and described.

DESCRIPTION

FIG. 1 is a front perspective view of a plug for accessory-host interface showing our new design;
FIG. 2 is a top plan view thereof;
FIG. 3 is a left side elevation view thereof;
FIG. 4 is a bottom plan view thereof;
FIG. 5 is a right side elevation view thereof; and,
FIG. 6 is a front elevation view thereof.

The broken line portion of the figure drawings is included for the purpose of illustrating environment and forms no part of the claimed design.

1 Claim, 1 Drawing Sheet



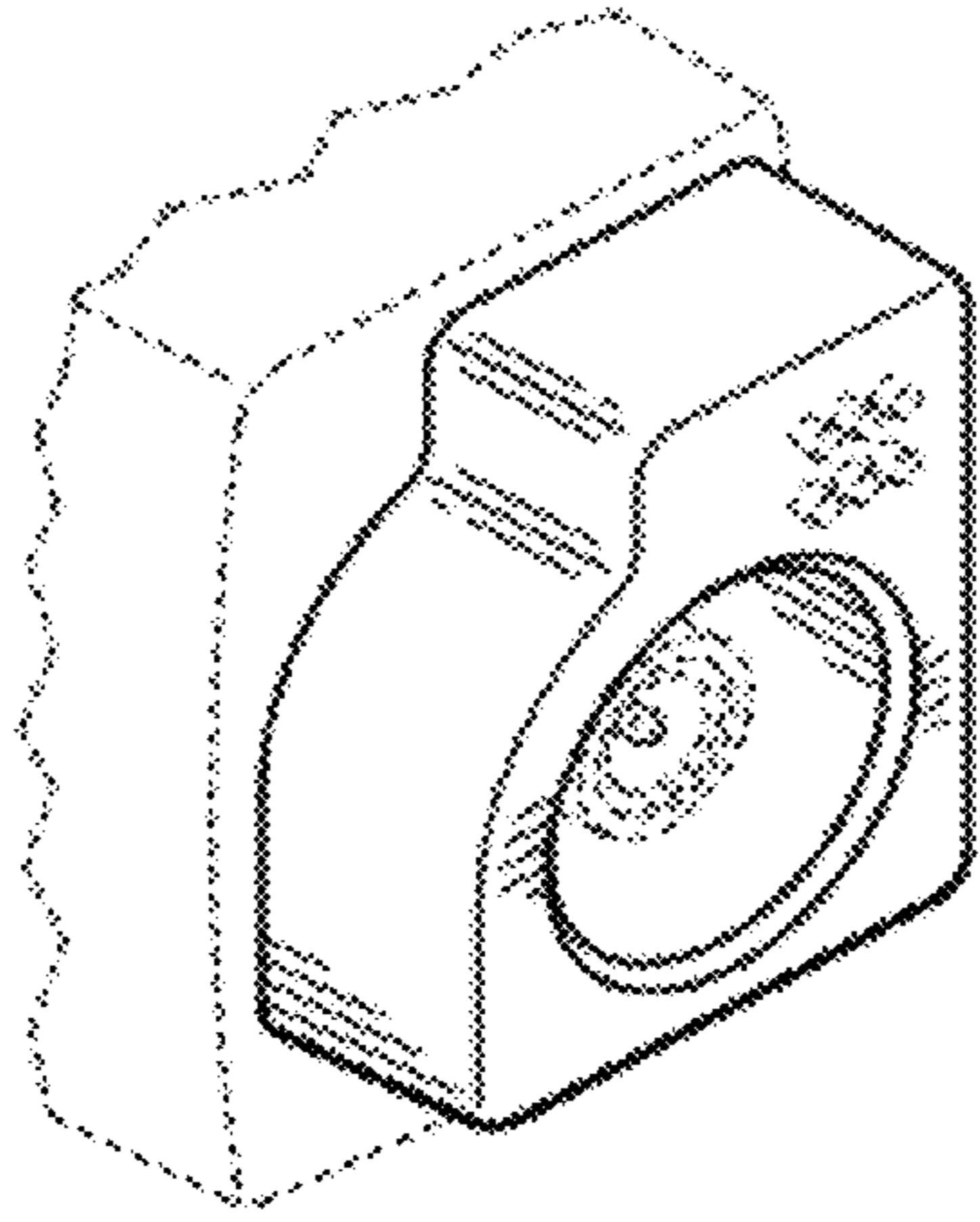


Figure 1

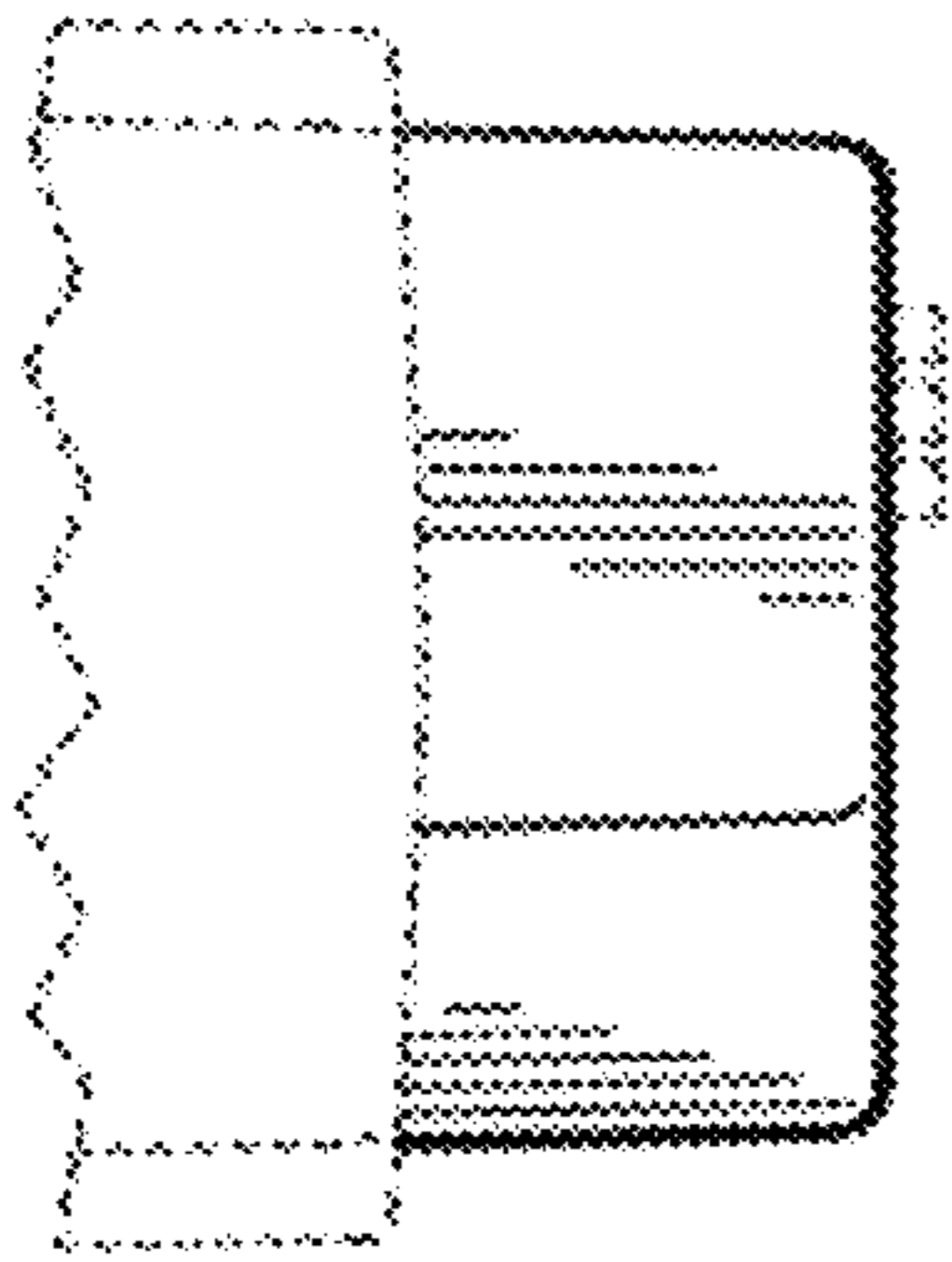


Figure 2

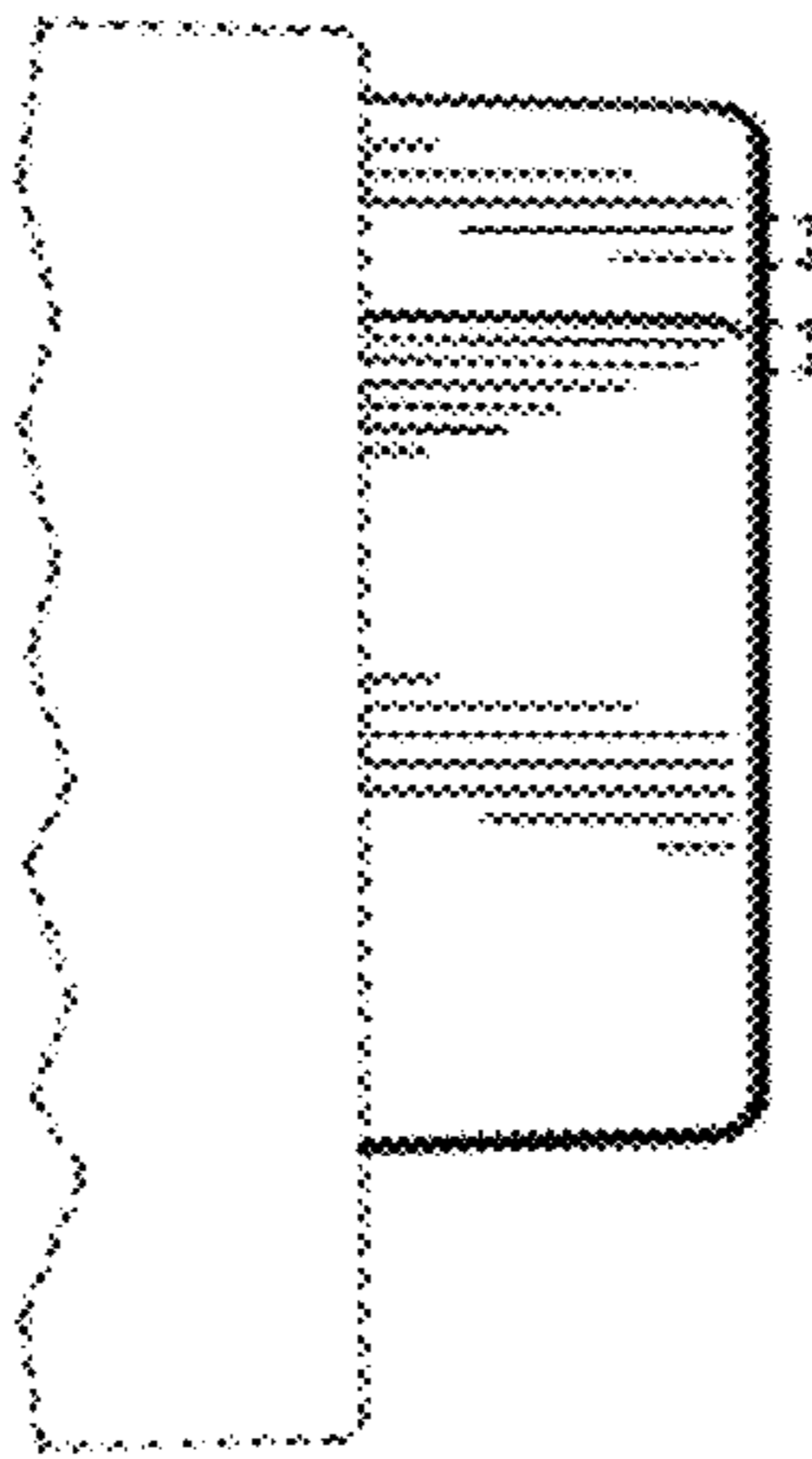


Figure 3

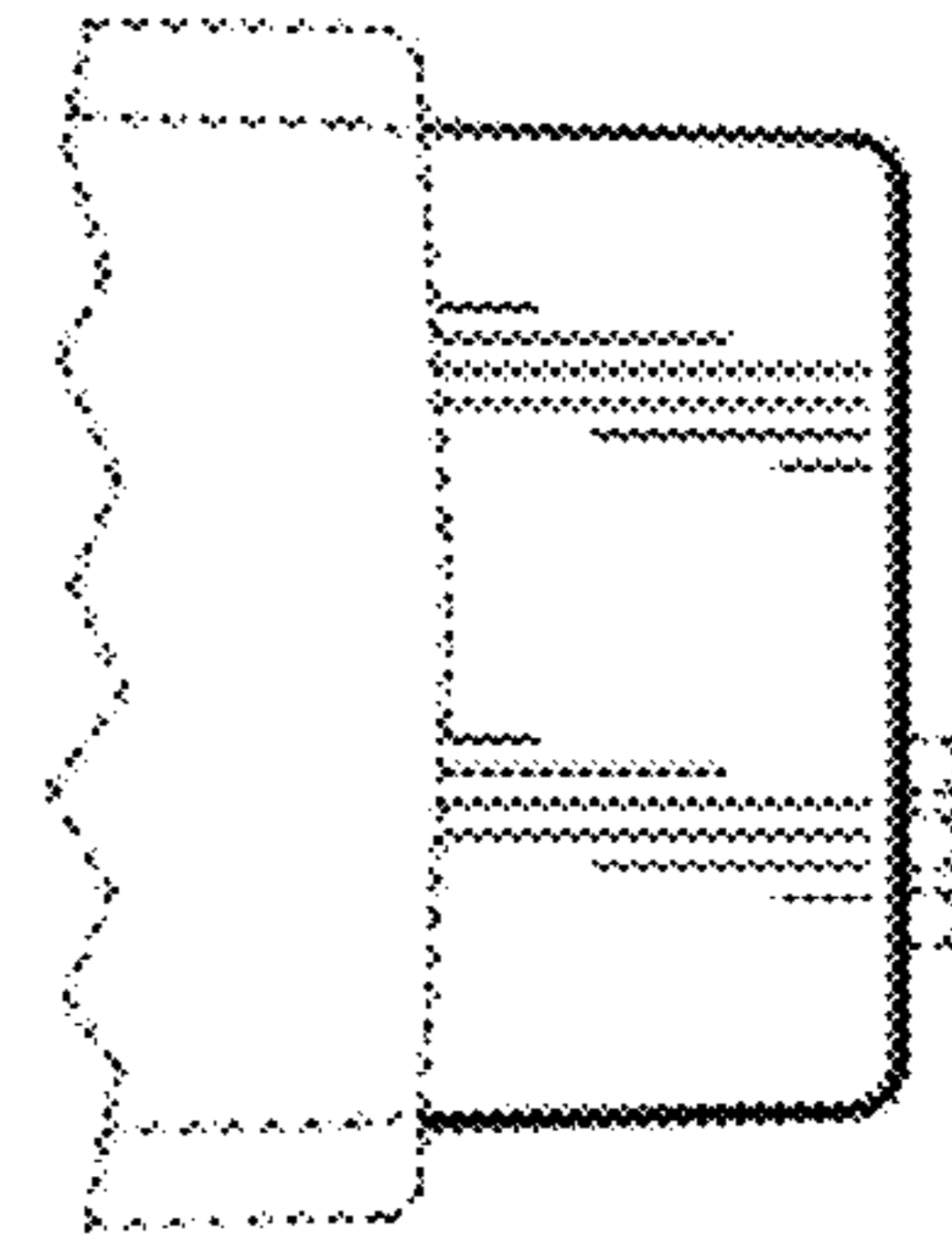


Figure 4

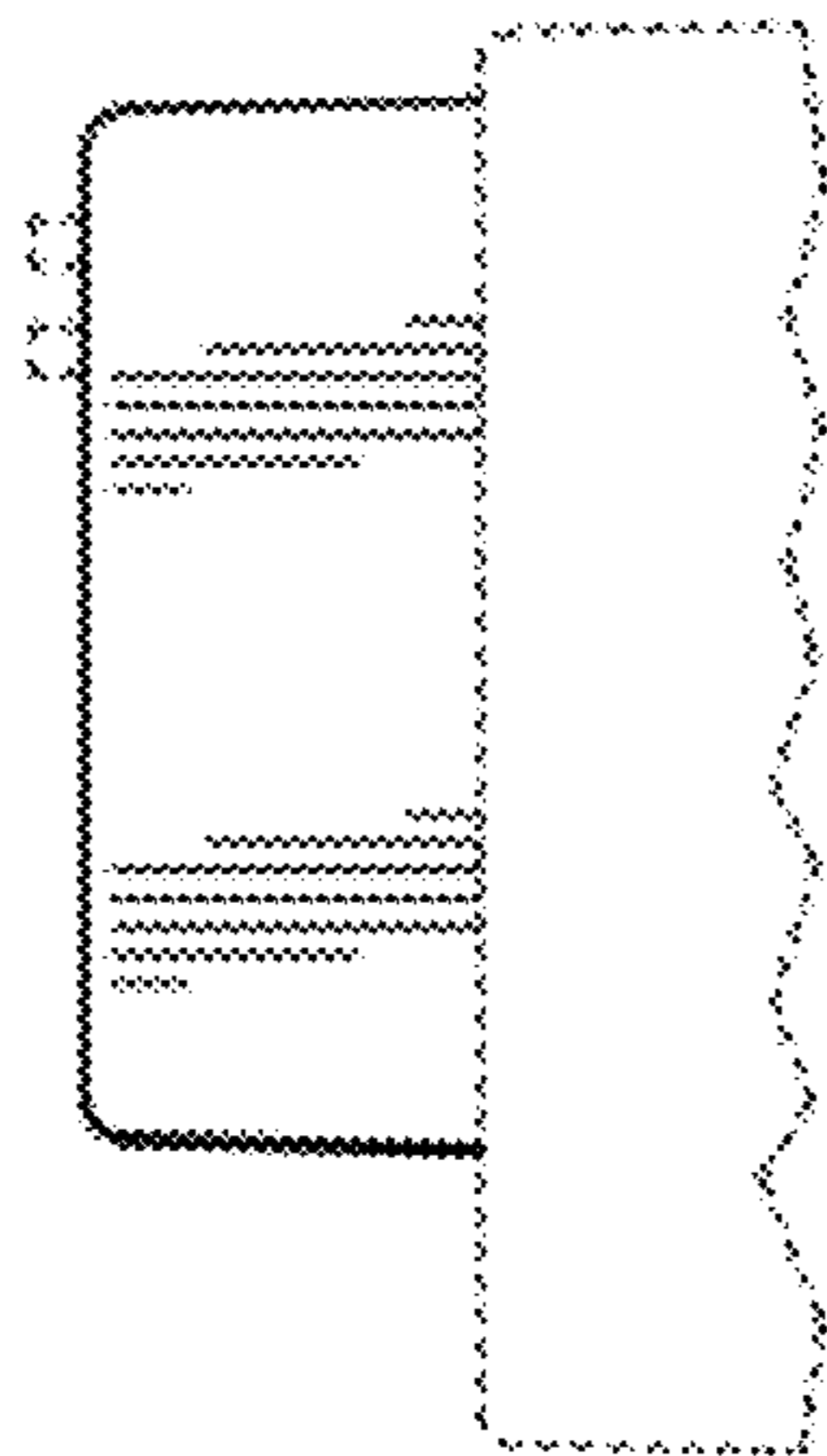


Figure 5

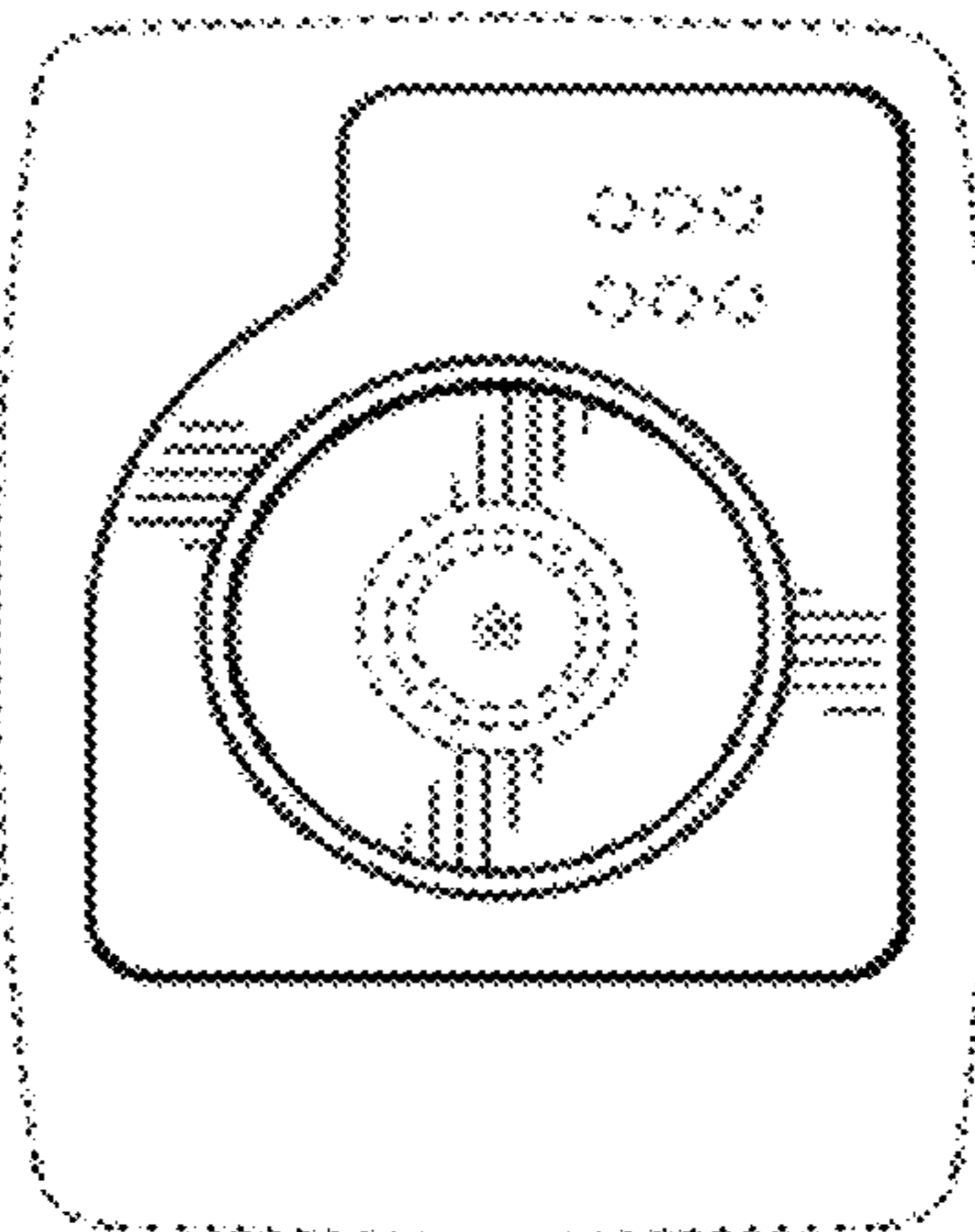


Figure 6