



US00D660798S

(12) **United States Design Patent**
Tseng

(10) **Patent No.:** **US D660,798 S**

(45) **Date of Patent:** **** May 29, 2012**

(54) **ELECTRIC CONTROLLER**

(75) Inventor: **Kuan-Shu Tseng**, New Taipei (TW)

(73) Assignee: **Timotion Technology Co. Ltd.**, New Taipei (TW)

(**) Term: **14 Years**

(21) Appl. No.: **29/408,200**

(22) Filed: **Dec. 8, 2011**

(51) **LOC (9) Cl.** **13-02**

(52) **U.S. Cl.** **D13/110**

(58) **Field of Classification Search** D13/110,
D13/101, 118, 133, 147, 158, 160, 162, 162.1,
D13/164, 184; D14/356, 357, 367, 388;
307/31, 149; 323/207, 211, 295; 361/627,
361/679.01, 679.02, 732, 752; 439/189;
700/286

See application file for complete search history.

(56) **References Cited**

U.S. PATENT DOCUMENTS

D287,848 S *	1/1987	Keely et al.	D13/110
D363,269 S *	10/1995	Riley et al.	D13/133
D503,679 S *	4/2005	Andre et al.	D13/110
D559,178 S *	1/2008	Ashida et al.	D13/110

D561,094 S *	2/2008	Sween et al.	D13/110
D570,772 S *	6/2008	Mahaffey et al.	D13/110
D575,730 S *	8/2008	Hung	D13/110
D630,580 S *	1/2011	Pape et al.	D13/110

* cited by examiner

Primary Examiner — Derrick Holland

(74) *Attorney, Agent, or Firm* — Chun-Ming Shih; HDLS IPR Services

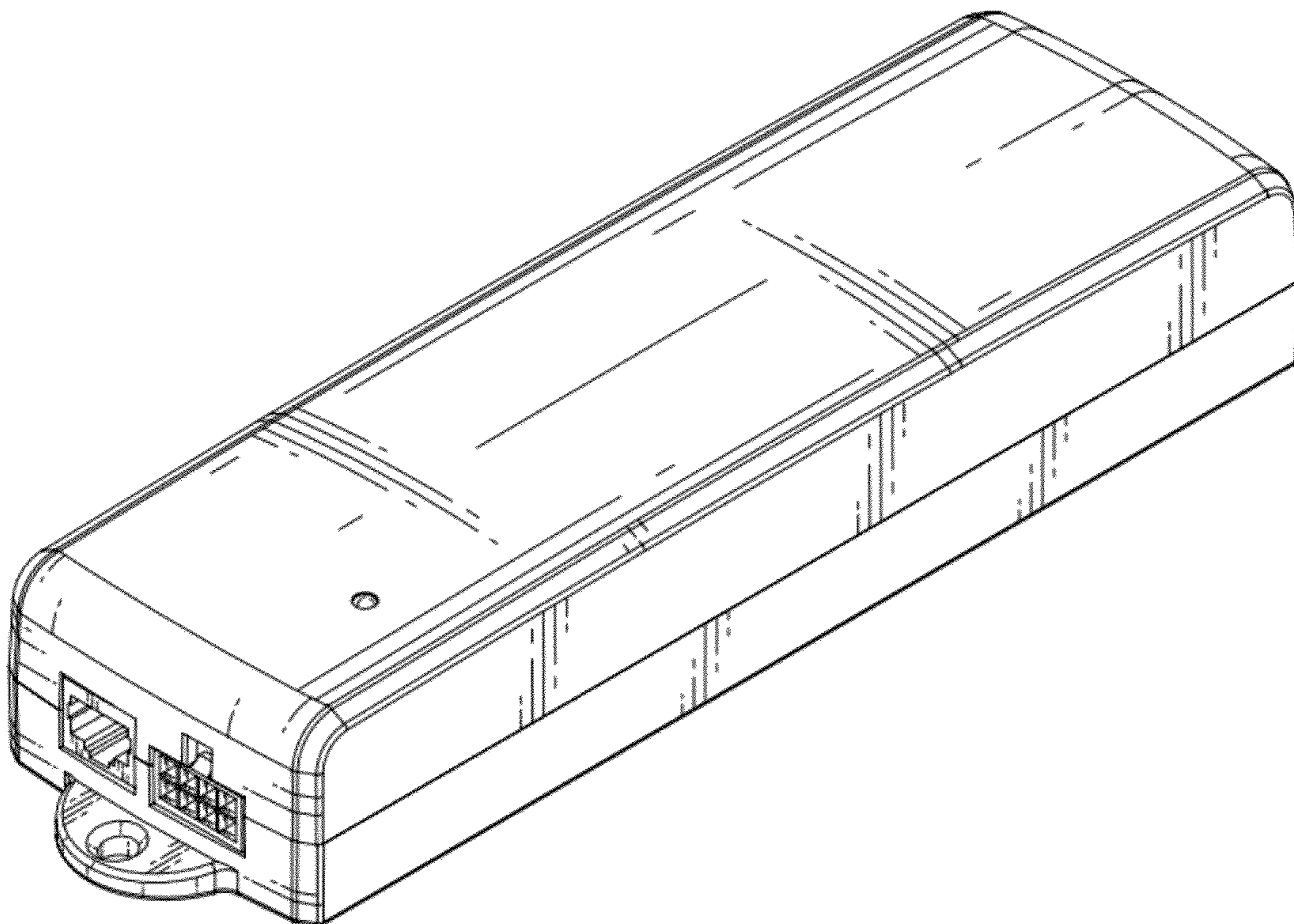
(57) **CLAIM**

The ornamental design for an electric controller, as shown and described.

DESCRIPTION

FIG. 1 is a perspective view of an electric controller showing my new design;
FIG. 2 is a front view thereof;
FIG. 3 is a rear view thereof;
FIG. 4 is a left side view thereof;
FIG. 5 is a right side view thereof;
FIG. 6 is a top view thereof;
FIG. 7 is a bottom view thereof; and,
FIG. 8 is second perspective view thereof.
The broken lines shown represent unclaimed subject matter and form no part of the claimed design.

1 Claim, 6 Drawing Sheets



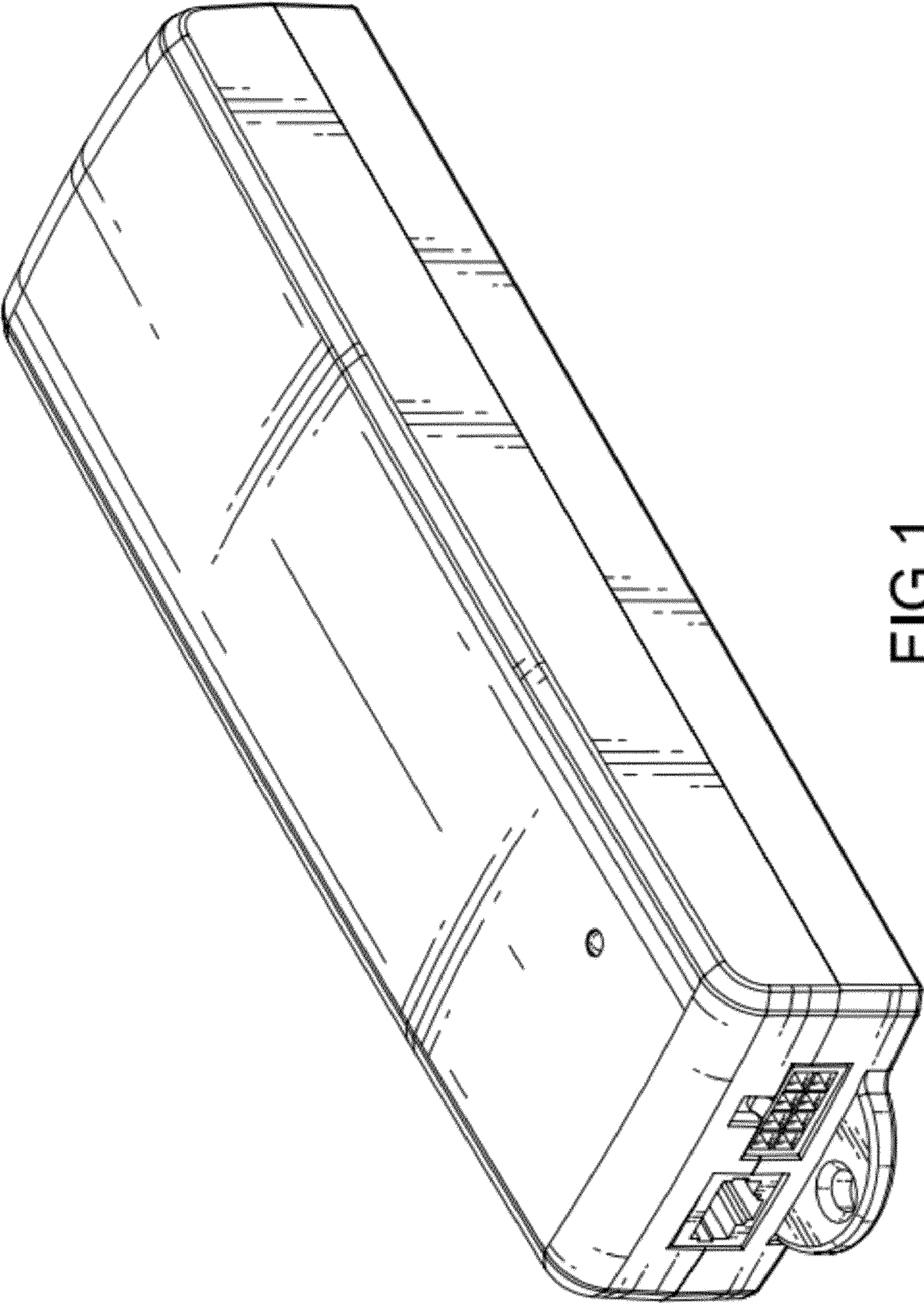


FIG.1

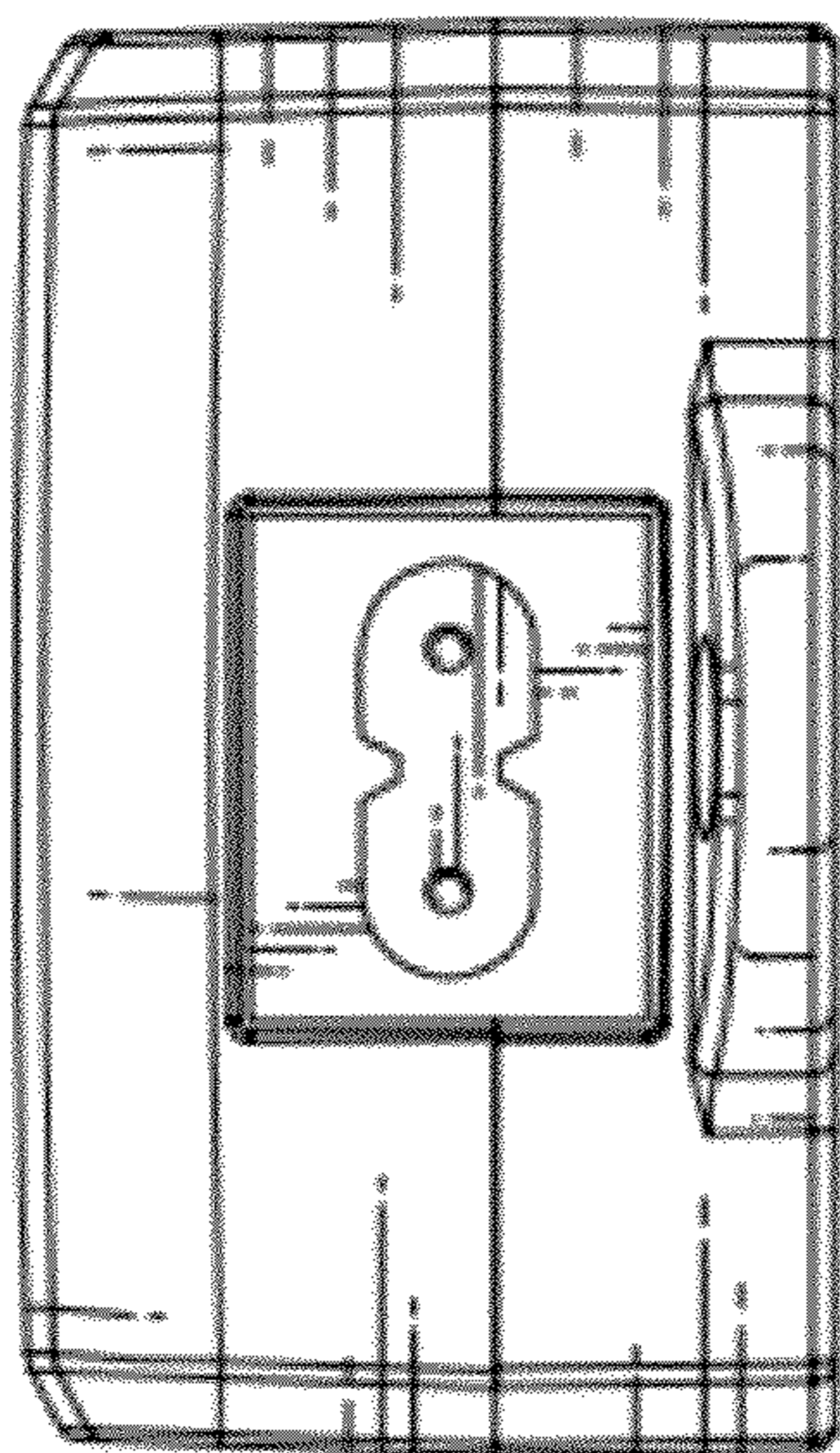


FIG. 2

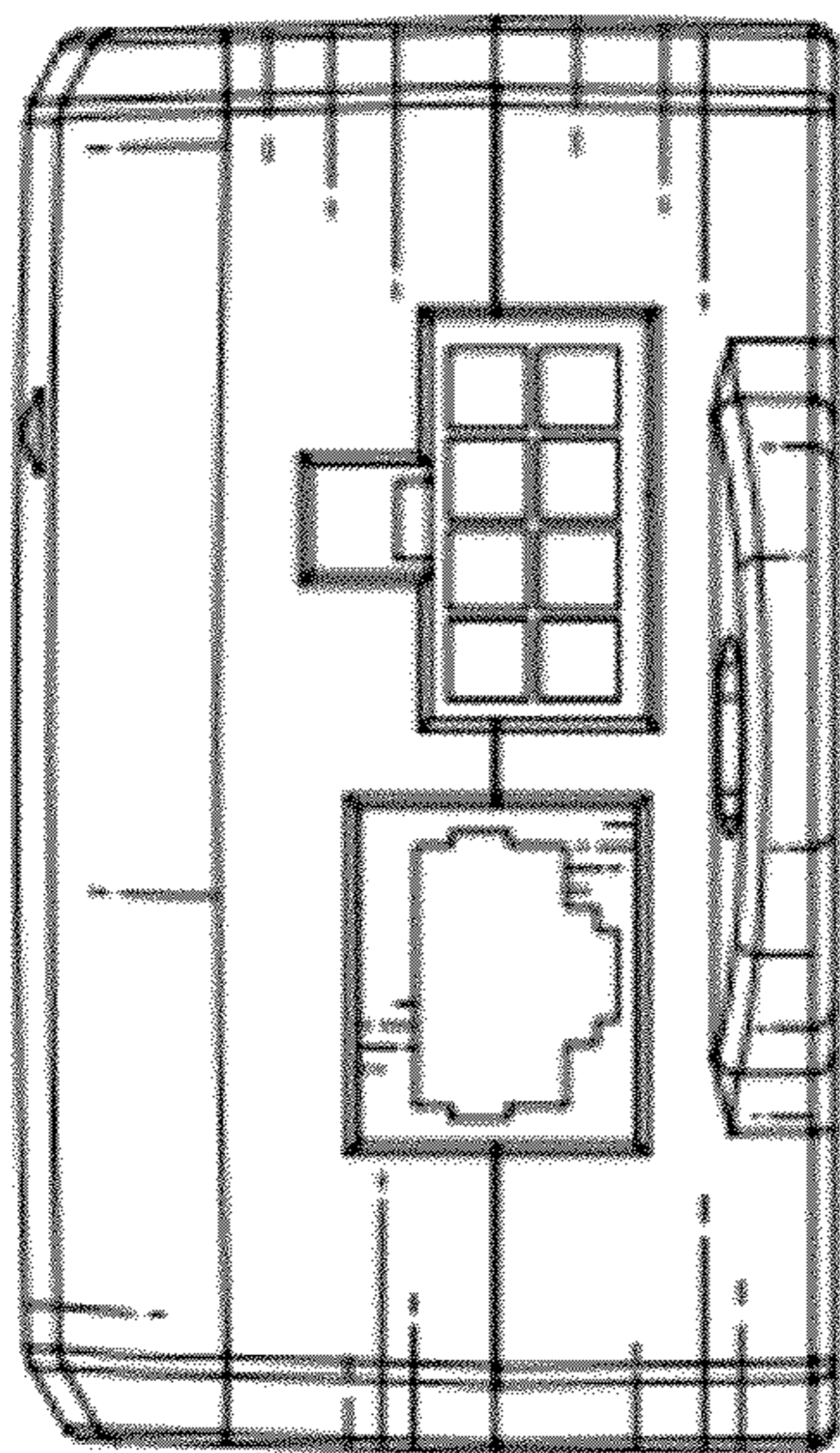


FIG. 3

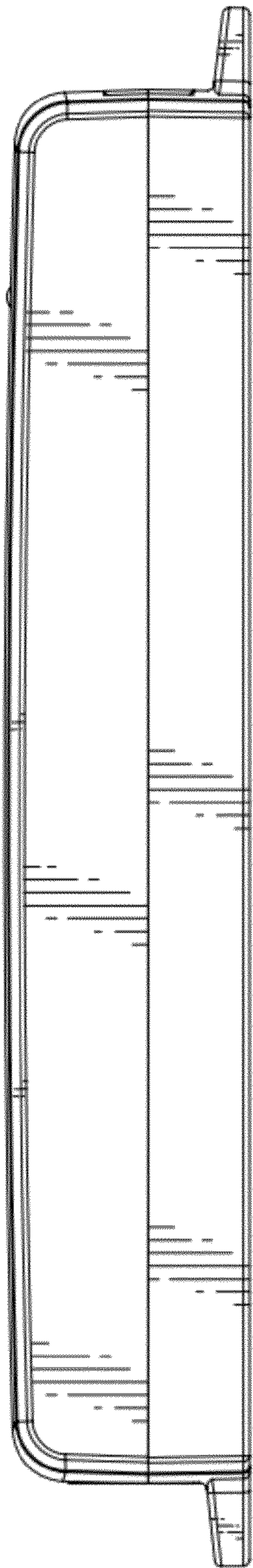


FIG. 4

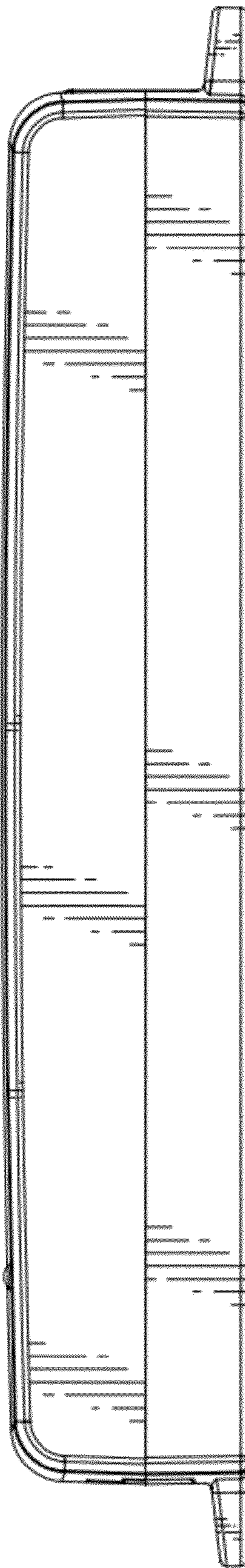


FIG. 5

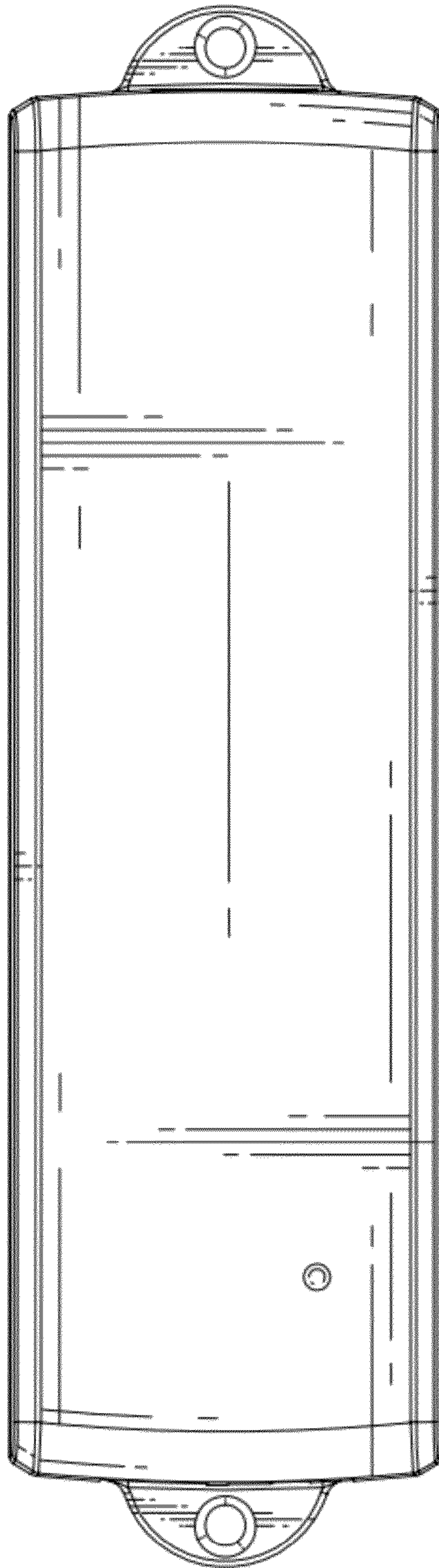


FIG.6

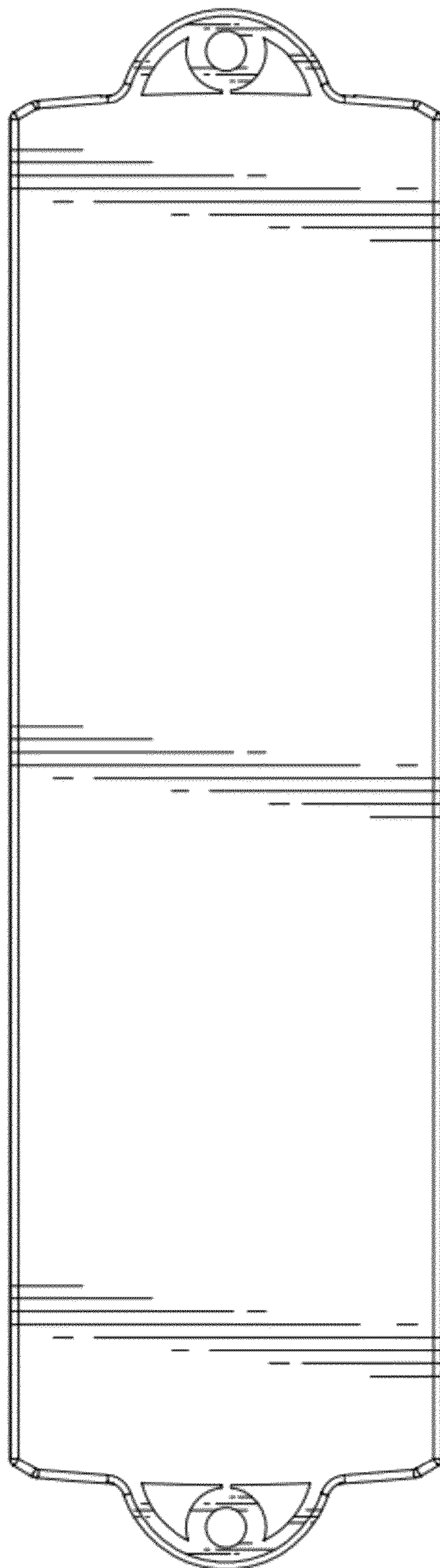


FIG.7

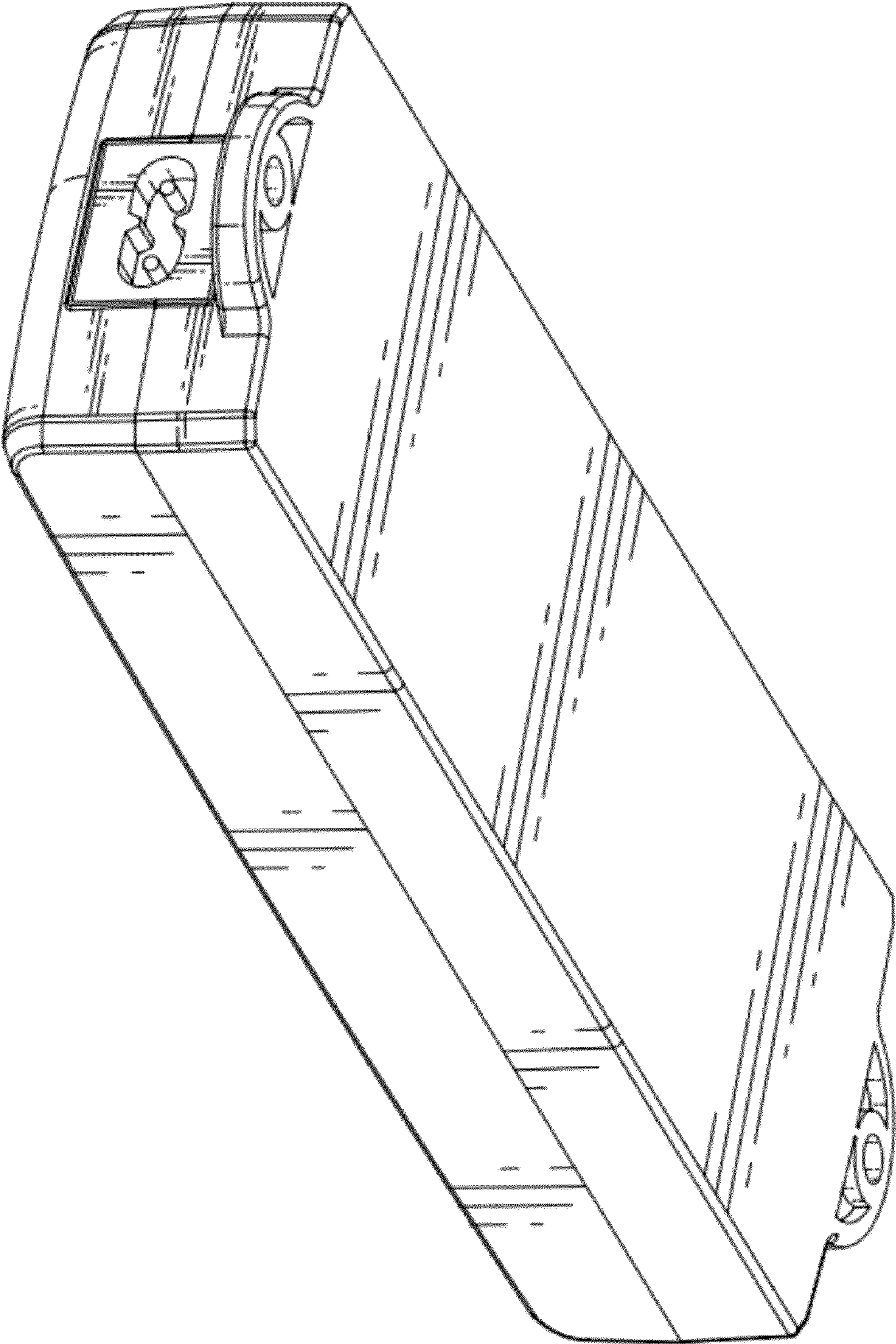


FIG. 8