

US00D660797S

(12) **United States Design Patent**
Wu

(10) **Patent No.:** **US D660,797 S**
(45) **Date of Patent:** **** May 29, 2012**

(54) **POWER ADAPTER**

(75) Inventor: **Chou-Hsin Wu**, New Taipei (TW)

(73) Assignee: **Timotion Technology Co. Ltd.**, New Taipei (TW)

(**) Term: **14 Years**

(21) Appl. No.: **29/402,874**

(22) Filed: **Sep. 28, 2011**

(51) **LOC (9) Cl.** **13-02**

(52) **U.S. Cl.** **D13/110**

(58) **Field of Classification Search** D13/110,
D13/107, 108, 123, 133, 137.1, 138.1, 199;
174/53, 54, 59, 61; 307/150, 151; 320/111,
320/114; 363/132, 140, 142, 143, 146; 439/105,
439/131, 166, 171-173, 218, 518, 692, 956;
D14/240, 251, 253, 432, 433, 434
See application file for complete search history.

(56) **References Cited**

U.S. PATENT DOCUMENTS

D350,113	S	*	8/1994	Nagele	D13/110
D367,257	S	*	2/1996	Buelow et al.	D13/110
5,613,863	A	*	3/1997	Klaus et al.	439/131
D383,115	S	*	9/1997	Nagele et al.	D13/110
6,042,400	A	*	3/2000	Queffelec et al.	439/131
6,086,395	A	*	7/2000	Lloyd et al.	439/172

D428,862	S	*	8/2000	Queffelec et al.	D13/184
6,227,888	B1	*	5/2001	Hahn	439/173
D449,030	S	*	10/2001	Baxter et al.	D13/110
D456,008	S	*	4/2002	Kawanobe et al.	D13/110
D484,853	S	*	1/2004	Alviar	D13/110
D503,679	S	*	4/2005	Andre et al.	D13/110
D568,243	S	*	5/2008	Jidaisho	D13/110
D593,031	S	*	5/2009	Miyatake et al.	D13/110
D638,356	S	*	5/2011	Chen	D13/110

* cited by examiner

Primary Examiner — Derrick Holland

(74) *Attorney, Agent, or Firm* — Chun-Ming Shih; HDLS IPR Services

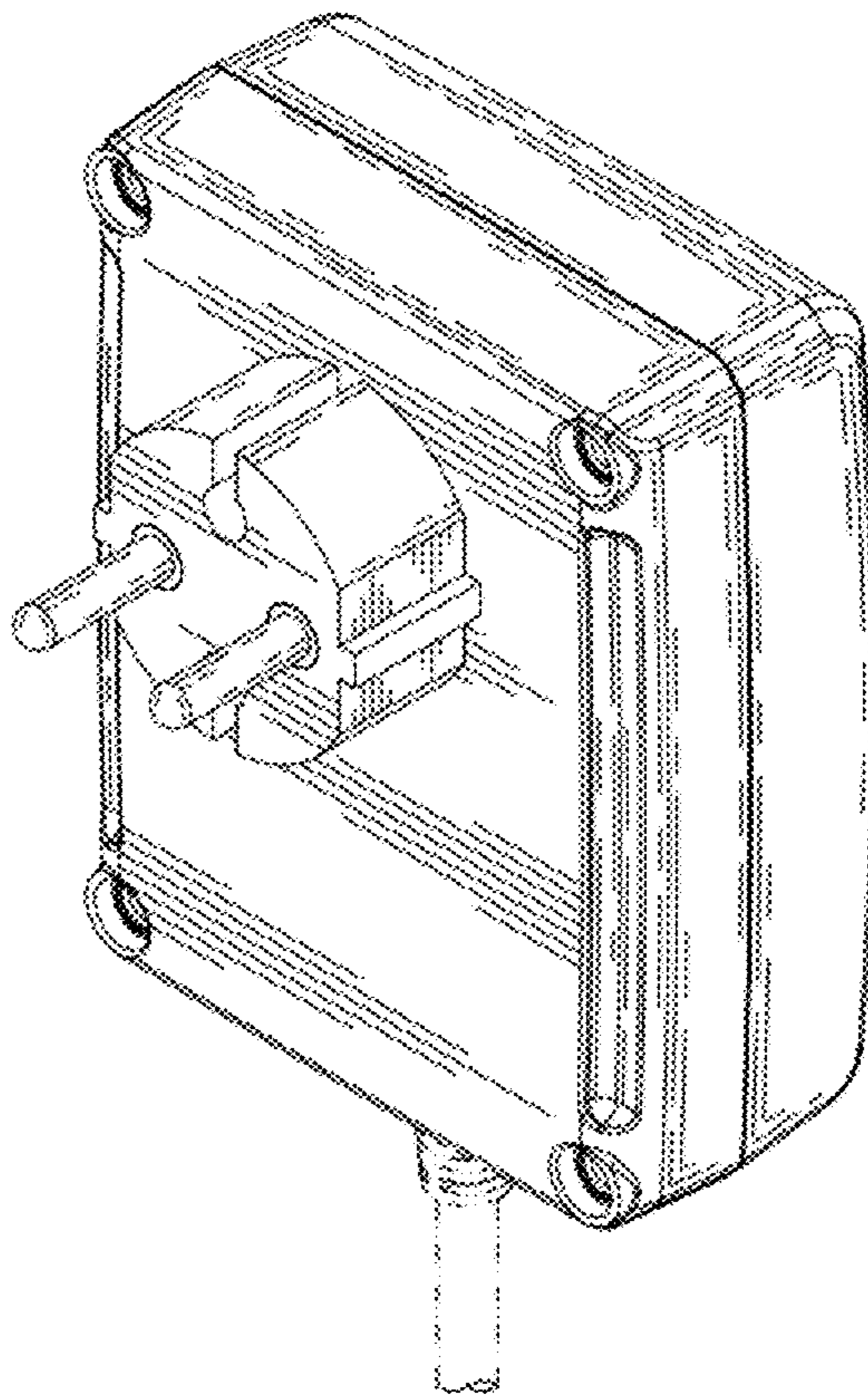
(57) **CLAIM**

The ornamental design for a power adapter, as shown and described.

DESCRIPTION

FIG. 1 is a perspective view of a power adapter showing my new design;
FIG. 2 is a front view thereof;
FIG. 3 is a rear view thereof;
FIG. 4 is a left side view thereof;
FIG. 5 is a right side view thereof;
FIG. 6 is a top view thereof;
FIG. 7 is a bottom view thereof; and,
FIG. 8 is second perspective view thereof.
The broken lines shown represent unclaimed subject matter and form no part of the claimed design.

1 Claim, 7 Drawing Sheets



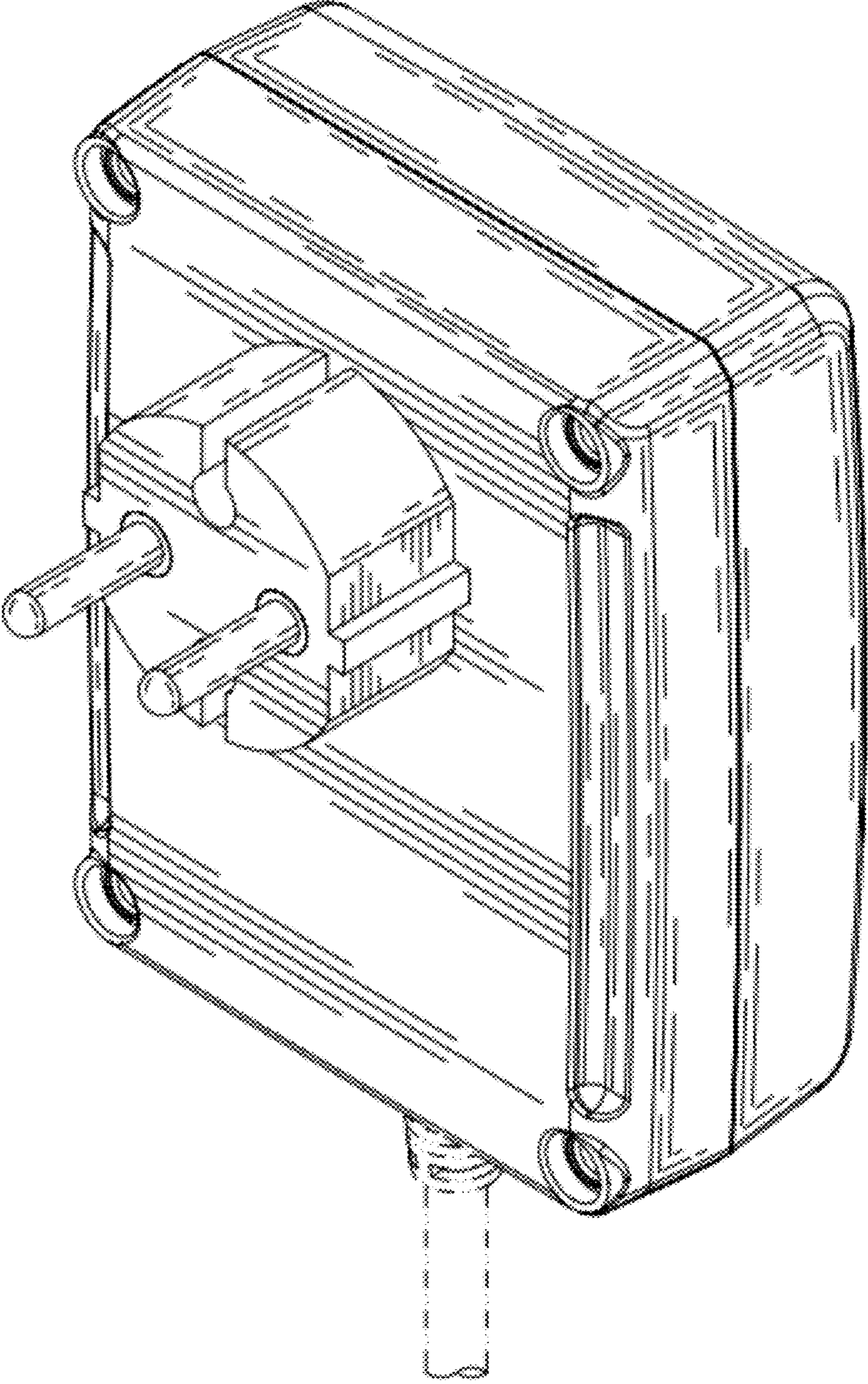


FIG. 1

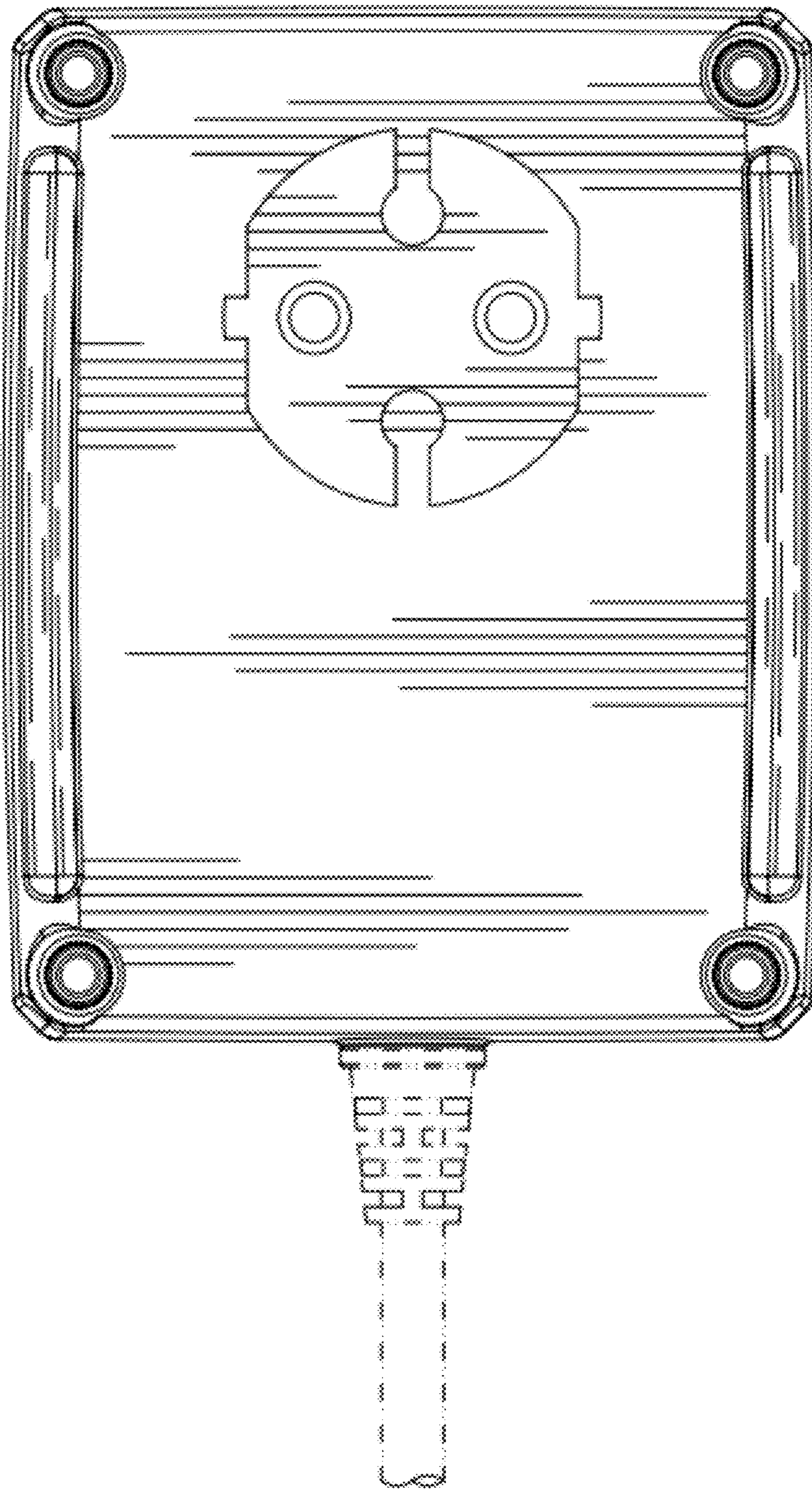


FIG.2

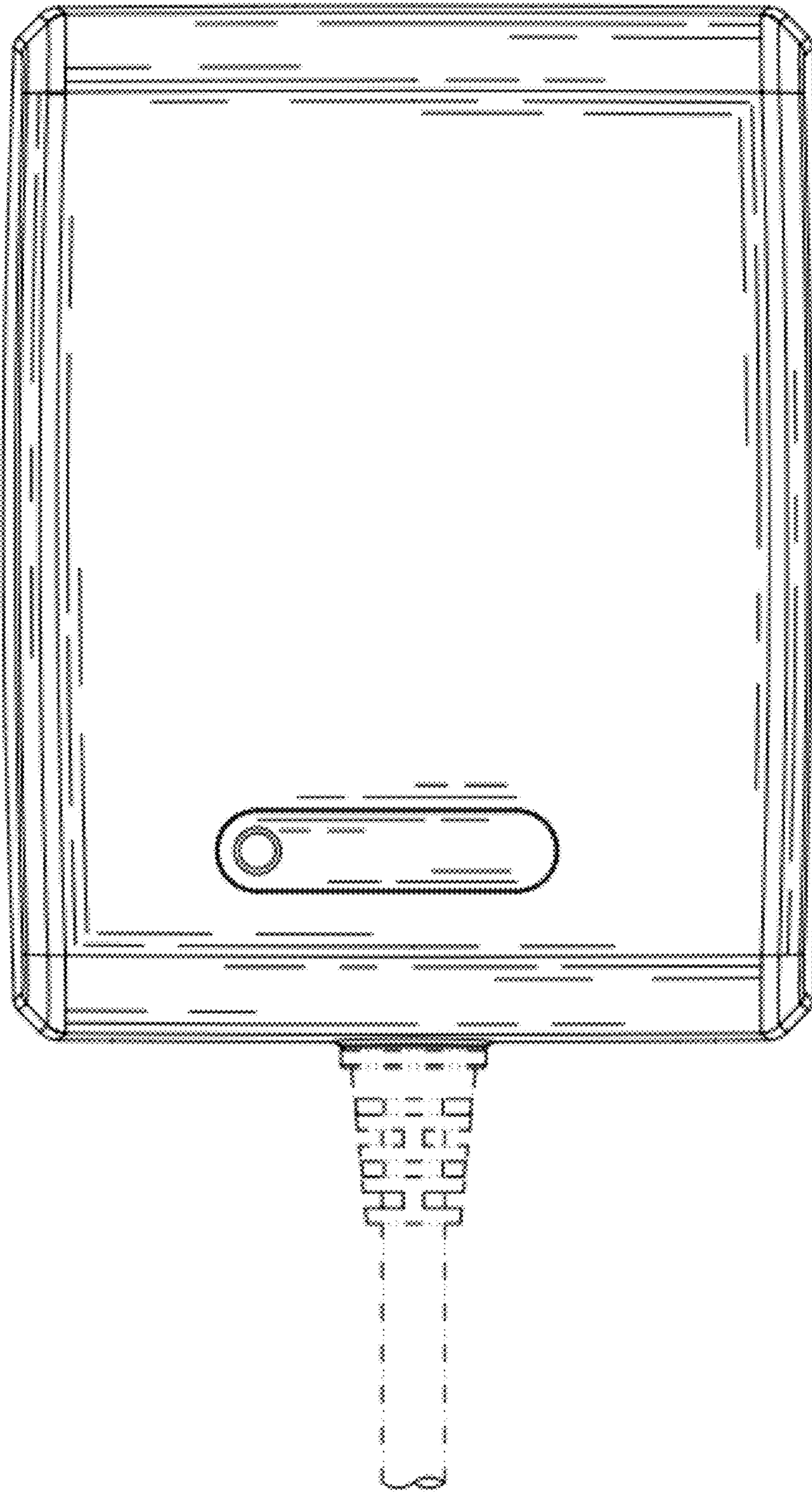


FIG. 3

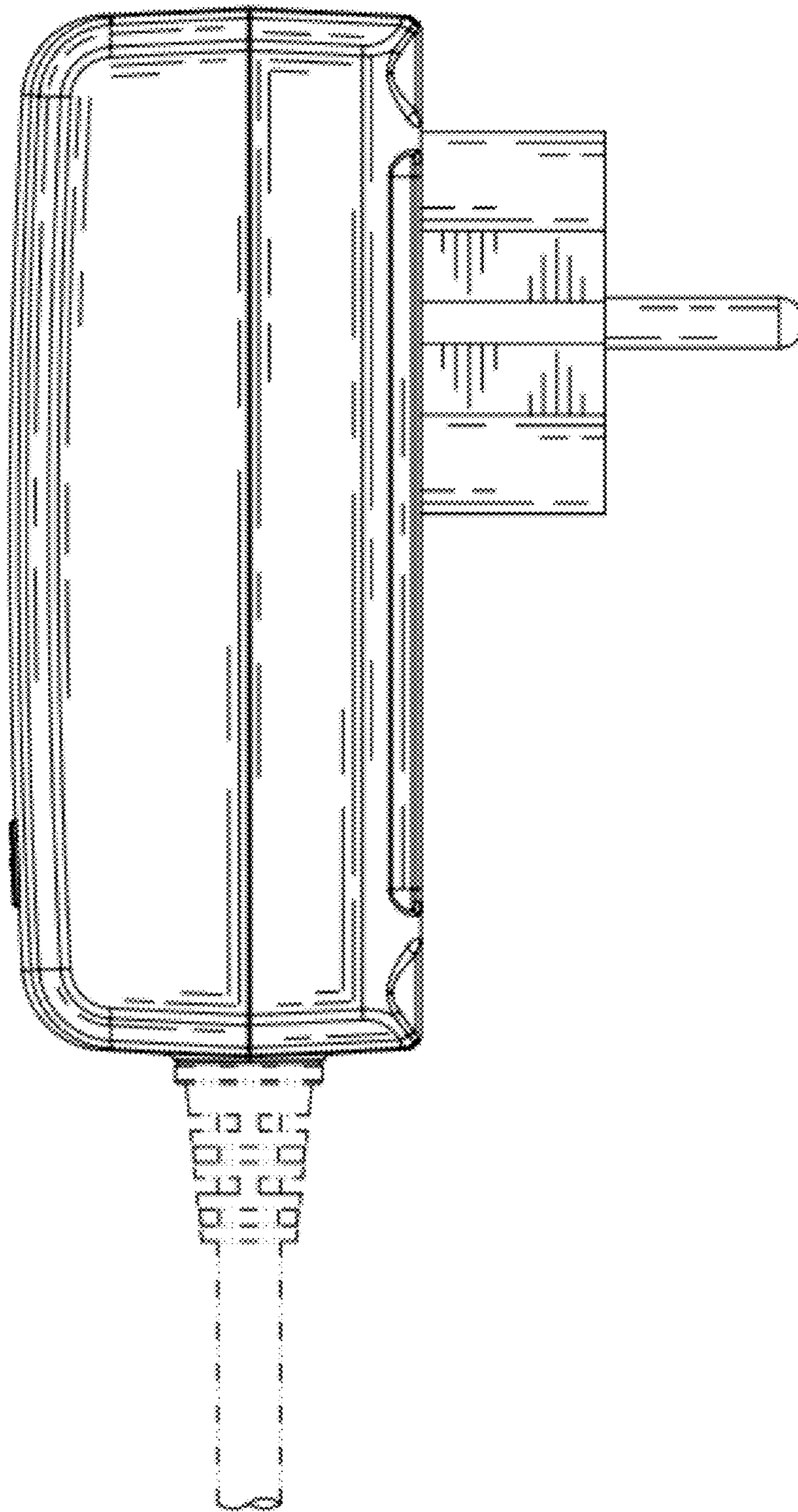


FIG.4

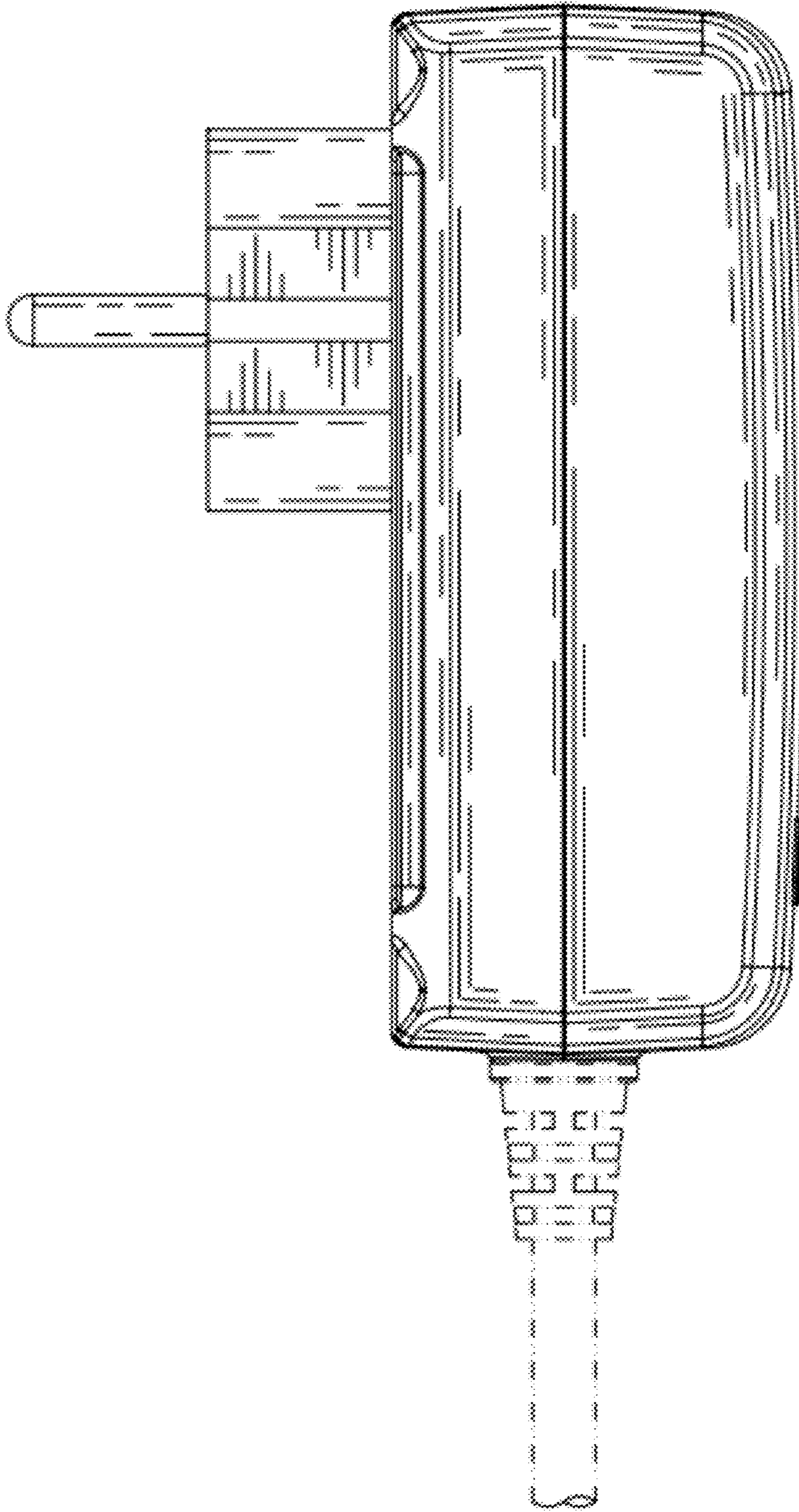


FIG.5

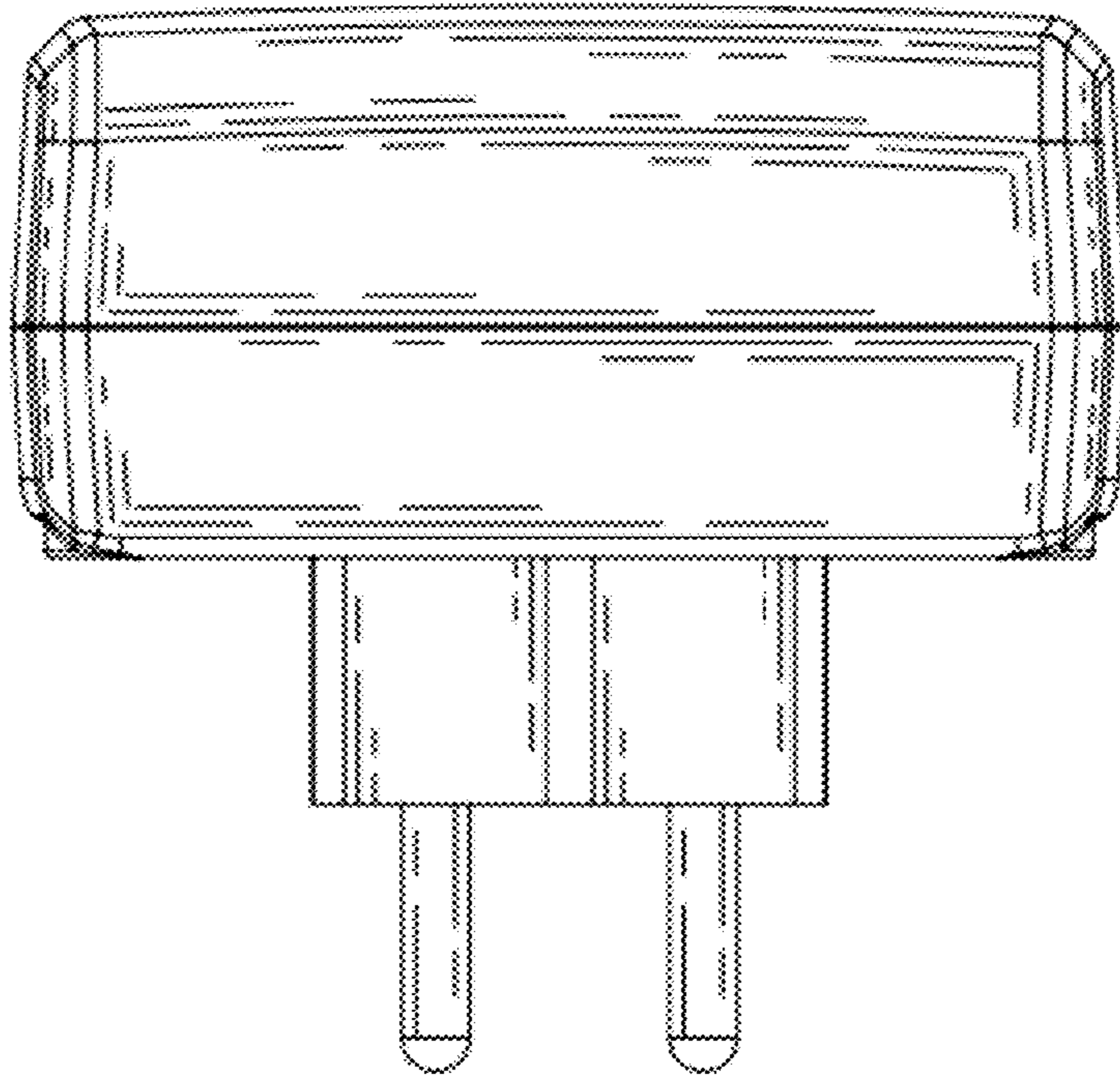


FIG. 6

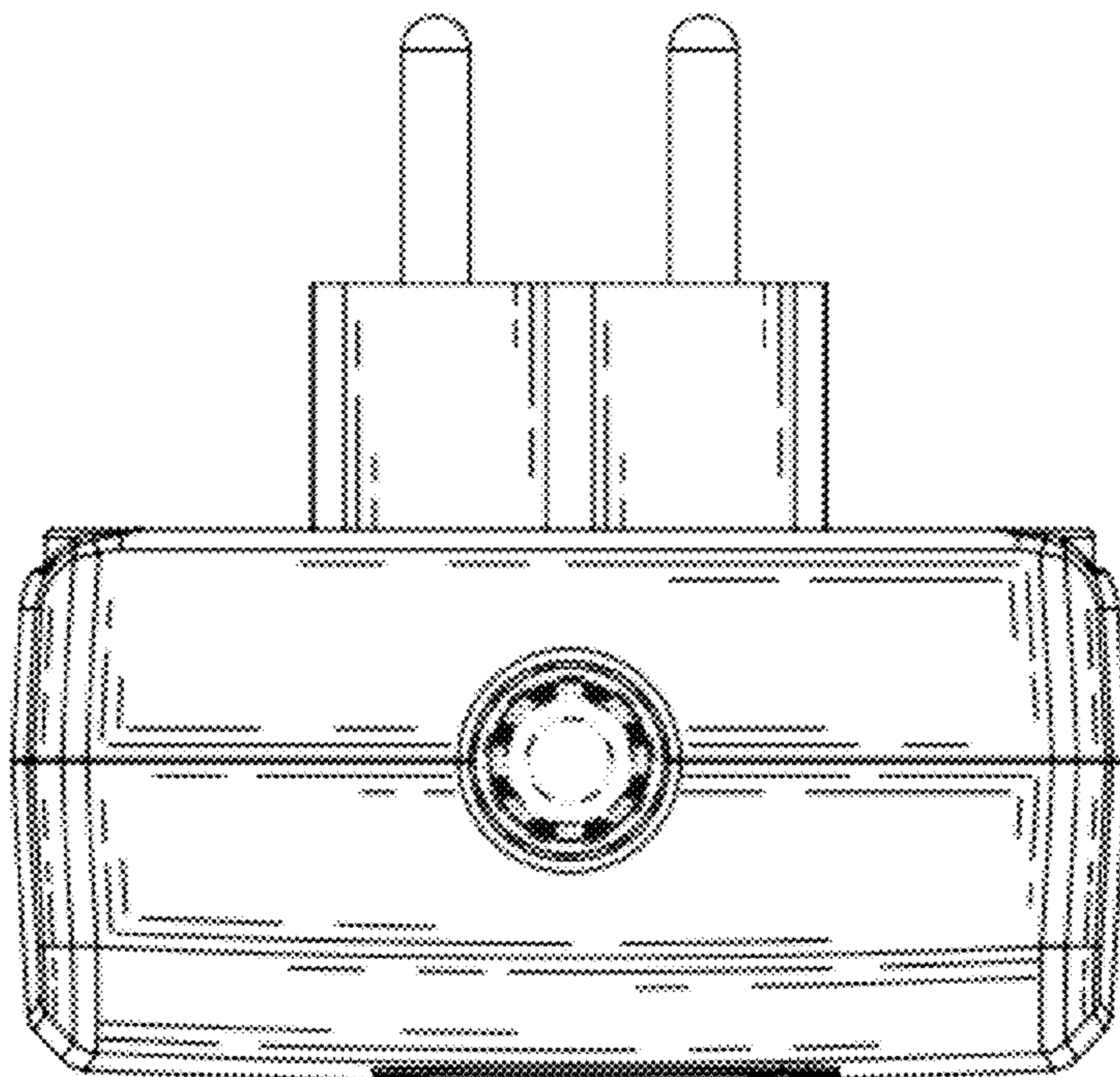


FIG. 7

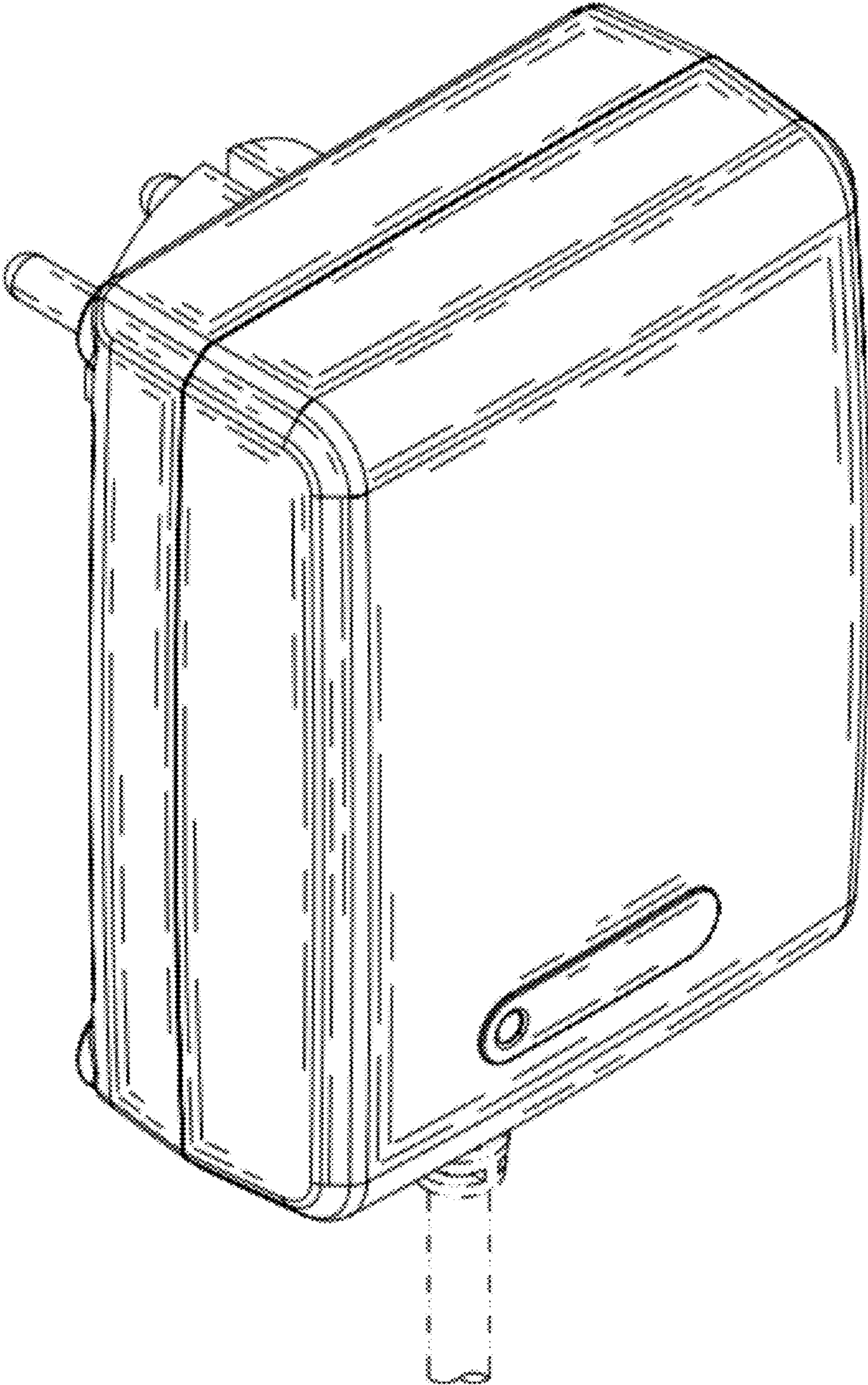


FIG.8