



US00D660796S

(12) **United States Design Patent**
Wen et al.

(10) **Patent No.:** **US D660,796 S**

(45) **Date of Patent:** **** May 29, 2012**

(54) **POWER ADAPTER**

(75) Inventors: **Ping-Hung Wen**, Taoyuan Hsien (TW);
Chun-Chen Chen, Taoyuan Hsien (TW)

(73) Assignee: **Delta Electronics, Inc.**, Taoyuan Hsien (TW)

(**) Term: **14 Years**

(21) Appl. No.: **29/397,021**

(22) Filed: **Jul. 11, 2011**

(51) **LOC (9) Cl.** **13-02**

(52) **U.S. Cl.** **D13/110**

(58) **Field of Classification Search** D13/110,
D13/107, 108, 123, 133, 137.1, 138.1, 199;
174/53, 54, 59, 61; 307/150, 151; 320/111,
320/114; 363/132, 140, 142, 143, 146; 439/105,
439/131, 166, 171-173, 218, 518, 692, 956;
D14/240, 251, 253, 432, 433, 434
See application file for complete search history.

(56) **References Cited**

U.S. PATENT DOCUMENTS

D432,497 S *	10/2000	Totsuka et al.	D13/110
D452,842 S *	1/2002	Kajiwara et al.	D13/110
D454,110 S *	3/2002	Andre et al.	D13/110
D481,674 S *	11/2003	Sade et al.	D13/108
D517,985 S *	3/2006	Hirabayashi et al.	D13/110
D573,946 S *	7/2008	Ledbetter et al.	D13/110
D583,318 S *	12/2008	Kagami et al.	D13/108
D595,224 S *	6/2009	Seil et al.	D13/110
D601,500 S *	10/2009	Green et al.	D13/110
D611,409 S *	3/2010	Green et al.	D13/110
D642,524 S *	8/2011	Fitch et al.	D13/110

* cited by examiner

Primary Examiner — Derrick Holland

(74) *Attorney, Agent, or Firm* — Kirton McConkie; Evan R. Witt

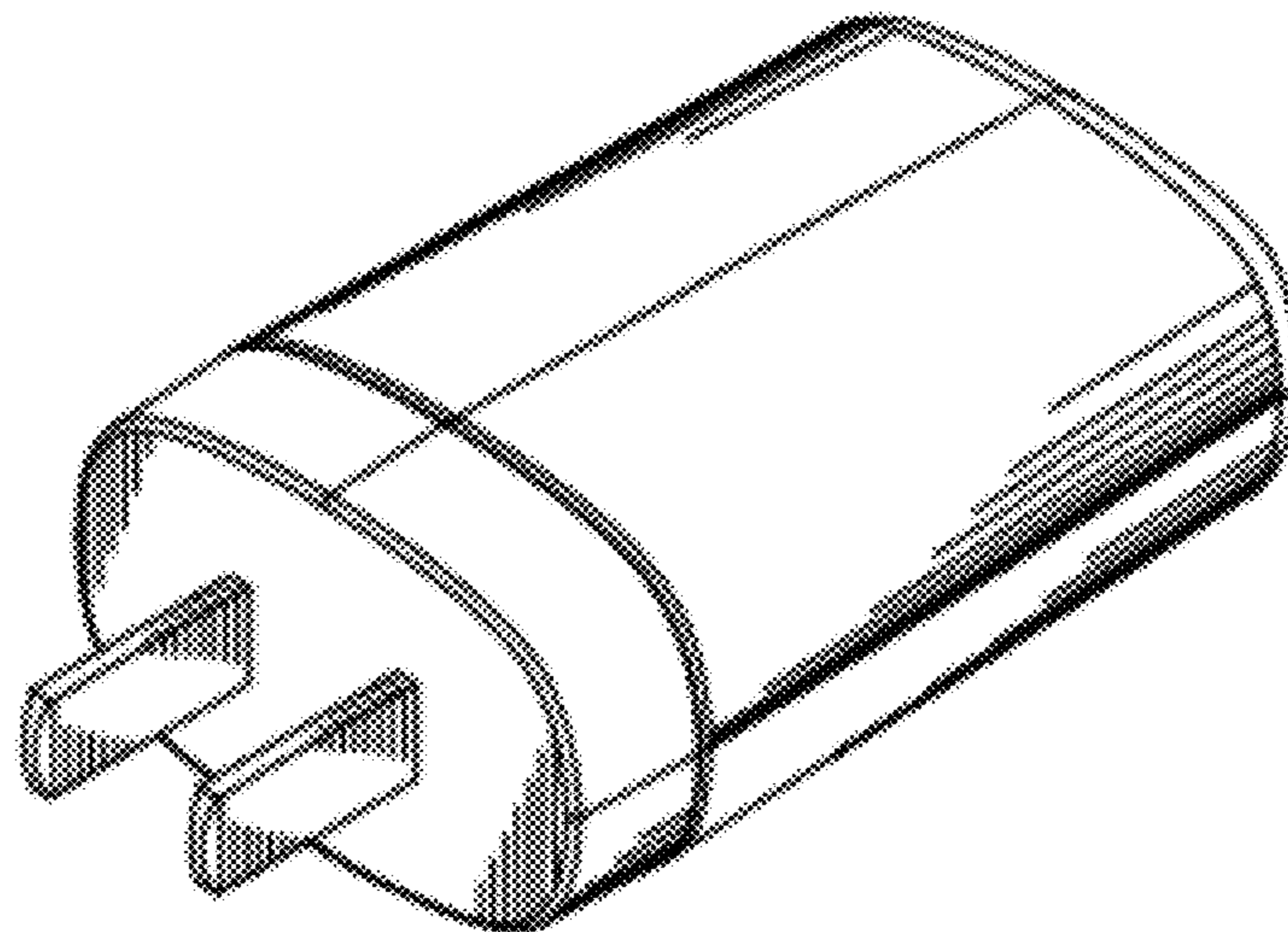
(57) **CLAIM**

The ornamental design for power adapter, as shown and described.

DESCRIPTION

FIG. 1 is a perspective view of a power adapter showing our new design;
 FIG. 2 is a front elevation view thereof;
 FIG. 3 is a rear elevation view thereof;
 FIG. 4 is a left side elevation view thereof;
 FIG. 5 is a right side elevation view thereof;
 FIG. 6 is a top plan view thereof;
 FIG. 7 is a bottom plan view thereof;
 FIG. 8 is a perspective view thereof showing the adapter removed from the main body;
 FIG. 9 is another perspective view showing the adapter removed from the main body;
 FIG. 10 is front elevation view thereof;
 FIG. 11 is a rear elevation view thereof;
 FIG. 12 is a left side elevation view thereof;
 FIG. 13 is a right side elevation view thereof;
 FIG. 14 is a top plan view thereof;
 FIG. 15 is a bottom plan view thereof;
 FIG. 16 is front elevation view of the main body; and,
 FIG. 17 is a rear elevation view of the adapter.

1 Claim, 9 Drawing Sheets



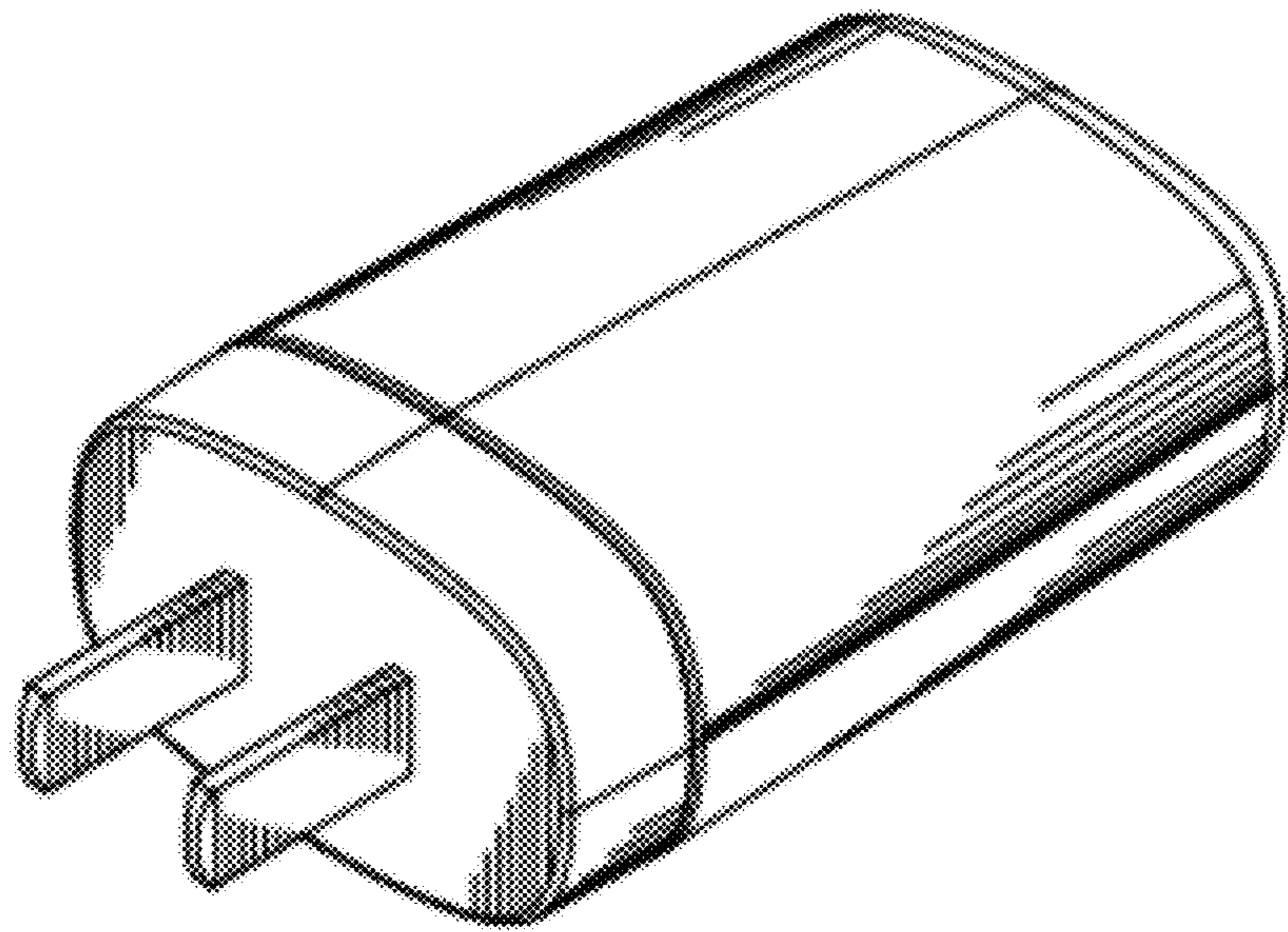


FIG. 1

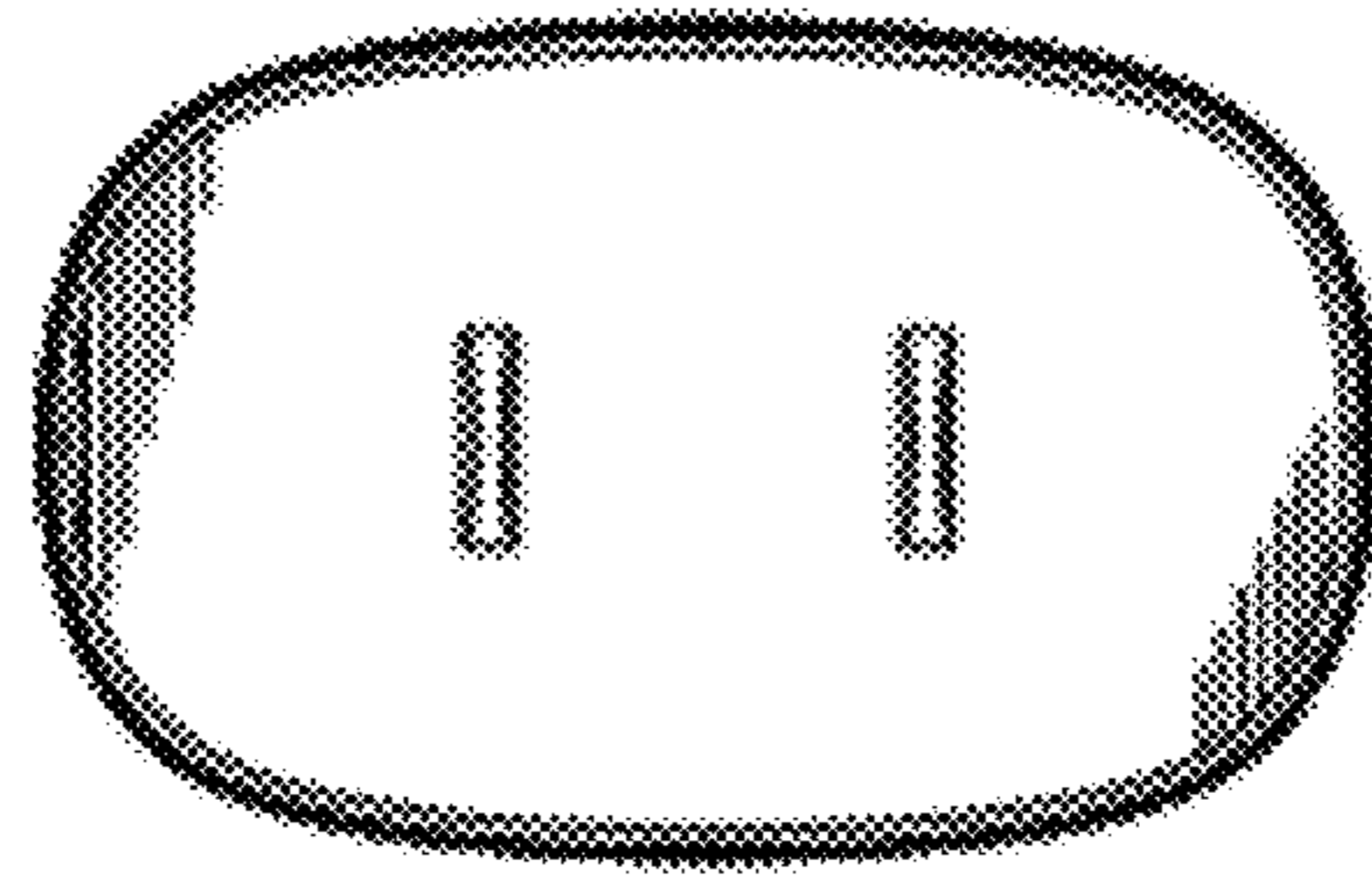


FIG. 2

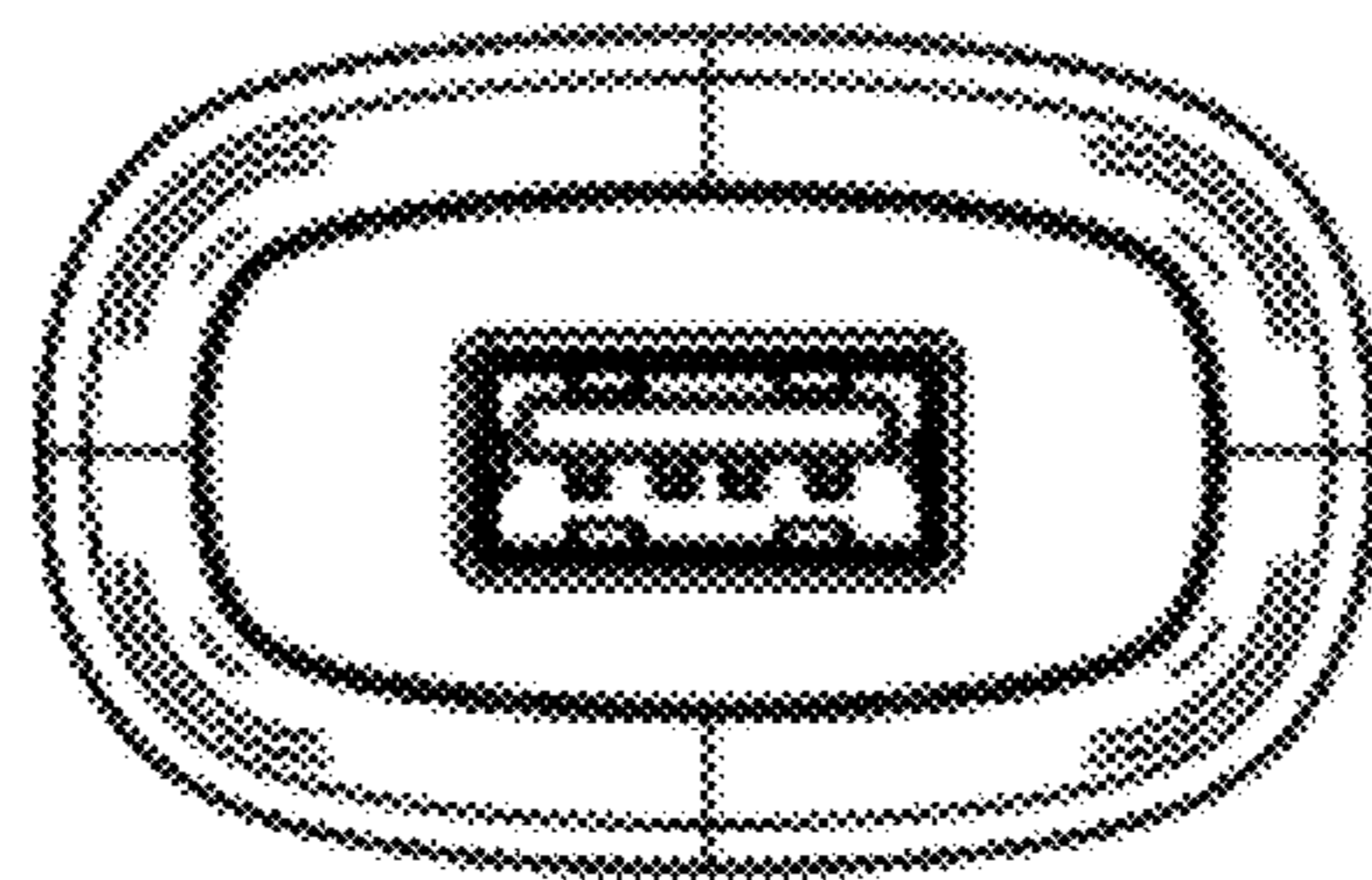


FIG. 3



FIG. 4

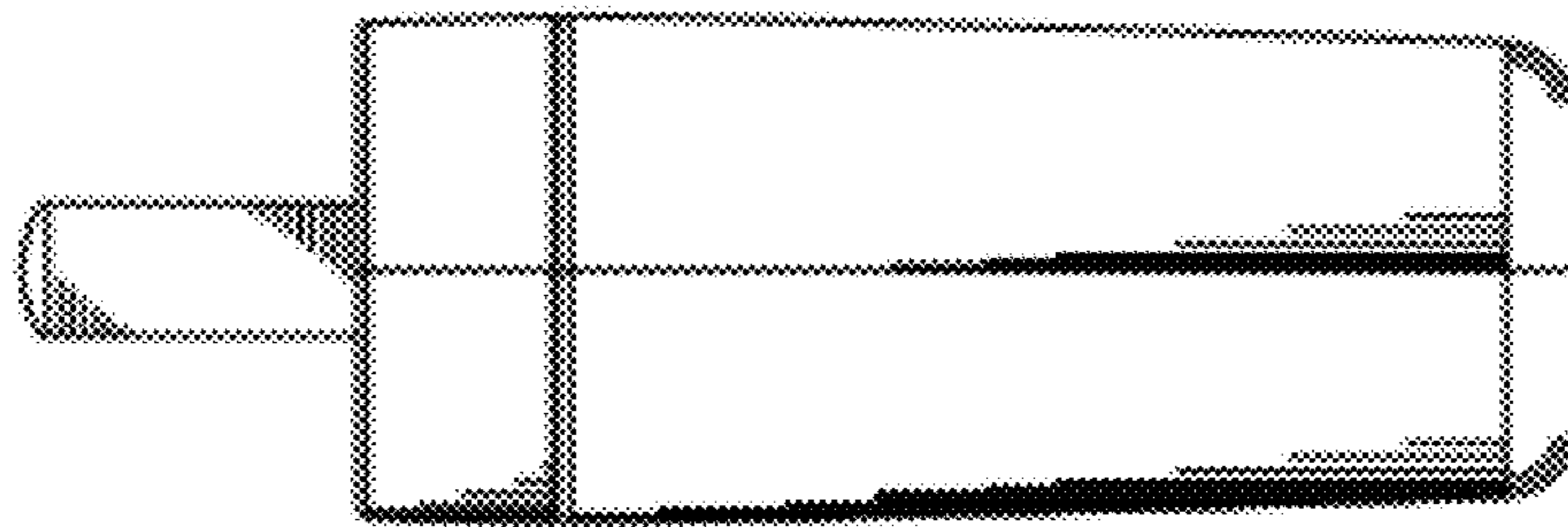


FIG. 5

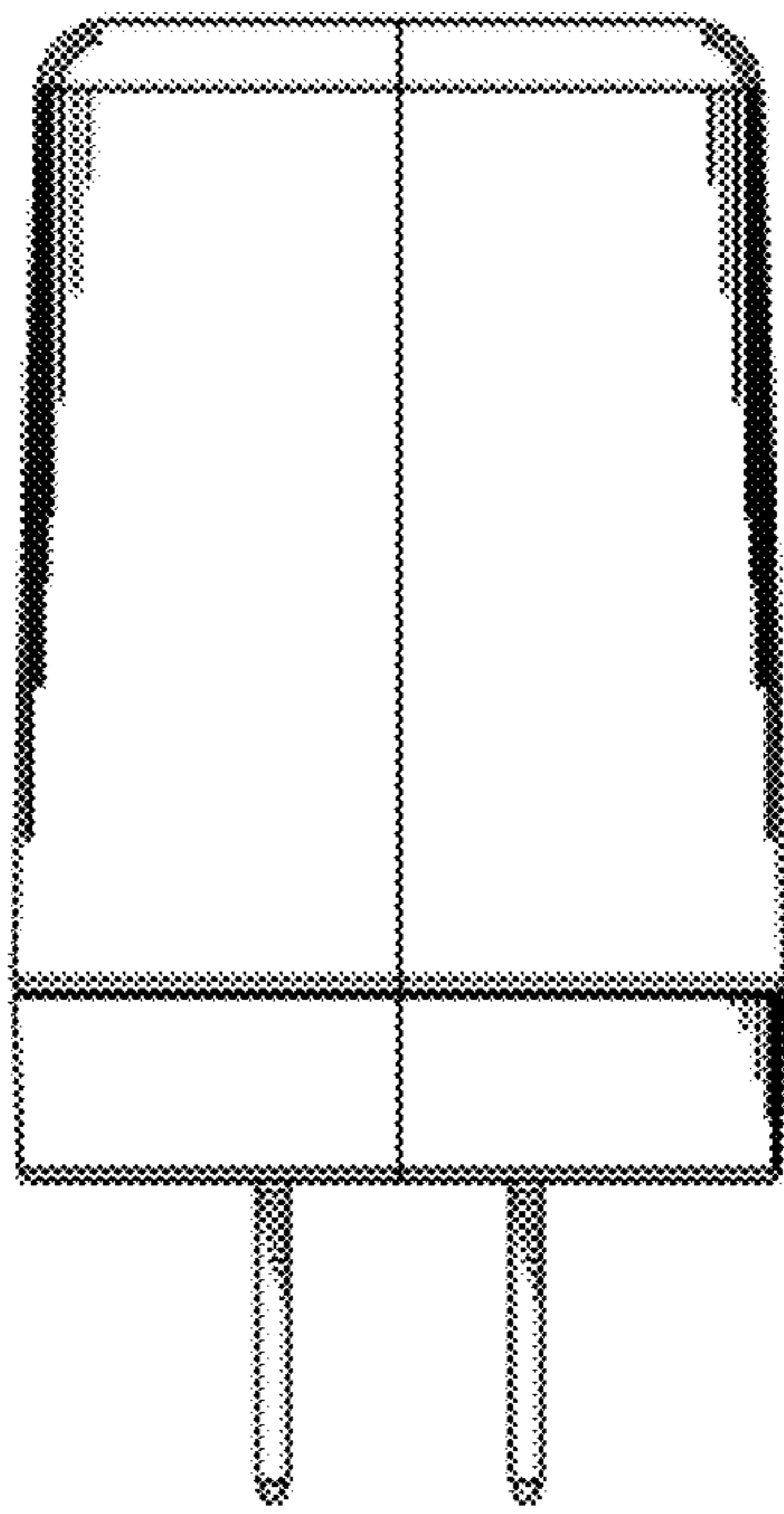


FIG. 6

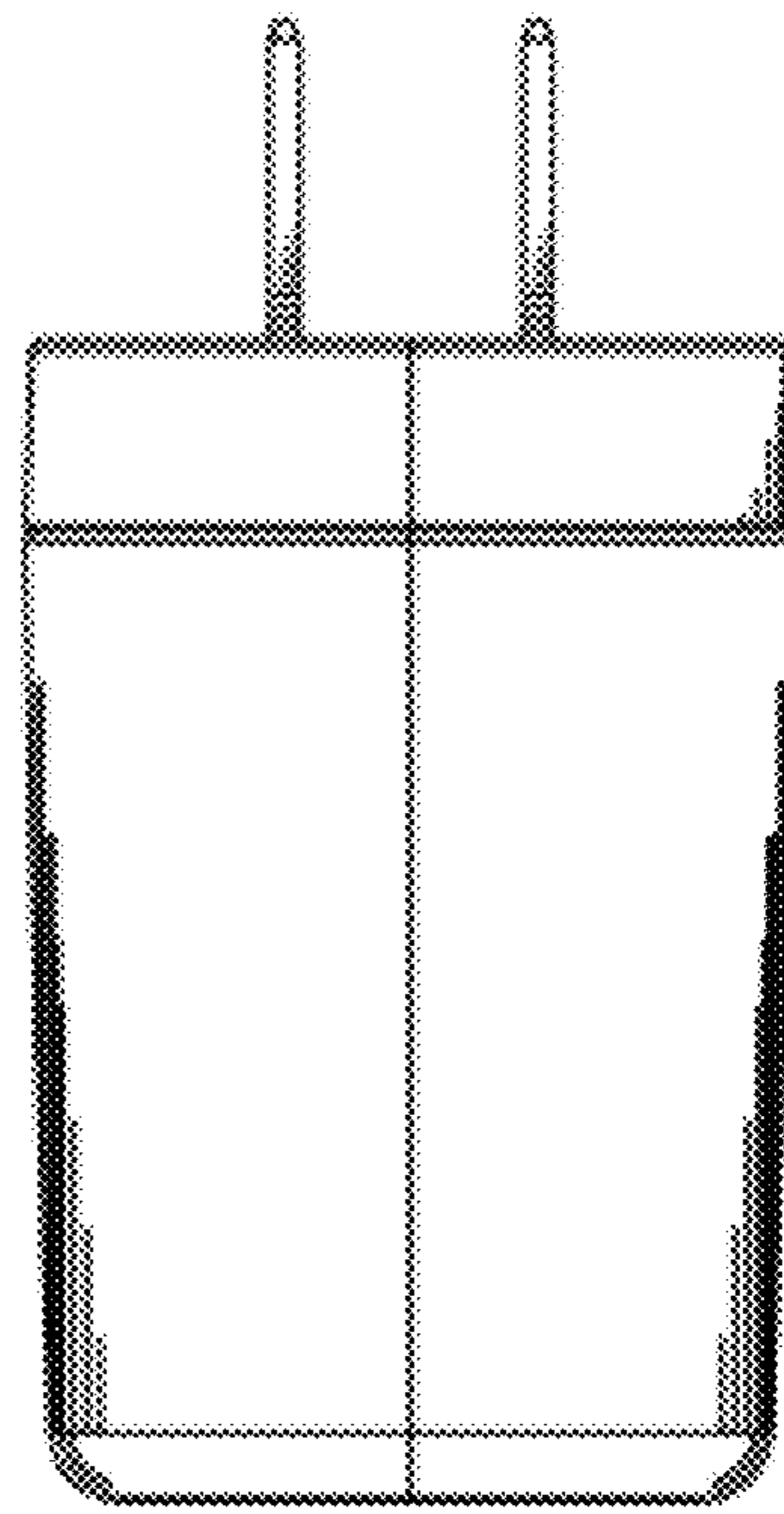


FIG. 7

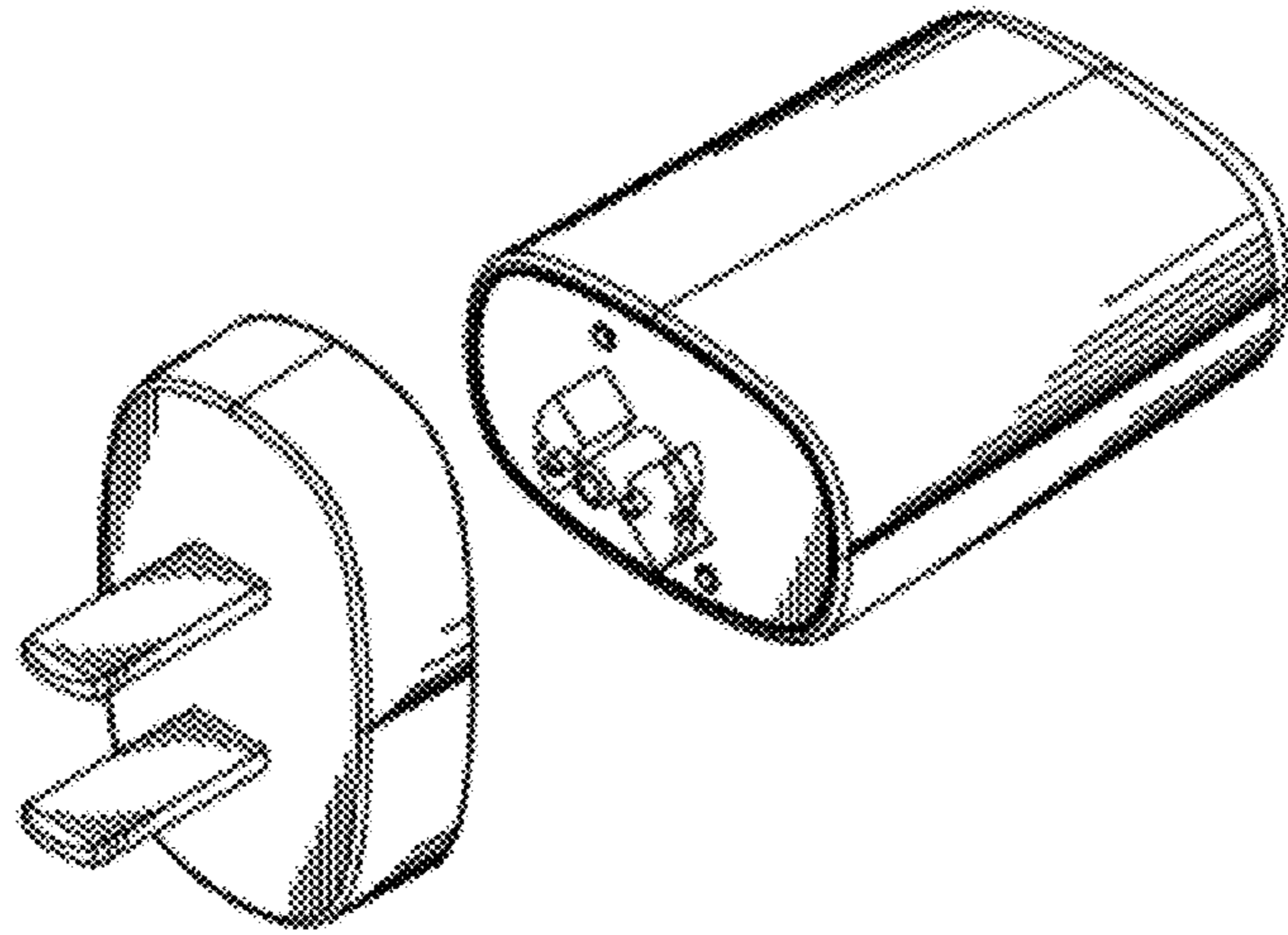


FIG. 8

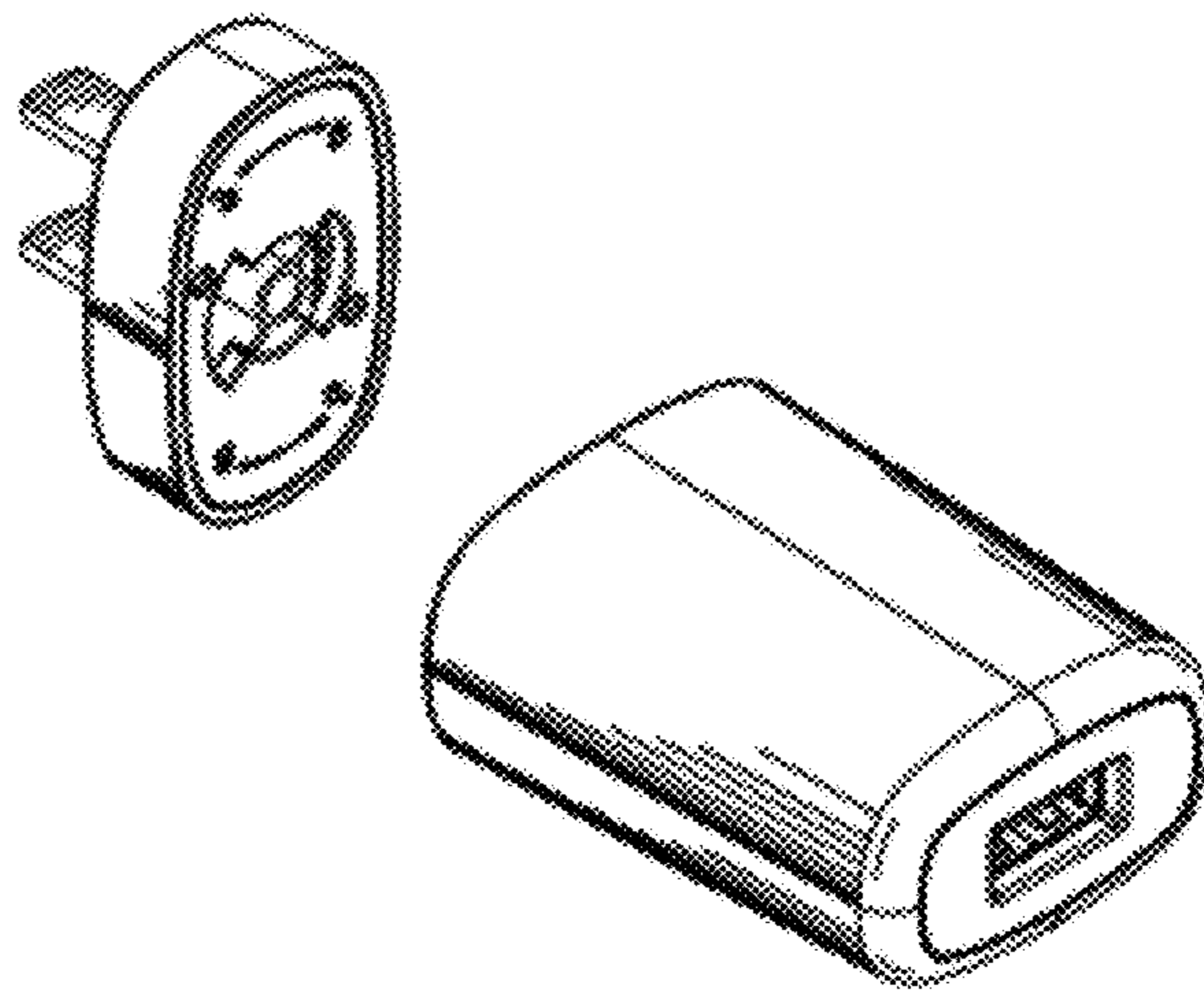


FIG. 9

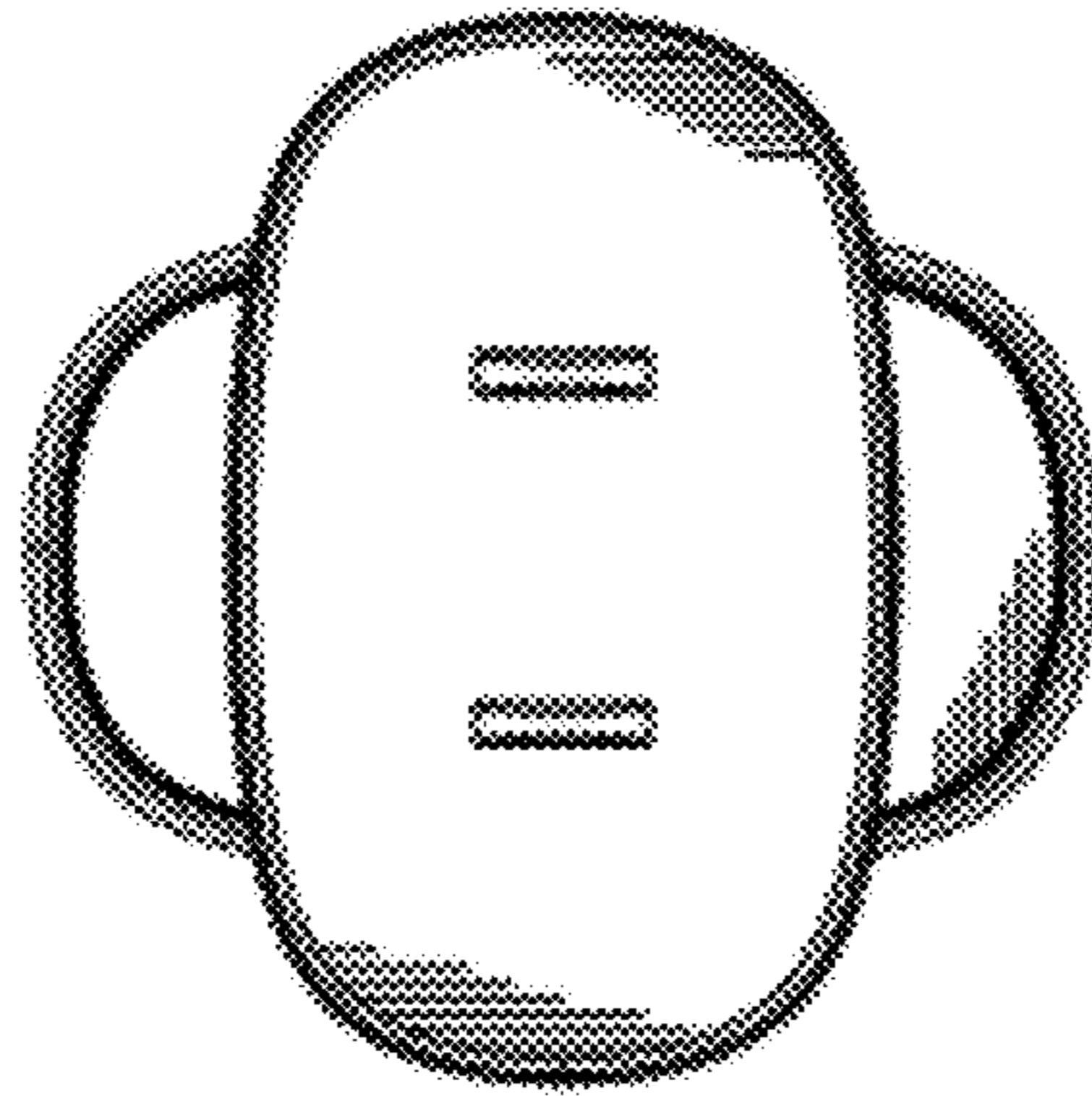


FIG. 10

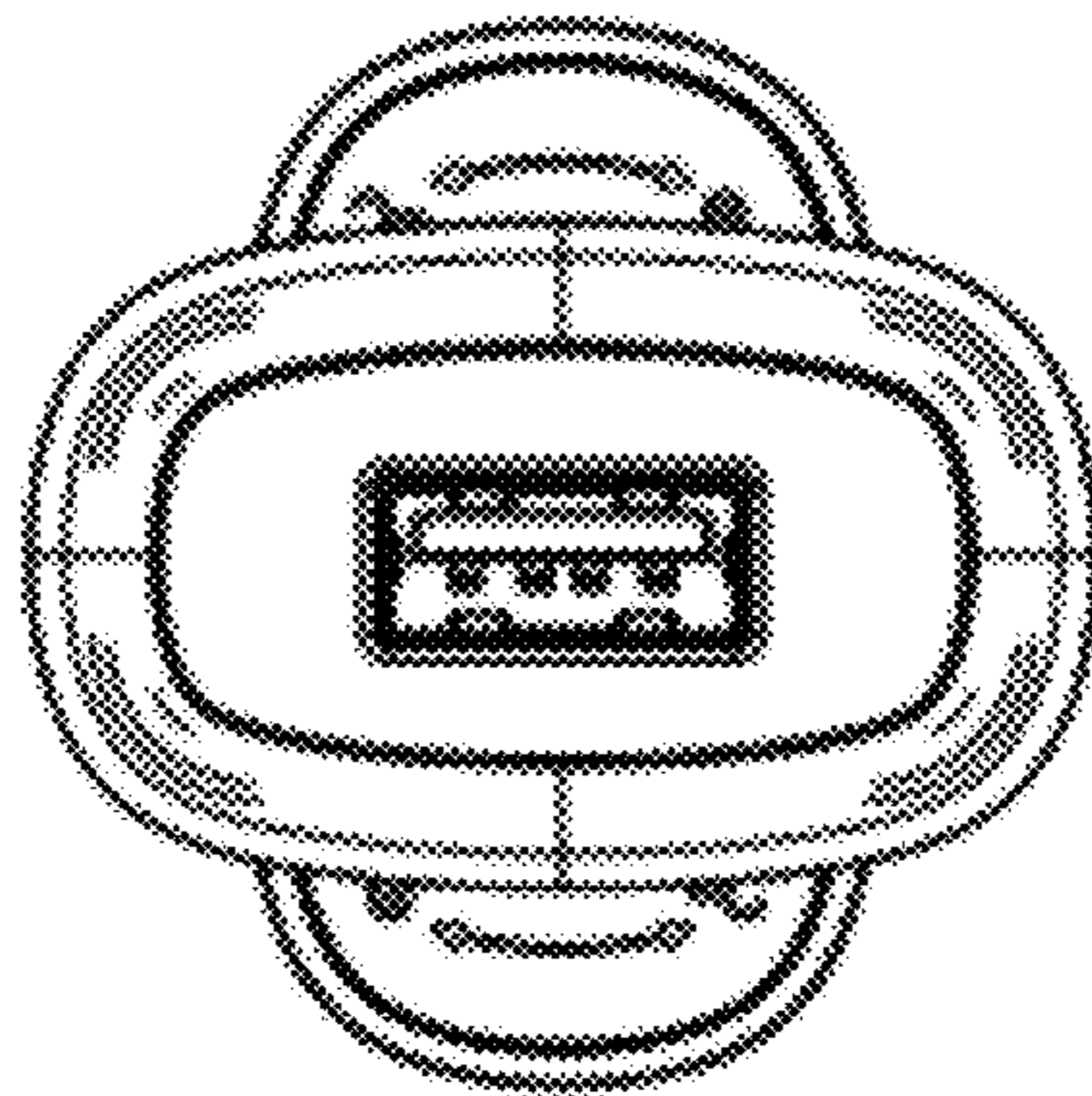


FIG. 11

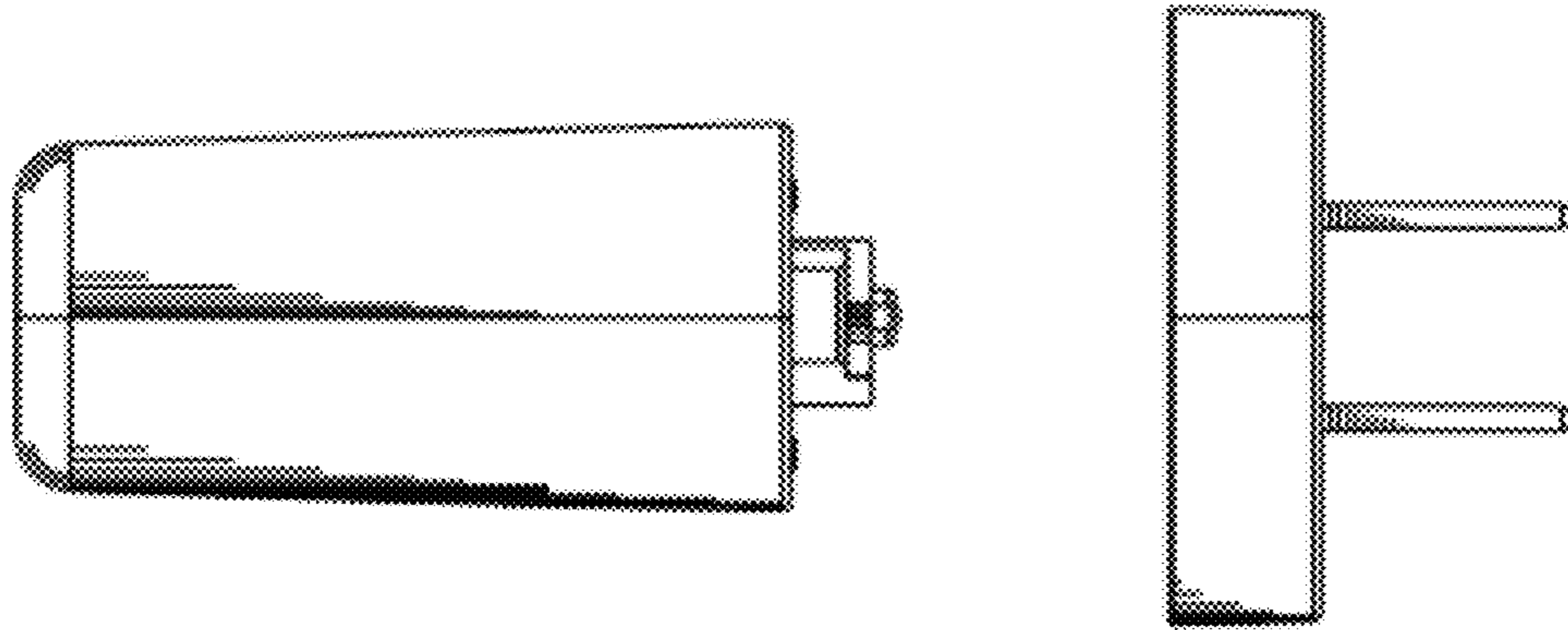


FIG. 12

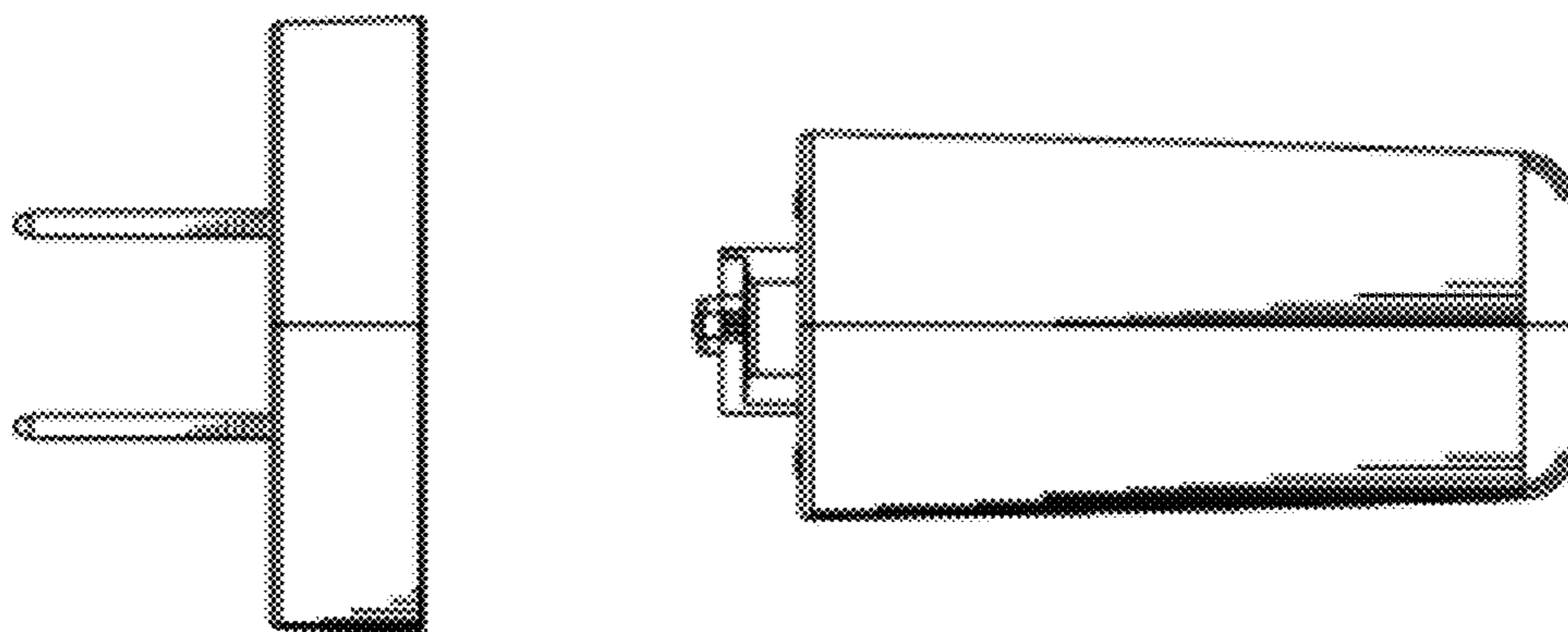


FIG. 13

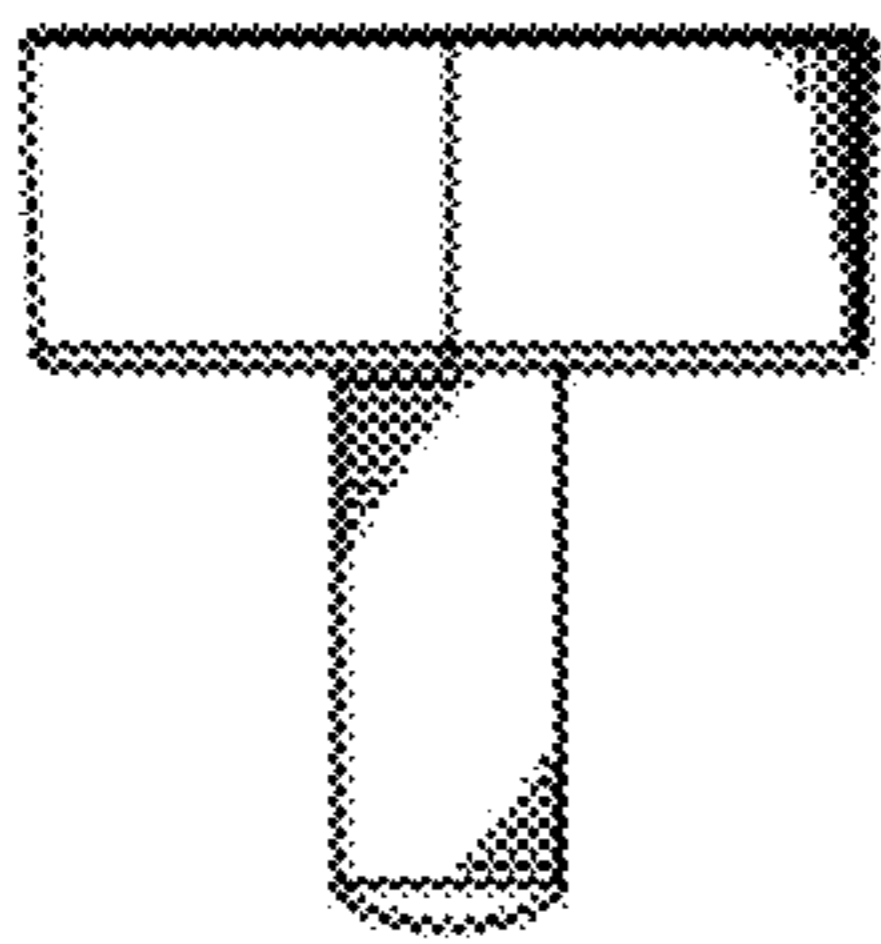
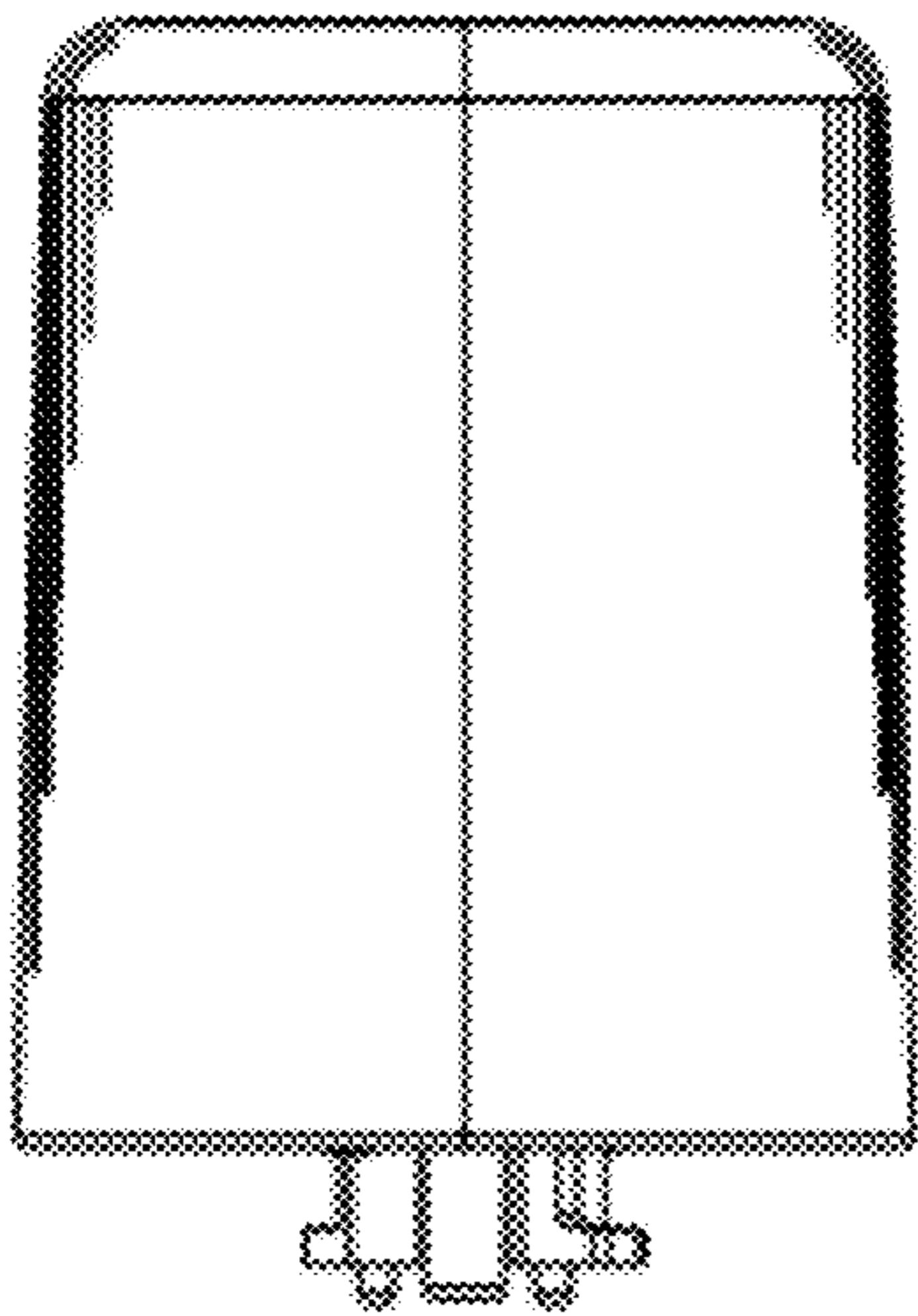


FIG. 14

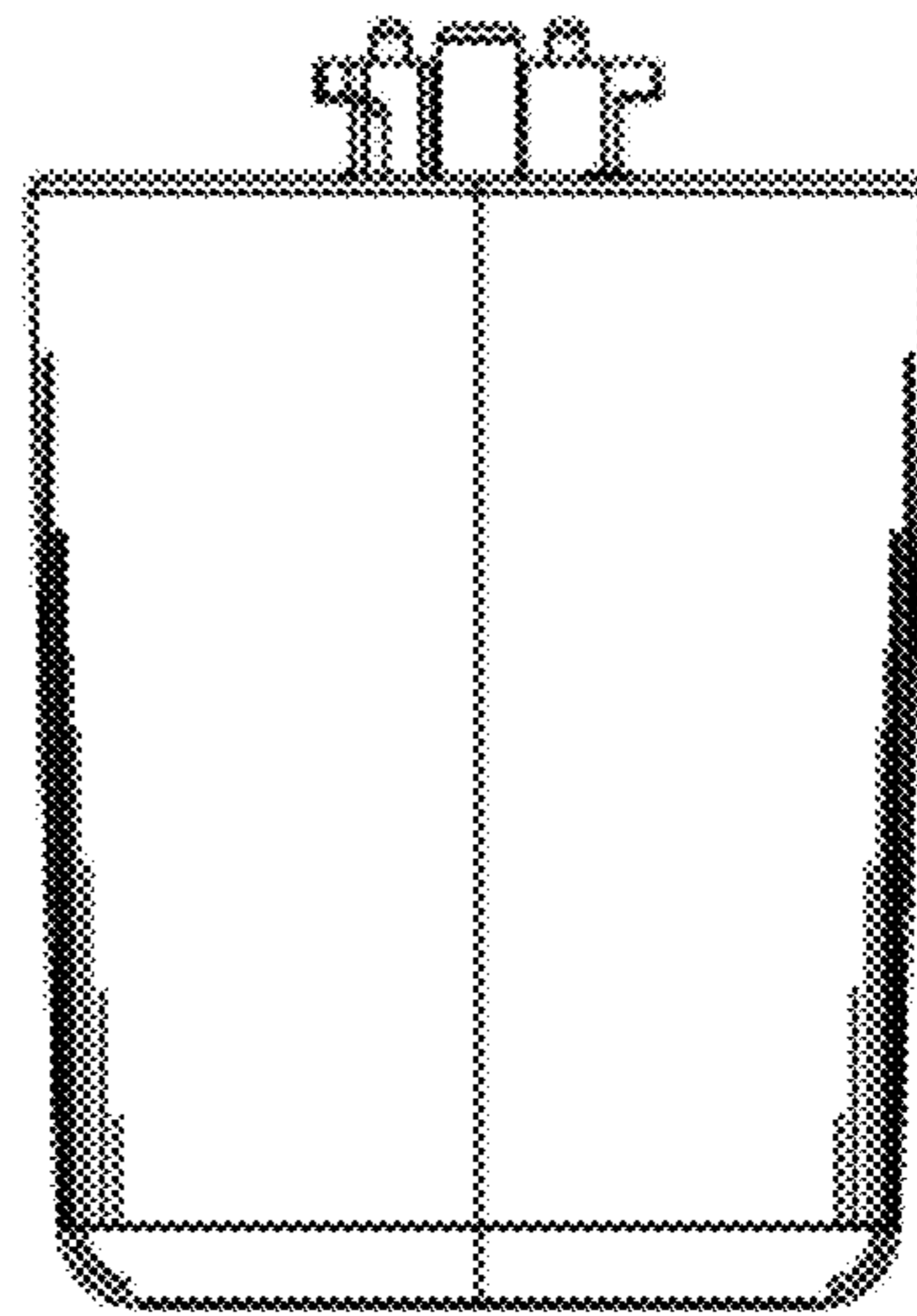
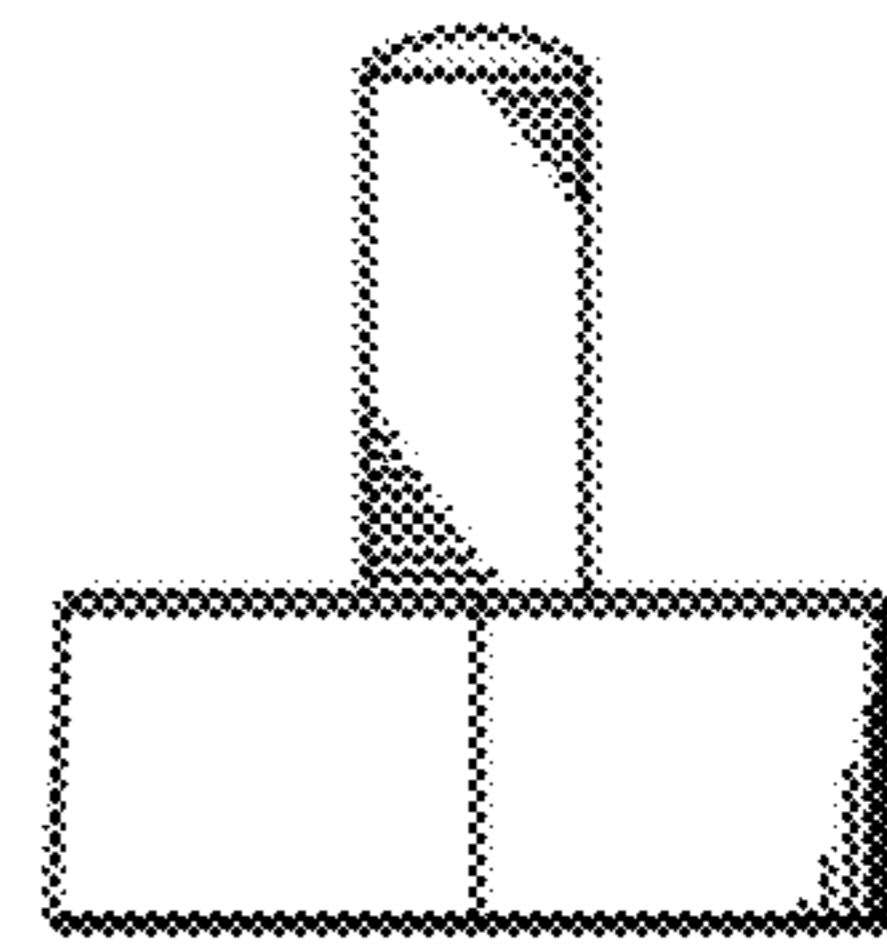


FIG. 15

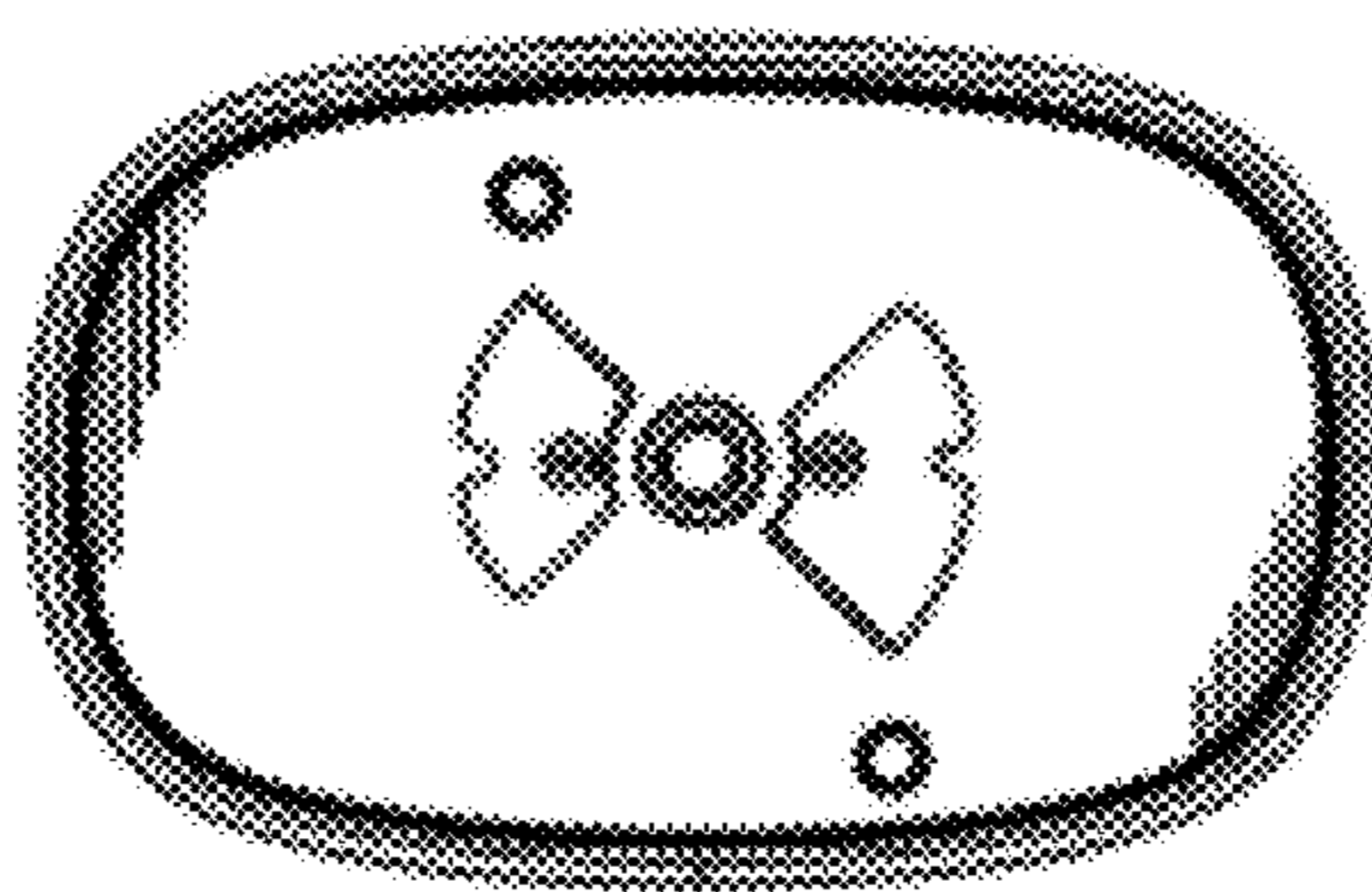


FIG. 16

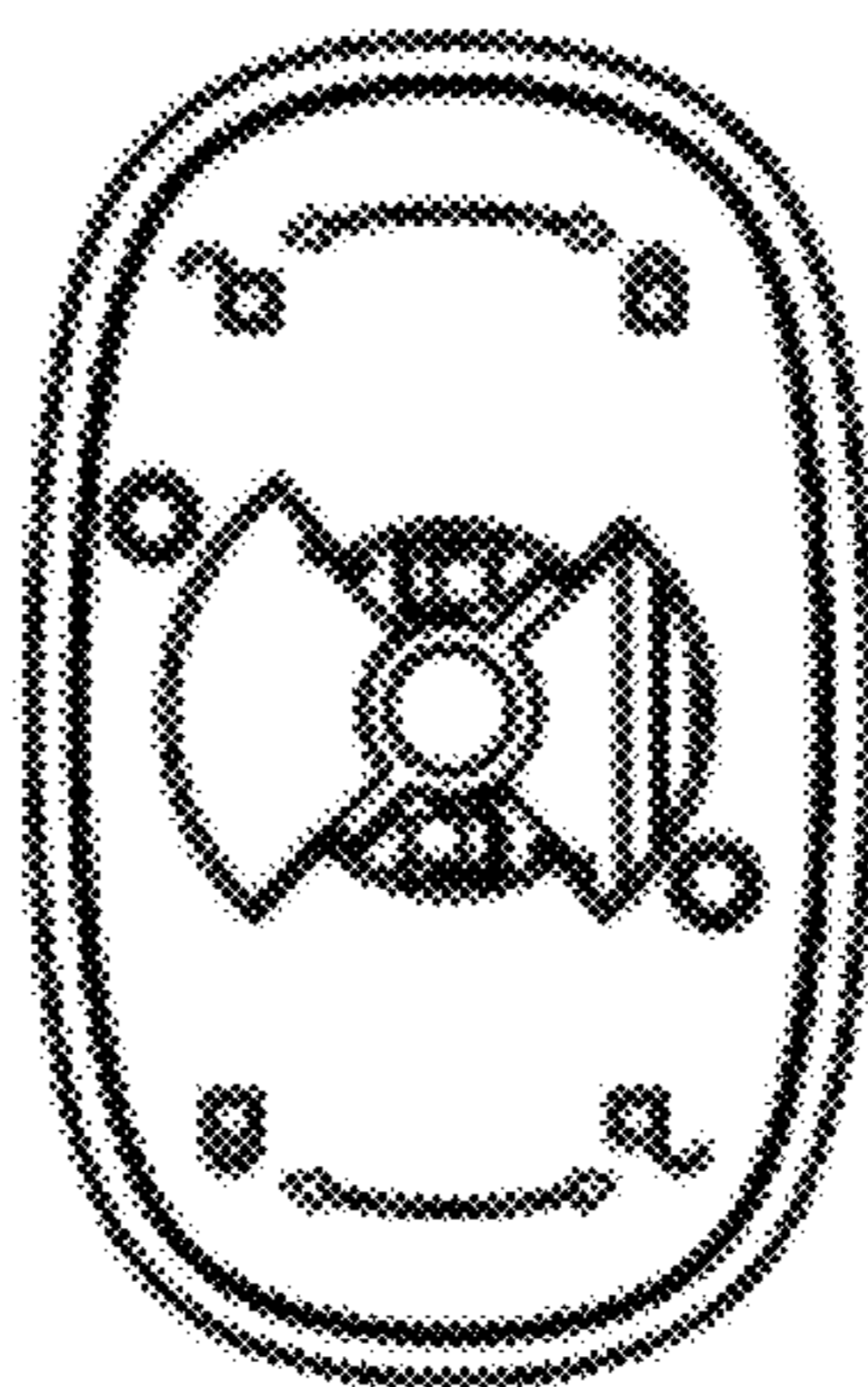


FIG. 17