



US00D660794S

(12) **United States Design Patent**  
**Fahrendorff et al.**

(10) **Patent No.:** **US D660,794 S**

(45) **Date of Patent:** **\*\* May 29, 2012**

(54) **CHARGING DOCK**

(75) Inventors: **Anders Fahrendorff**, Ottawa (CA); **Ian James Murchison**, Toronto (CA); **Todd Andrew Wood**, Toronto (CA)

(73) Assignee: **Research In Motion Limited**, Waterloo, Ontario (CA)

(\*\*) Term: **14 Years**

(21) Appl. No.: **29/389,103**

(22) Filed: **Apr. 6, 2011**

(51) **LOC (9) Cl.** ..... **13-02**

(52) **U.S. Cl.** ..... **D13/108**

(58) **Field of Classification Search** ..... D13/107-110,  
D13/118-119, 184; D14/251, 253, 432,  
D14/434; 320/107-115

See application file for complete search history.

(56) **References Cited**

U.S. PATENT DOCUMENTS

D610,128 S \* 2/2010 Andre et al. .... D14/217  
D638,831 S \* 5/2011 Paradise ..... D14/253

D639,811 S \* 6/2011 Hwang et al. .... D14/434  
D642,979 S \* 8/2011 Chun et al. .... D13/108  
D647,525 S \* 10/2011 Seto ..... D14/434  
D648,707 S \* 11/2011 Akana et al. .... D14/217  
D649,551 S \* 11/2011 Hwang et al. .... D14/434

\* cited by examiner

*Primary Examiner* — Rosemary K Tarcza

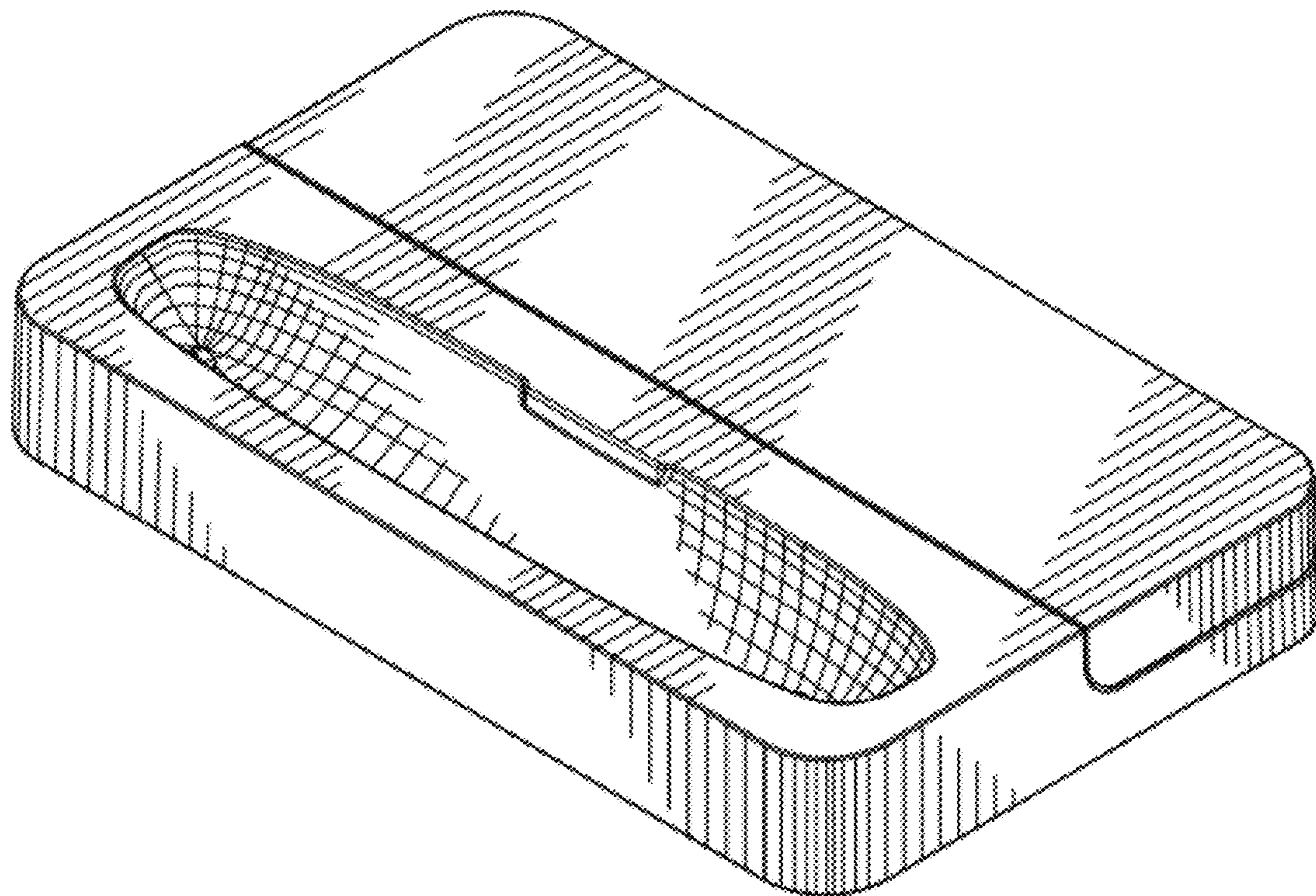
(57) **CLAIM**

We claim the ornamental design for a charging dock, as shown and described.

**DESCRIPTION**

FIG. 1 is a front perspective view of a charging dock;  
FIG. 2 is a back bottom perspective view of the charging dock;  
FIG. 3 is a top plan view of thereof;  
FIG. 4 is a bottom plan view thereof;  
FIG. 5 is a front elevational view thereof;  
FIG. 6 is a back elevational view thereof;  
FIG. 7 is a right elevational view thereof; and,  
FIG. 8 is a left elevational view thereof.

**1 Claim, 6 Drawing Sheets**



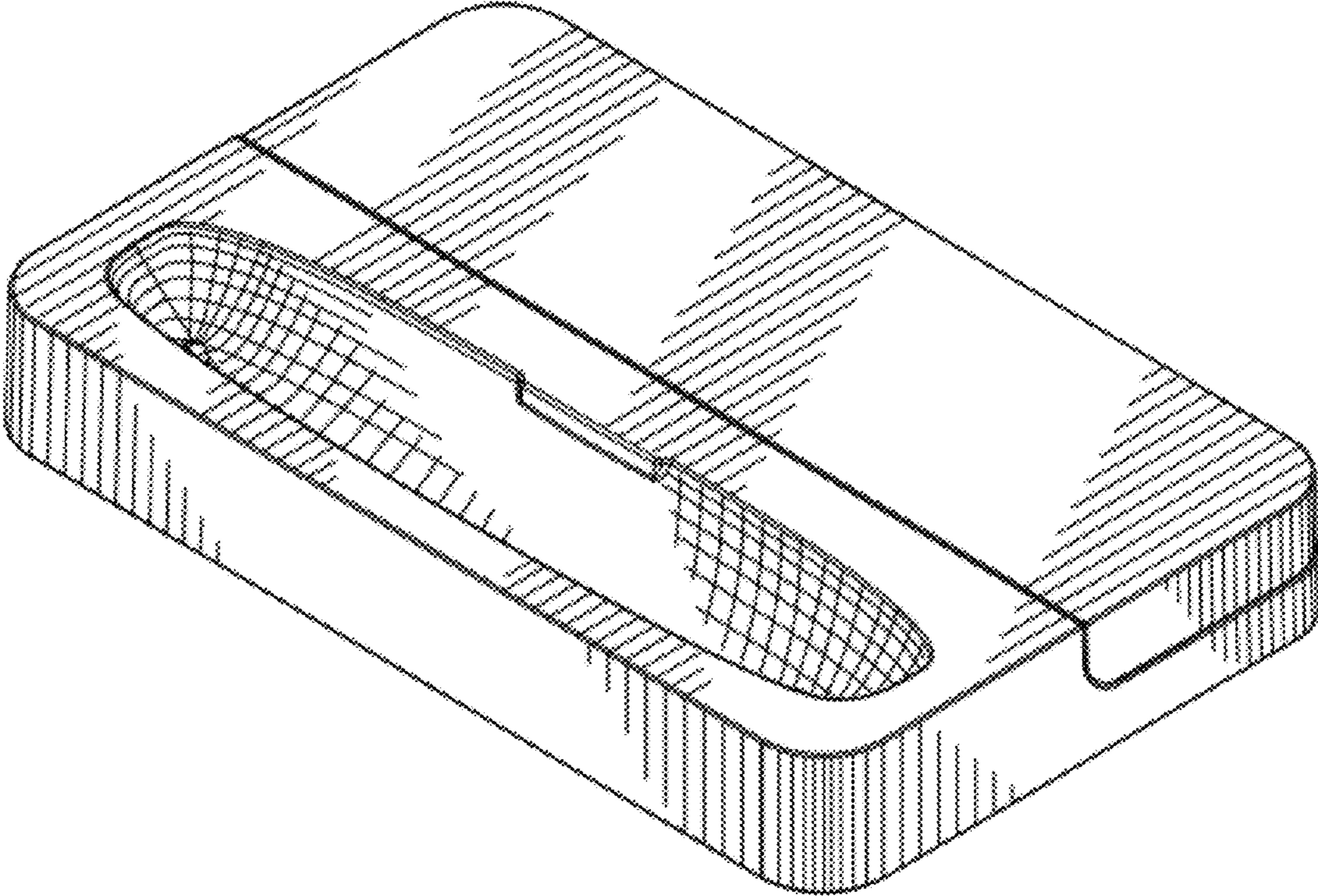


FIG. 1

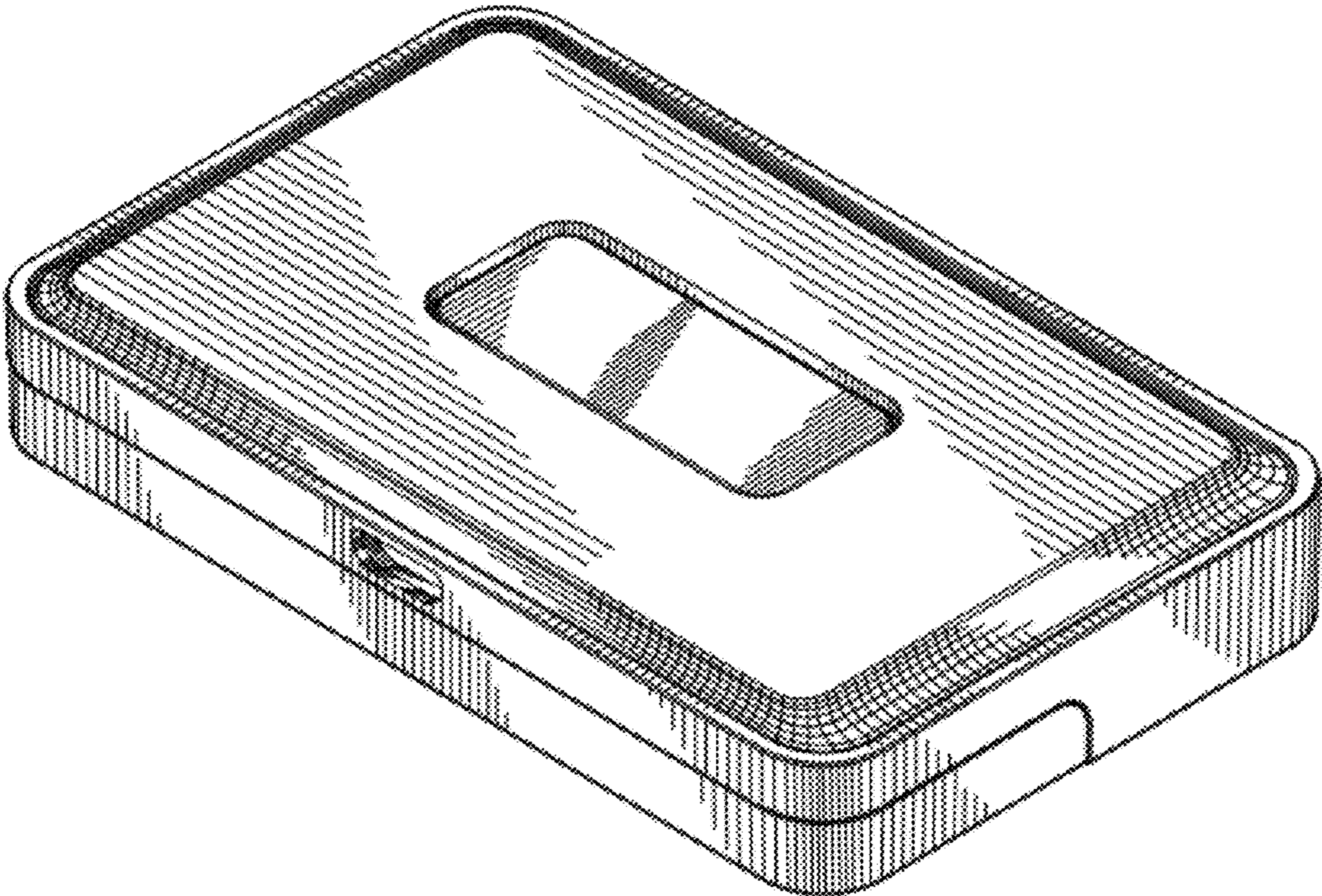


FIG.2

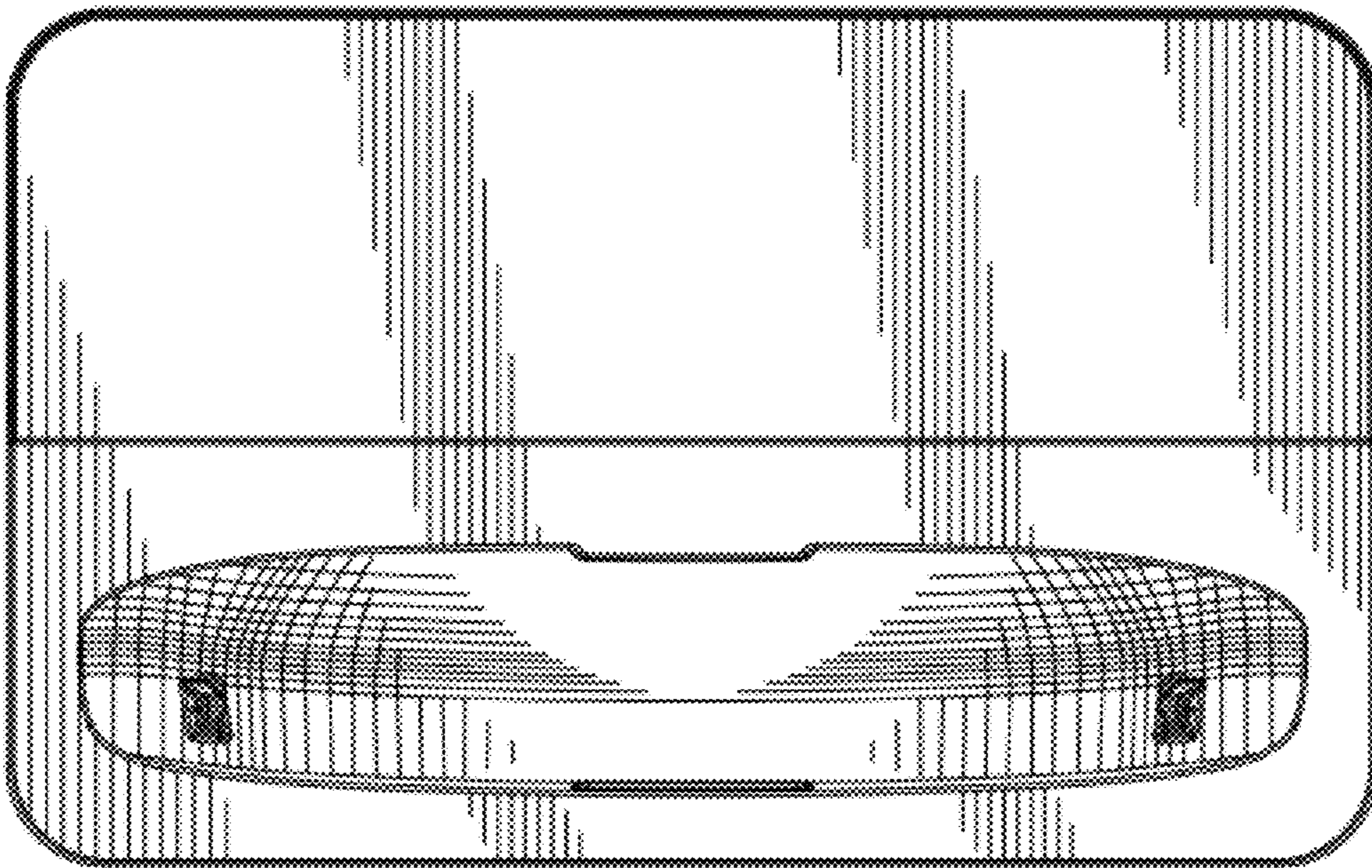


FIG. 3

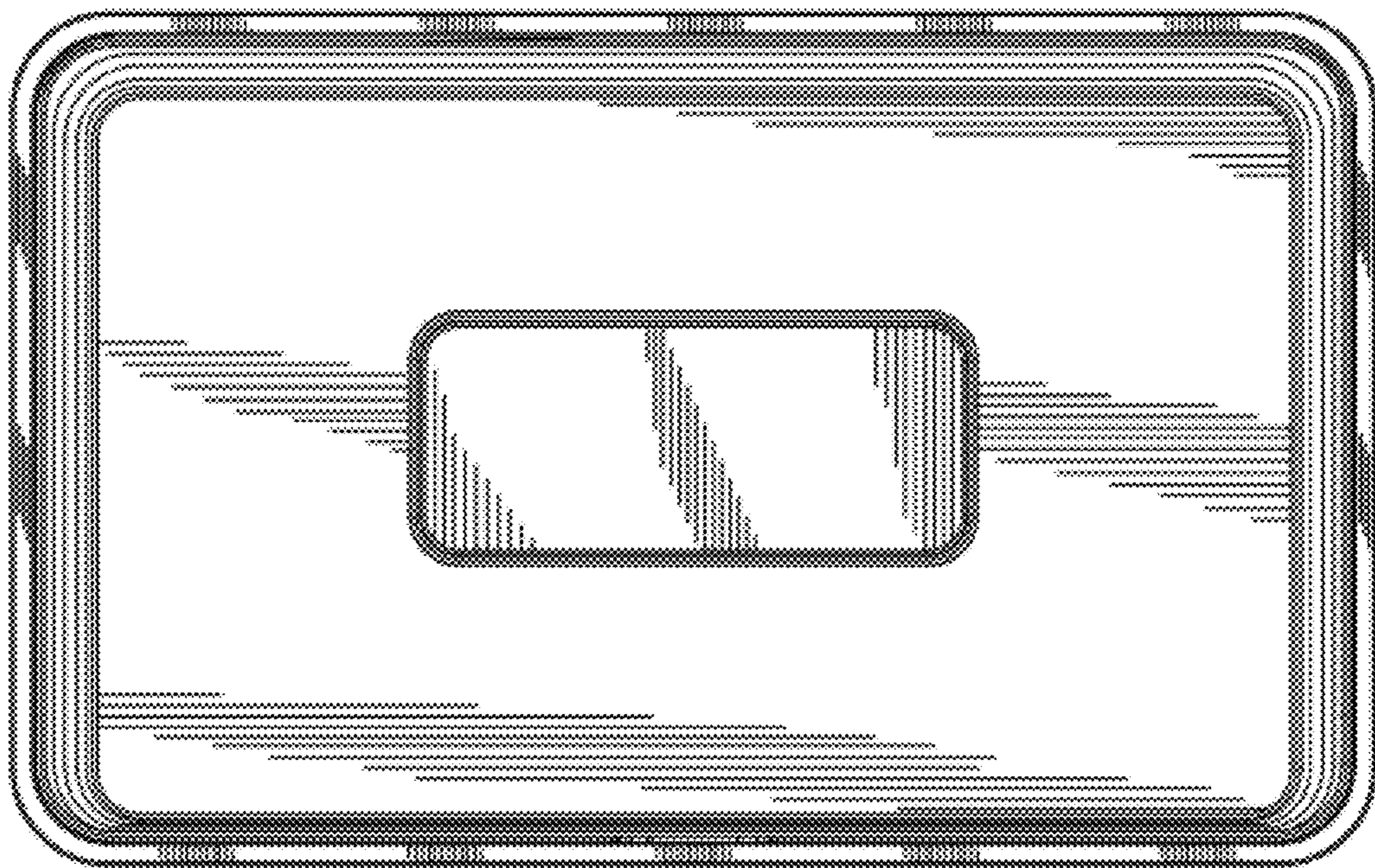


FIG. 4

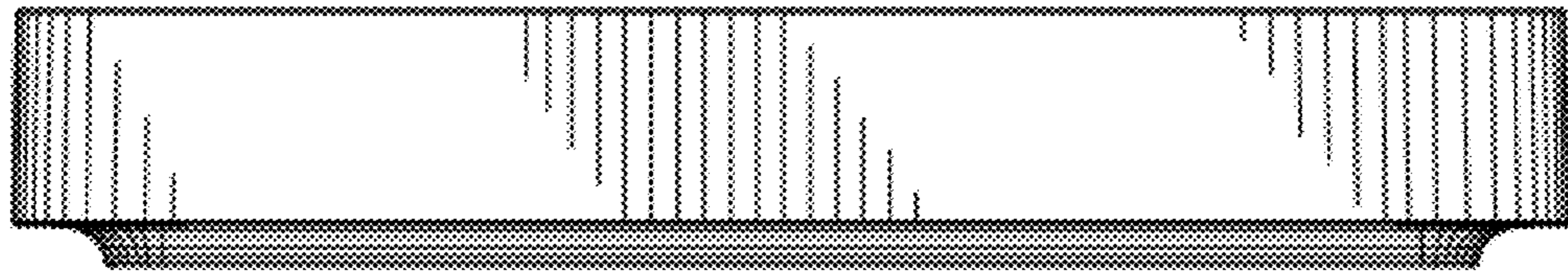


FIG. 5

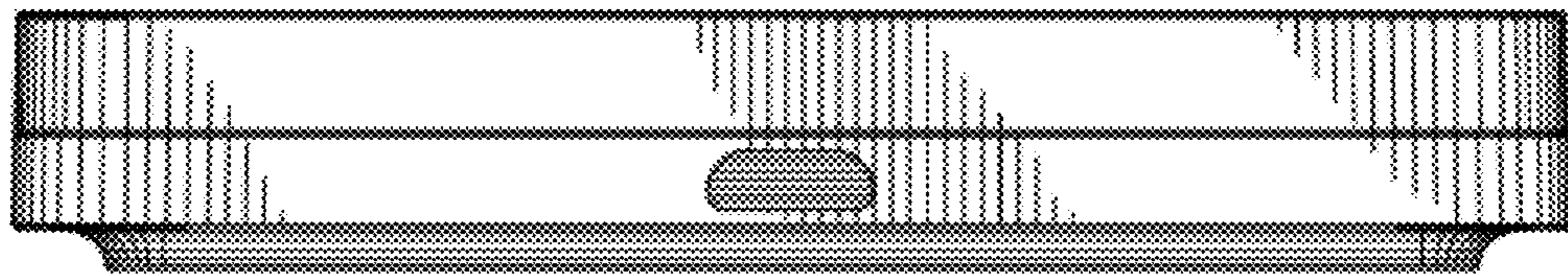


FIG. 6

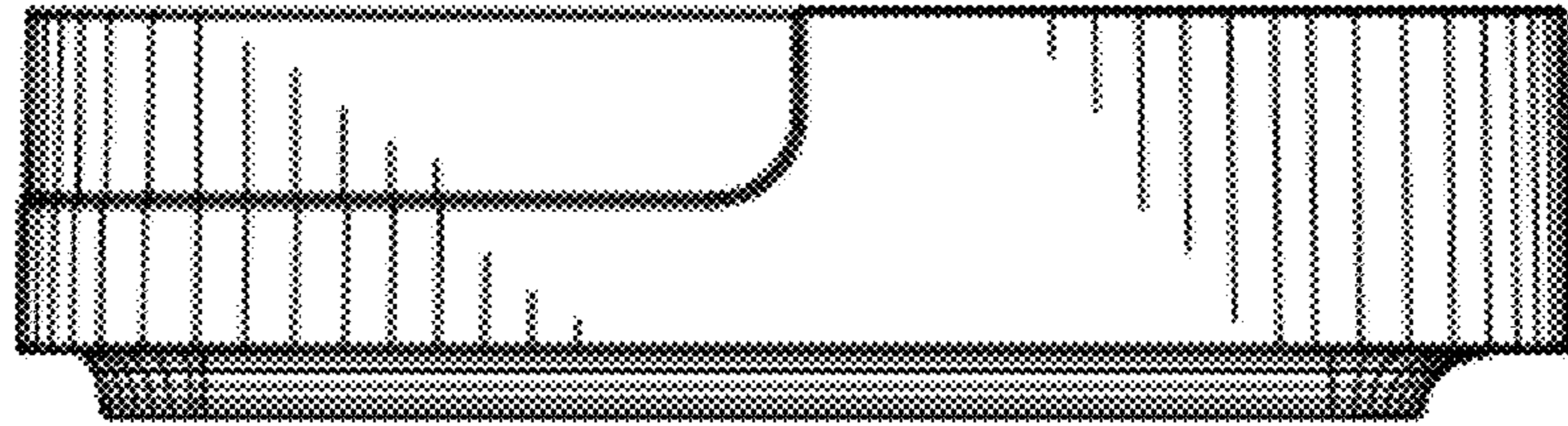


FIG. 7

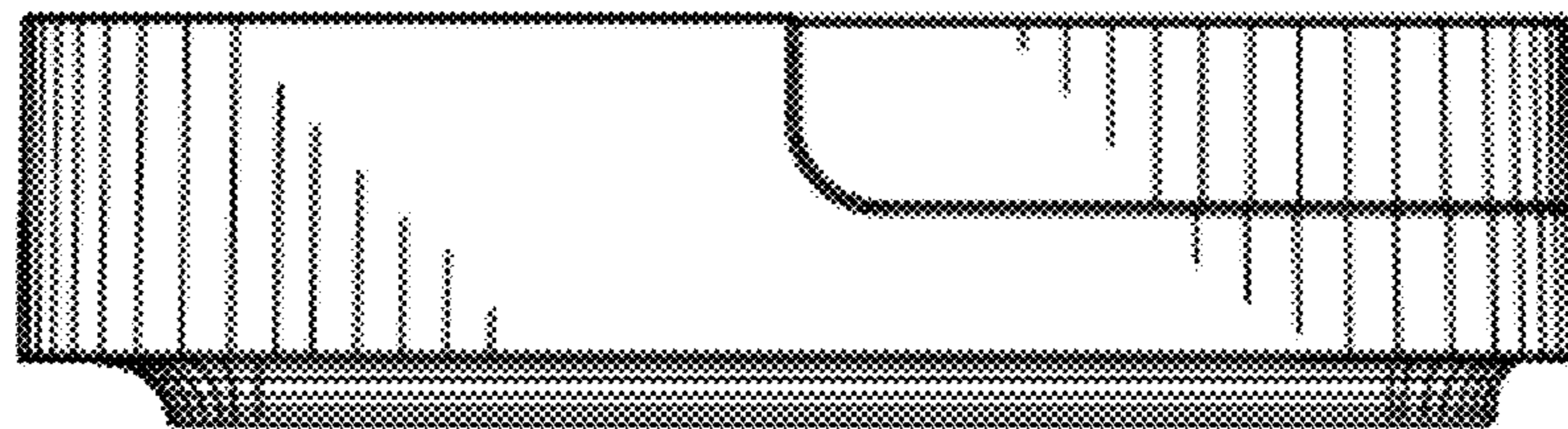


FIG. 8