

US00D660793S

(12) **United States Design Patent**
Inskeep

(10) **Patent No.:** **US D660,793 S**

(45) **Date of Patent:** **** May 29, 2012**

(54) **JUMP STARTER**

(76) Inventor: **Mathew Inskeep**, Boca Raton, FL (US)

(**) Term: **14 Years**

(21) Appl. No.: **29/409,179**

(22) Filed: **Dec. 21, 2011**

(51) **LOC (9) Cl.** **13-02**

(52) **U.S. Cl.** **D13/107**

(58) **Field of Classification Search** D13/106-110,
D13/118-119, 184, 199; D15/9; 320/103-115
See application file for complete search history.

(56) **References Cited**

U.S. PATENT DOCUMENTS

D530,271 S *	10/2006	Hriscu et al.	D13/107
D530,272 S *	10/2006	Hulden	D13/107
D549,170 S *	8/2007	Yen	D13/107
D594,405 S *	6/2009	Murray et al.	D13/107
D615,490 S *	5/2010	Chien	D13/107

D635,090 S *	3/2011	DuMelle et al.	D13/107
D653,203 S *	1/2012	DuMelle et al.	D13/107
D654,865 S *	2/2012	DuMelle et al.	D13/107

* cited by examiner

Primary Examiner — Rosemary K Tarcza

(57) **CLAIM**

I, Mathew Inskeep, claim the ornamental design for a jump starter, as shown in the attached drawings.

DESCRIPTION

FIG. 1 is a bottom perspective view of the jump starter showing my new design.

FIG. 2 is a top perspective view.

FIG. 3 is a top view.

FIG. 4 is a bottom view.

FIG. 5 is left side view thereof.

FIG. 6 is a right side view thereof.

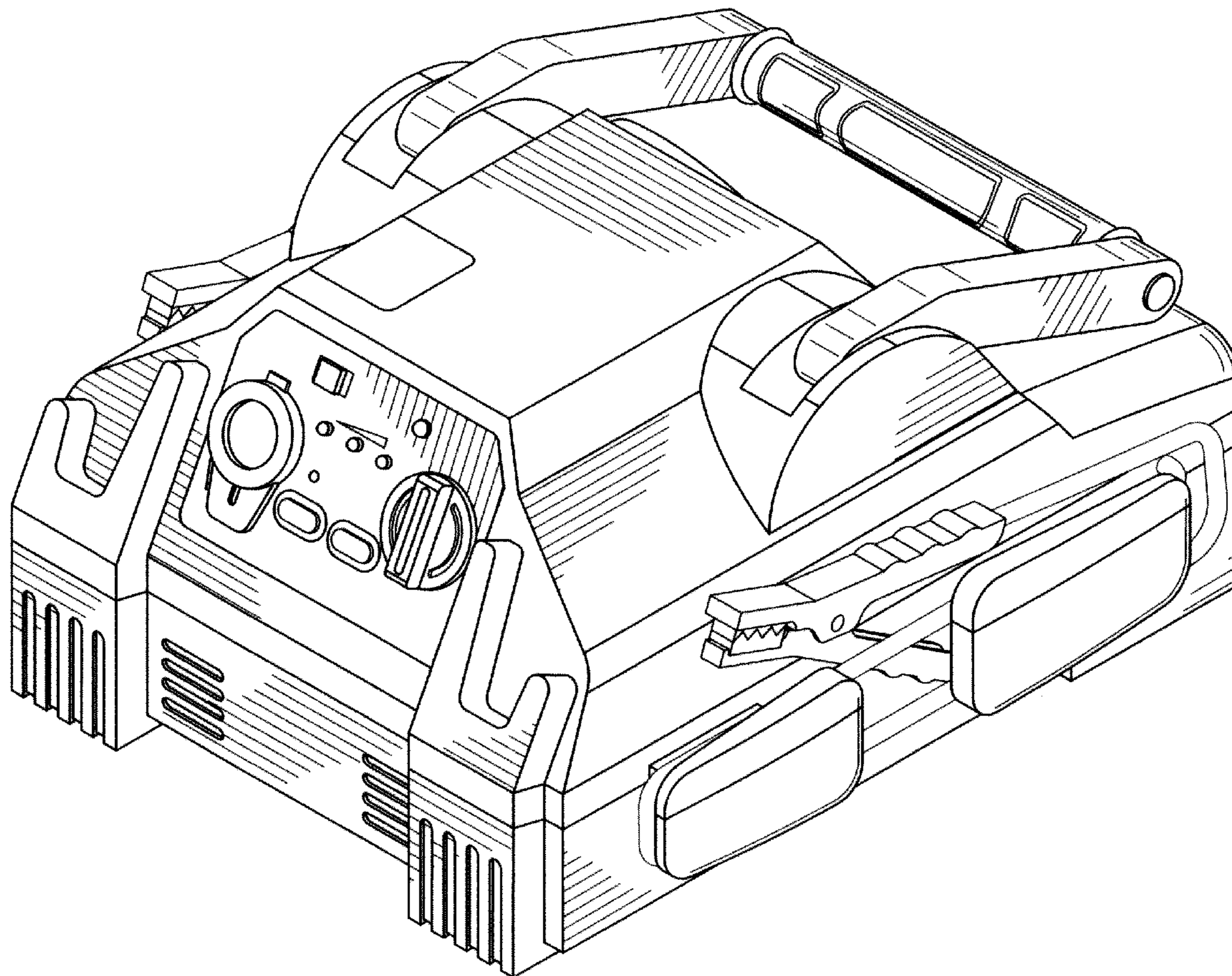
FIG. 7 is a front view thereof.

FIG. 8 is a back view thereof.

FIG. 9. is a bottom perspective view with handle up and jumper cables unhinged; and,

FIG. 10 is a top perspective view with handle up and jumper cables unhinged.

1 Claim, 10 Drawing Sheets



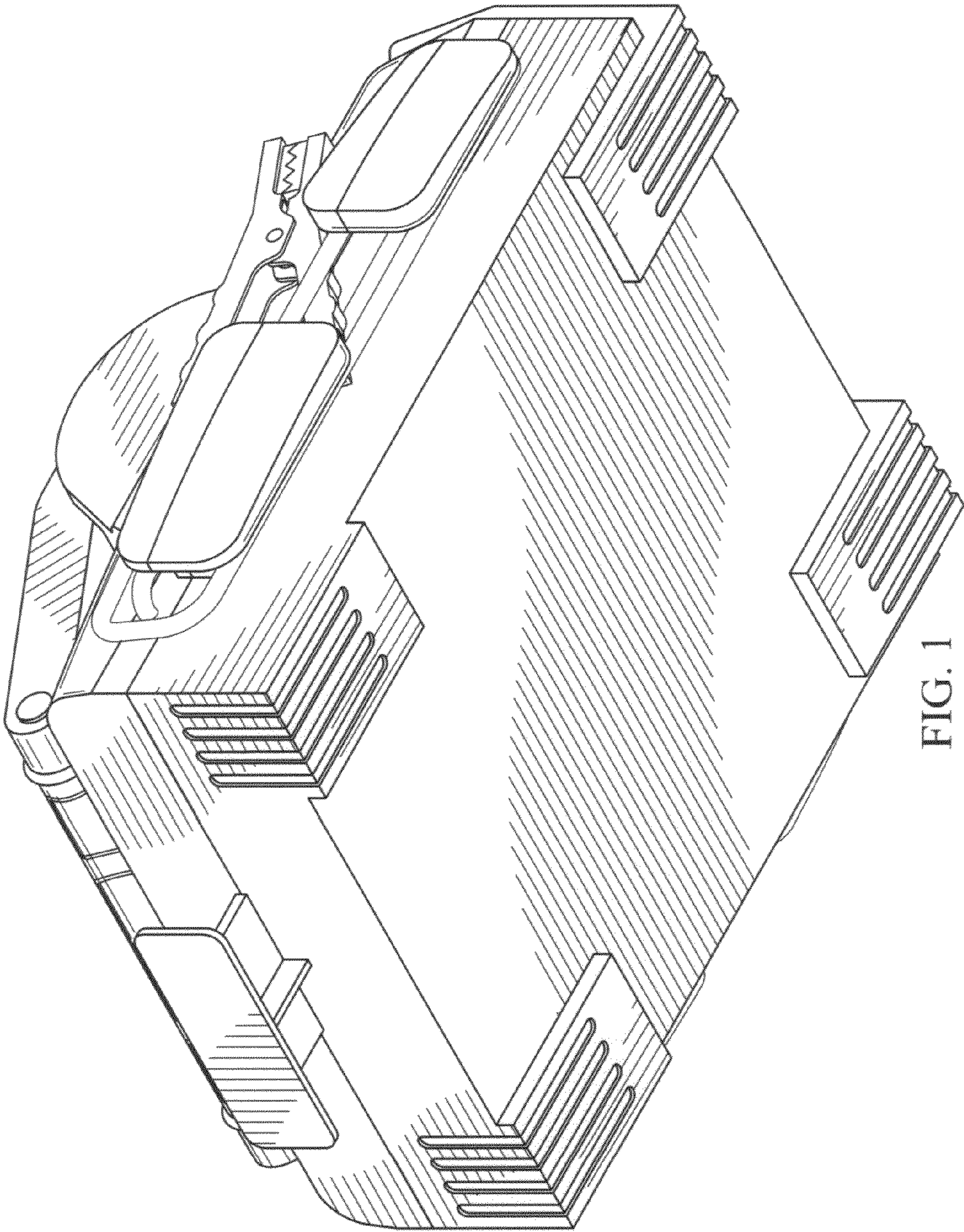


FIG. 1

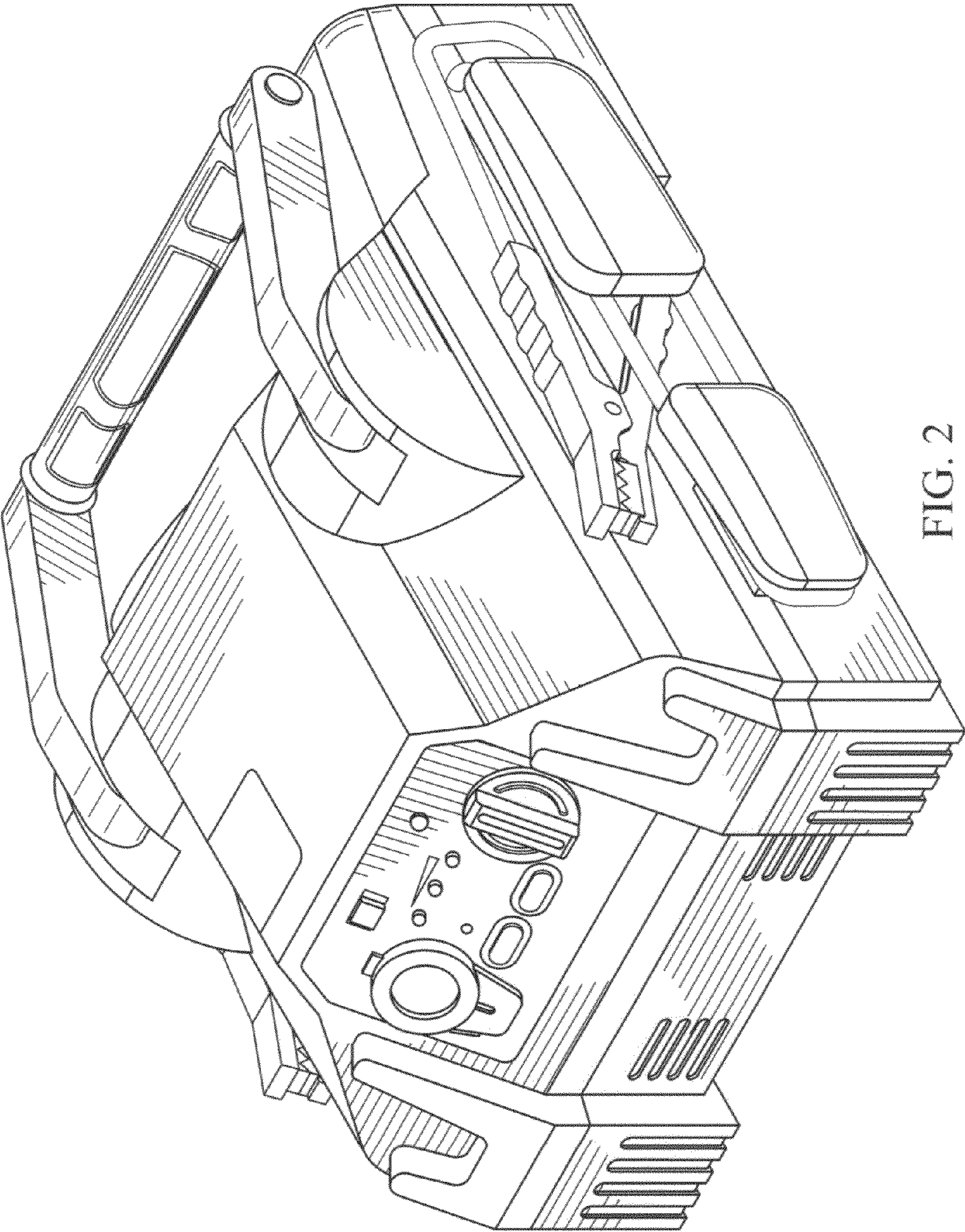


FIG. 2

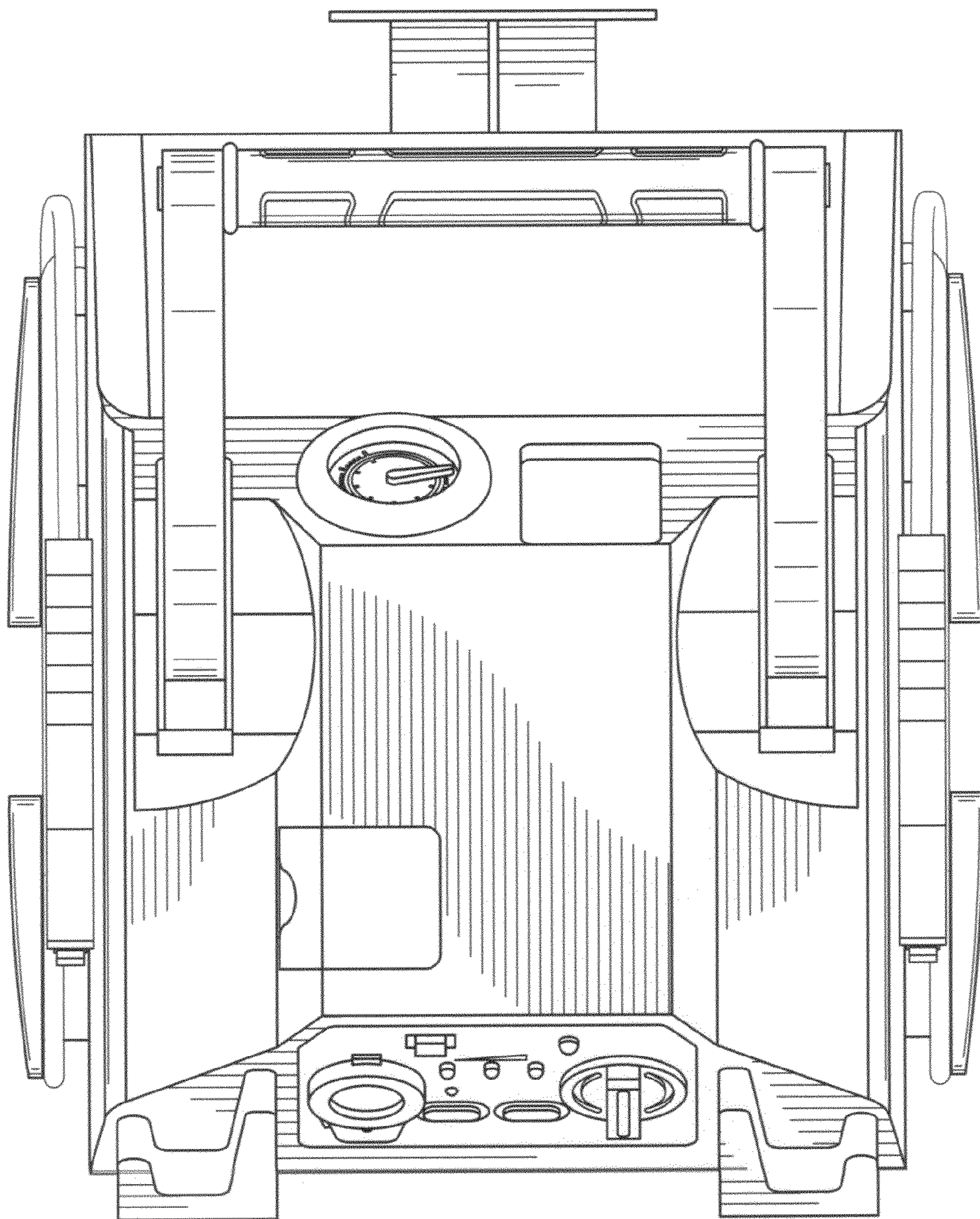


FIG. 3

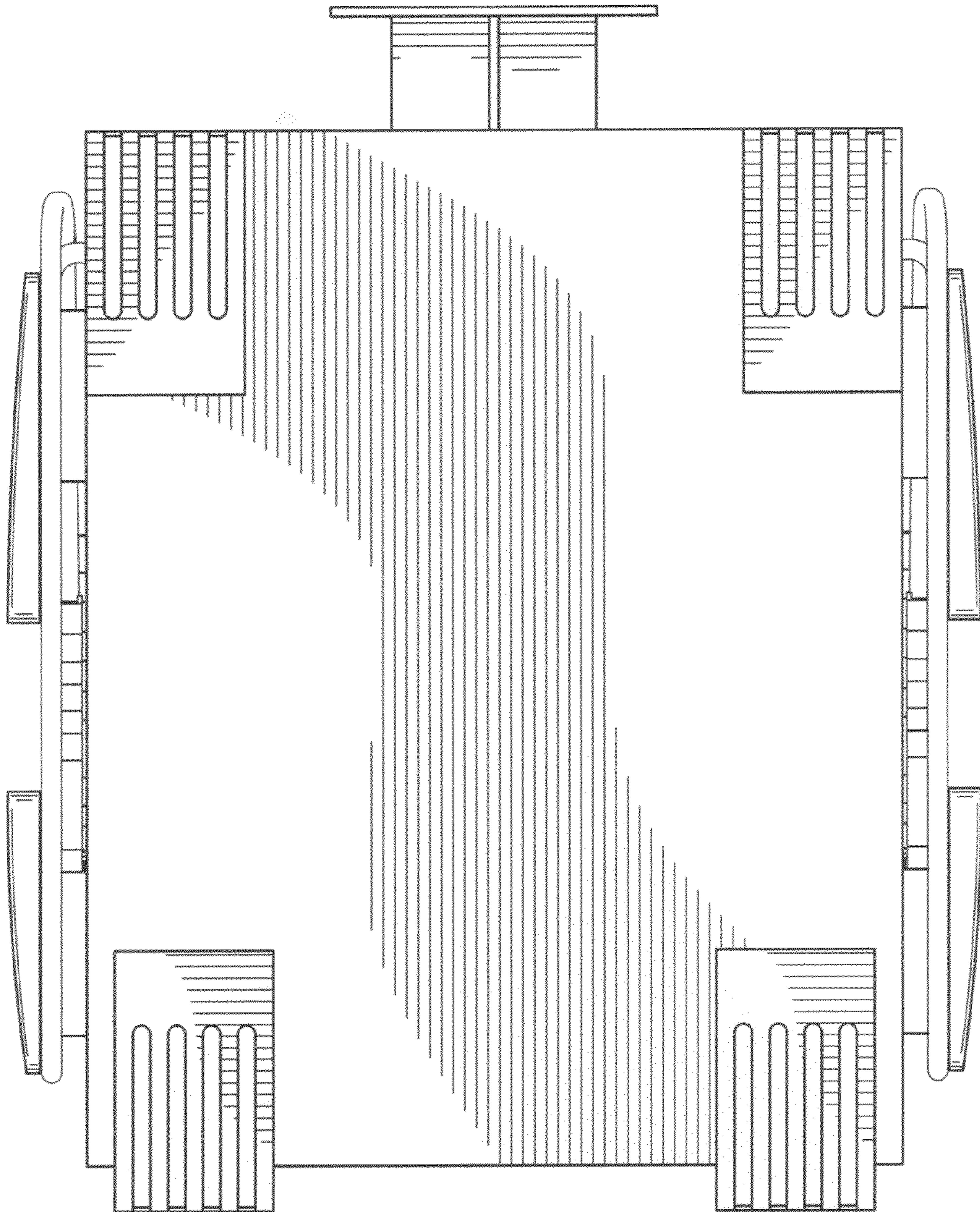


FIG. 4

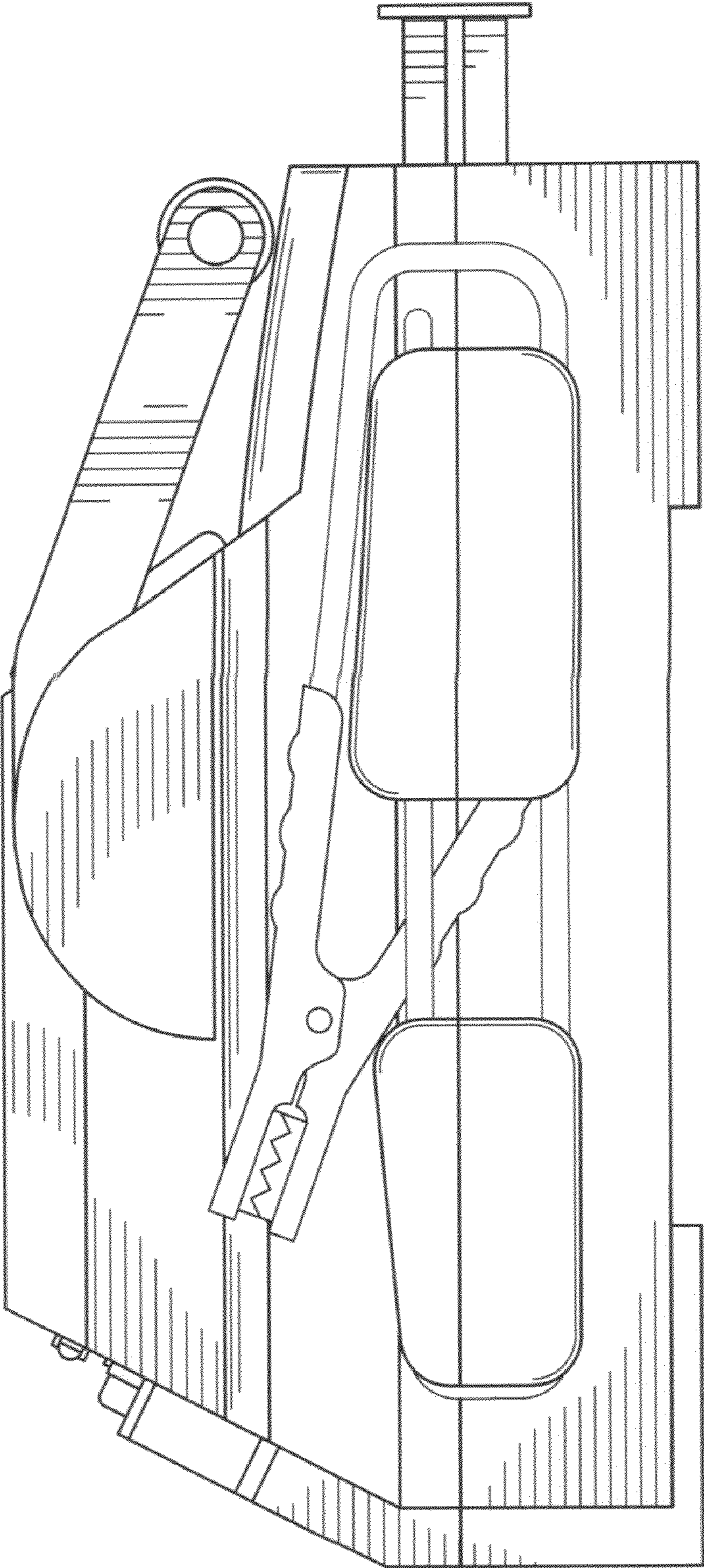


FIG. 5

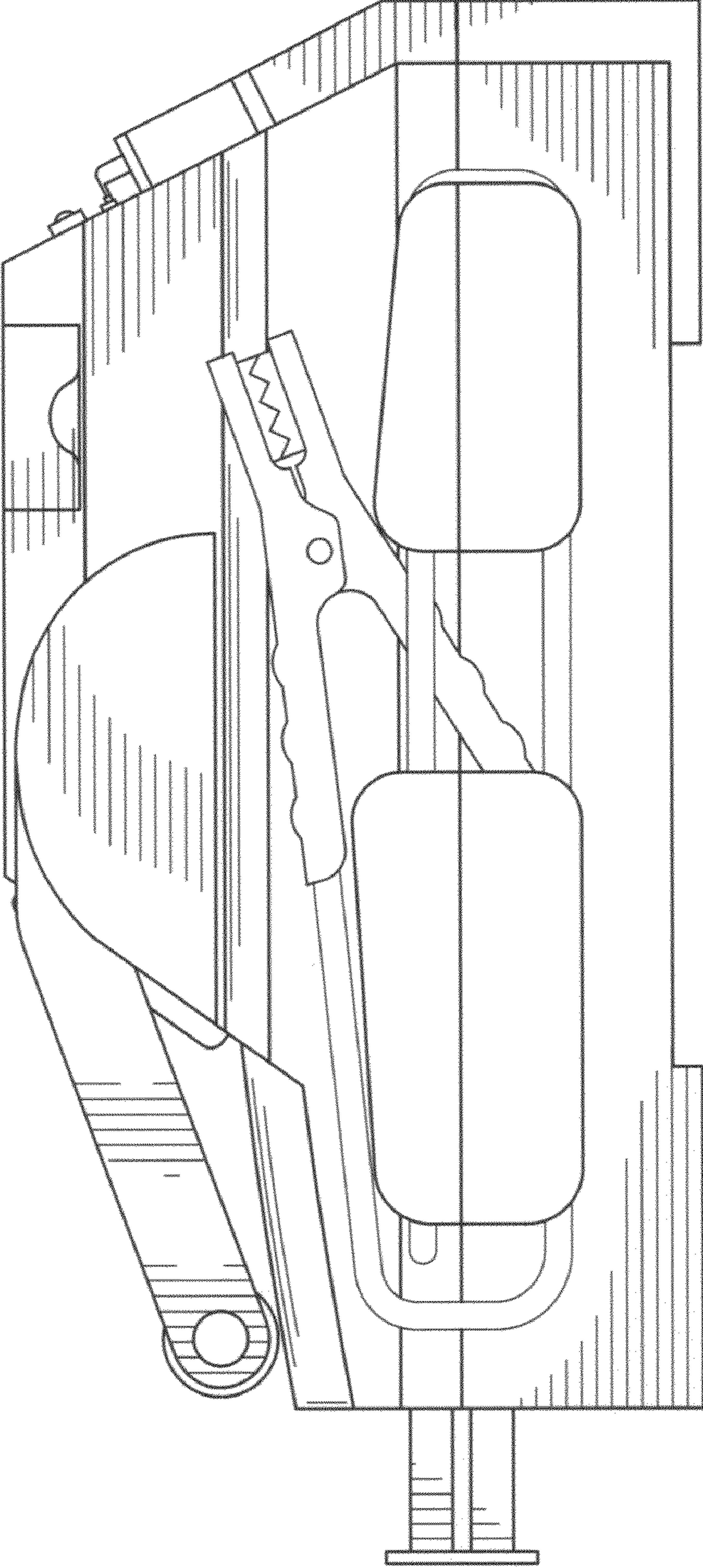


FIG. 6

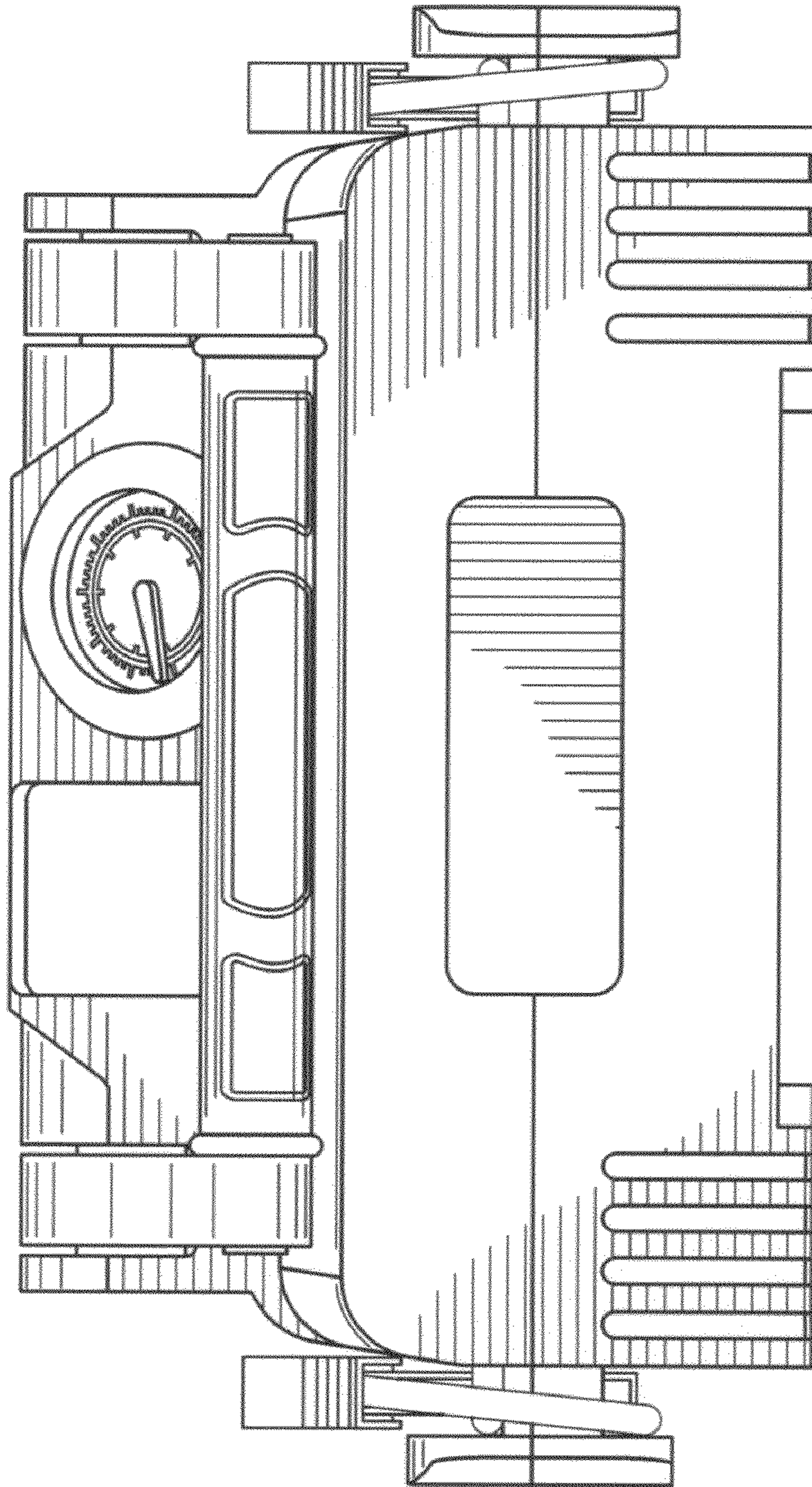


FIG. 7

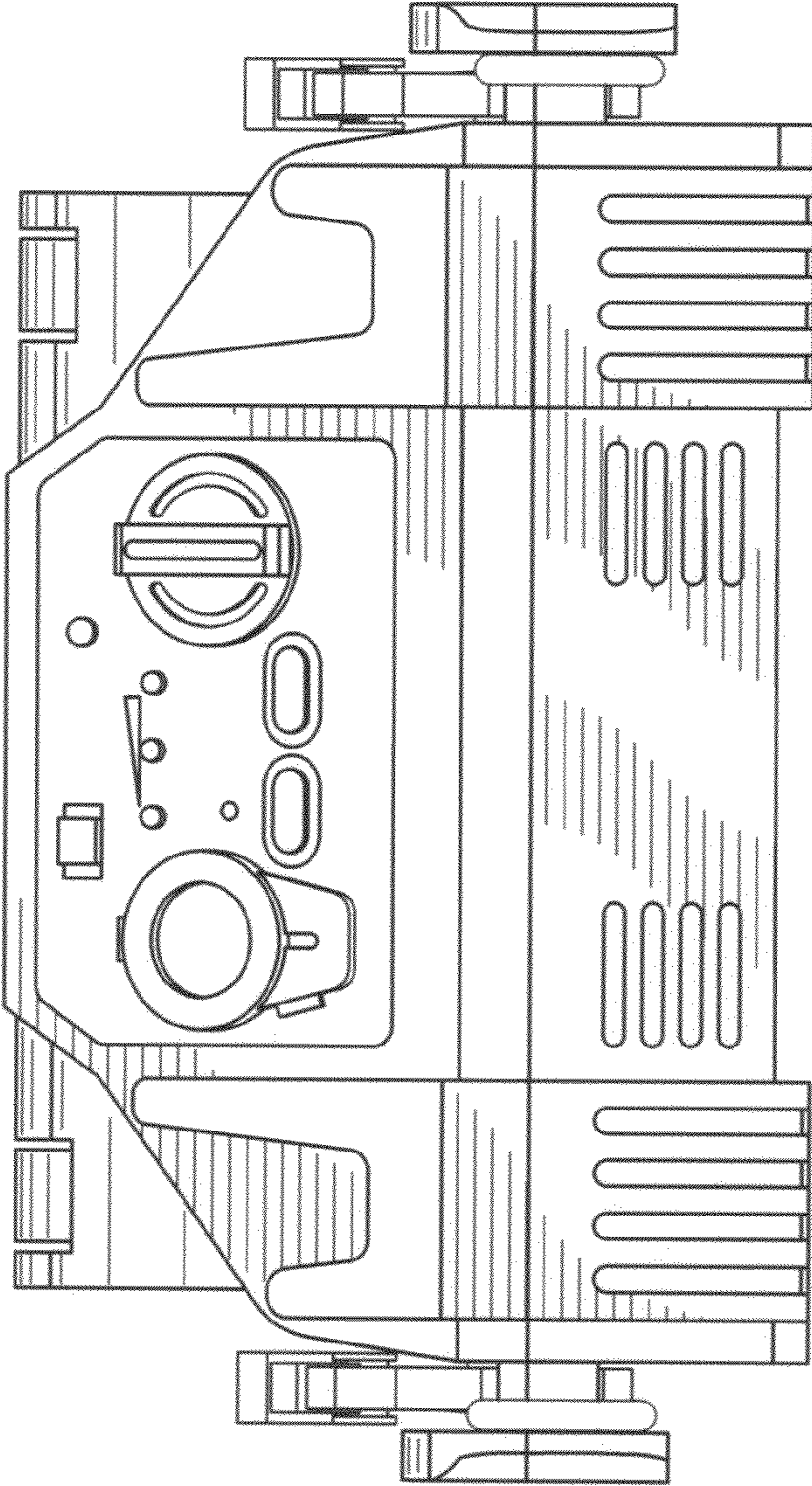


FIG. 8

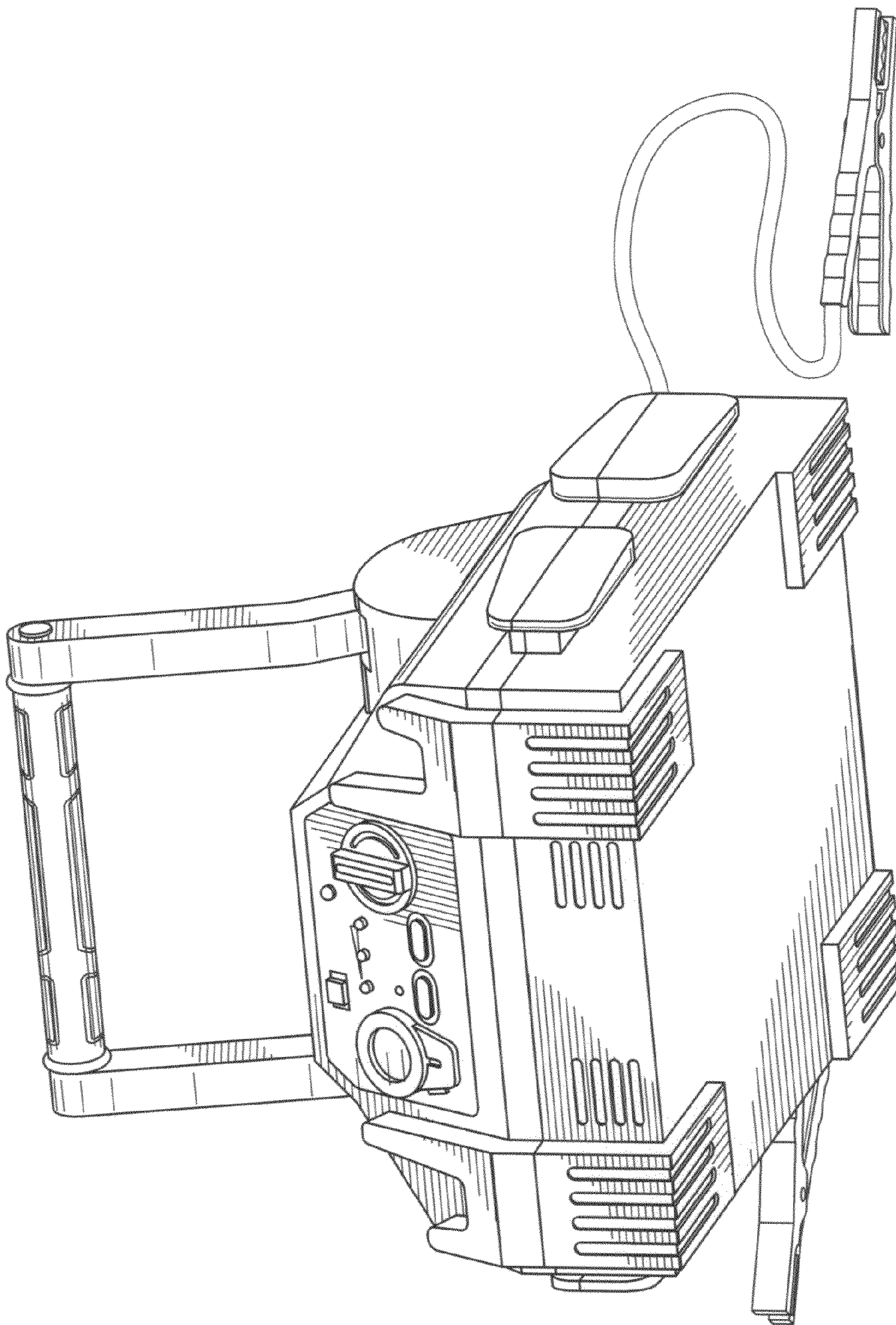


FIG. 9

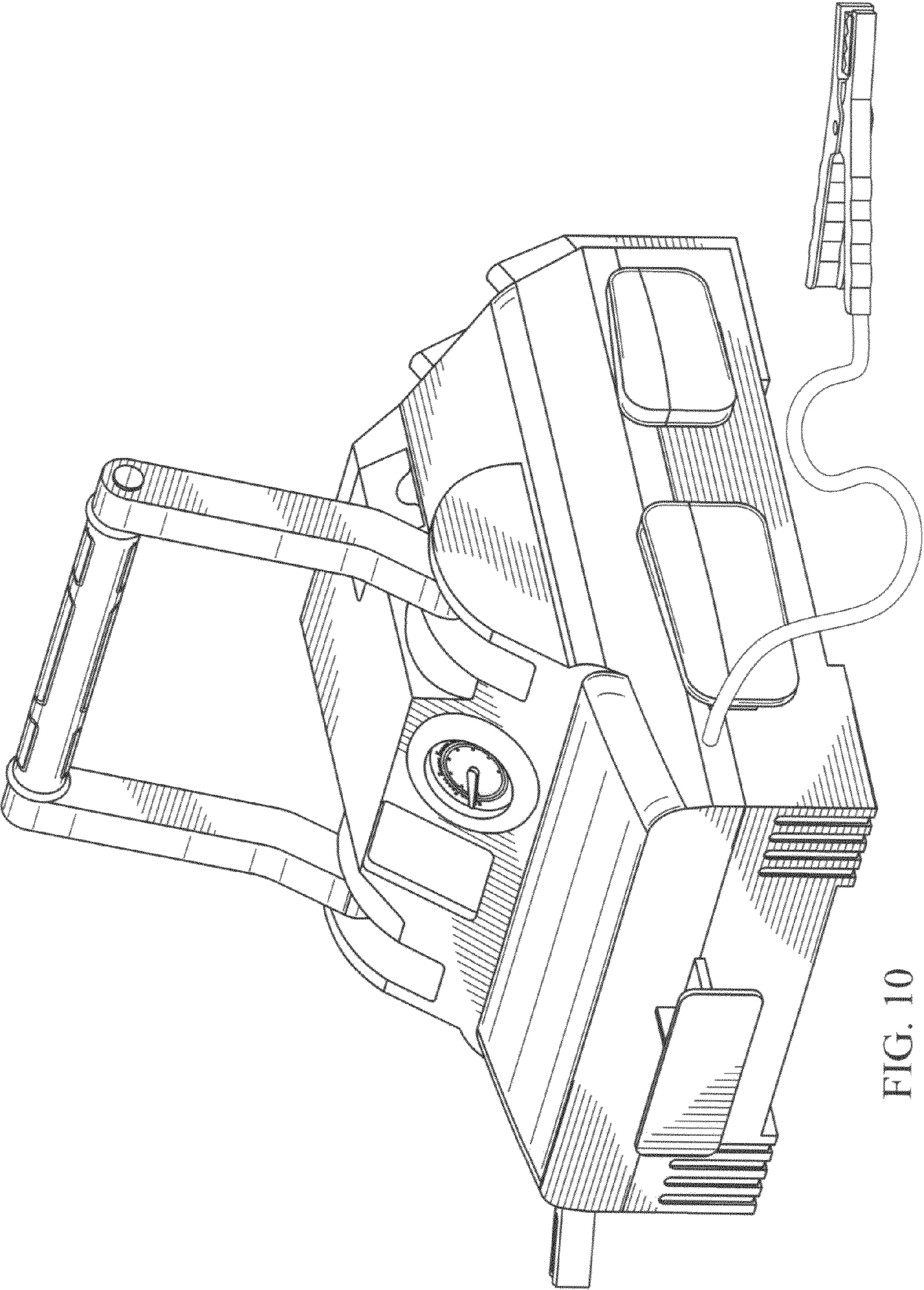


FIG. 10