



US00D660788S

(12) **United States Design Patent**  
**Ziring et al.**

(10) **Patent No.:** **US D660,788 S**

(45) **Date of Patent:** **\*\* May 29, 2012**

(54) **BATTERY**

(75) Inventors: **Jonathan Ziring**, Portland, OR (US);  
**Jun Young Park**, Plano, TX (US)

(73) Assignee: **Blount, Inc.**, Portland, OR (US)

(\*\*) Term: **14 Years**

(21) Appl. No.: **29/386,835**

(22) Filed: **Mar. 4, 2011**

(51) **LOC (9) Cl.** ..... **13-02**

(52) **U.S. Cl.** ..... **D13/103**

(58) **Field of Classification Search** ..... D13/102-106,  
D13/110, 118-119, 184, 199; 429/96-100,  
429/163, 176

See application file for complete search history.

(56) **References Cited**

**U.S. PATENT DOCUMENTS**

|           |    |   |         |                     |       |         |
|-----------|----|---|---------|---------------------|-------|---------|
| D375,937  | S  | * | 11/1996 | Mergenthaler et al. | ..... | D13/110 |
| 6,573,000 | B1 | * | 6/2003  | Miyazaki et al.     | ..... | 429/185 |
| D478,608  | S  | * | 8/2003  | Briks et al.        | ..... | D16/237 |
| D522,451  | S  | * | 6/2006  | Hayes et al.        | ..... | D13/103 |
| D538,226  | S  | * | 3/2007  | Lyman et al.        | ..... | D13/119 |
| D614,125  | S  | * | 4/2010  | Tinius              | ..... | D13/103 |
| D623,124  | S  | * | 9/2010  | Nomi et al.         | ..... | D13/103 |
| D624,011  | S  | * | 9/2010  | Bertagnole et al.   | ..... | D13/103 |

|              |    |   |        |               |       |         |
|--------------|----|---|--------|---------------|-------|---------|
| D631,835     | S  | * | 2/2011 | Neidhart      | ..... | D13/103 |
| D632,643     | S  | * | 2/2011 | Tanaka et al. | ..... | D13/103 |
| D642,517     | S  | * | 8/2011 | Inman et al.  | ..... | D13/103 |
| 2010/0219837 | A1 |   | 9/2010 | Rosskamp      |       |         |
| 2010/0221584 | A1 |   | 9/2010 | Reber         |       |         |
| 2010/0221590 | A1 |   | 9/2010 | Reber         |       |         |
| 2010/0221591 | A1 |   | 9/2010 | Rosskamp      |       |         |
| 2010/0221594 | A1 |   | 9/2010 | Rosskamp      |       |         |

\* cited by examiner

*Primary Examiner* — Rosemary K Tarcza

(74) *Attorney, Agent, or Firm* — Schwabe Williamson & Wyatt

(57) **CLAIM**

The ornamental design for a battery, as shown and described.

**DESCRIPTION**

FIG. 1 is a perspective view of a battery, showing our new design;

FIG. 2 is a front view thereof;

FIG. 3 is a rear view thereof;

FIG. 4 is a left-side view thereof;

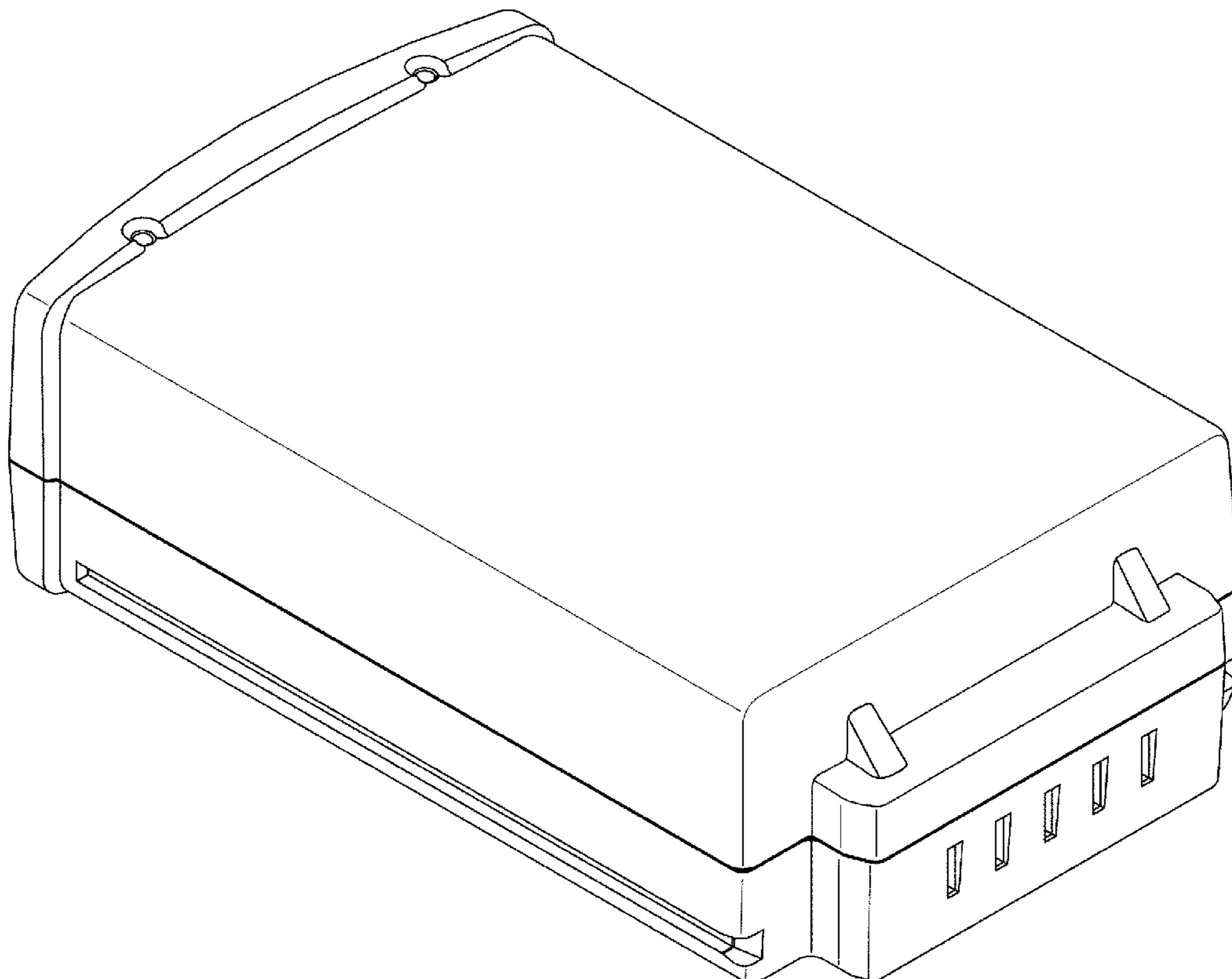
FIG. 5 is a right-side view thereof;

FIG. 6 is a bottom view thereof; and,

FIG. 7 is a top view thereof.

The dashed lines are included for illustrating environmental structure and form no part of the claimed design.

**1 Claim, 6 Drawing Sheets**



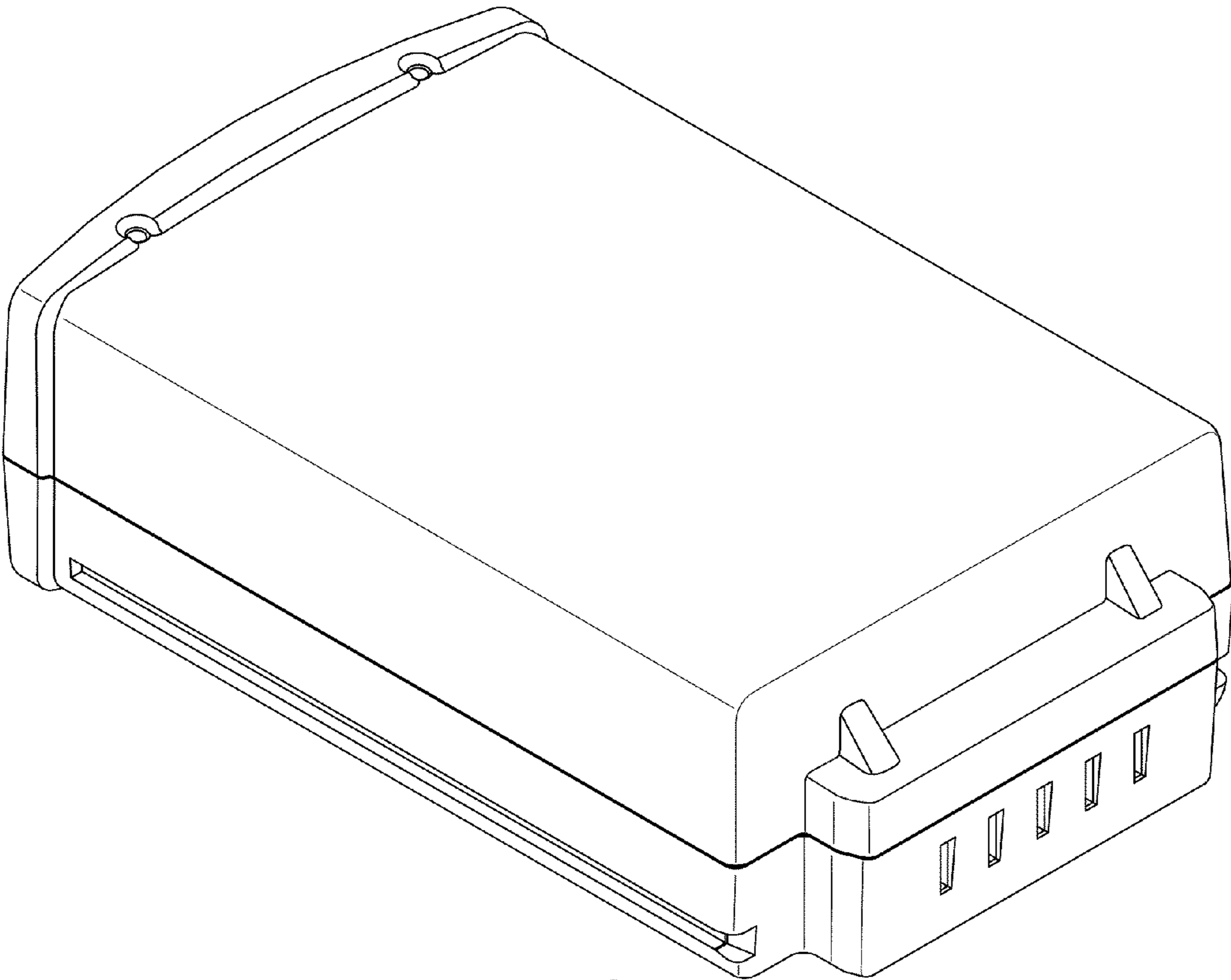


FIG. 1

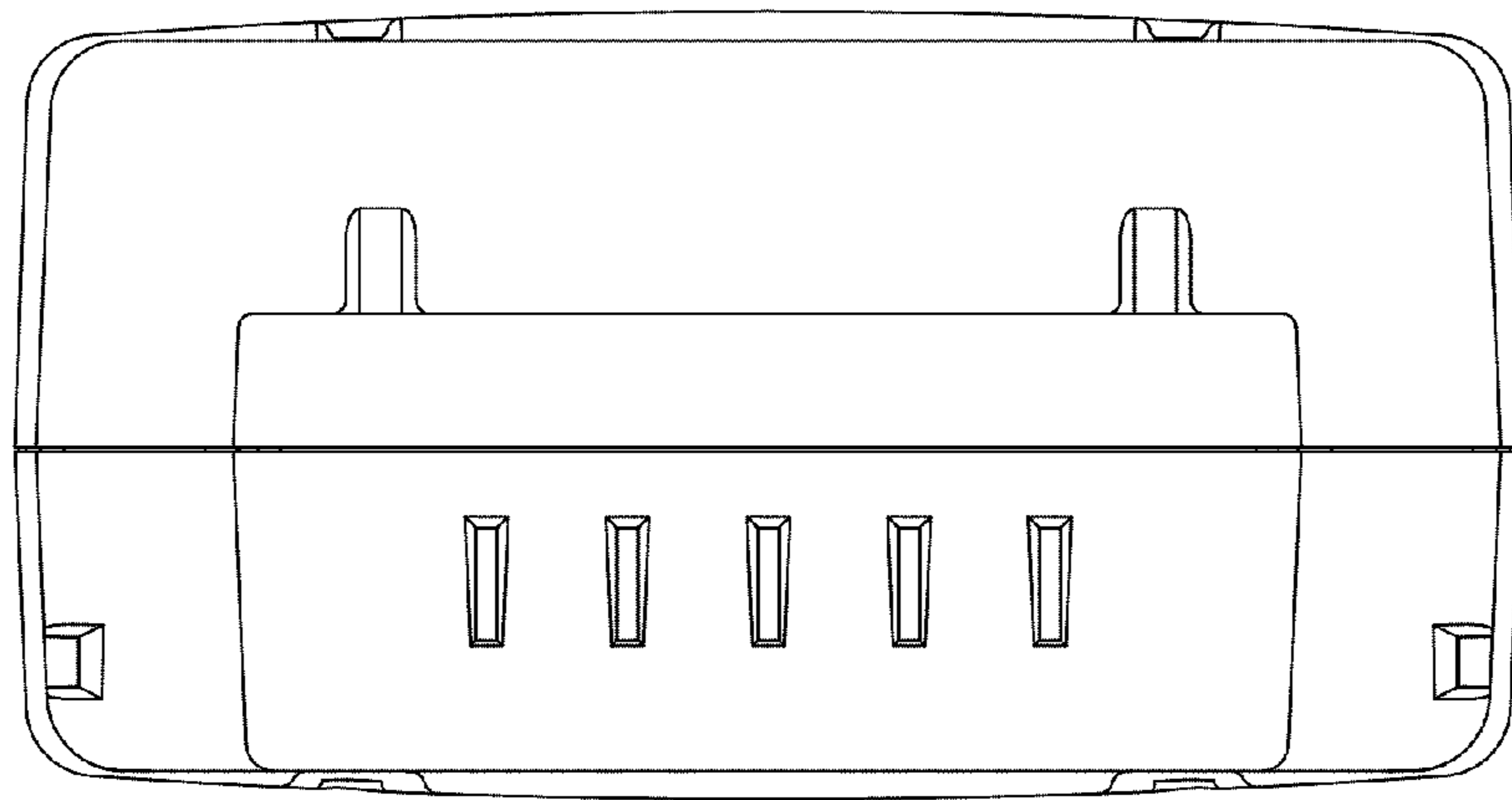


FIG. 2

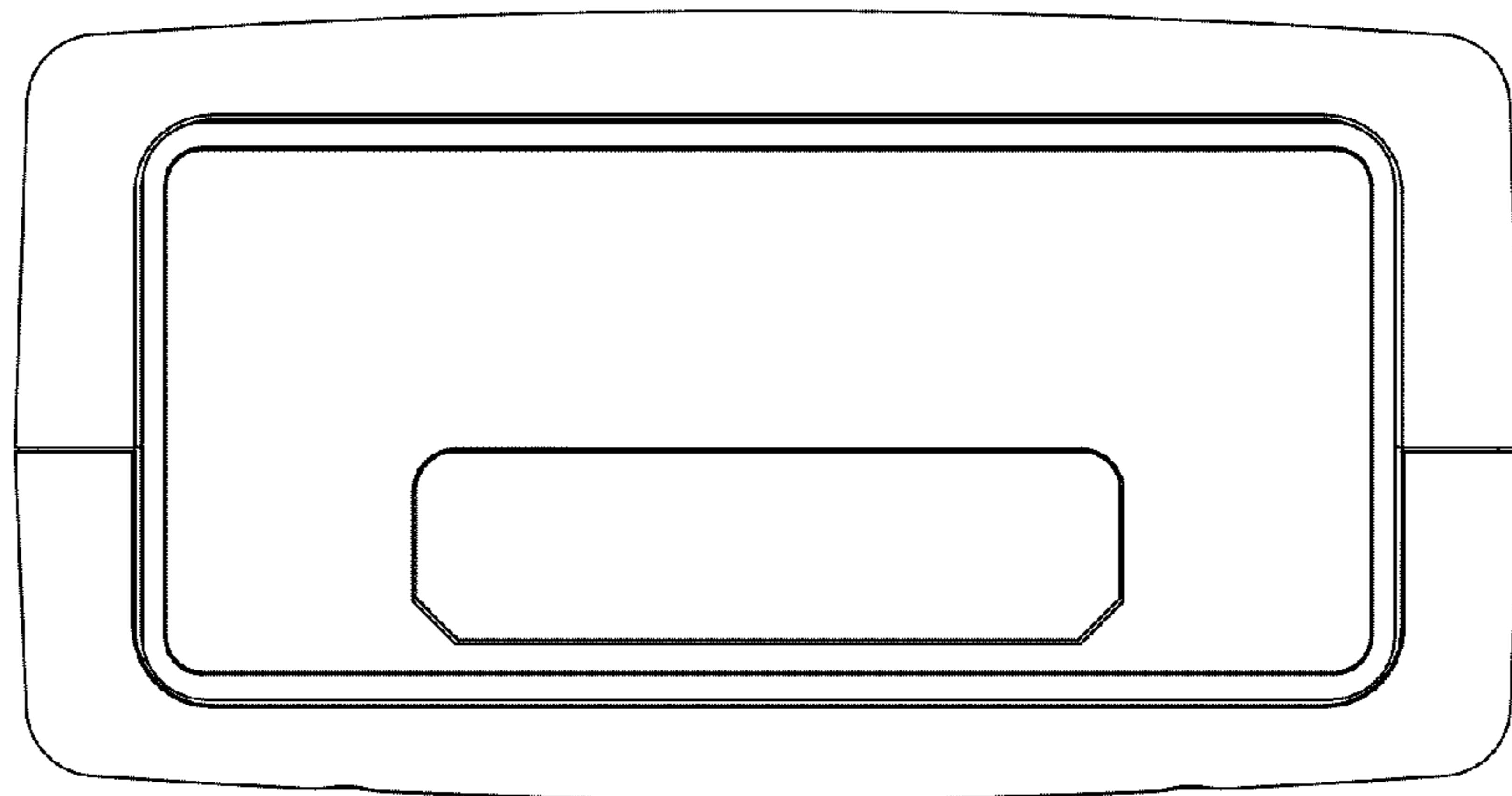


FIG. 3

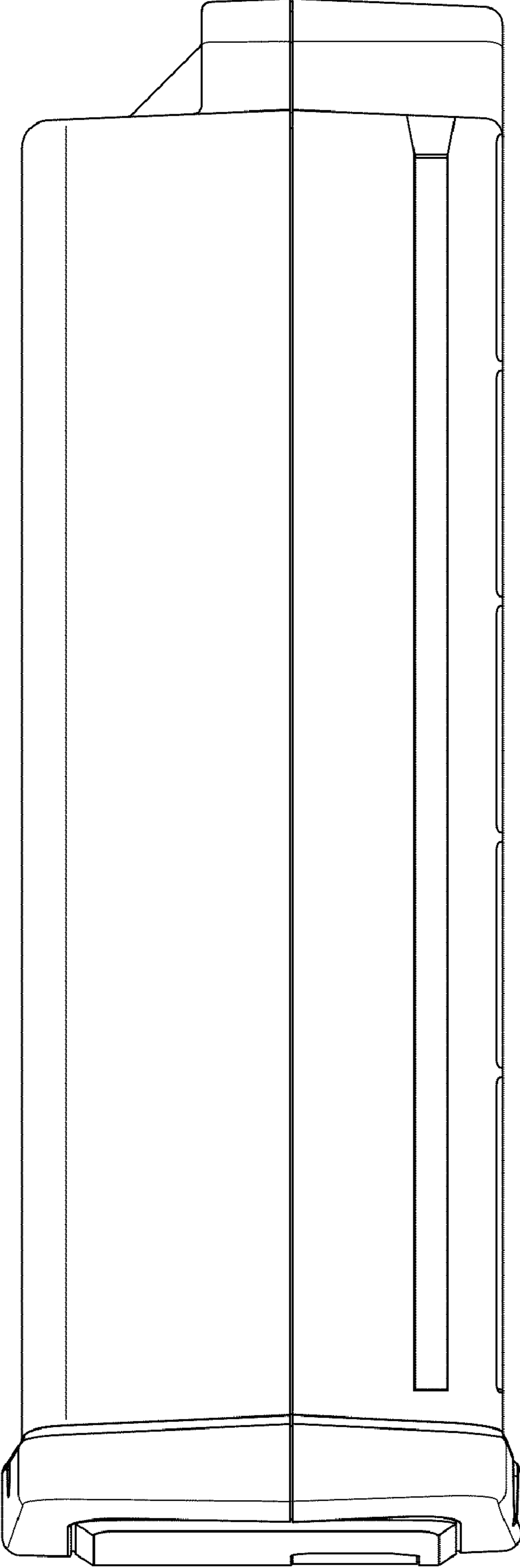


FIG. 4

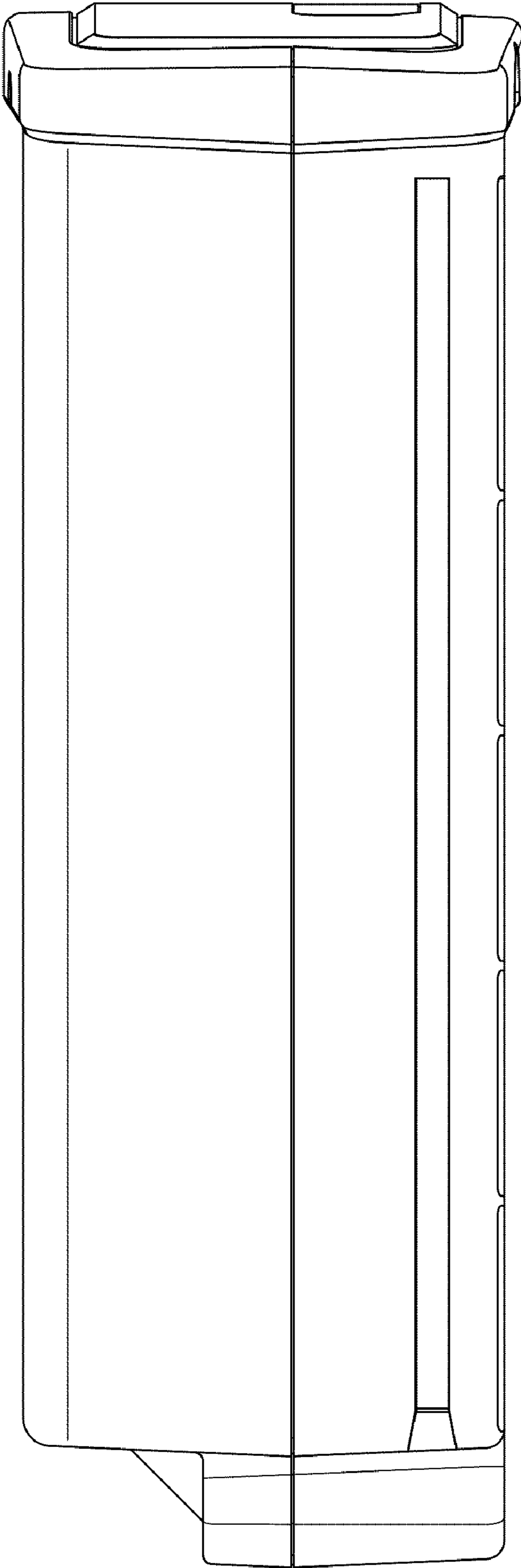


FIG. 5

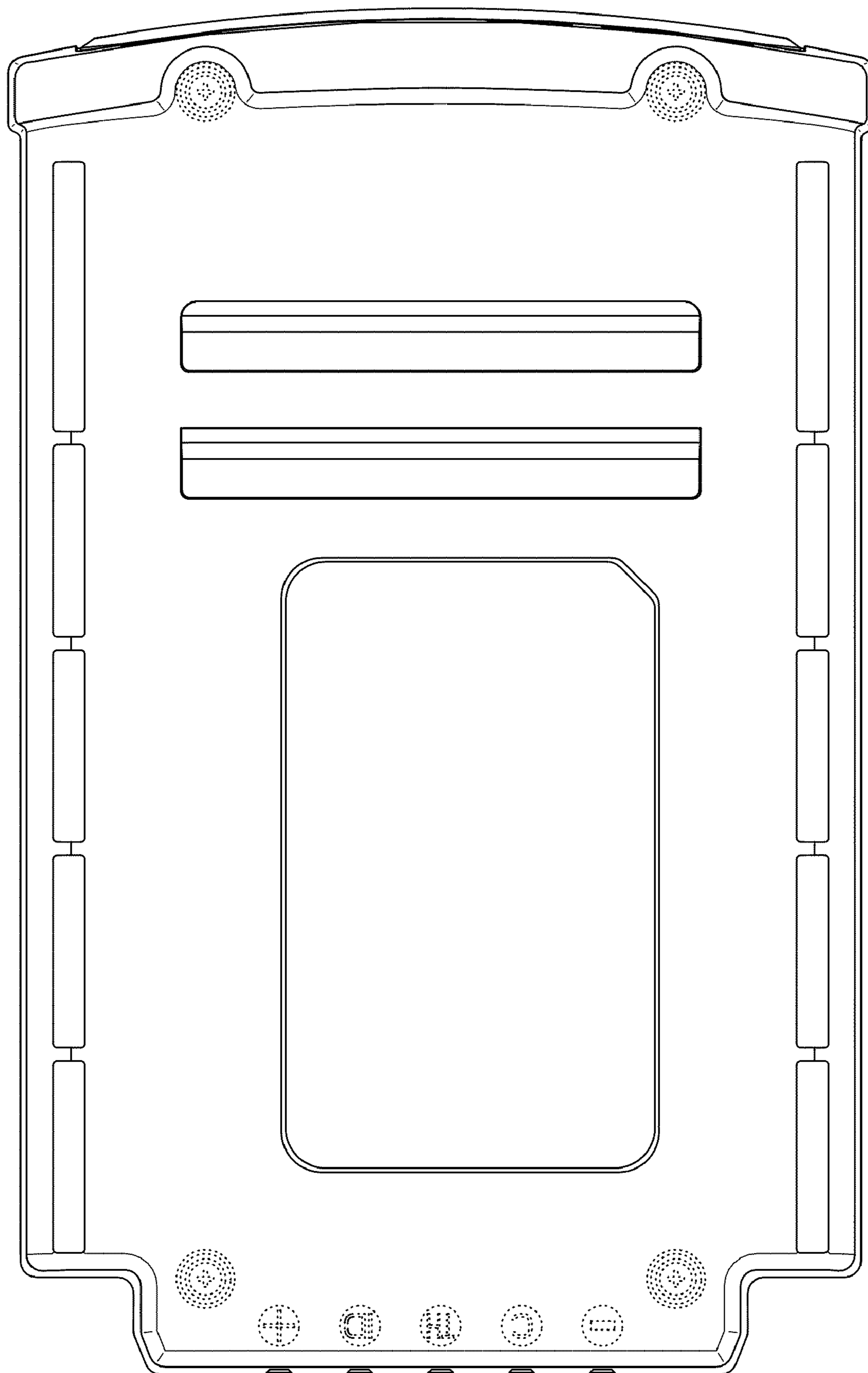


FIG. 6

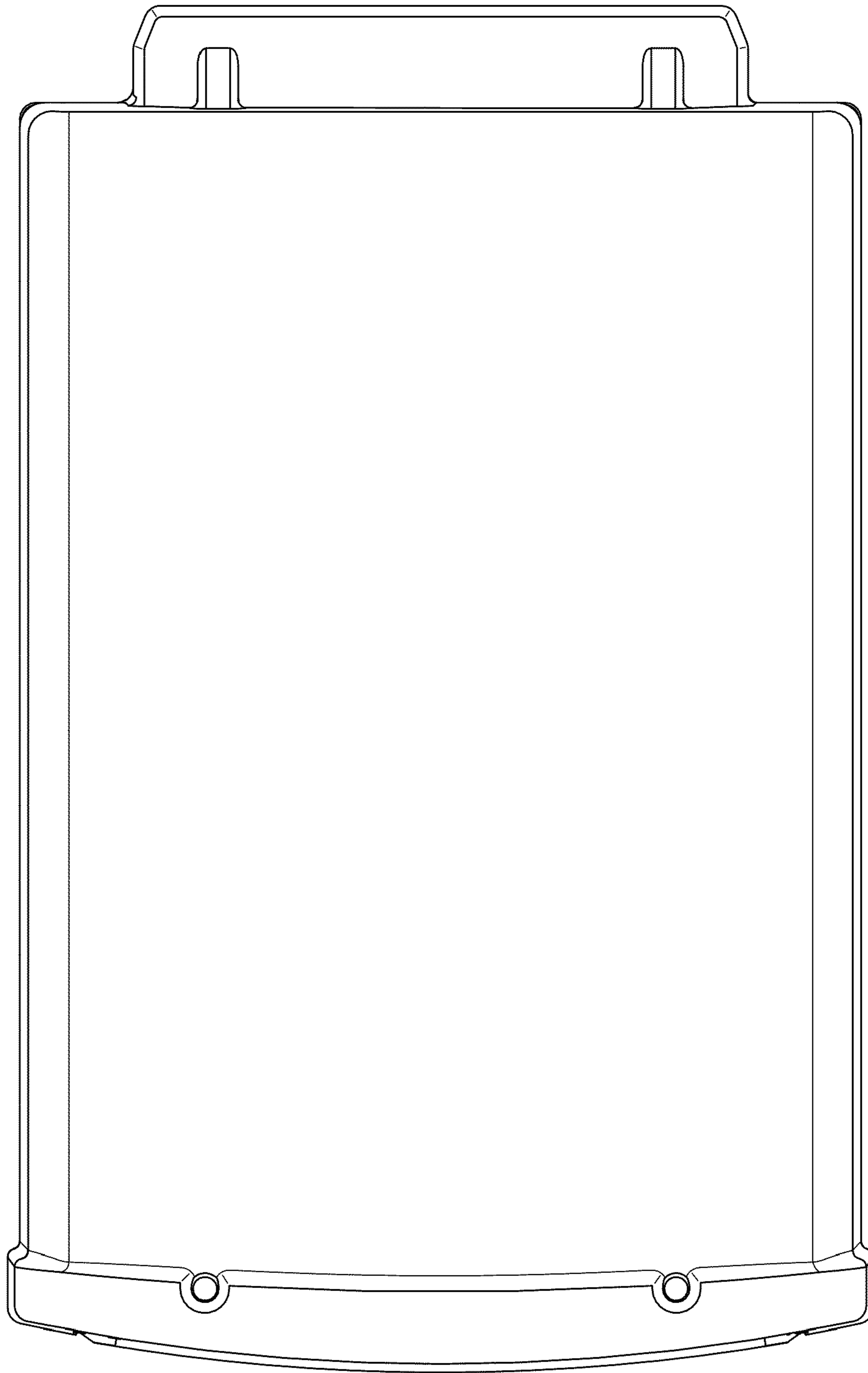


FIG. 7