



US00D660785S

(12) **United States Design Patent**
Tokizaki

(10) **Patent No.:** **US D660,785 S**

(45) **Date of Patent:** **** *May 29, 2012**

(54) **AUTOMOBILE TIRE**

(75) Inventor: **Hiroshi Tokizaki**, Tokyo (JP)

(73) Assignee: **The Yokohama Rubber Co., Ltd.** (JP)

(*) Notice: This patent is subject to a terminal disclaimer.

(**) Term: **14 Years**

(21) Appl. No.: **29/397,454**

(22) Filed: **Jul. 15, 2011**

(30) **Foreign Application Priority Data**

Jan. 18, 2011 (JP) D2011-000896

(51) **LOC (9) Cl.** **12-15**

(52) **U.S. Cl.** **D12/605**

(58) **Field of Classification Search** D12/500-501,
D12/544, 579, 600-605; 152/523-524, DIG. 12,
152/555; D7/588, 396.4-396.5

See application file for complete search history.

(56) **References Cited**

U.S. PATENT DOCUMENTS

D503,146 S *	3/2005	Maxwell et al.	D12/605
D550,150 S *	9/2007	Shondel et al.	D12/605
D568,236 S *	5/2008	Holden et al.	D12/605
D579,867 S *	11/2008	Behr et al.	D12/605

D581,353 S *	11/2008	Harvey	D12/605
D585,018 S *	1/2009	Shondel	D12/605
D639,727 S *	6/2011	Tokizaki	D12/605

* cited by examiner

Primary Examiner — Stacia Cadmus

(74) *Attorney, Agent, or Firm* — Banner & Witcoff, Ltd.

(57) **CLAIM**

The ornamental design for an automobile tire, as shown and described.

DESCRIPTION

FIG. 1 is a perspective view of front and right side of an automobile tire showing my new design;

FIG. 2 is a front view thereof;

FIG. 3 is a rear view thereof;

FIG. 4 is a top plan view thereof;

FIG. 5 is a bottom view thereof;

FIG. 6 is a left side view thereof;

FIG. 7 is a right side view thereof;

FIG. 8 is an enlarged view at 8-8 shown in FIG. 1 thereof;

FIG. 9 is an enlarged view at 9-9 shown in FIG. 2 thereof;

FIG. 10 is an enlarged view at 10-10 shown in FIG. 9 thereof;

FIG. 11 is an enlarged view at 11-11 shown in FIG. 9 thereof;

and,

FIG. 12 is an ended view at 12-12 shown in FIG. 10 thereof.

The portions of the article in broken lines are shown for illustrative purposes only and form no part of the claimed design.

1 Claim, 9 Drawing Sheets

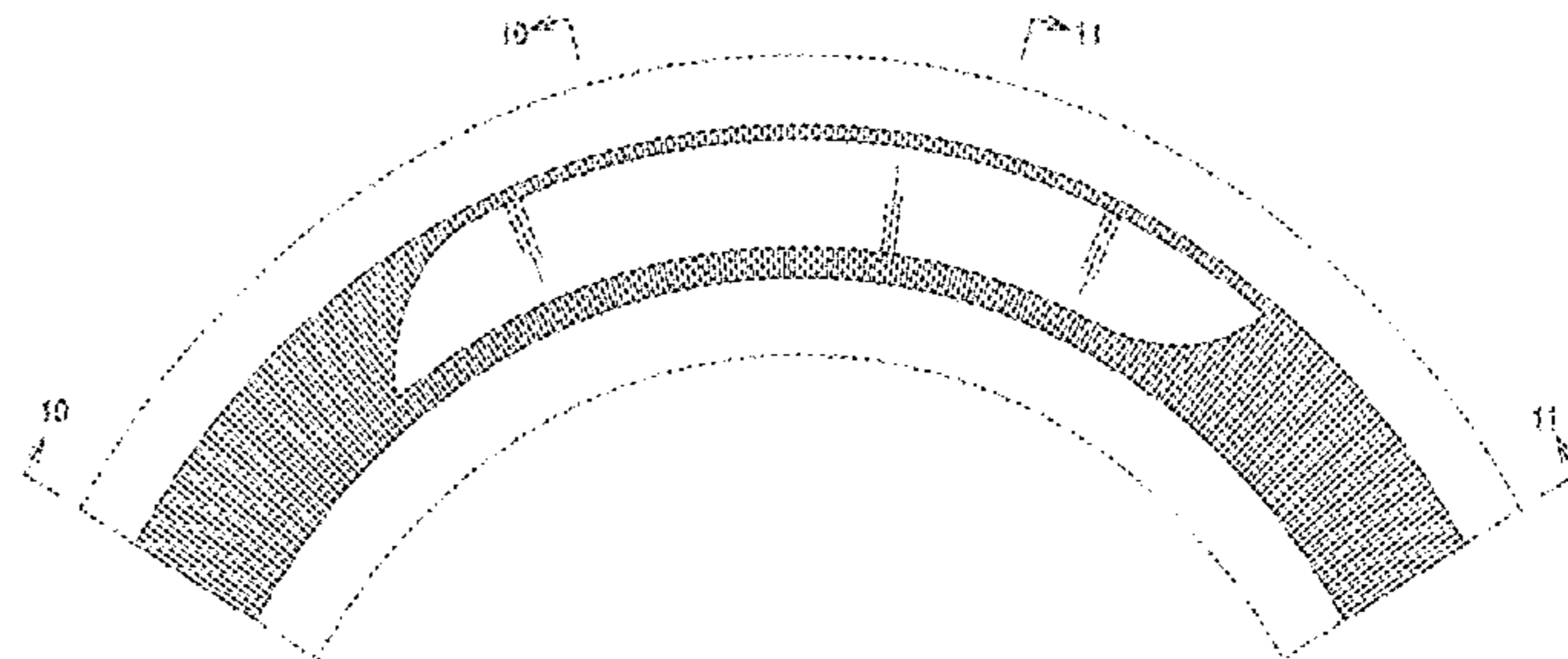
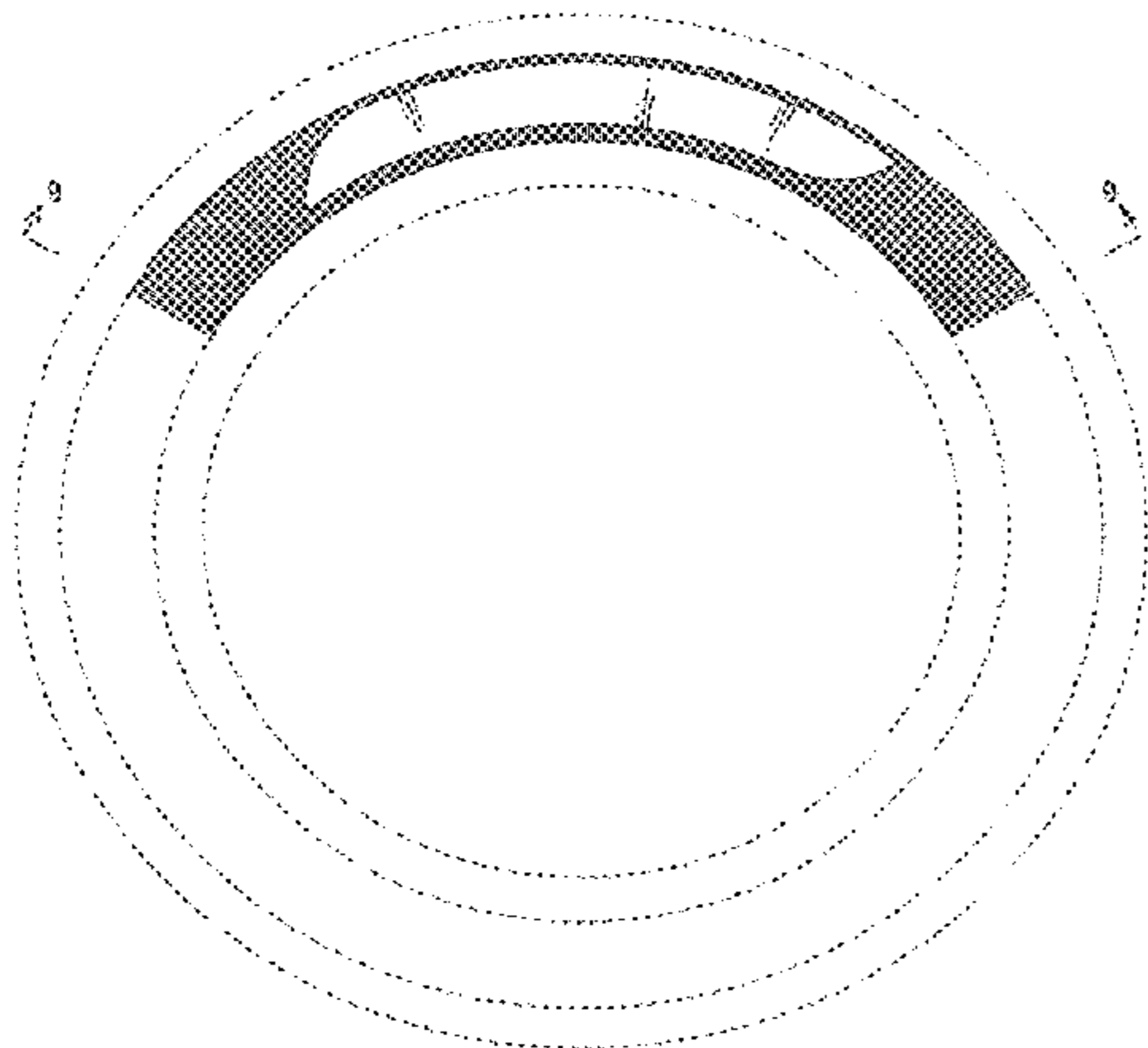


Fig. 1

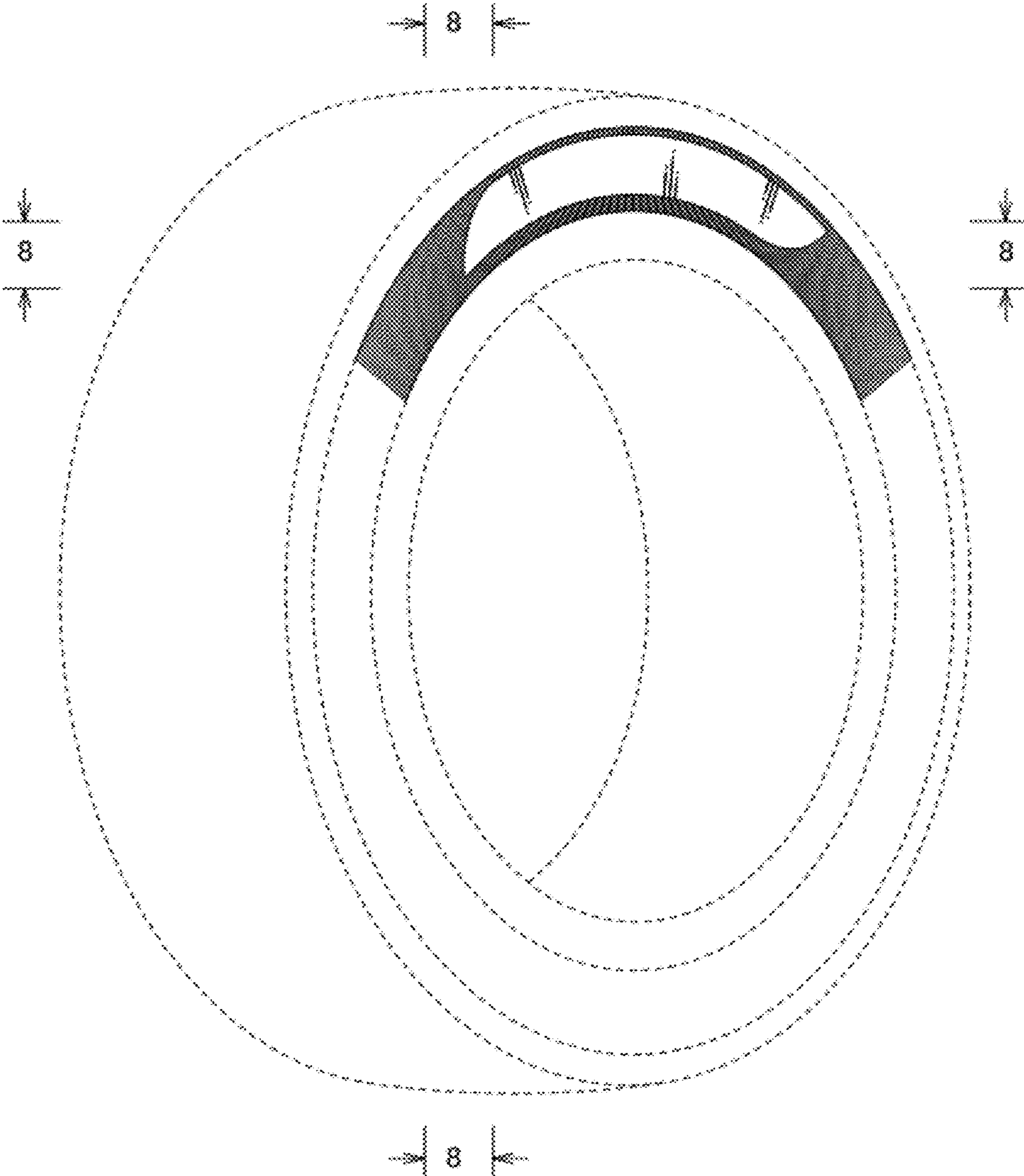


Fig. 2

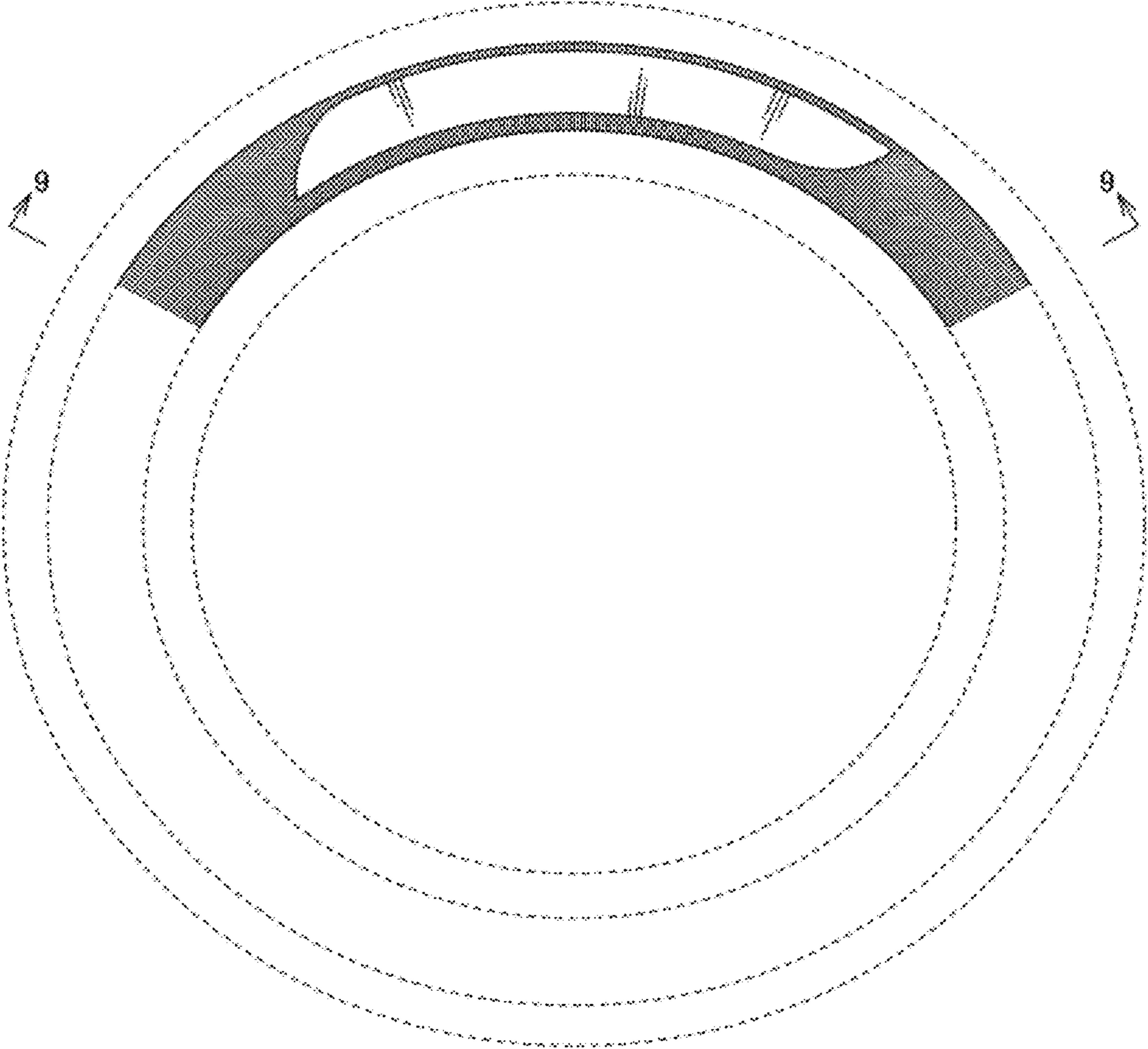


Fig. 3

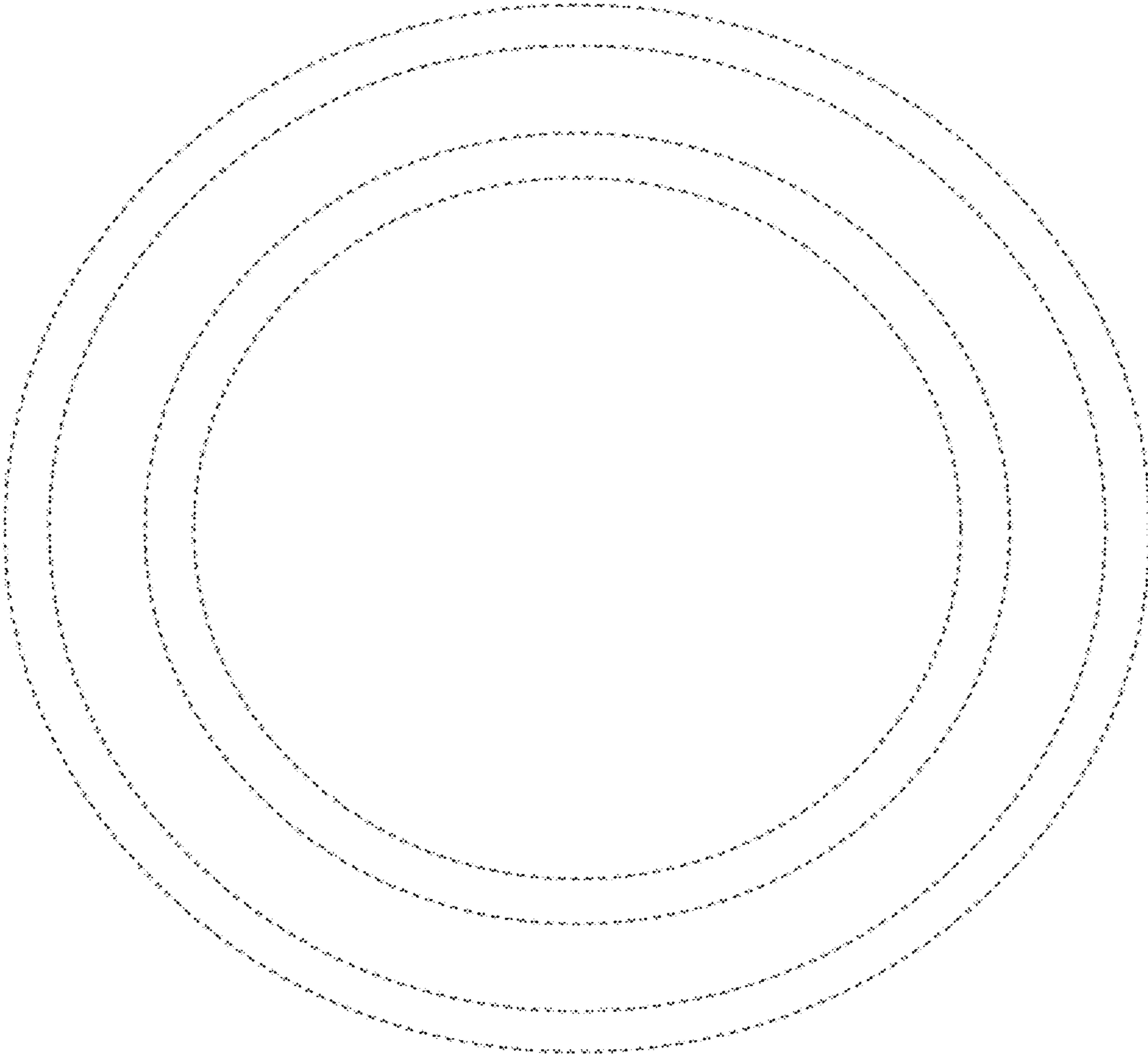


Fig. 4

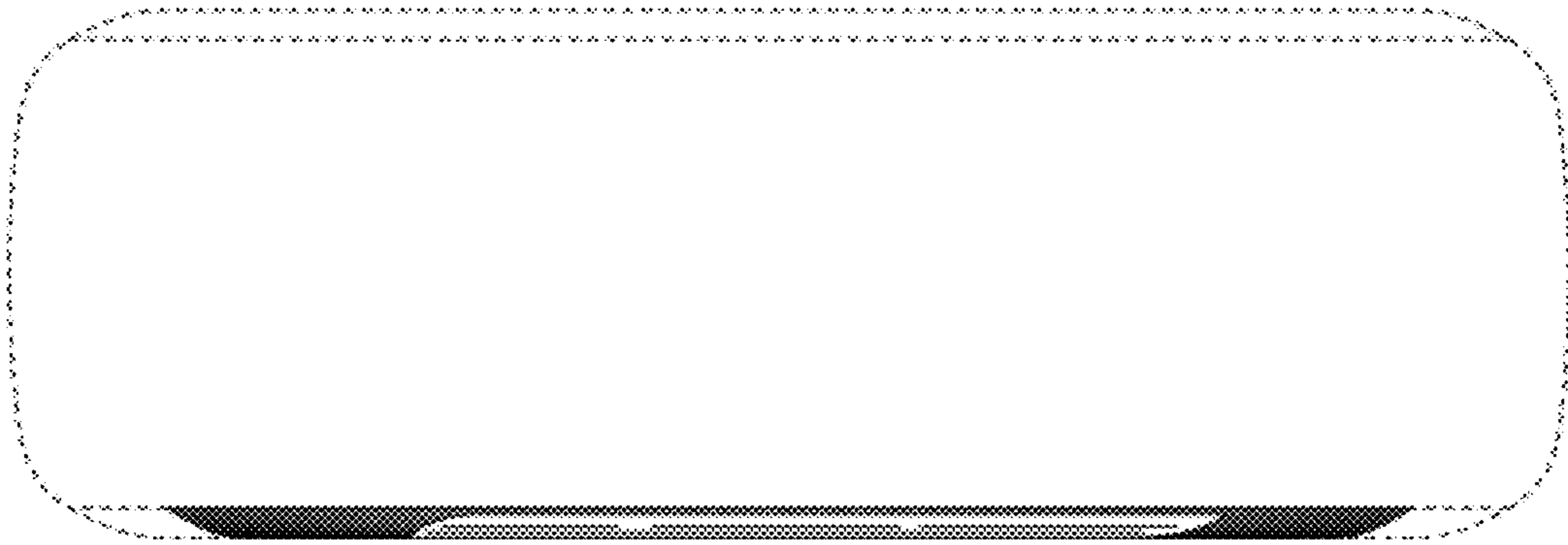


Fig. 5

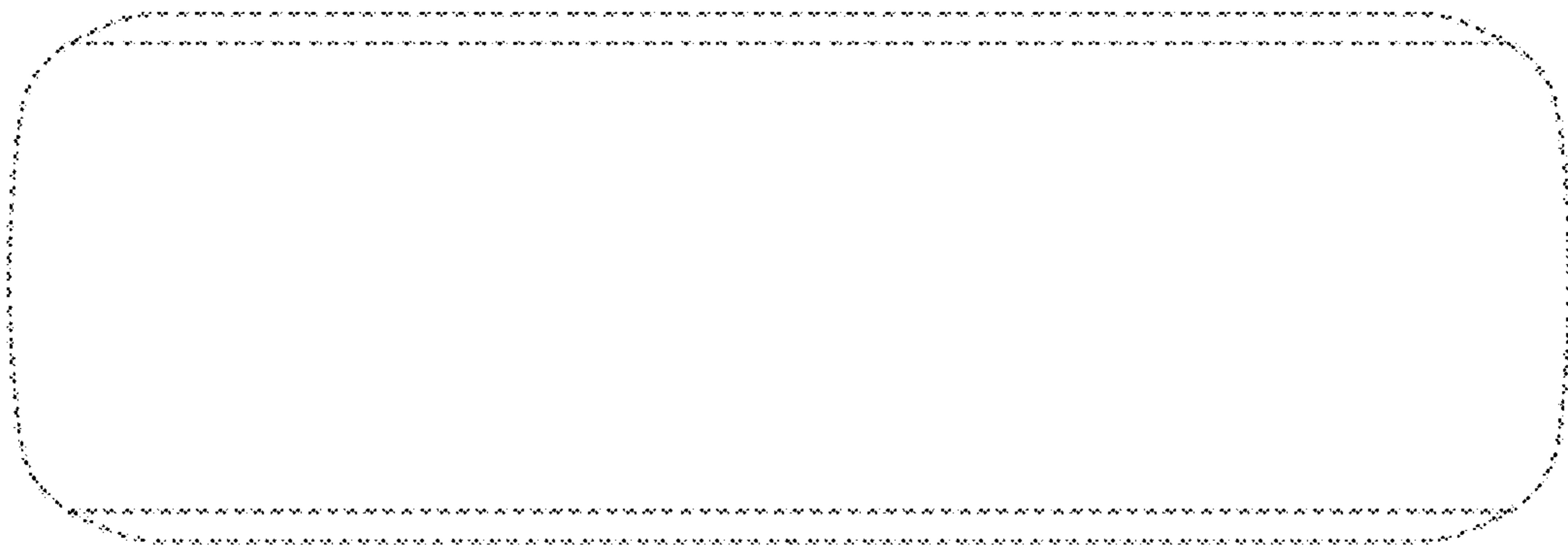


Fig. 6

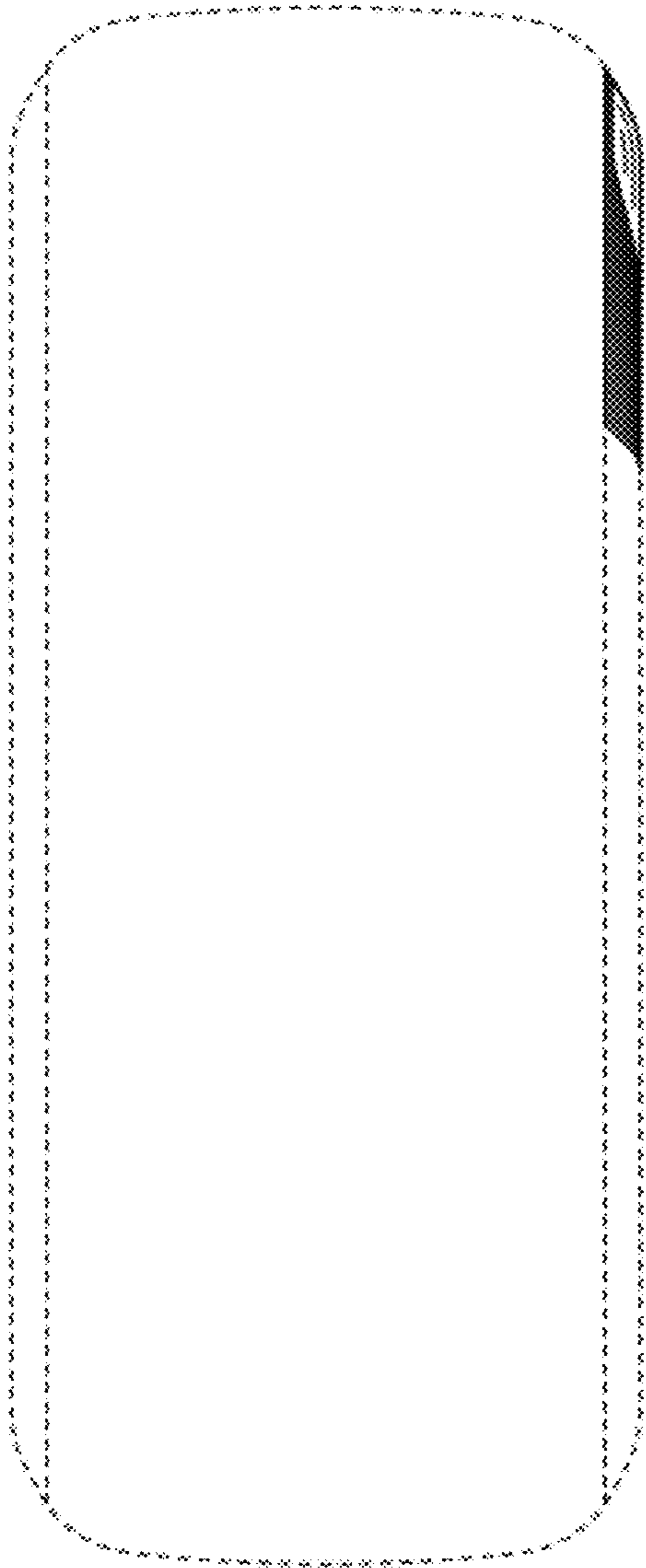


Fig. 7

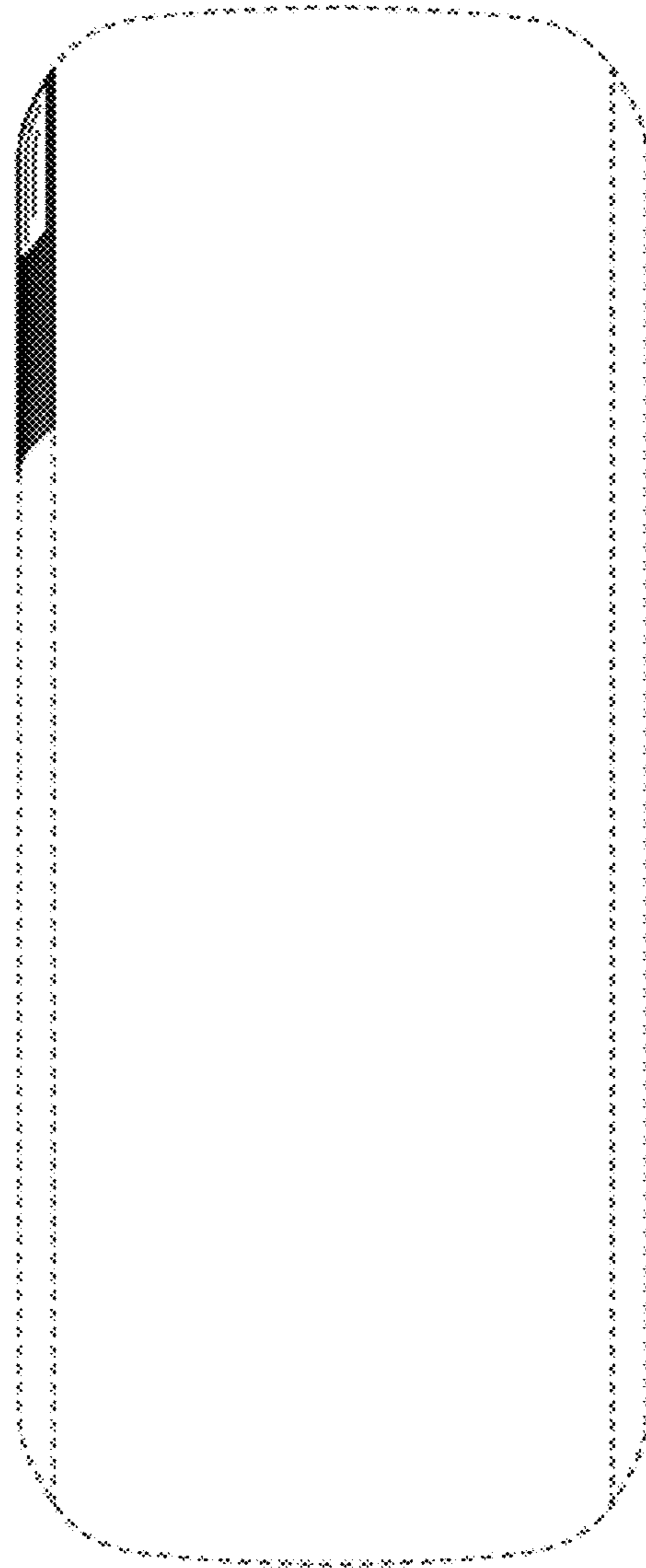


Fig. 8

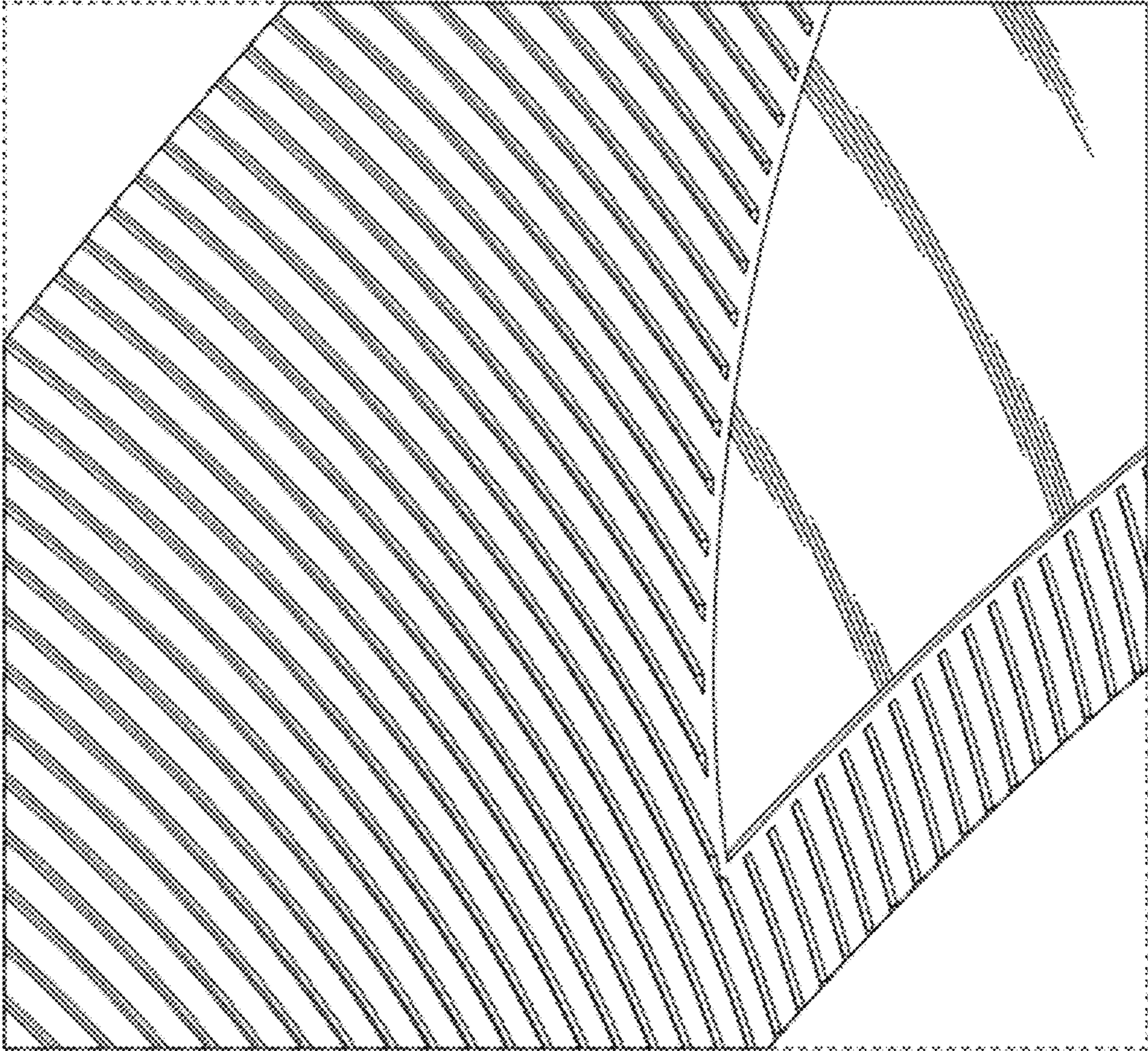


Fig. 9

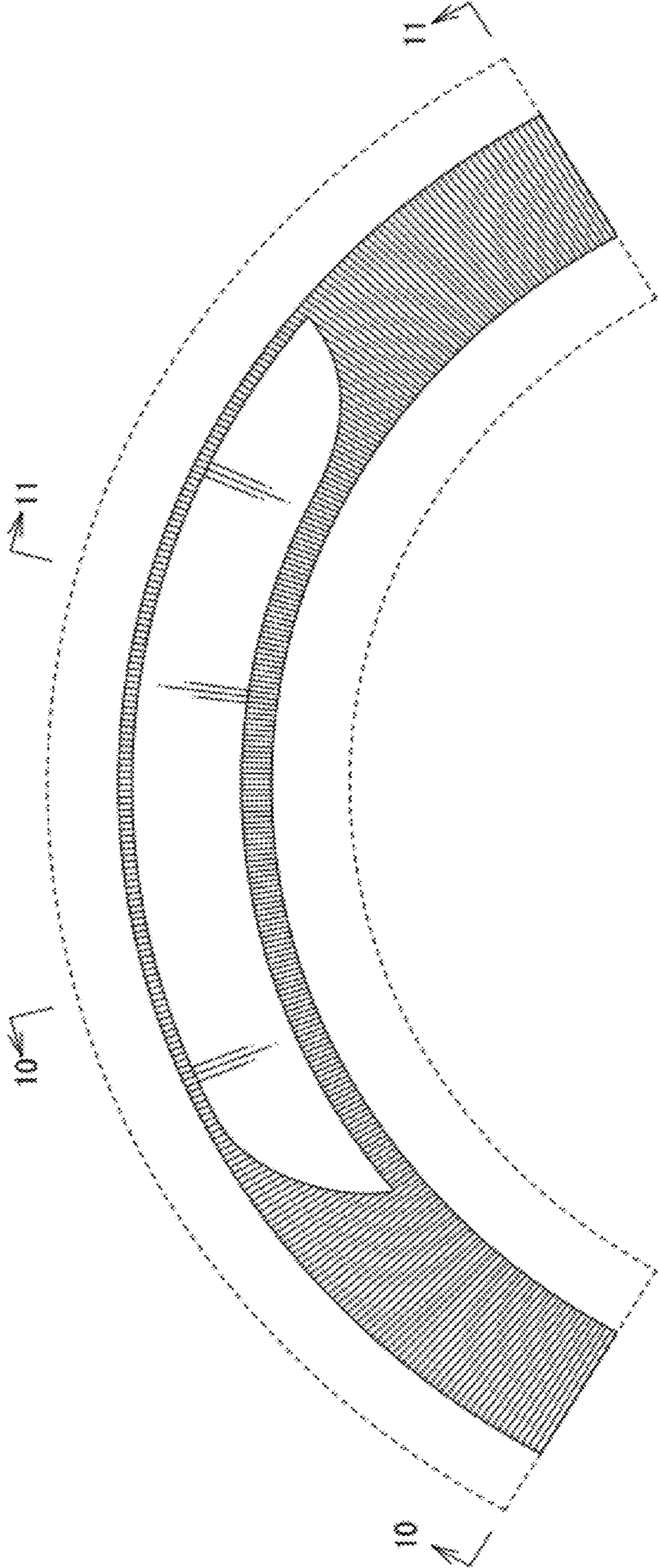


Fig. 10

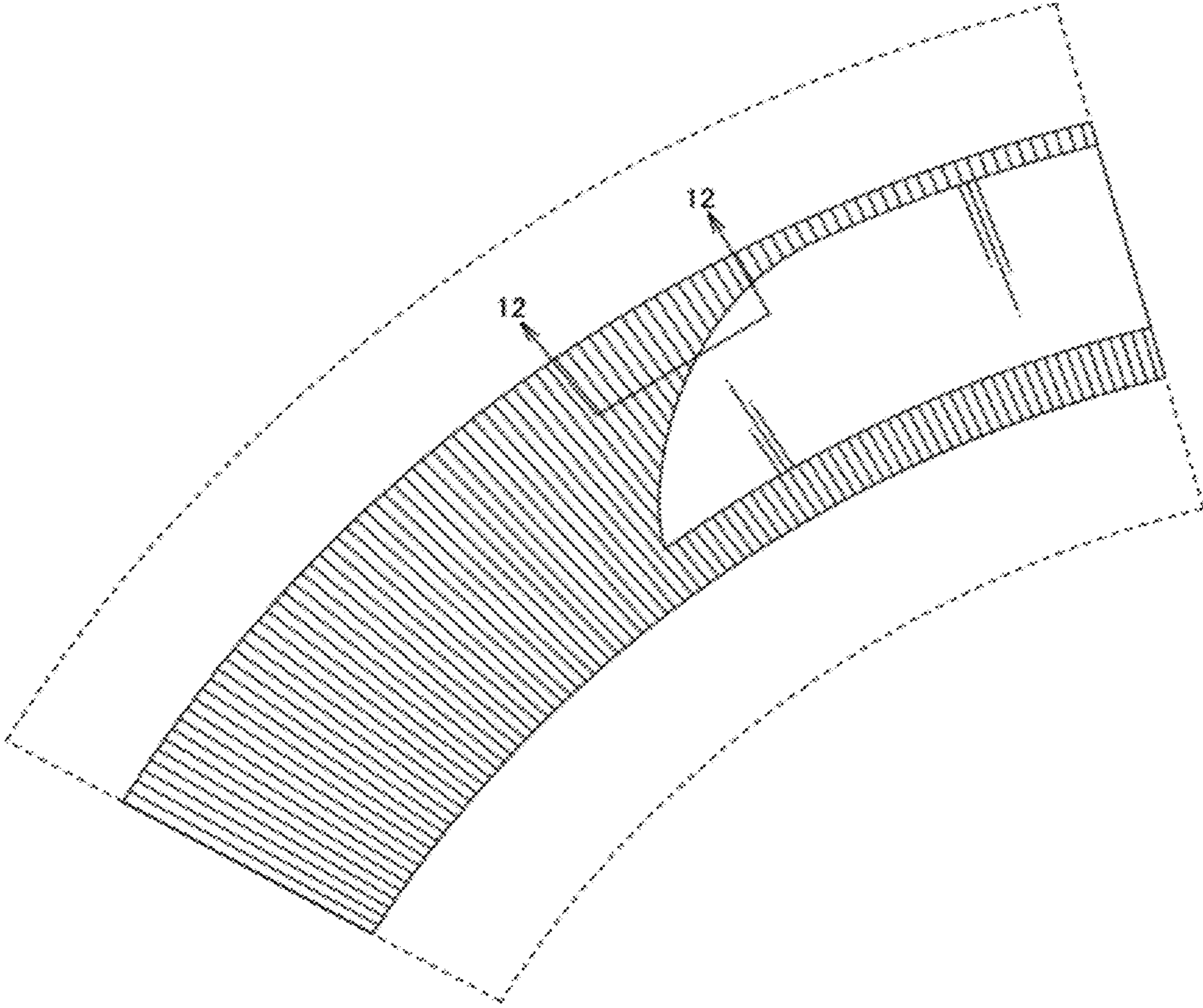


Fig. 11

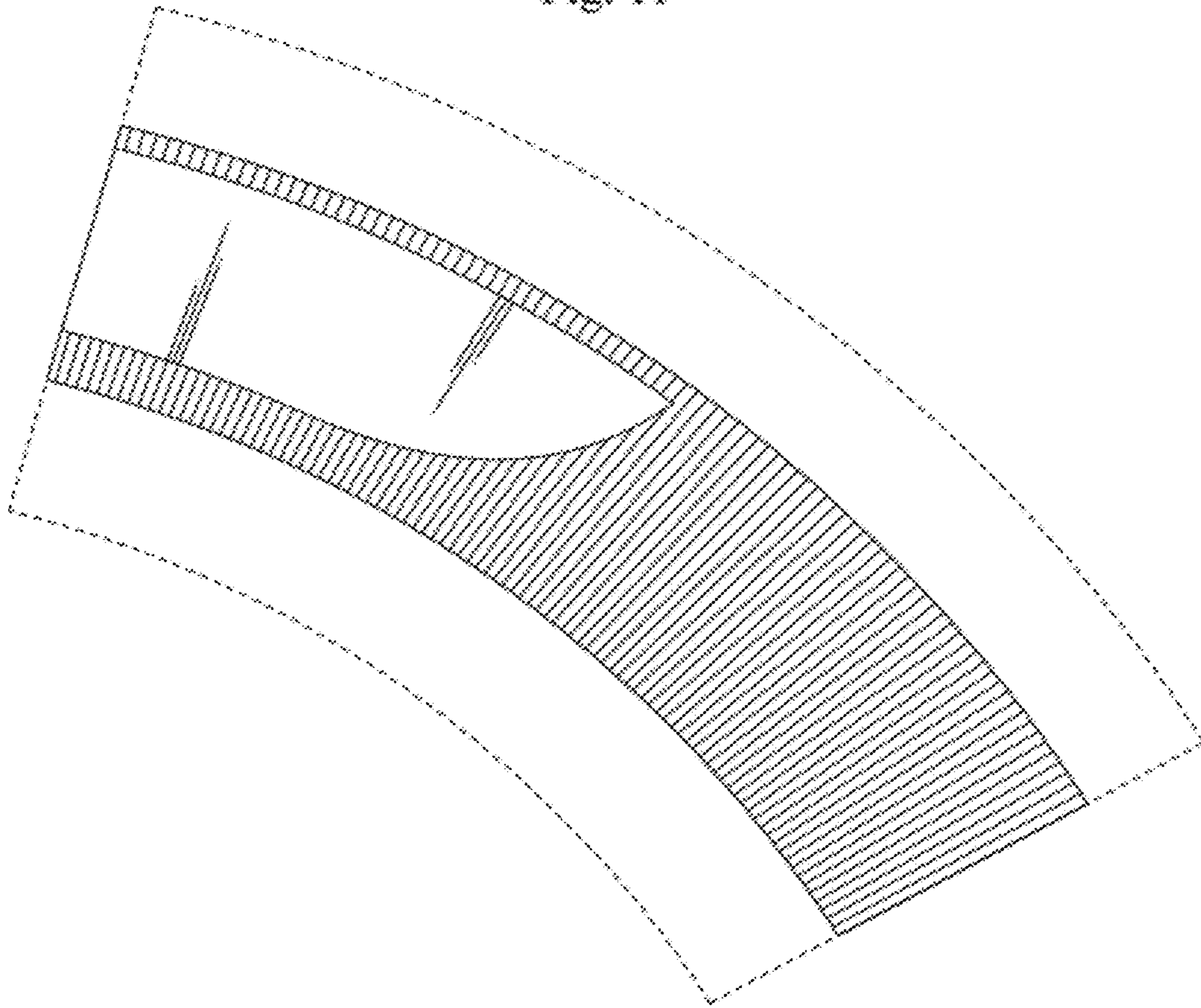


Fig. 12

