



US00D660782S

(12) **United States Design Patent**
Levorato et al.

(10) **Patent No.:** **US D660,782 S**
(45) **Date of Patent:** **** May 29, 2012**

- (54) **VEHICLE TOOL BOX**
- (75) Inventors: **Stefano Gabriel Levorato**, Santana de Parnaiba (BR); **Gabriel Clemente Silva**, Sao Caetano do Dul (BR); **Dagoberto Tribia**, Santo Andre (BR)
- (73) Assignee: **GM Global Technology Operations LLC**, Detroit, MI (US)

6,502,868	B1 *	1/2003	Laspa et al.	292/26
D488,428	S *	4/2004	Greene	D12/414.1
D535,936	S *	1/2007	Greene	D12/414.1
D540,737	S *	4/2007	Bogard	D12/414.1
7,416,228	B2 *	8/2008	Pfzinger et al.	292/216
D597,019	S *	7/2009	Zarza	D12/414.1
D638,778	S *	5/2011	Giddens	D12/414
2001/0032848	A1 *	10/2001	Jones et al.	220/200
2004/0020952	A1 *	2/2004	Schomaker	224/404
2004/0080298	A1 *	4/2004	Maggert et al.	320/107
2005/0104415	A1 *	5/2005	Hungerford et al.	296/190.02

* cited by examiner

(**) Term: **14 Years**

(21) Appl. No.: **29/394,115**

(22) Filed: **Jun. 13, 2011**

(51) **LOC (9) Cl.** **12-16**

(52) **U.S. Cl.** **D12/423**

(58) **Field of Classification Search** D12/423,
D12/414, 414.1, 413, 406, 412, 409, 410,
D12/425; D6/513-514, 552, 559, 567, 317-319;
D32/35, 58; 206/335

See application file for complete search history.

(56) **References Cited**

U.S. PATENT DOCUMENTS

D403,176	S *	12/1998	Harper	D6/440
D403,654	S *	1/1999	Houry	D12/414.1

Primary Examiner — Caron D Veynar

Assistant Examiner — Katrina A Betton

(74) *Attorney, Agent, or Firm* — Parks IP Law LLC; Mickki D. Murray

(57) **CLAIM**

The ornamental design for a vehicle tool box, as shown and described.

DESCRIPTION

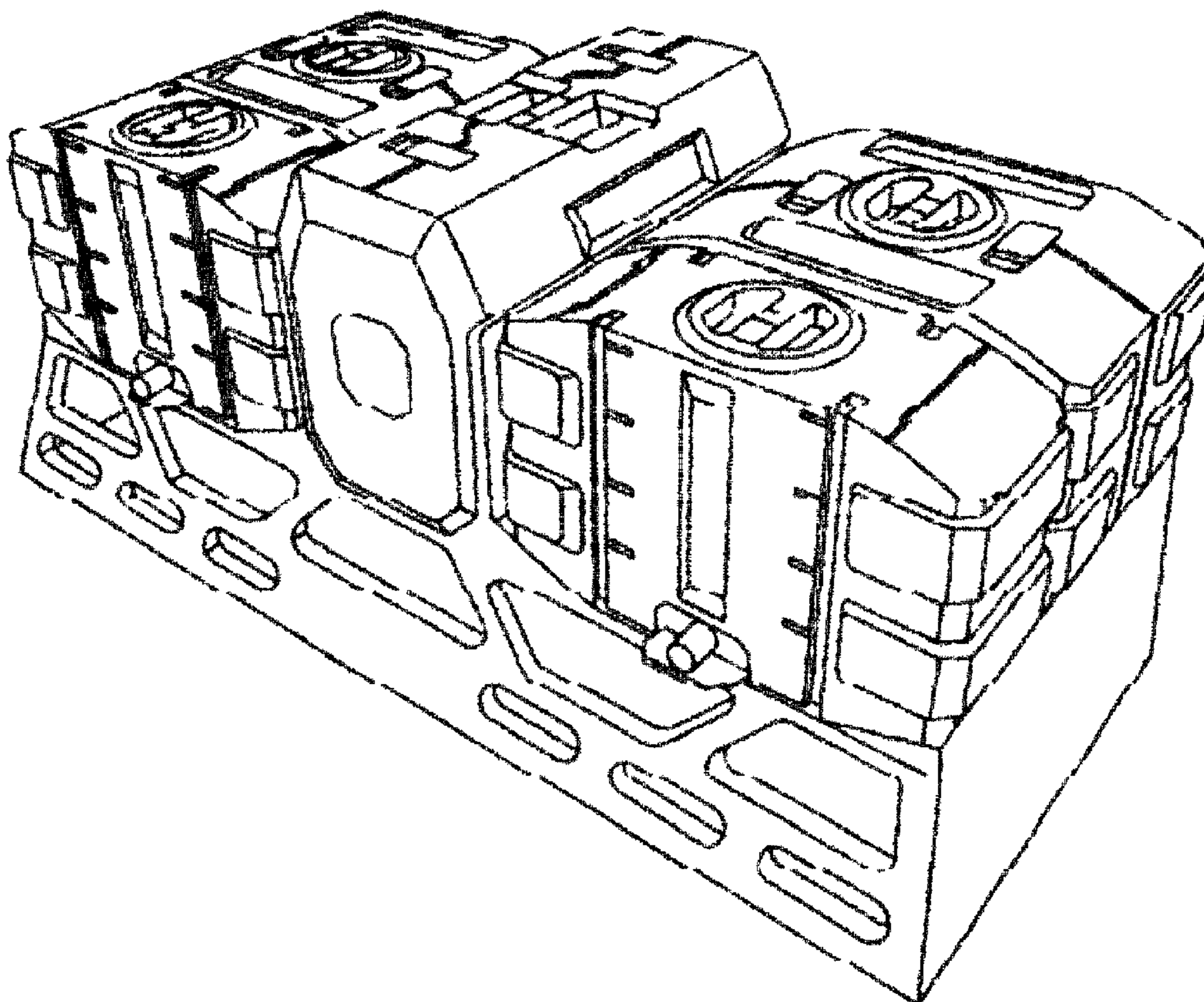
FIG. 1 is a right, front perspective view of a vehicle tool box showing my new design;

FIG. 2 is a front view, thereof;

FIG. 3 is a top plan view thereof; and,

FIG. 4 is a side view, thereof.

1 Claim, 2 Drawing Sheets



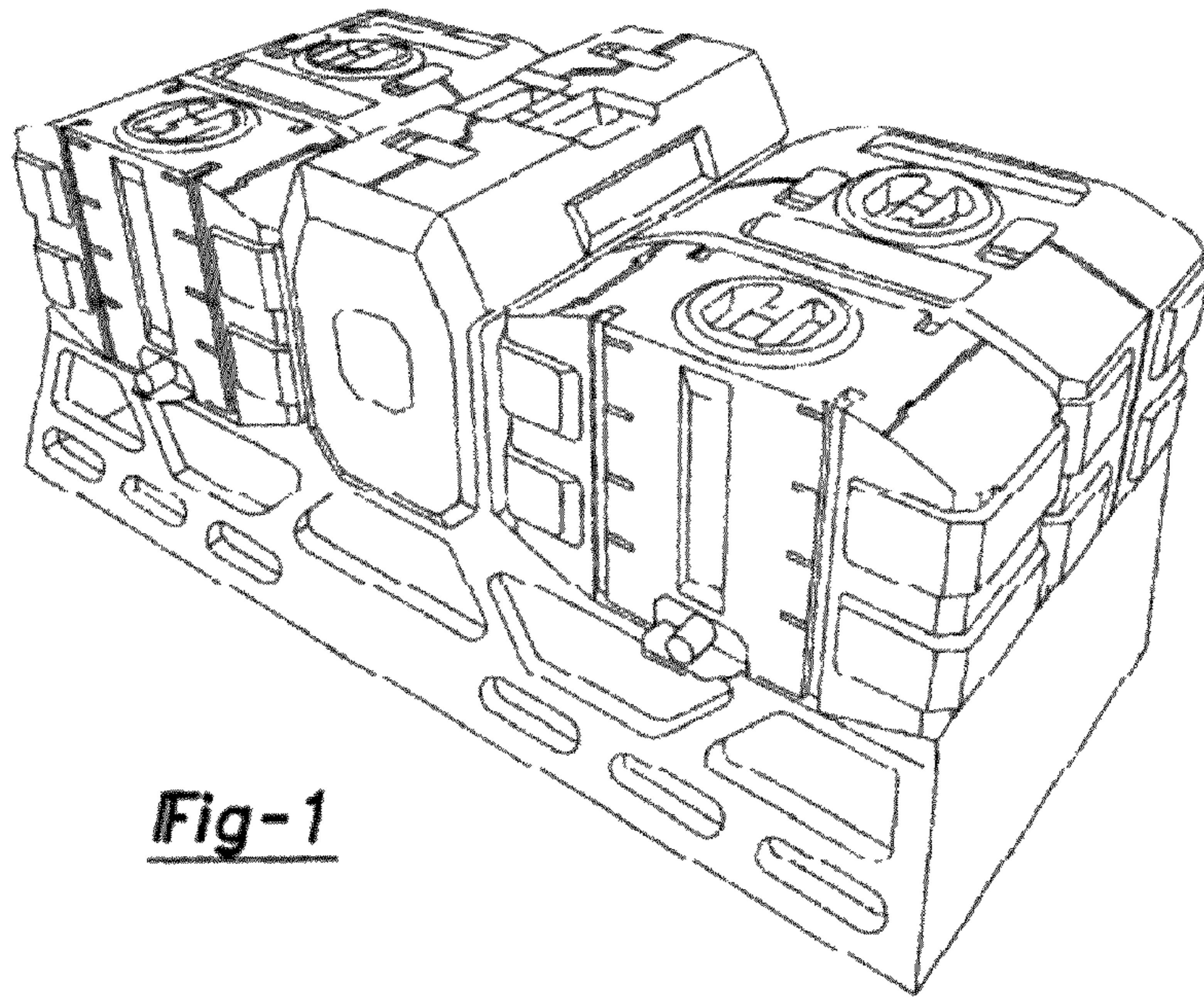


Fig-1

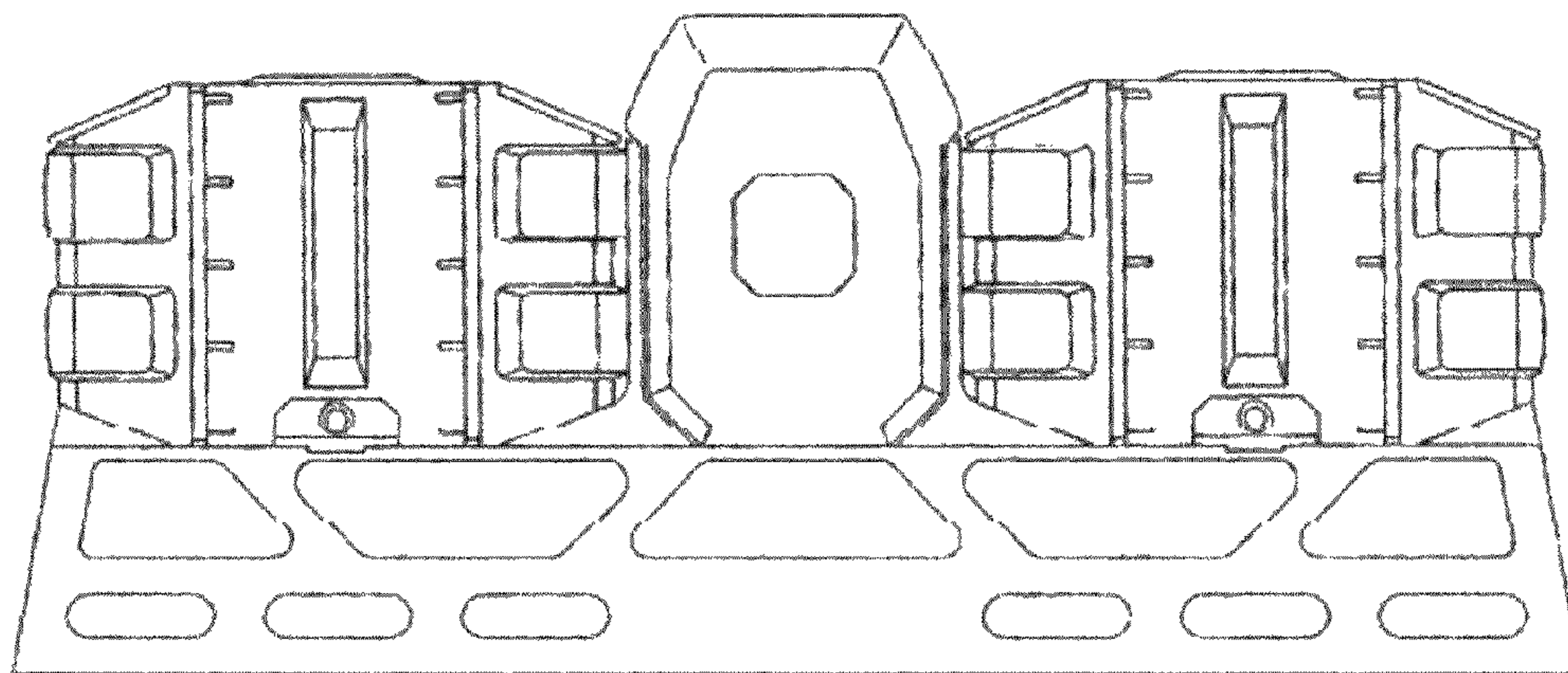


Fig-2

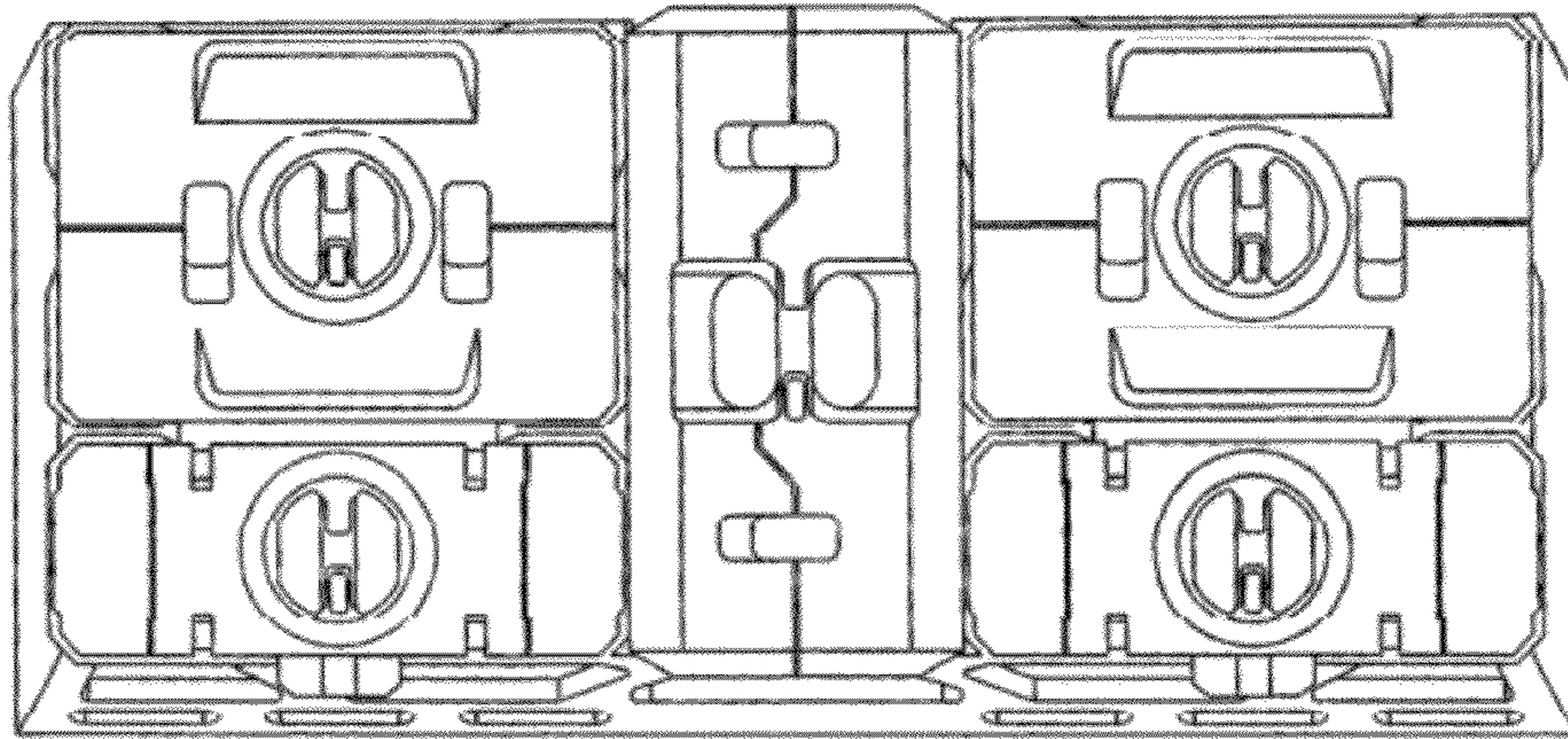


Fig-3

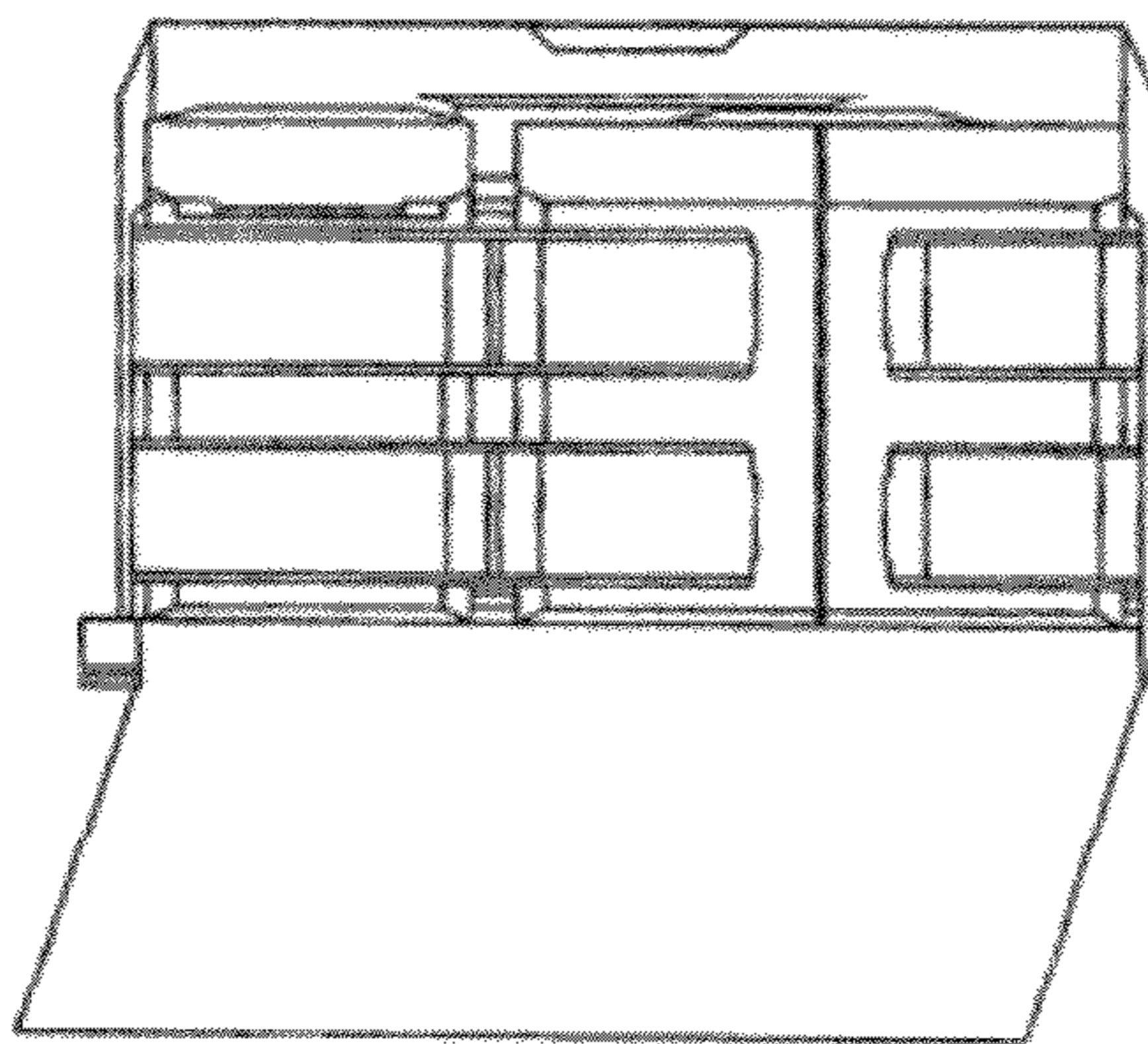


Fig-4