

US00D660781S

(12) **United States Design Patent**
Ruffino et al.

(10) **Patent No.:** **US D660,781 S**

(45) **Date of Patent:** **** May 29, 2012**

(54) **TRUCK PAYLOAD STORAGE ENCLOSURE**

(75) Inventors: **Robin H. Ruffino**, Chalmette, LA (US);
Herbert Riehl, Erie, CO (US);
Jonathan Hart, Salt Lake City, UT
(US); **George Peter Marse, III**, Kenner,
LA (US)

(73) Assignee: **Failed Levees Applications, LLC**,
Chalmette, LA (US)

(**) Term: **14 Years**

(21) Appl. No.: **29/398,844**

(22) Filed: **Aug. 5, 2011**

(51) **LOC (9) Cl.** **12-99**

(52) **U.S. Cl.** **D12/414.1**

(58) **Field of Classification Search** D12/423,
D12/414, 414.1, 413, 406, 412, 409, 410,
D12/425; D6/513-514, 552, 559, 567, 317-319;
D32/35, 58; 206/335

See application file for complete search history.

(56) **References Cited**

U.S. PATENT DOCUMENTS

D235,082	S	*	5/1975	Weaver	D12/421
4,718,583	A		1/1988	Mullican		
D361,220	S	*	8/1995	Cacciola	D6/440
D370,200	S	*	5/1996	Garoutte	D12/423
D392,119	S	*	3/1998	Montoya	D6/397
D399,678	S	*	10/1998	Aquino et al.	D6/632
D403,176	S	*	12/1998	Harper	D6/440
5,868,295	A		2/1999	Carriere		
6,105,842	A		8/2000	Cesare		

6,543,659	B2		4/2003	Blair		
D530,916	S	*	10/2006	Sakaguchi	D3/294
D531,800	S	*	11/2006	Sakaguchi	D3/294
D613,522	S	*	4/2010	Kanthasamy	D6/440
2002/0162869	A1		11/2002	Blair		
2007/0018444	A1		1/2007	Gibson		

* cited by examiner

Primary Examiner — Caron D Veynar

Assistant Examiner — Katrina A Betton

(74) *Attorney, Agent, or Firm* — nolaIP, LLC; Neil Coig

(57) **CLAIM**

The ornamental design for a truck payload storage enclosure, as shown and described.

DESCRIPTION

FIG. 1 is a perspective view of the truck payload storage enclosure.

FIG. 2 is a left side view of the truck payload storage enclosure.

FIG. 3 is a right side view of the truck payload storage enclosure.

FIG. 4 is a rear view of the truck payload storage enclosure.

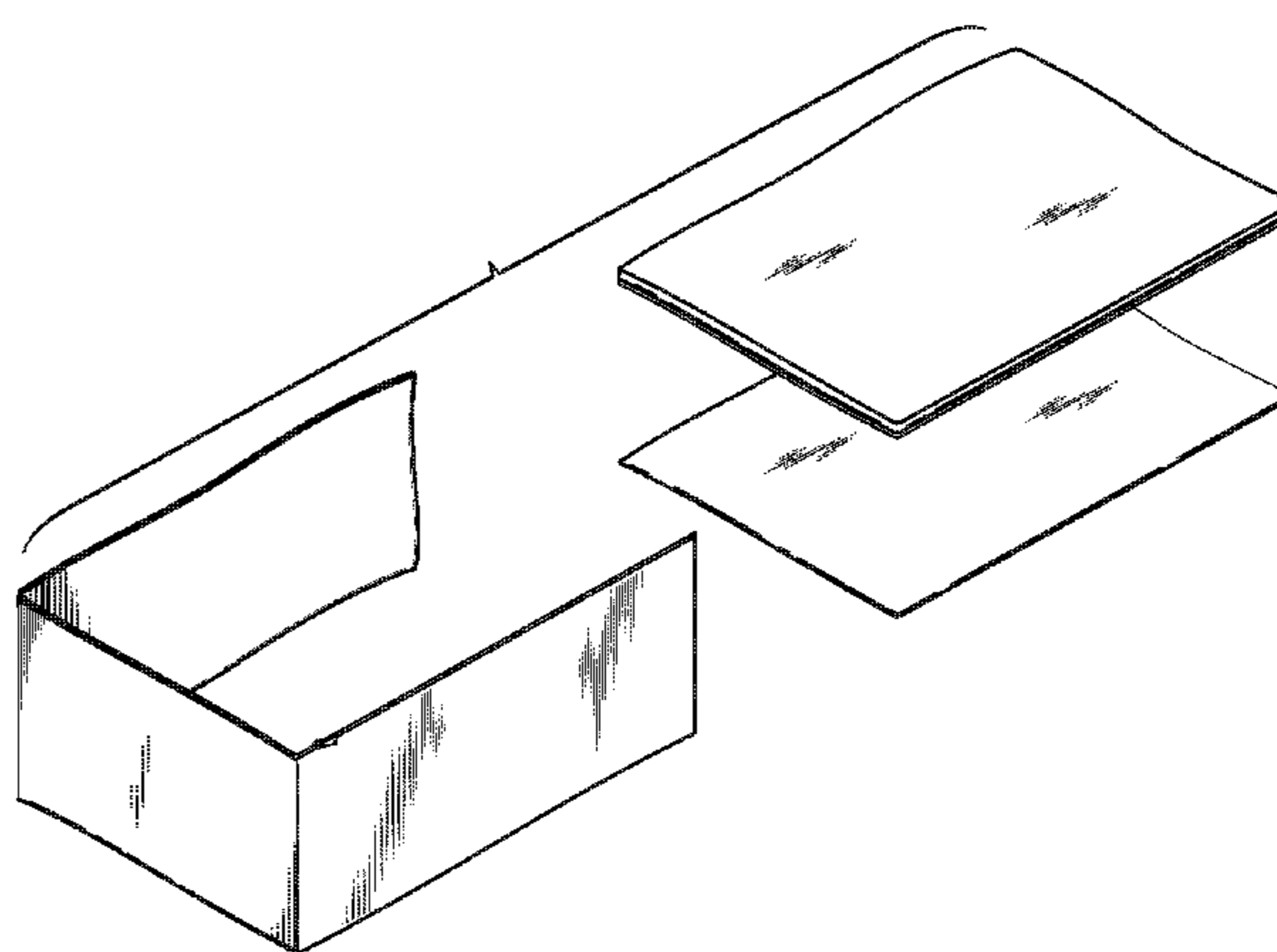
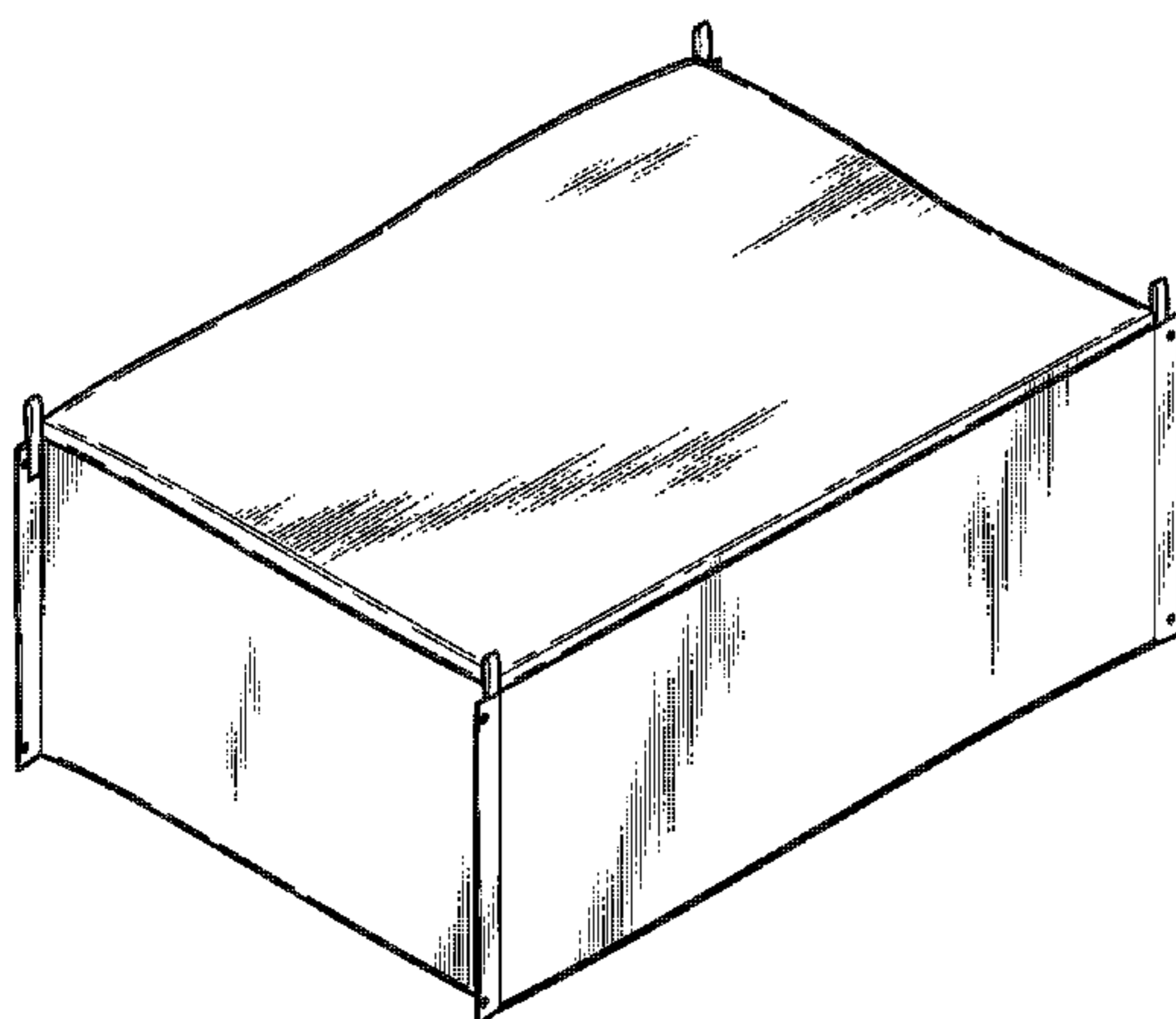
FIG. 5 is a front view of the truck payload storage enclosure.

FIG. 6 is a bottom view of the truck payload storage enclosure.

FIG. 7 is a top view of the truck payload storage enclosure; and,

FIG. 8 is an exploded view of the truck payload storage enclosure.

1 Claim, 6 Drawing Sheets



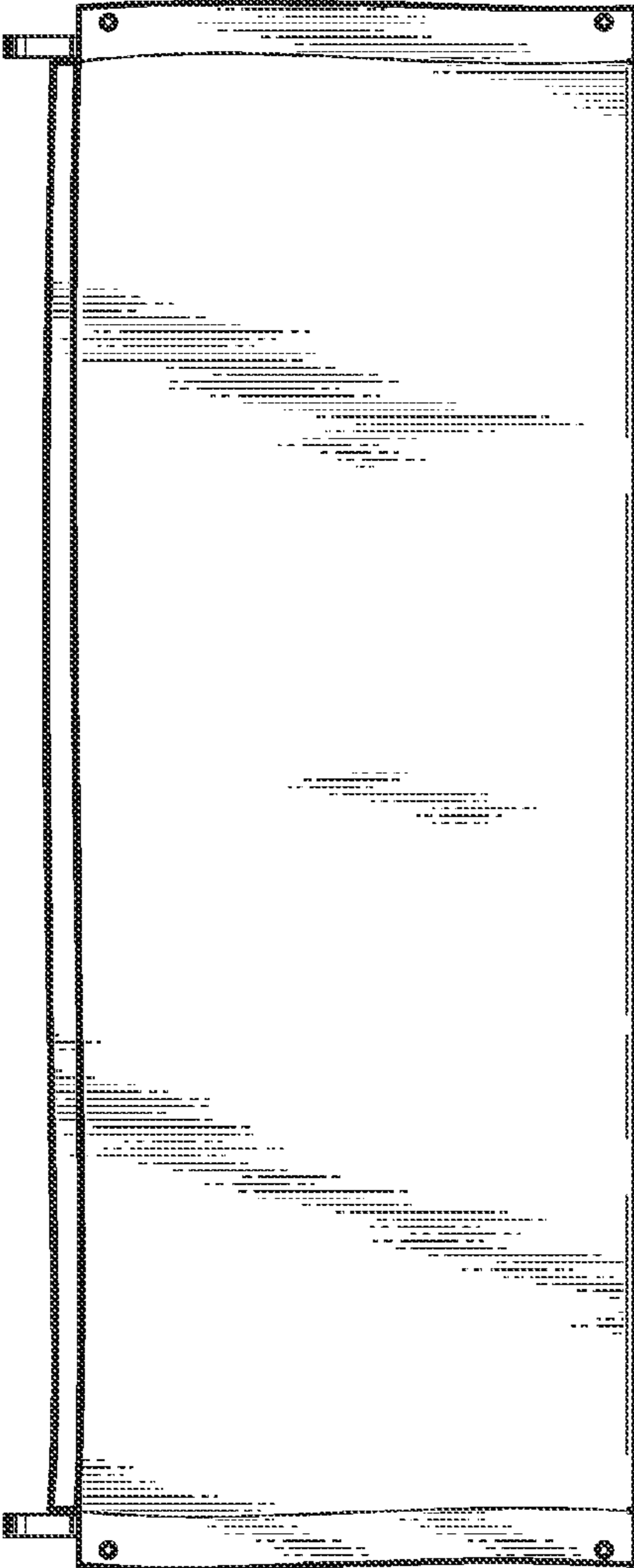


FIG. 2

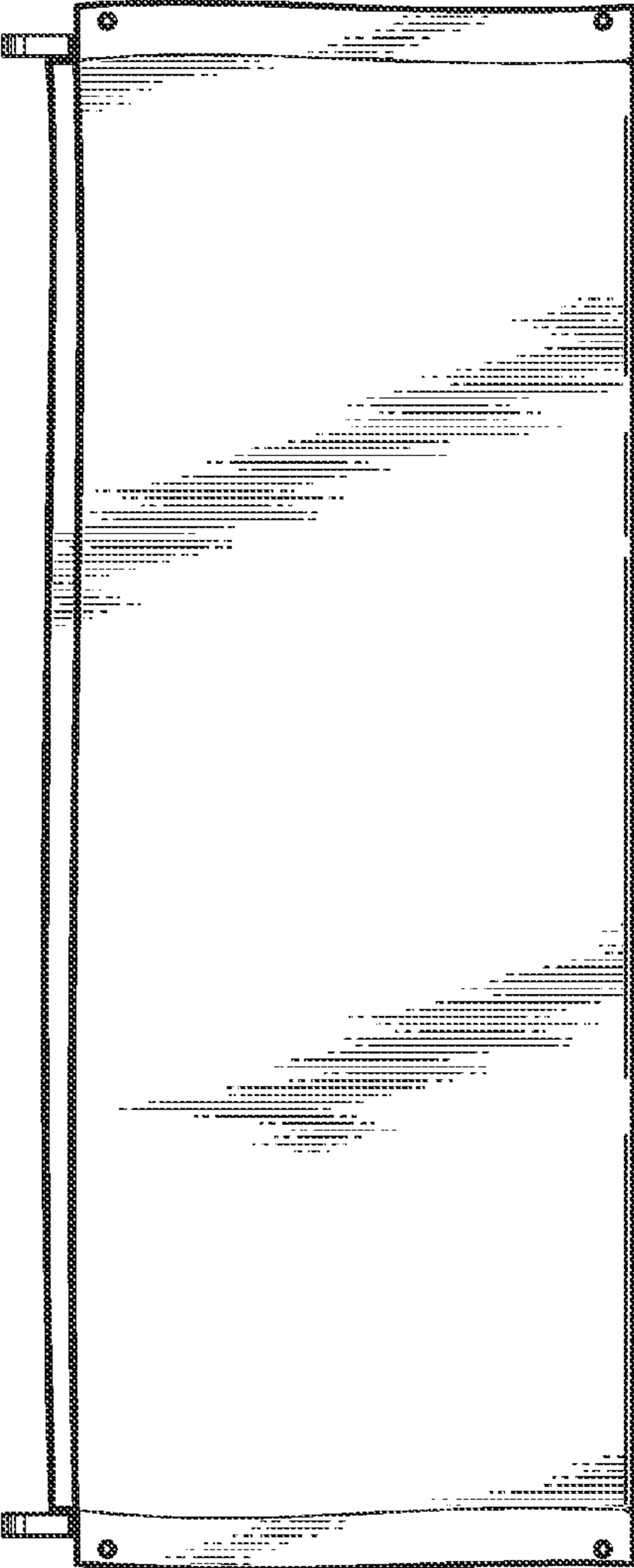


FIG. 3

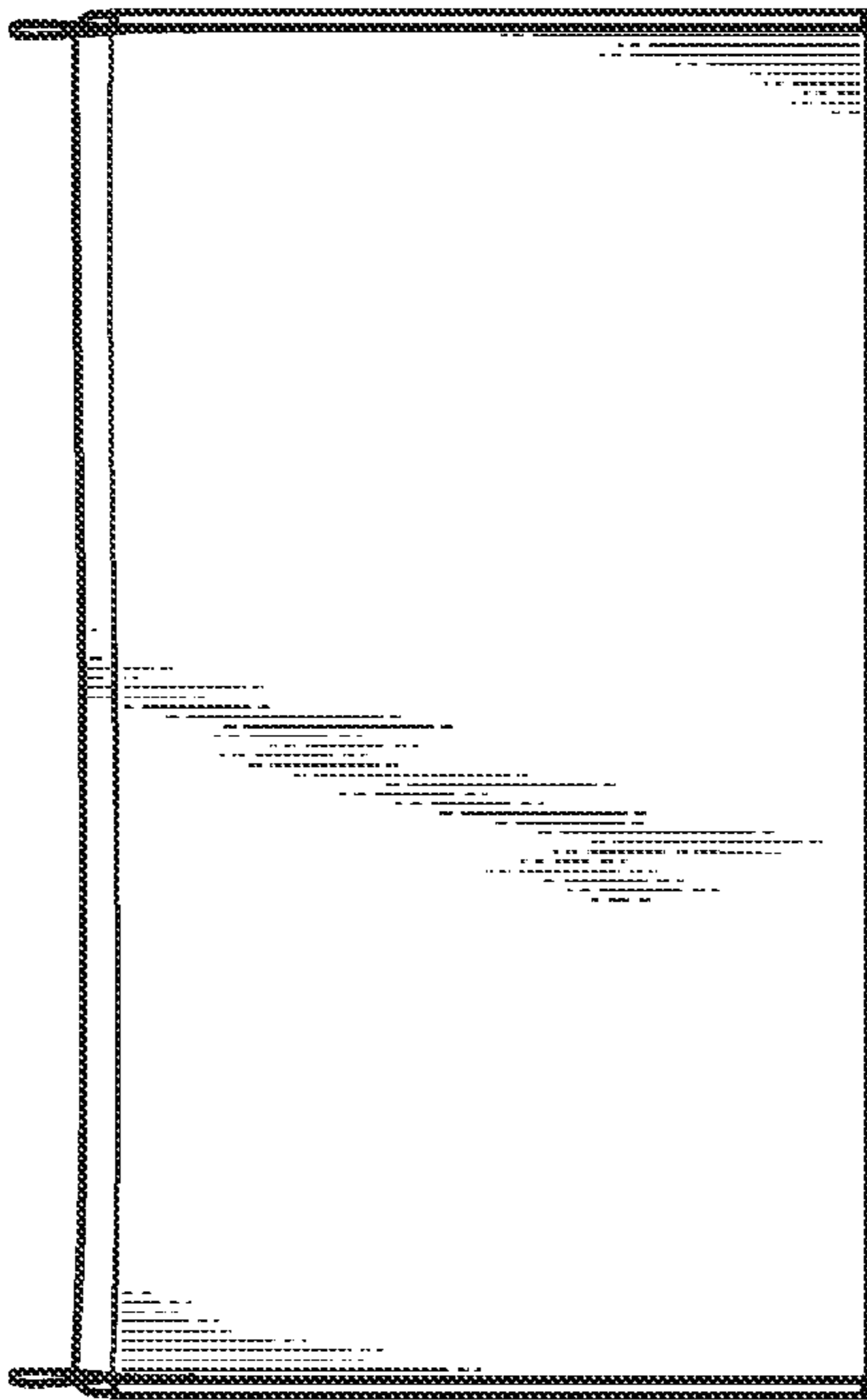


FIG. 4

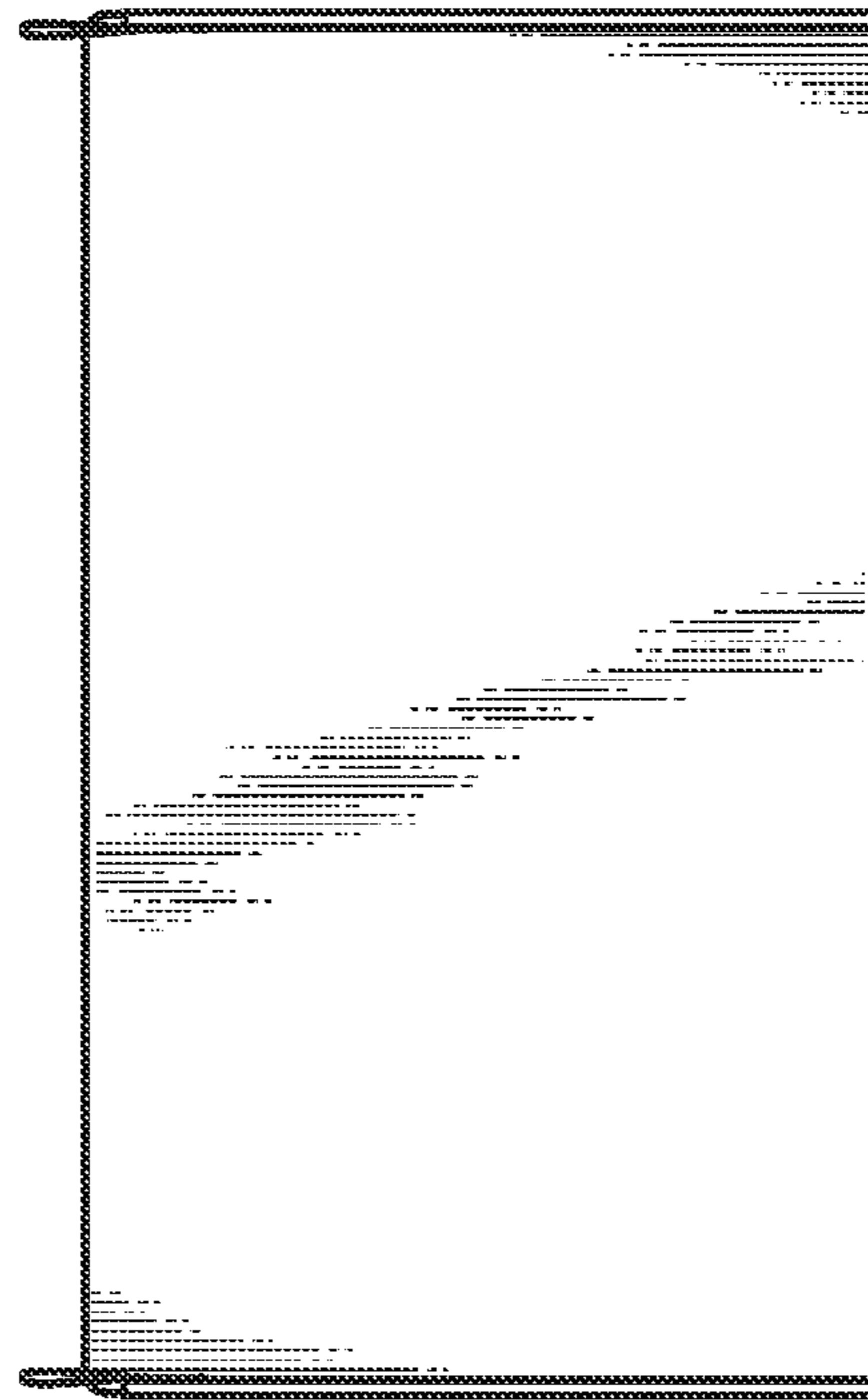


FIG. 5

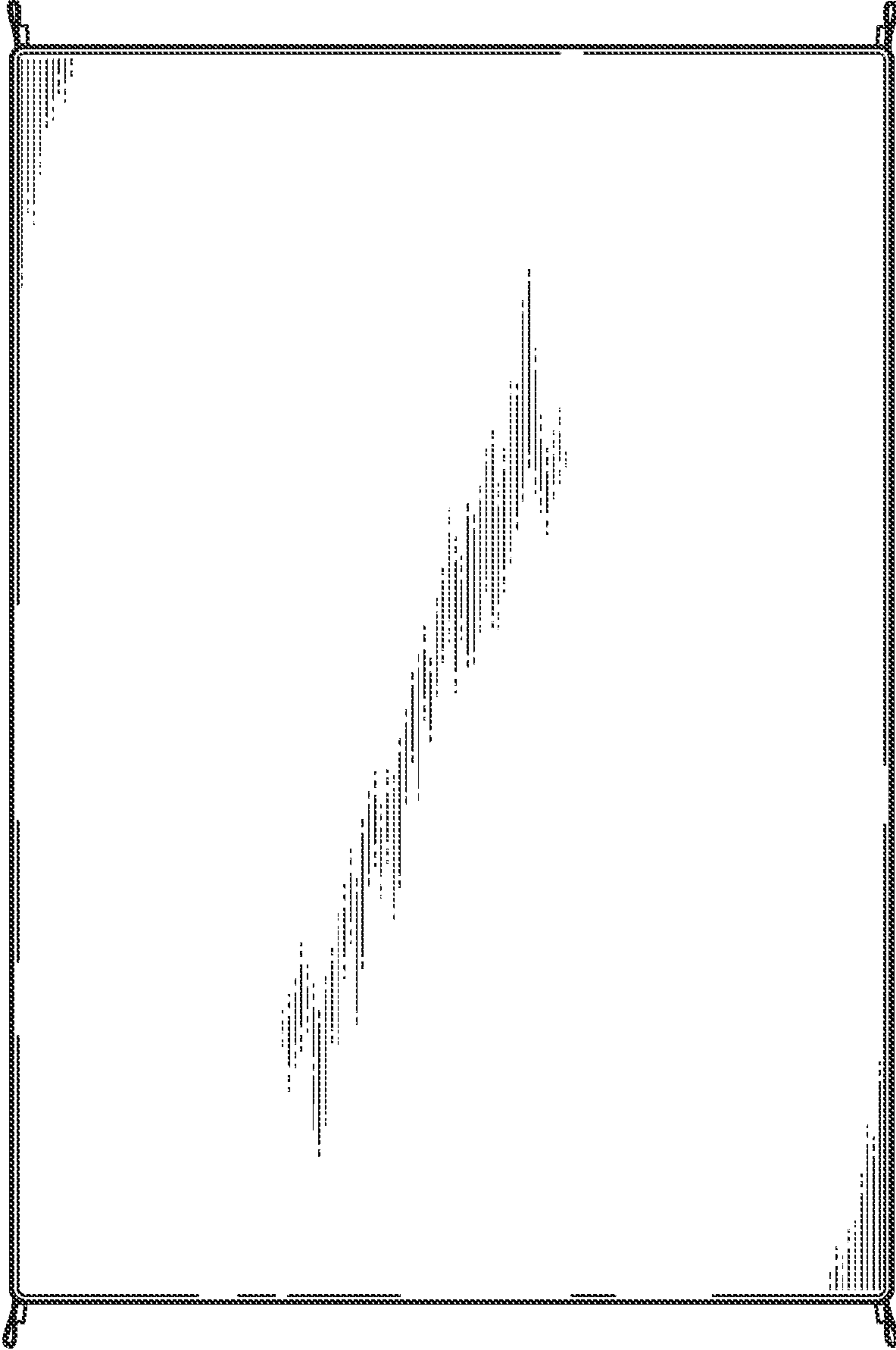


FIG. 6

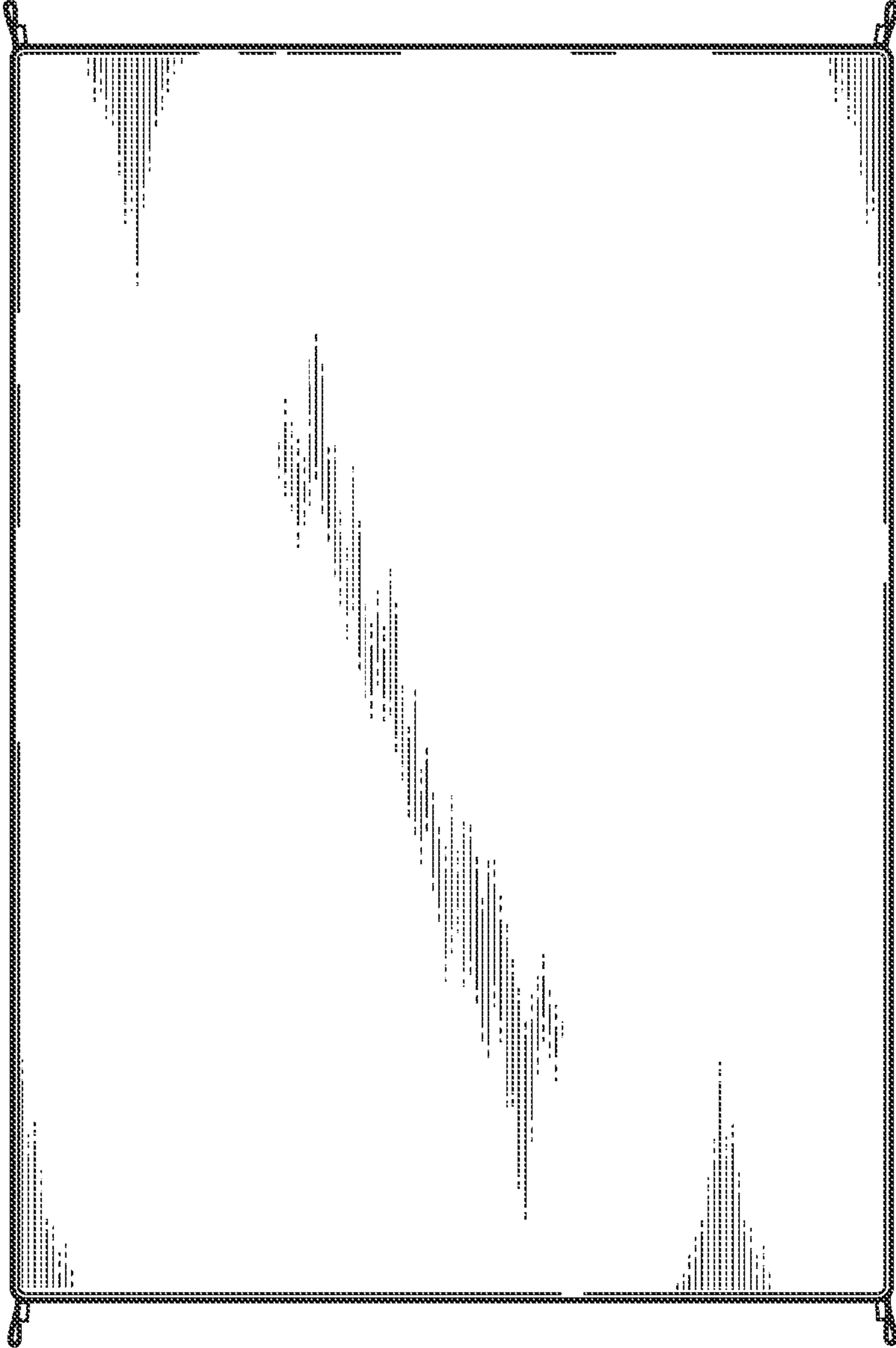


FIG. 7

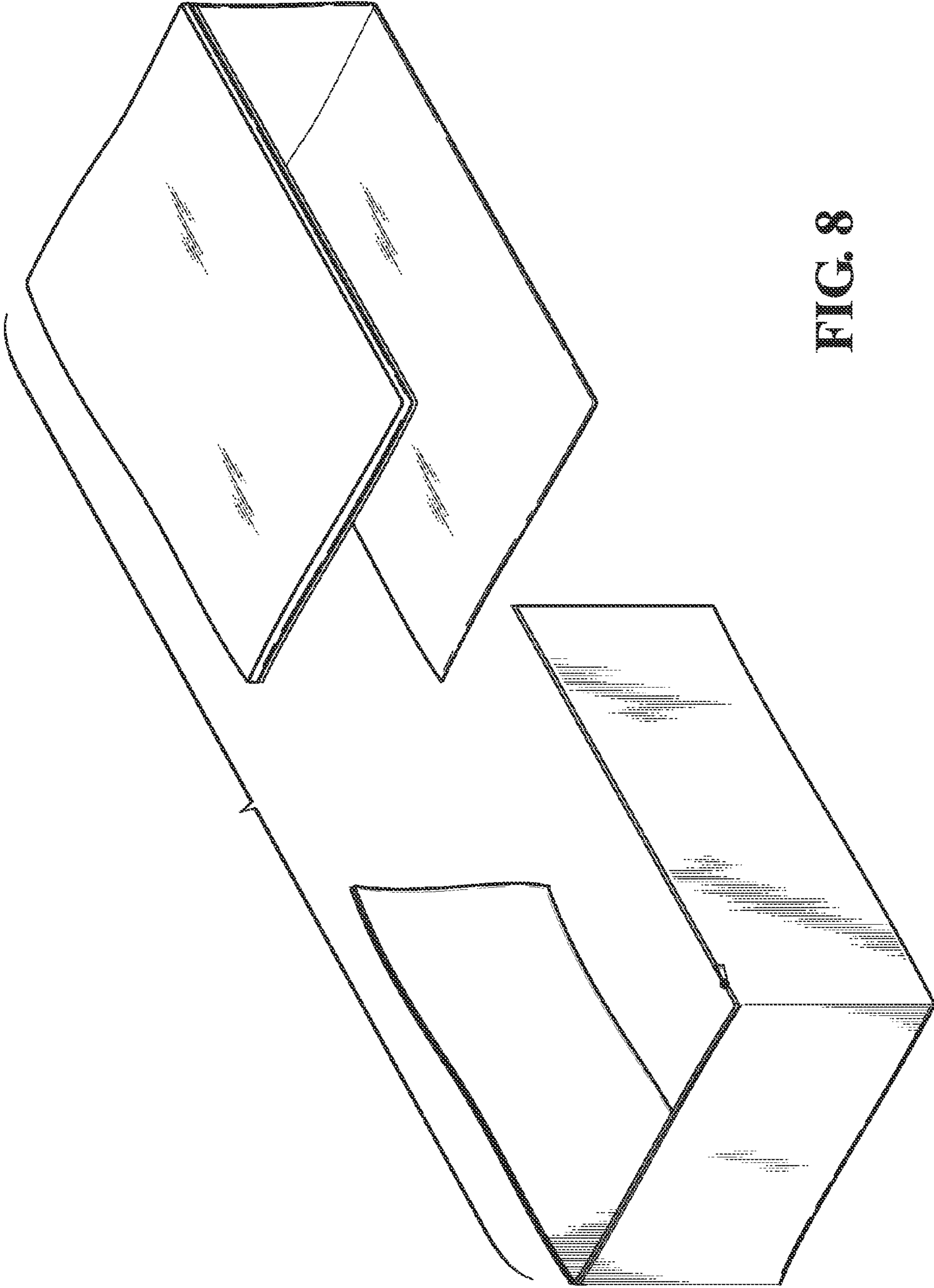


FIG. 8