

US00D660779S

(12) **United States Design Patent**
Czipri et al.

(10) **Patent No.:** **US D660,779 S**

(45) **Date of Patent:** **** May 29, 2012**

(54) **RETRACTABLE BOAT SKI TOW AND EYE MAST**

(75) Inventors: **John Czipri**, Boone, NC (US); **Bernd Czipri**, Palm Harbor, FL (US)

(73) Assignee: **R & D Shed, L.L.C.**, Clearwater, FL (US)

(**) Term: **14 Years**

(21) Appl. No.: **29/399,205**

(22) Filed: **Aug. 10, 2011**

(51) **LOC (9) Cl.** **12-06**

(52) **U.S. Cl.** **D12/317**

(58) **Field of Classification Search** D12/317,
D12/318; D8/354, 356; 114/242, 253, 355,
114/363

See application file for complete search history.

(56) **References Cited**

U.S. PATENT DOCUMENTS

3,890,918	A *	6/1975	Sell	114/253
4,561,375	A	12/1985	Paxton	
4,589,366	A *	5/1986	Eiber	114/363
4,893,577	A	1/1990	Jennings	
4,960,065	A	10/1990	Junkeris	
5,301,627	A	4/1994	Czipri	
D355,402	S *	2/1995	Ritzenthaler	D12/317
D355,634	S *	2/1995	Ritzenthaler	D12/317
D373,104	S *	8/1996	Miller et al.	D12/317
5,598,803	A	2/1997	Czipri	

5,795,017	A	8/1998	Zimmerman et al.	
5,934,217	A *	8/1999	Allsop	114/242
5,943,977	A *	8/1999	Womack et al.	114/242
D415,729	S	10/1999	Wells	
D432,978	S *	10/2000	Peterson	D12/317
D464,603	S *	10/2002	Whitley, II	D12/317
6,539,886	B2	4/2003	Henry et al.	
D551,540	S *	9/2007	Czipri et al.	D8/356
D552,026	S	10/2007	Ting	

* cited by examiner

Primary Examiner — Cynthia M Chin

(74) *Attorney, Agent, or Firm* — Larson & Larson, P.A.; Frank Liebenow; Justin P. Miller

(57) **CLAIM**

We claim the ornamental design for a retractable boat ski tow and eye mast, as shown and described.

DESCRIPTION

FIG. 1 is a right side elevation view of the retractable boat ski tow and eye mast showing my new design in an extended position;

FIG. 2 is a left side elevation view thereof;

FIG. 3 is a front elevation view thereof;

FIG. 4 is a rear elevation view thereof;

FIG. 5 is a top plan view thereof;

FIG. 6 is a bottom plan view thereof;

FIG. 7 is a perspective view thereof; and,

FIG. 8 is a perspective view thereof, showing my new design in a retracted position.

1 Claim, 5 Drawing Sheets

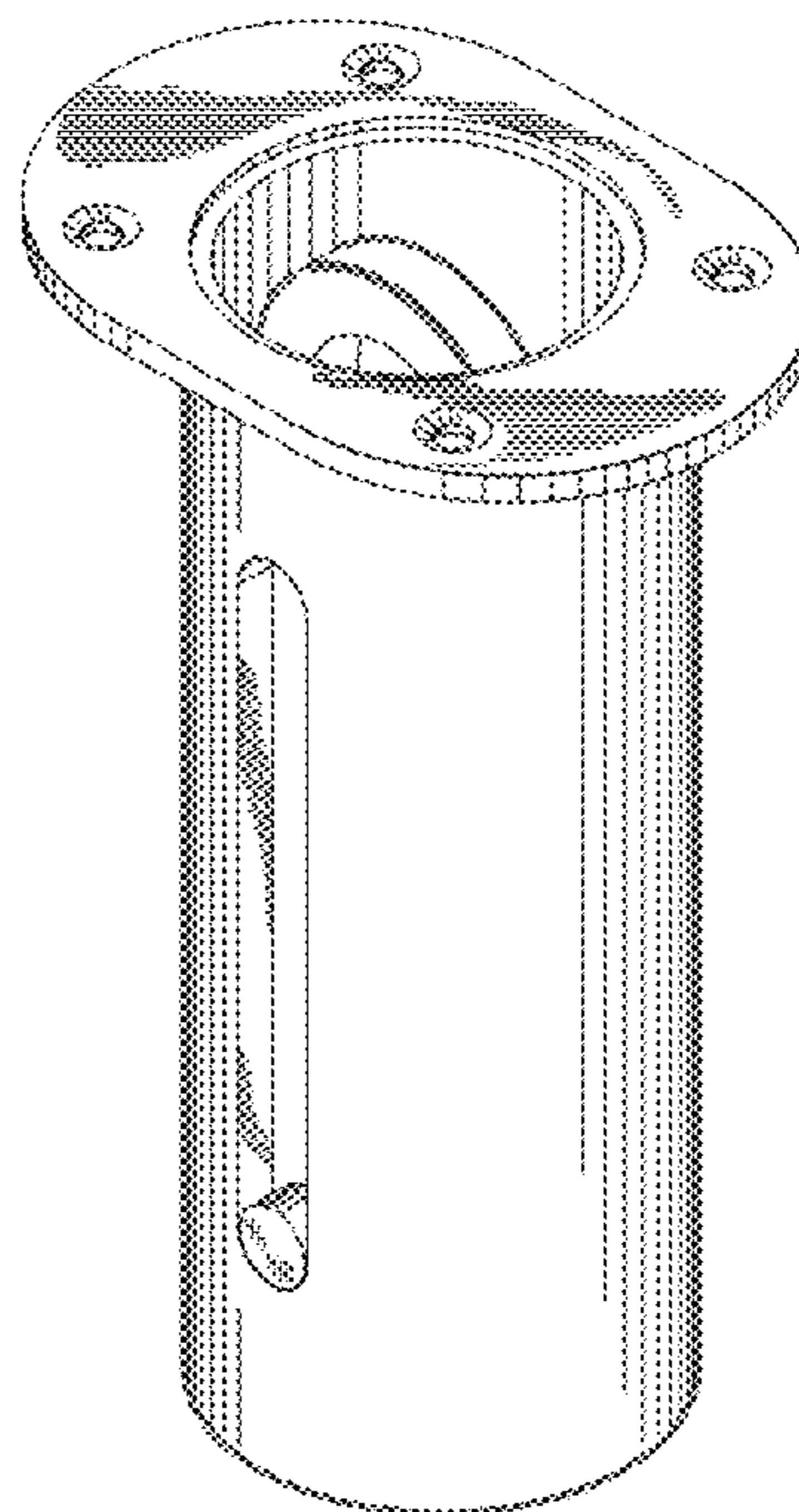
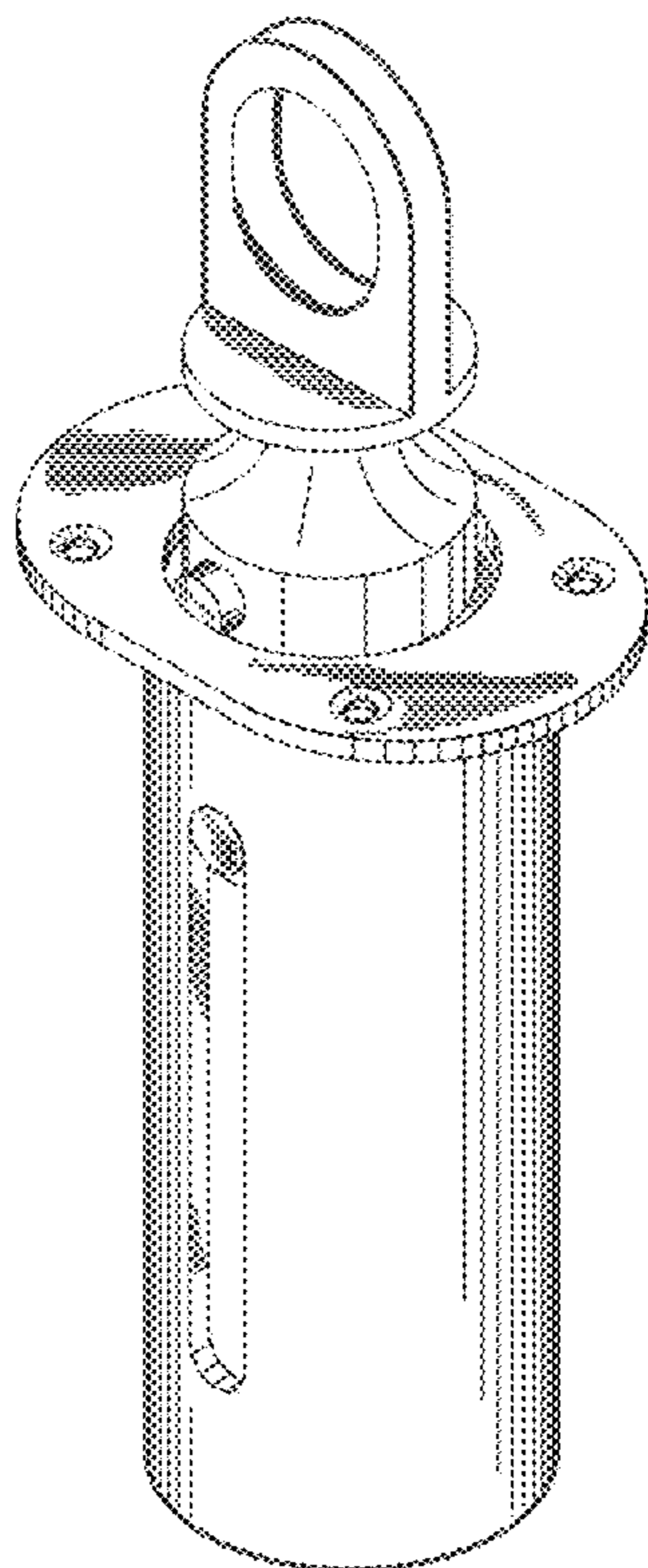


FIG. 1

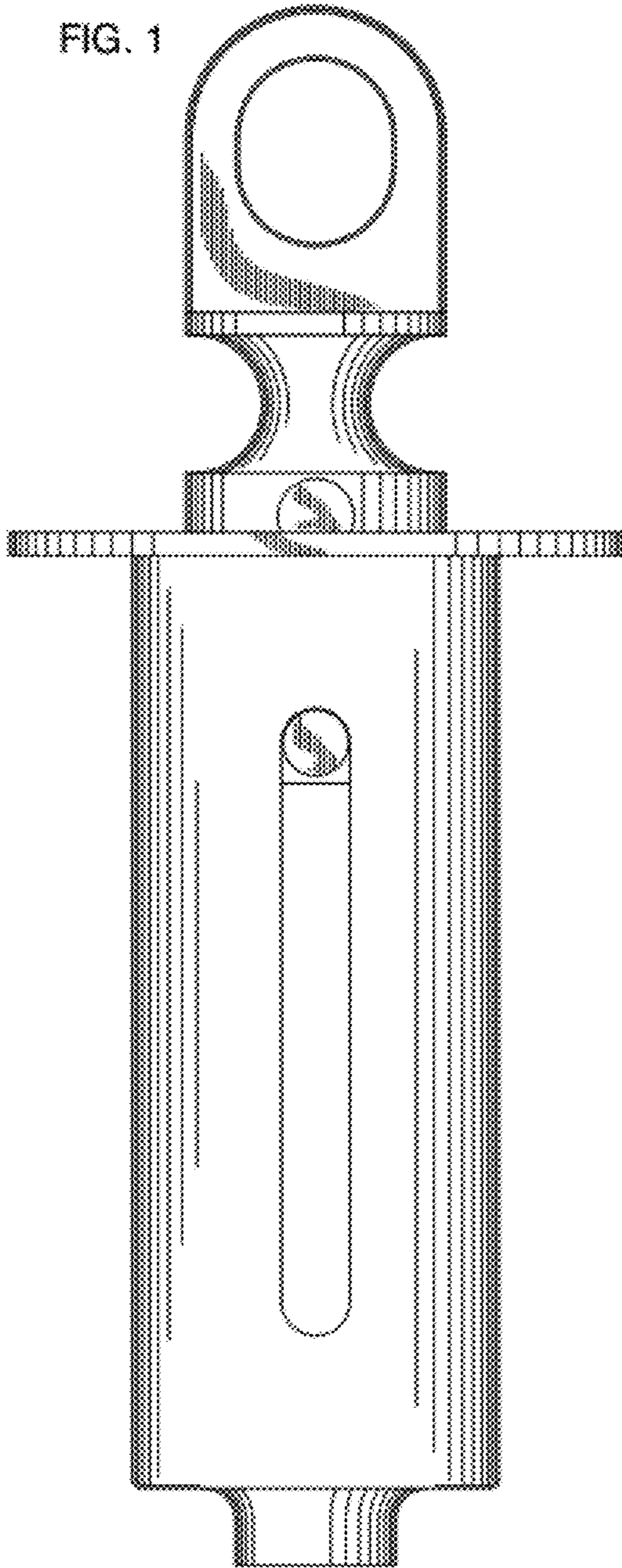


FIG. 2

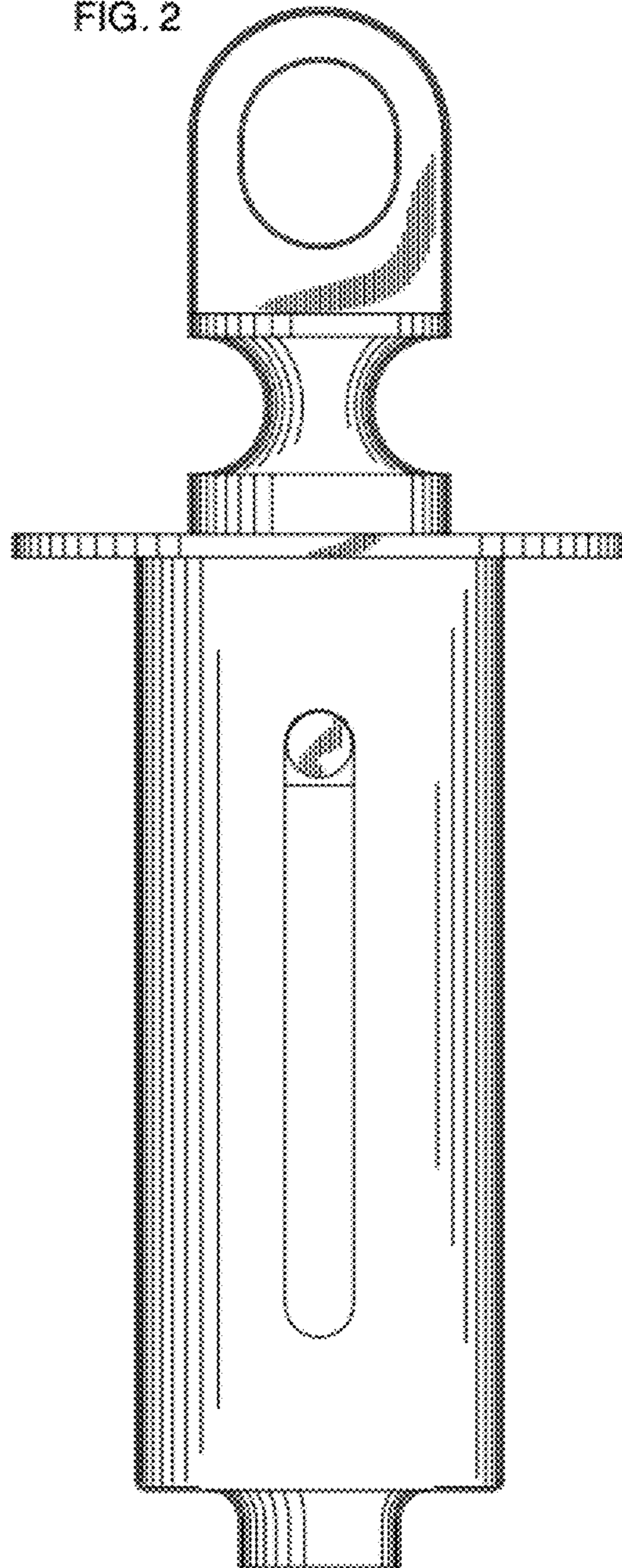


FIG. 3

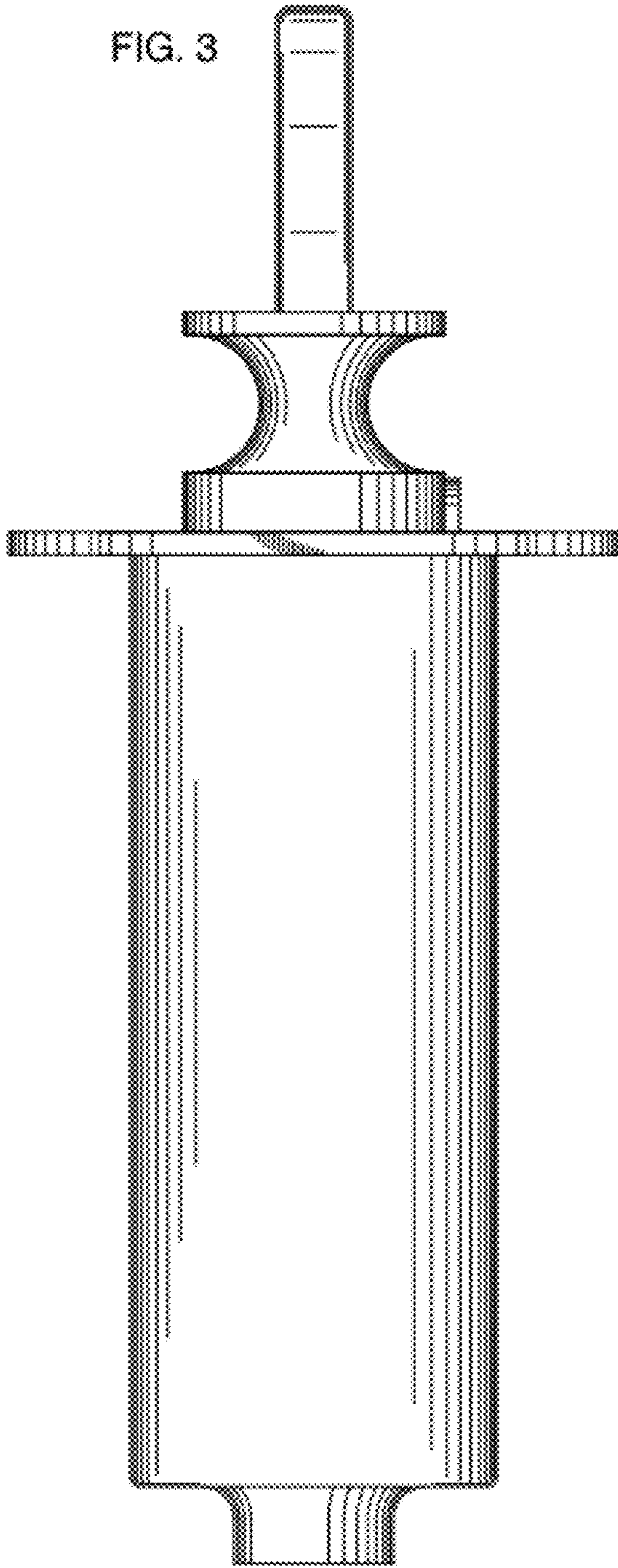


FIG. 4

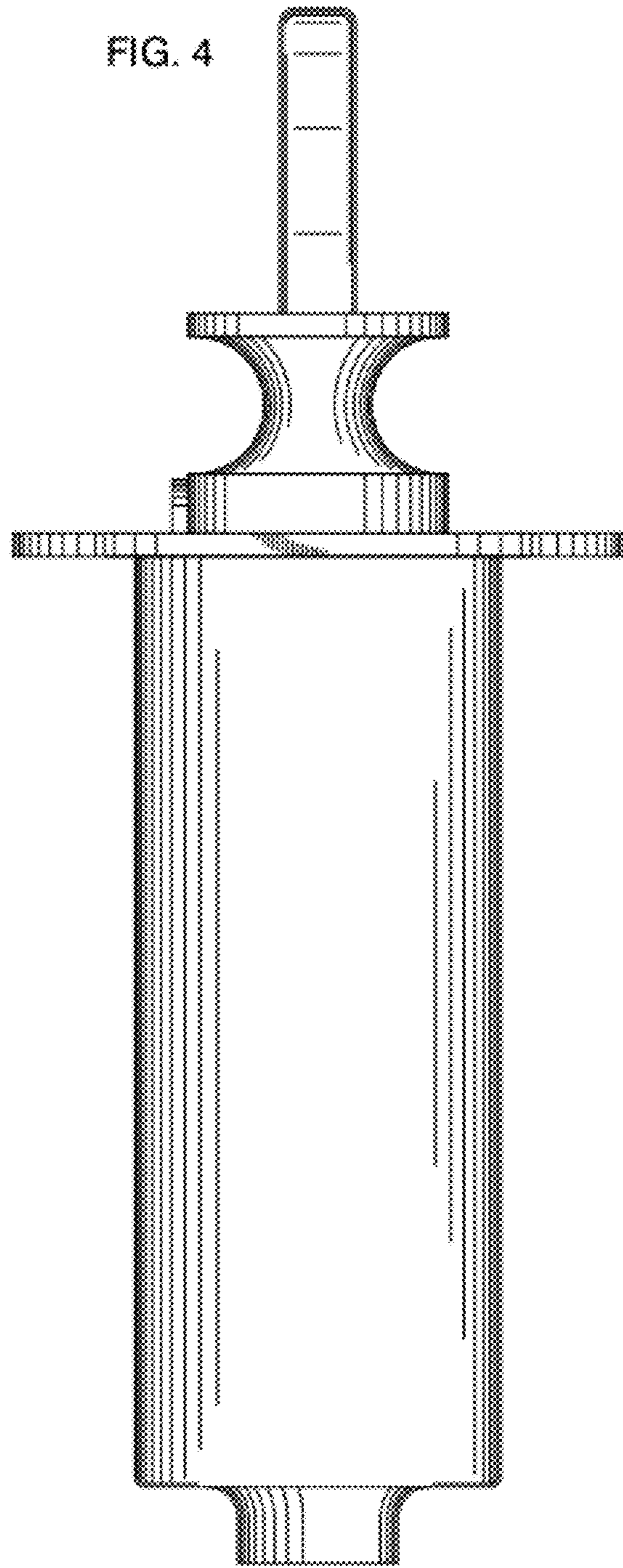


FIG. 5

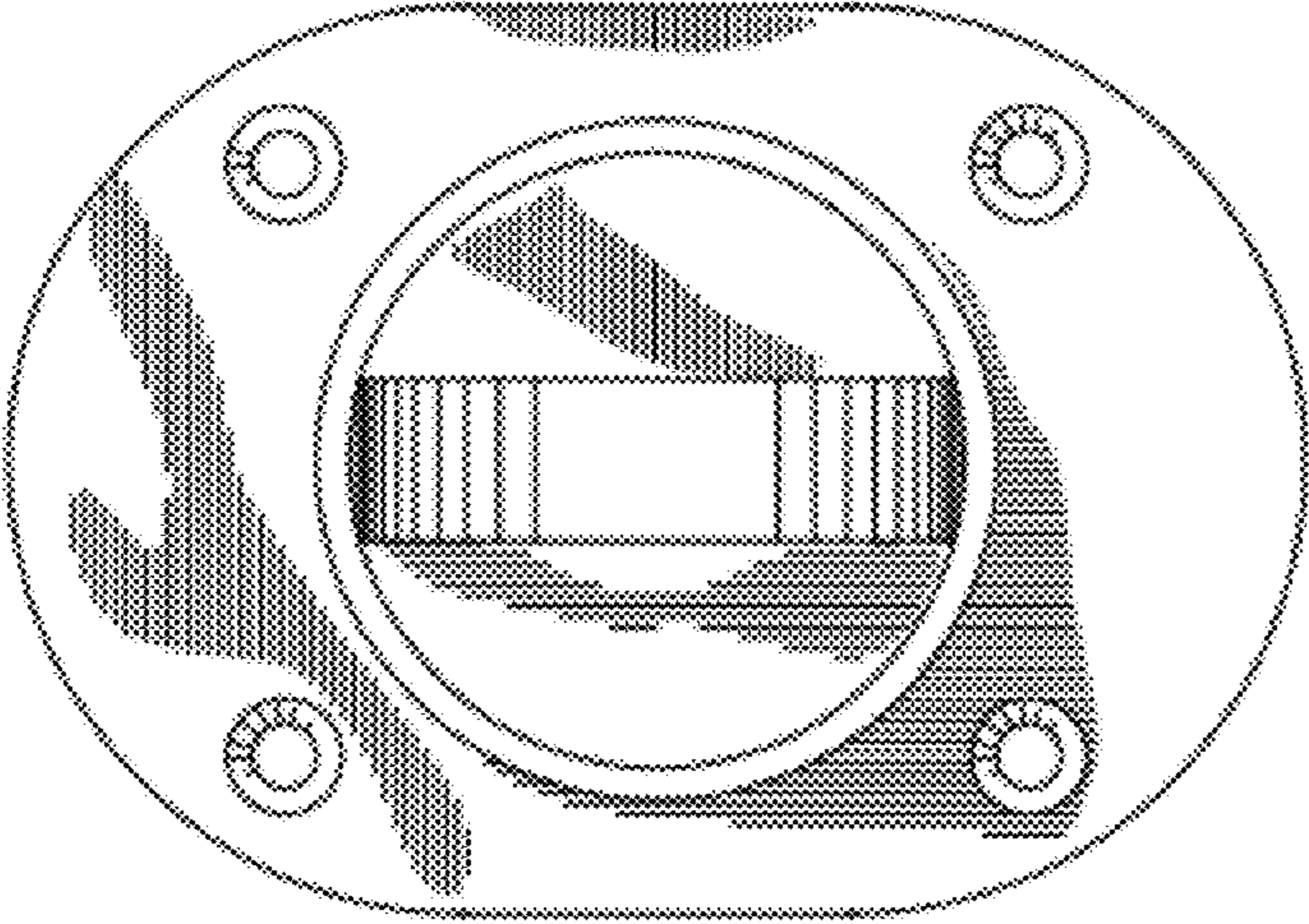


FIG. 6

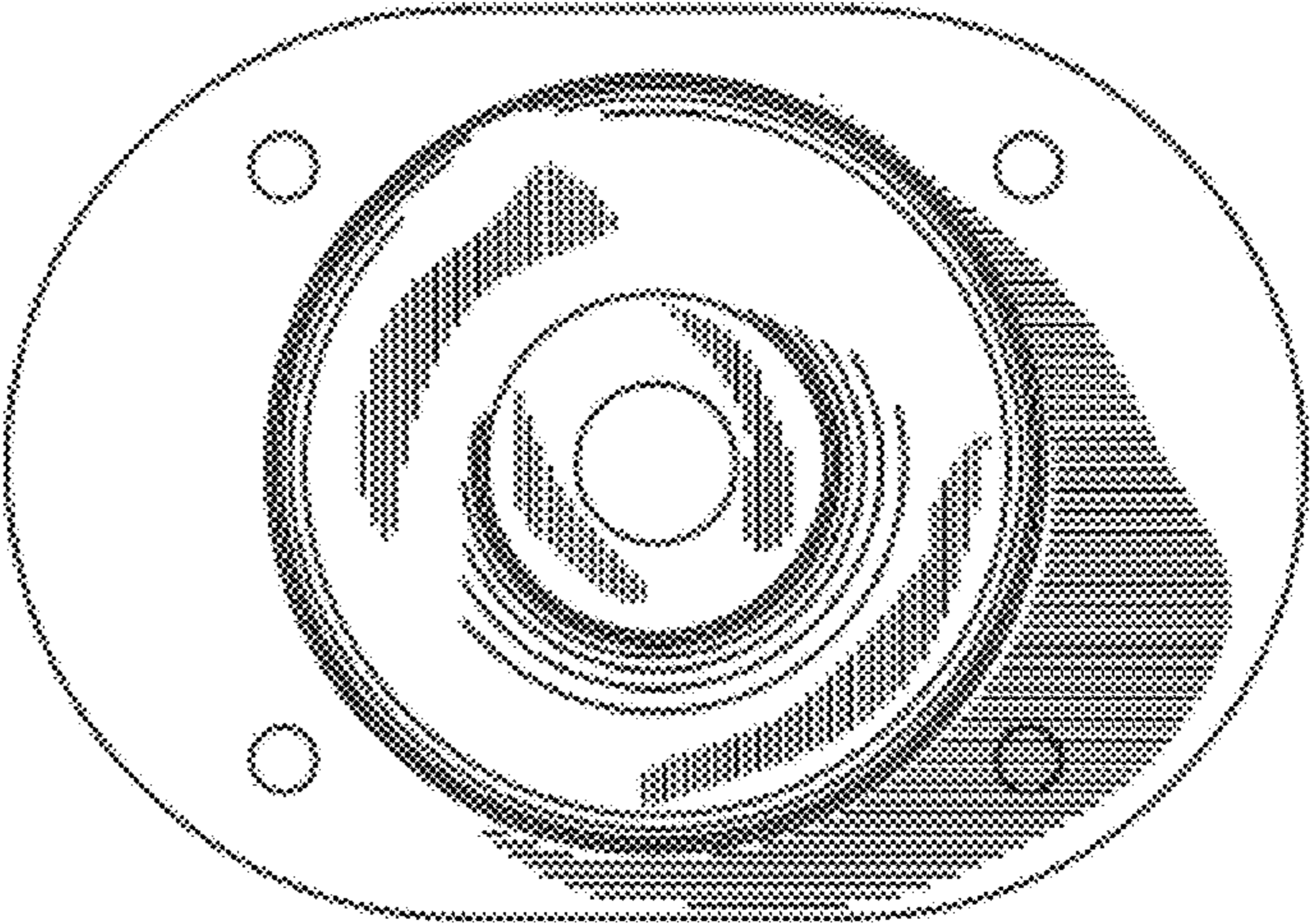


FIG. 7

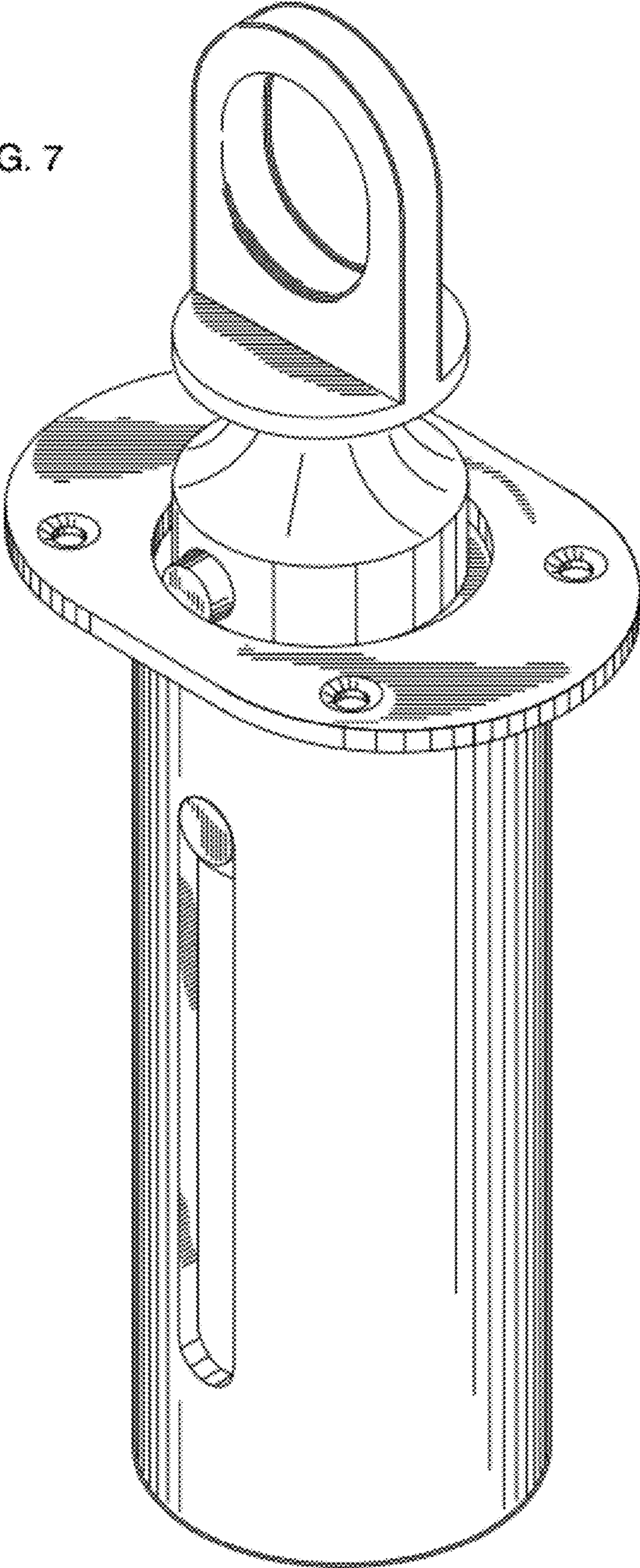


FIG. 8

