

US00D660778S

(12) **United States Design Patent**
An et al.

(10) **Patent No.:** **US D660,778 S**

(45) **Date of Patent:** **** May 29, 2012**

(54) **WIPER CONNECTOR FOR A VEHICLE**

(75) Inventors: **Jaehyuck An**, Daegu (KR); **Kwanhee Kim**, Daegu (KR); **Jinwan Park**, Daegu (KR)

(73) Assignee: **KCW Corporation**, Daegu (KR)

(**) Term: **14 Years**

(21) Appl. No.: **29/411,488**

(22) Filed: **Jan. 20, 2012**

(30) **Foreign Application Priority Data**

Jan. 3, 2012 (KR) 30-2012-0000251

(51) **LOC (9) Cl.** **12-06**

(52) **U.S. Cl.** **D12/220**

(58) **Field of Classification Search** D12/219-220;
15/246, 247, 250.001, 250.4, 250.361, 250.19,
15/250.48, 250.03, 250.31-250.33, 250.351,
15/250.38, 250.201, 250.451, 250.458, 250.04,
15/250.07, 250.44

See application file for complete search history.

(56) **References Cited**

U.S. PATENT DOCUMENTS

D553,552 S * 10/2007 Heng D12/220
D556,115 S * 11/2007 Kim D12/219
7,299,520 B2 * 11/2007 Huang 15/250.32
D569,327 S * 5/2008 Lin D12/220
7,434,291 B2 * 10/2008 Chiang 15/250.32
D592,120 S * 5/2009 Grasso et al. D12/220
D597,465 S * 8/2009 Grasso et al. D12/220
D597,467 S * 8/2009 Grasso et al. D12/220
D602,835 S * 10/2009 Rousseau D12/220

D608,717 S * 1/2010 Aglassinger D12/220
D610,519 S * 2/2010 Aglassinger D12/220
D610,520 S * 2/2010 Aglassinger D12/220
2006/0010636 A1 * 1/2006 Vacher 15/250.32
2008/0016643 A1 * 1/2008 Braun et al. 15/250.361
2008/0066254 A1 * 3/2008 Vacher 15/250.32

* cited by examiner

Primary Examiner — Caron D Veynar

Assistant Examiner — Katrina A Betton

(74) *Attorney, Agent, or Firm* — Edwards Wildman Palmer LLP

(57) **CLAIM**

The ornamental design for a wiper connector for a vehicle, as shown and described.

DESCRIPTION

FIG. 1 is a perspective view of a wiper connector for a vehicle according to the present invention.

FIG. 2 is a front view of the wiper connector for a vehicle of FIG. 1.

FIG. 3 is a rear view of the wiper connector for a vehicle of FIG. 1.

FIG. 4 is a left side view of the wiper connector for a vehicle of FIG. 1.

FIG. 5 is a right side view of the wiper connector for a vehicle of FIG. 1.

FIG. 6 is a top view of the wiper connector for a vehicle of FIG. 1.

FIG. 7 is a bottom view of the wiper connector for a vehicle of FIG. 1; and,

FIG. 8 is another perspective view of the wiper connector for a vehicle of FIG. 1.

1 Claim, 8 Drawing Sheets

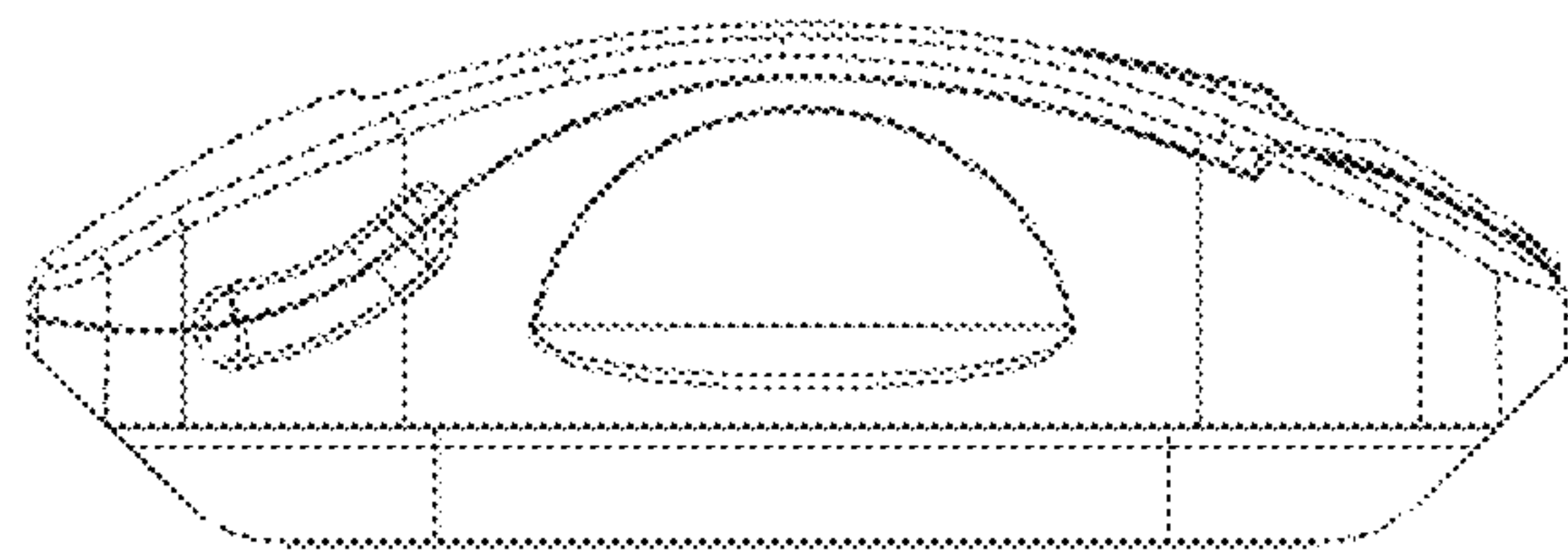
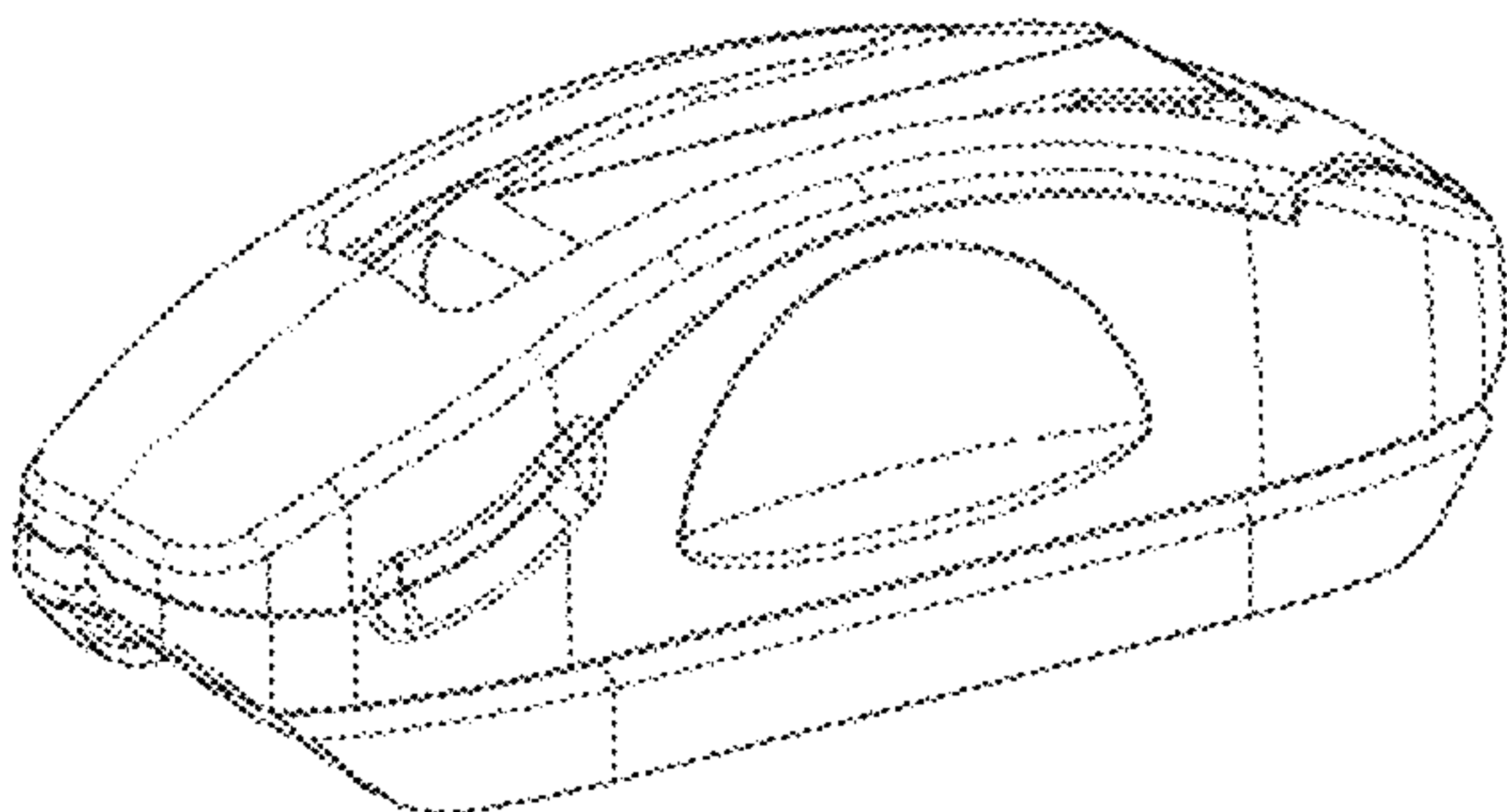


FIG. 1

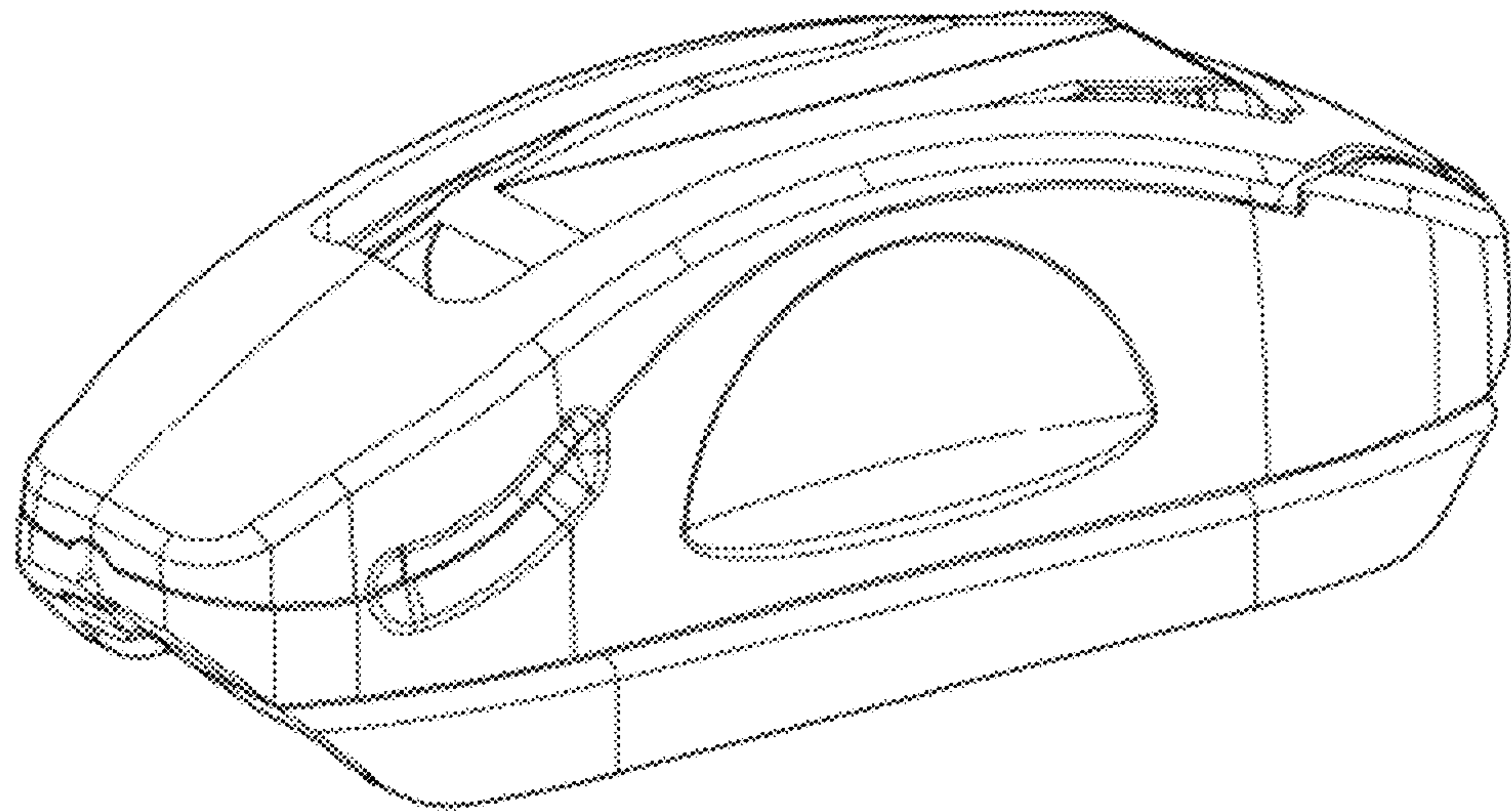


FIG. 2

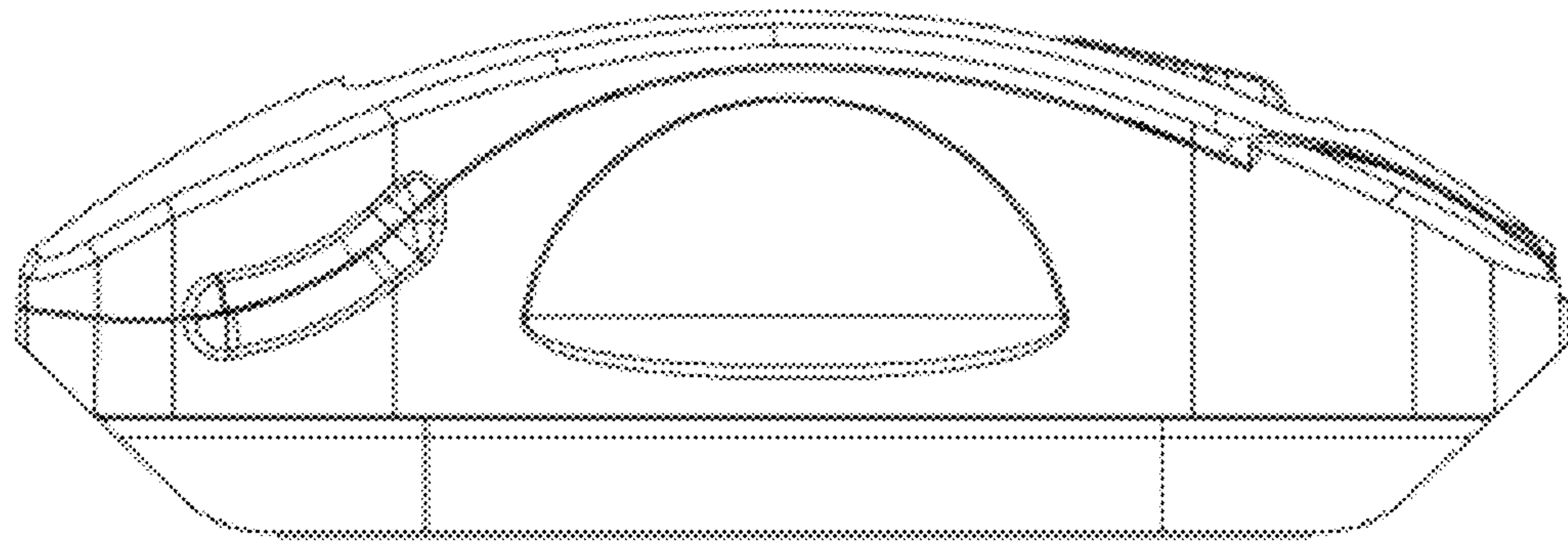


FIG. 3

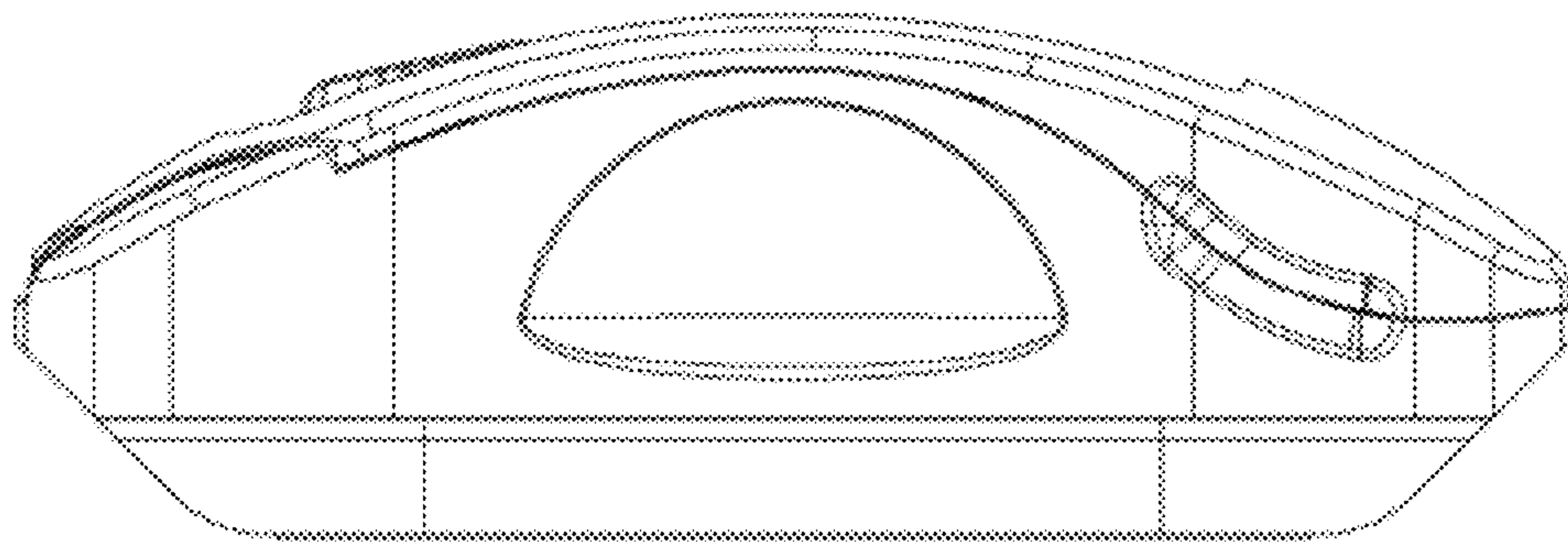


FIG. 4

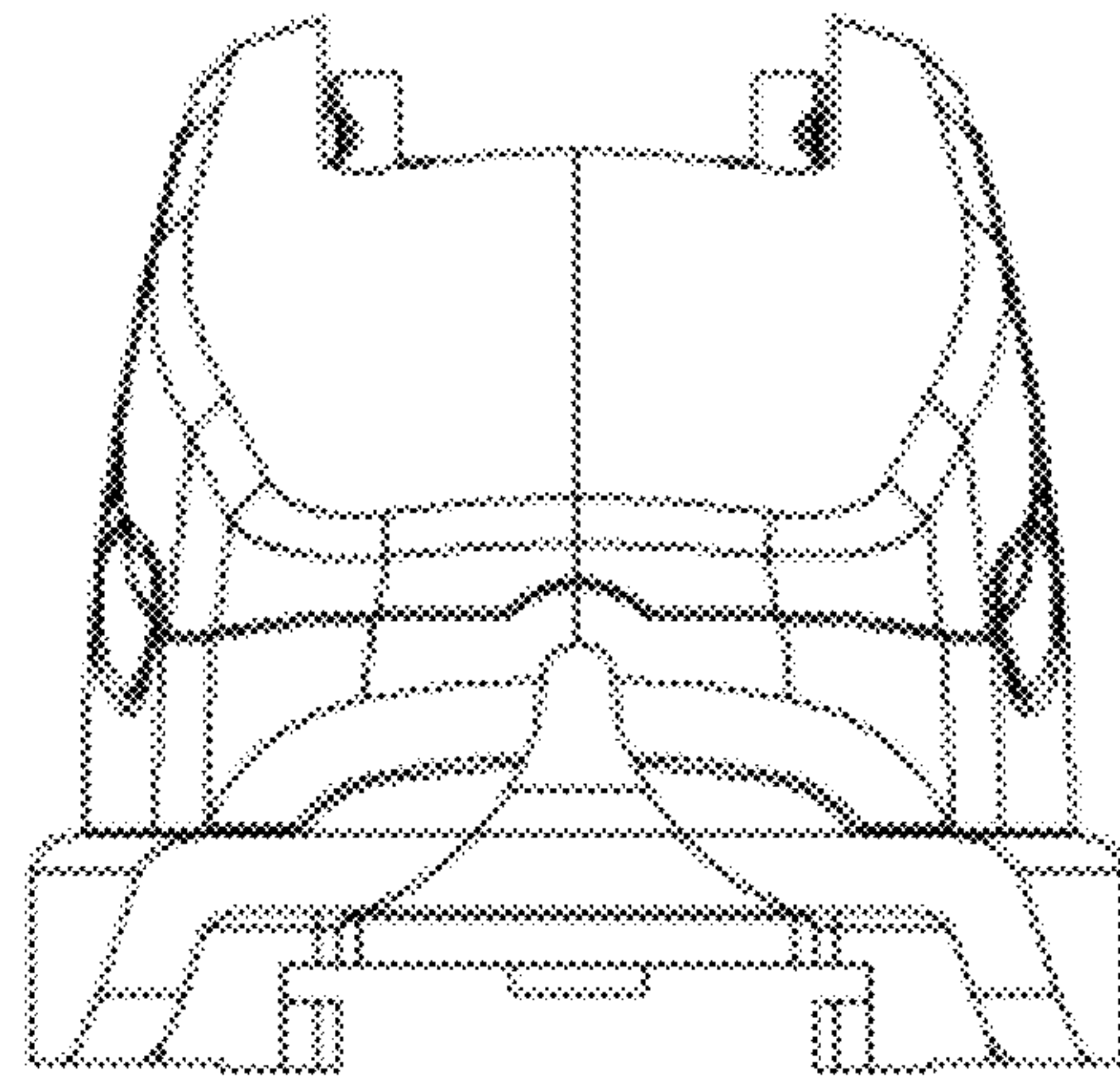


FIG. 5

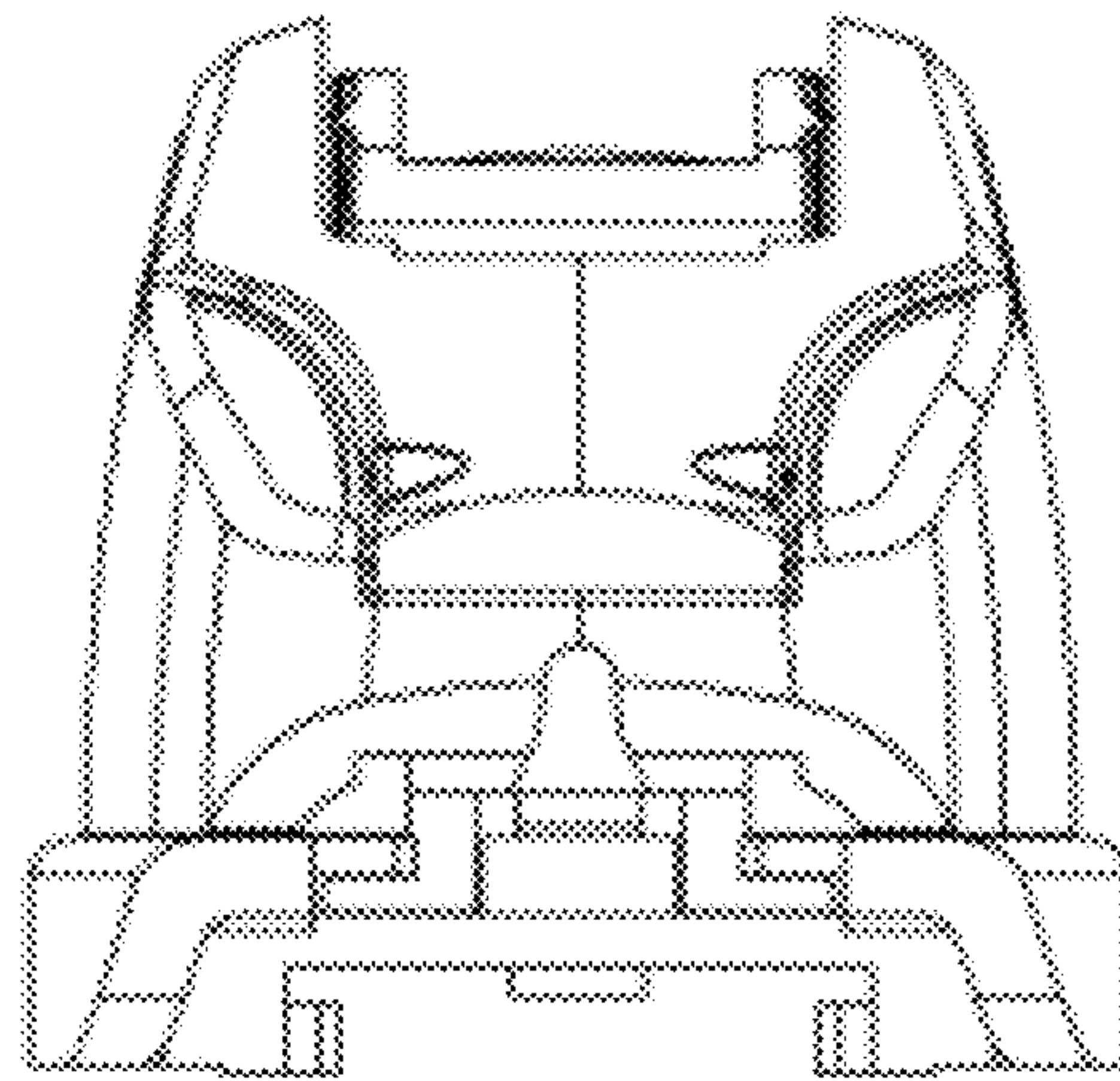


FIG. 6

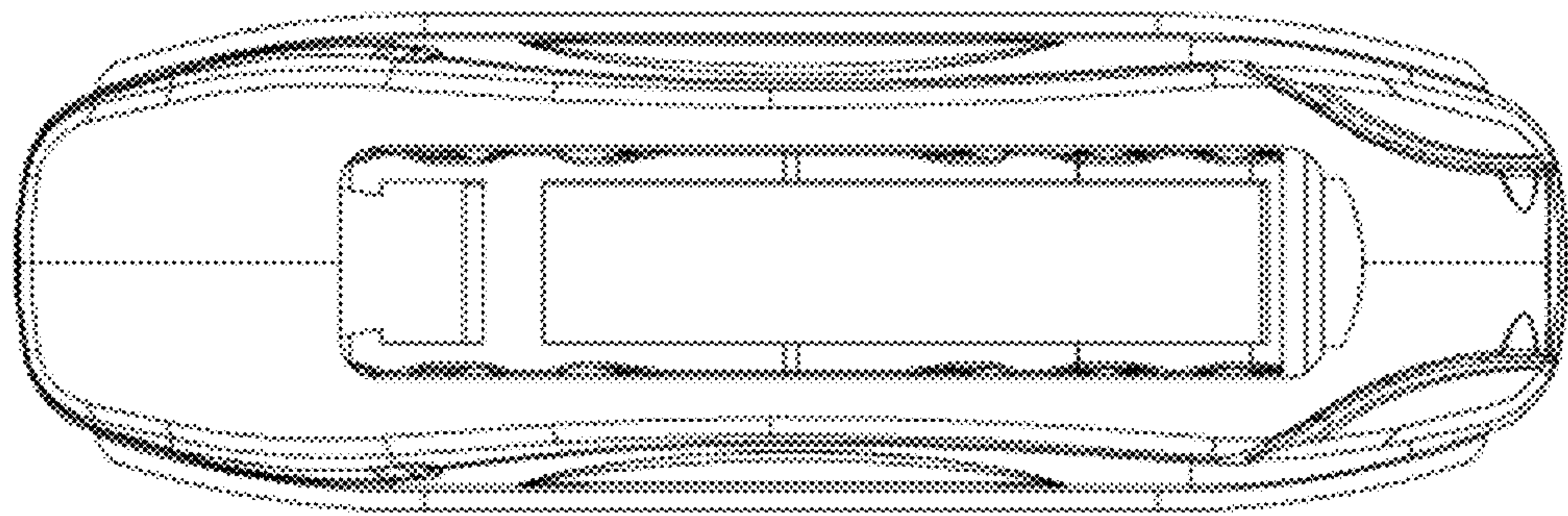


FIG. 7

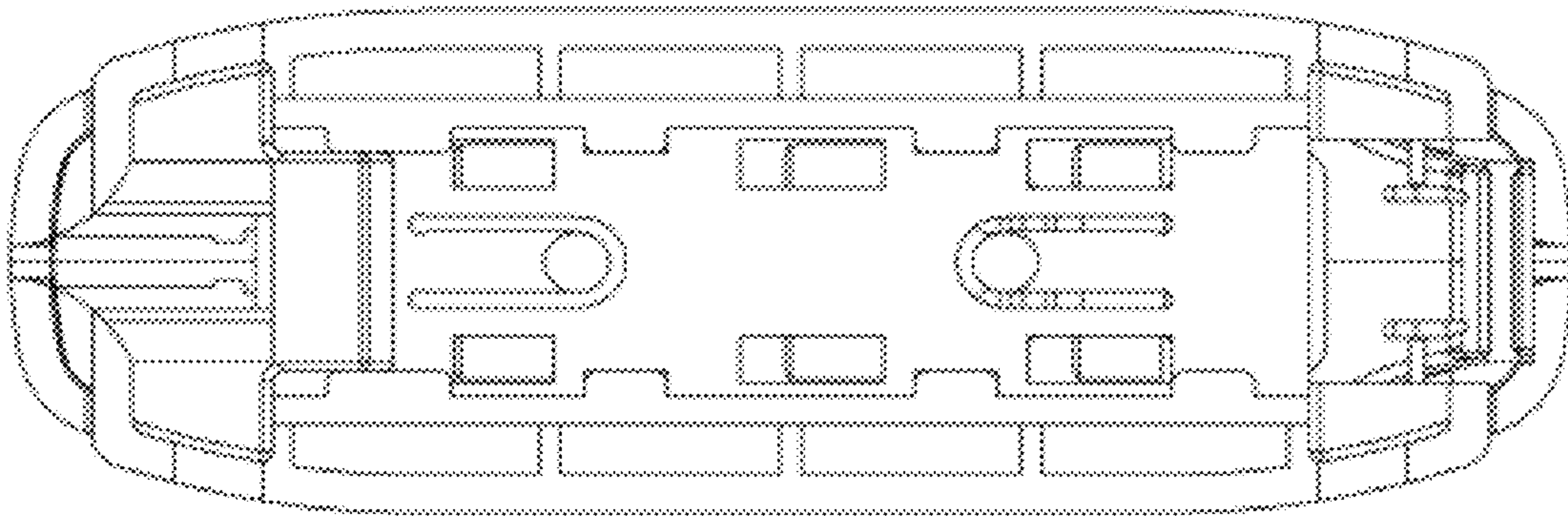


FIG. 8

