



US00D660777S

(12) **United States Design Patent**  
**An et al.**

(10) **Patent No.:** **US D660,777 S**

(45) **Date of Patent:** **\*\* May 29, 2012**

(54) **WIPER CONNECTOR FOR A VEHICLE**

(75) Inventors: **Jaehyuck An**, Daegu (KR); **Kwanhee Kim**, Daegu (KR); **Jinwan Park**, Daegu (KR)

(73) Assignee: **KCW Corporation**, Daegu (KR)

(\*\*) Term: **14 Years**

(21) Appl. No.: **29/411,486**

(22) Filed: **Jan. 20, 2012**

(30) **Foreign Application Priority Data**

Jan. 3, 2012 (KR) ..... 30-2012-0000254

(51) **LOC (9) Cl.** ..... **12-06**

(52) **U.S. Cl.** ..... **D12/220**

(58) **Field of Classification Search** ..... D12/219-220;  
15/246, 247, 250.001, 250.4, 250.361, 250.19,  
15/250.48, 250.03, 250.31-250.33, 250.351,  
15/250.38, 250.201, 250.451, 250.458, 250.04,  
15/250.07, 250.44

See application file for complete search history.

(56) **References Cited**

**U.S. PATENT DOCUMENTS**

D527,336 S \* 8/2006 Van Baelen ..... D12/220  
7,434,291 B2 \* 10/2008 Chiang ..... 15/250.32  
D592,120 S \* 5/2009 Grasso et al. .... D12/220

D597,465 S \* 8/2009 Grasso et al. .... D12/220  
D597,467 S \* 8/2009 Grasso et al. .... D12/220  
2006/0016636 A1 \* 1/2006 Durbic ..... 182/3

\* cited by examiner

*Primary Examiner* — Caron D Veynar

*Assistant Examiner* — Katrina A Betton

(74) *Attorney, Agent, or Firm* — Edwards Wildman Palmer LLP

(57) **CLAIM**

The ornamental design for a wiper connector for a vehicle, as shown and described.

**DESCRIPTION**

FIG. 1 is a perspective view of a wiper connector for a vehicle according to the present invention.

FIG. 2 is a front view of the wiper connector for a vehicle of FIG. 1.

FIG. 3 is a rear view of the wiper connector for a vehicle of FIG. 1.

FIG. 4 is a left side view of the wiper connector for a vehicle of FIG. 1.

FIG. 5 is a right side view of the wiper connector for a vehicle of FIG. 1.

FIG. 6 is a top view of the wiper connector for a vehicle of FIG. 1.

FIG. 7 is a bottom view of the wiper connector for a vehicle of FIG. 1; and,

FIG. 8 is another perspective view of the wiper connector for a vehicle of FIG. 1.

**1 Claim, 8 Drawing Sheets**

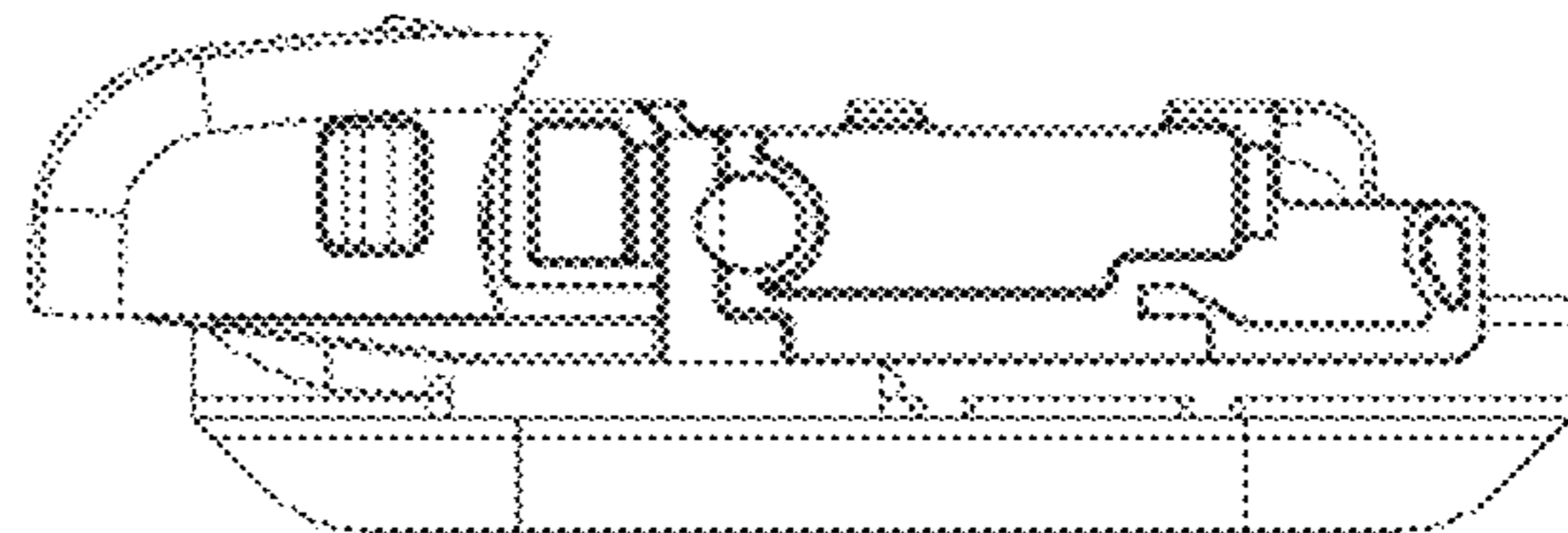
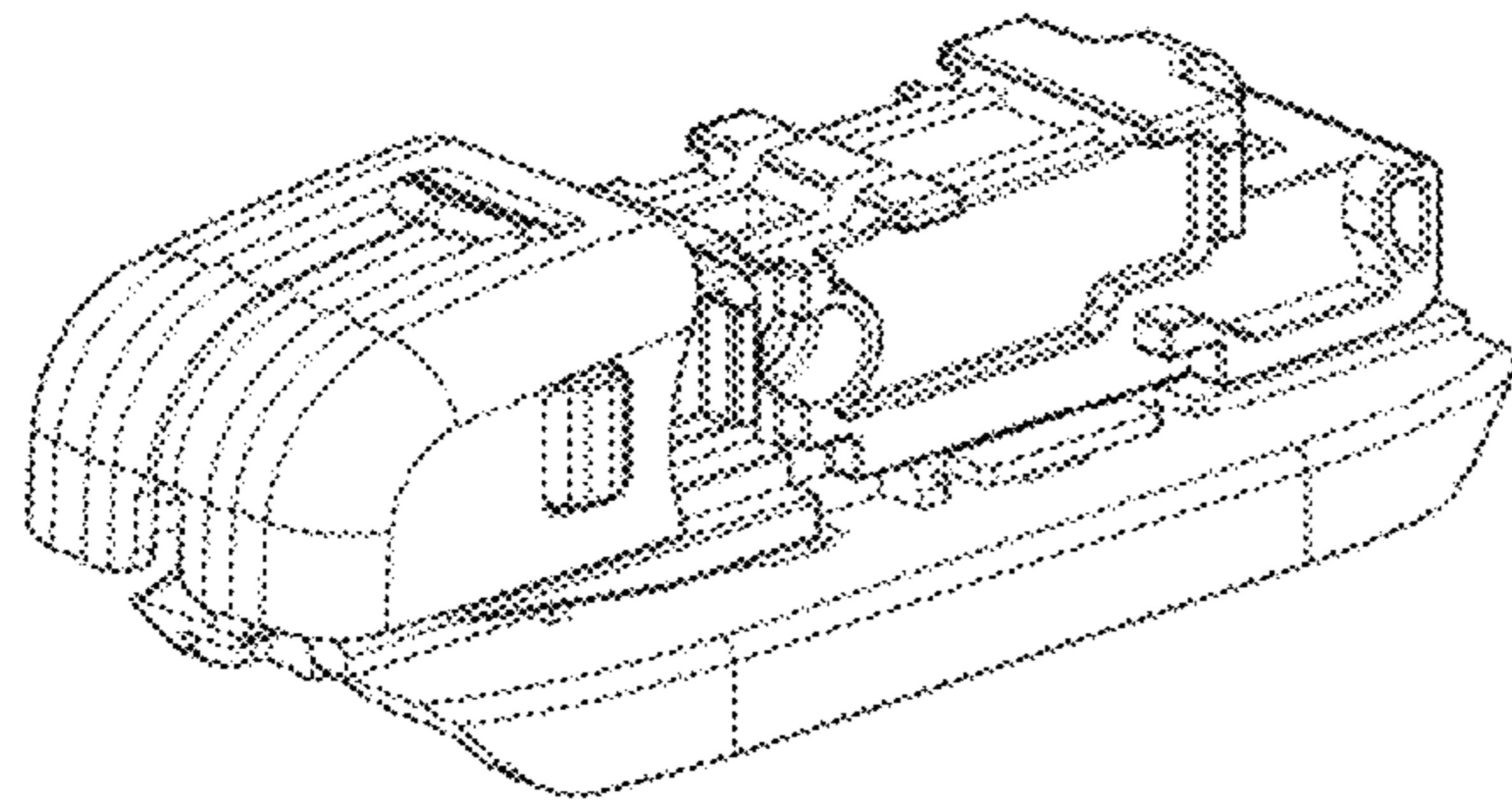


FIG. 1

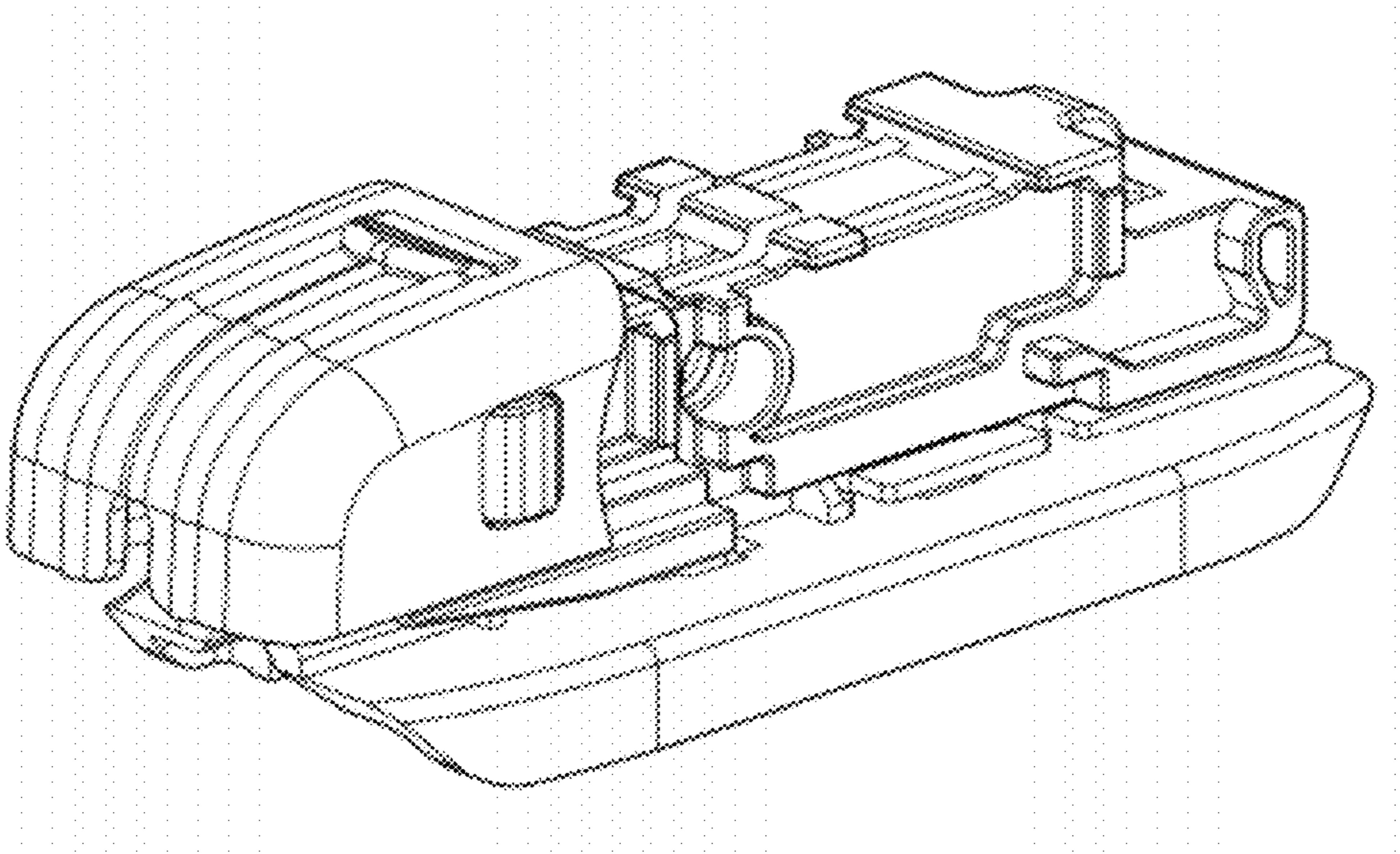


FIG. 2

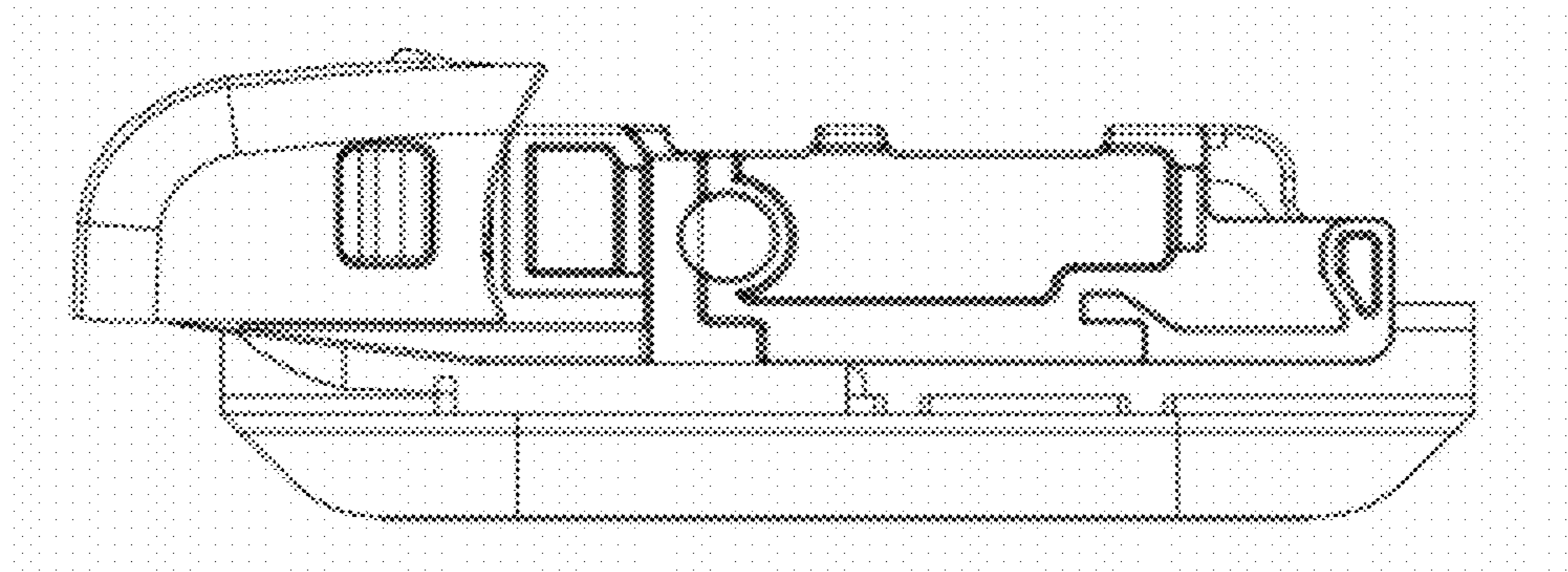
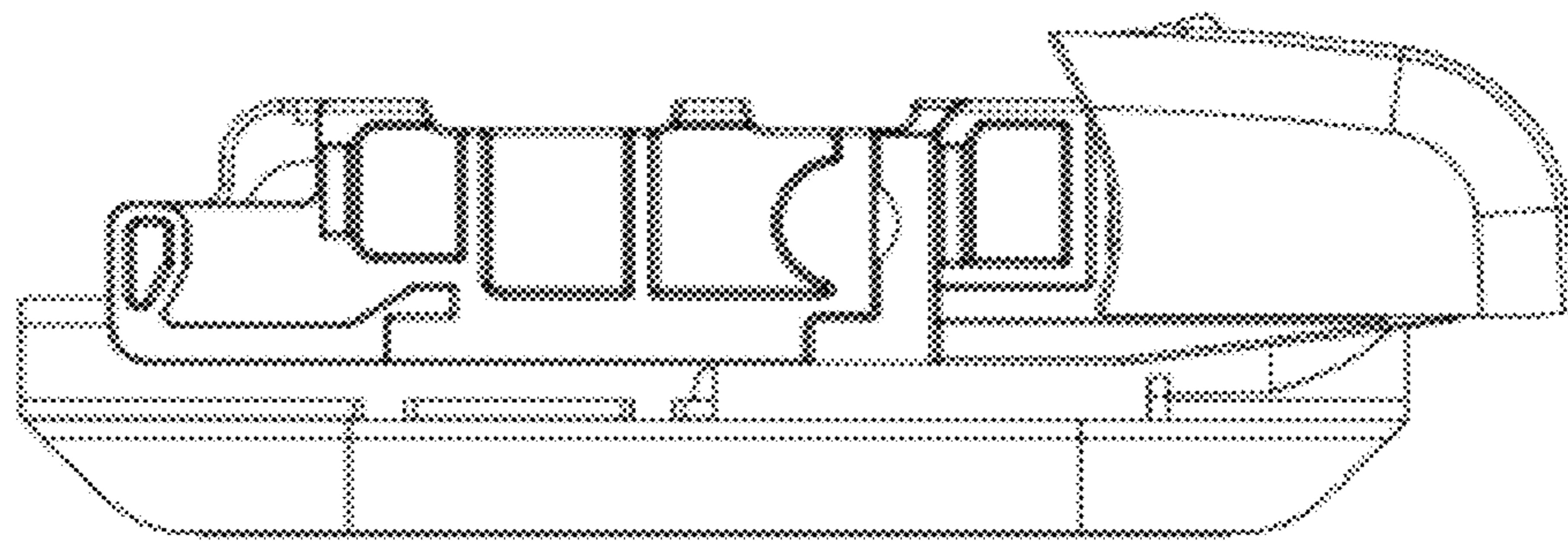
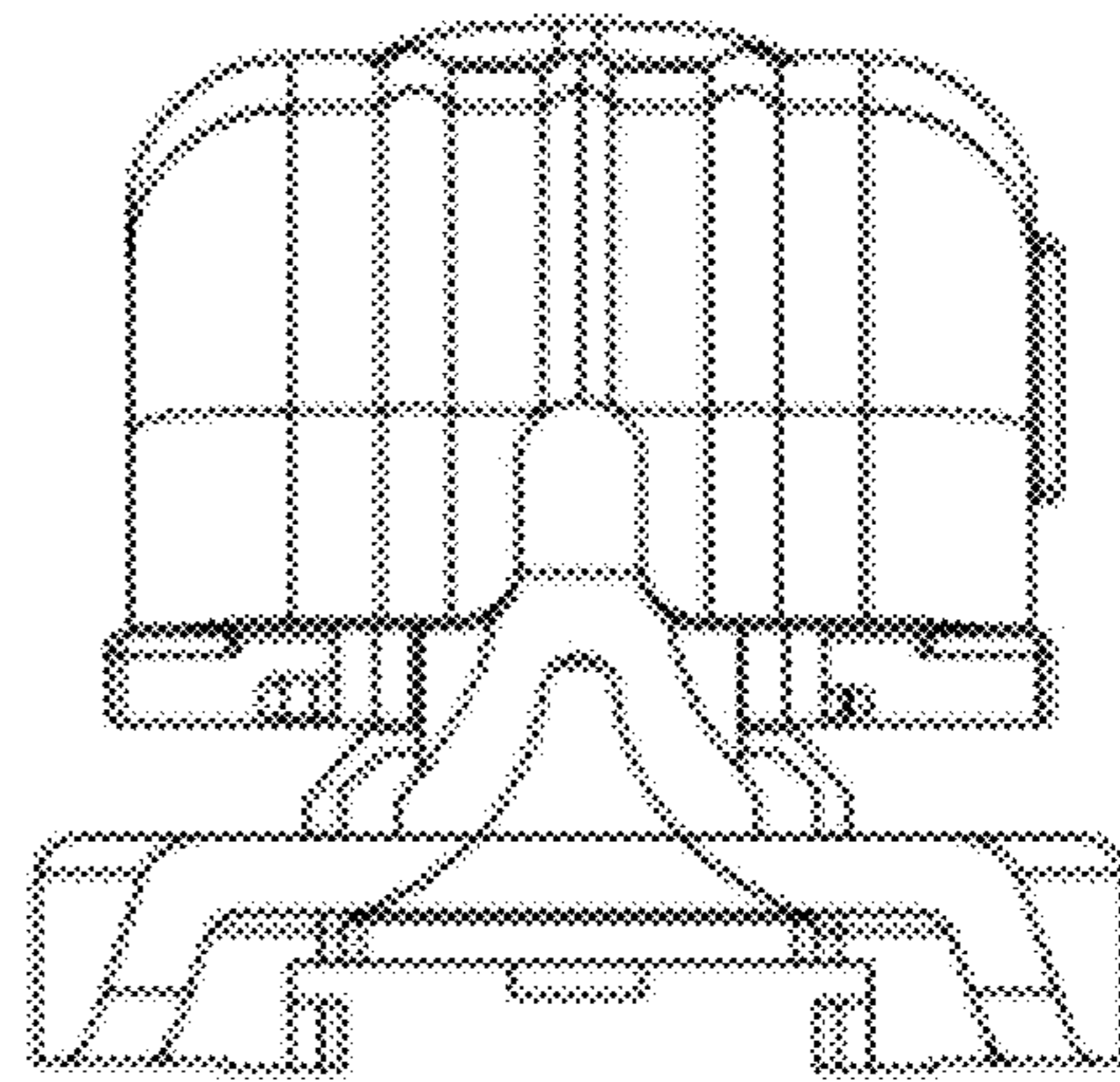


FIG. 3



**FIG. 4**



**FIG. 5**

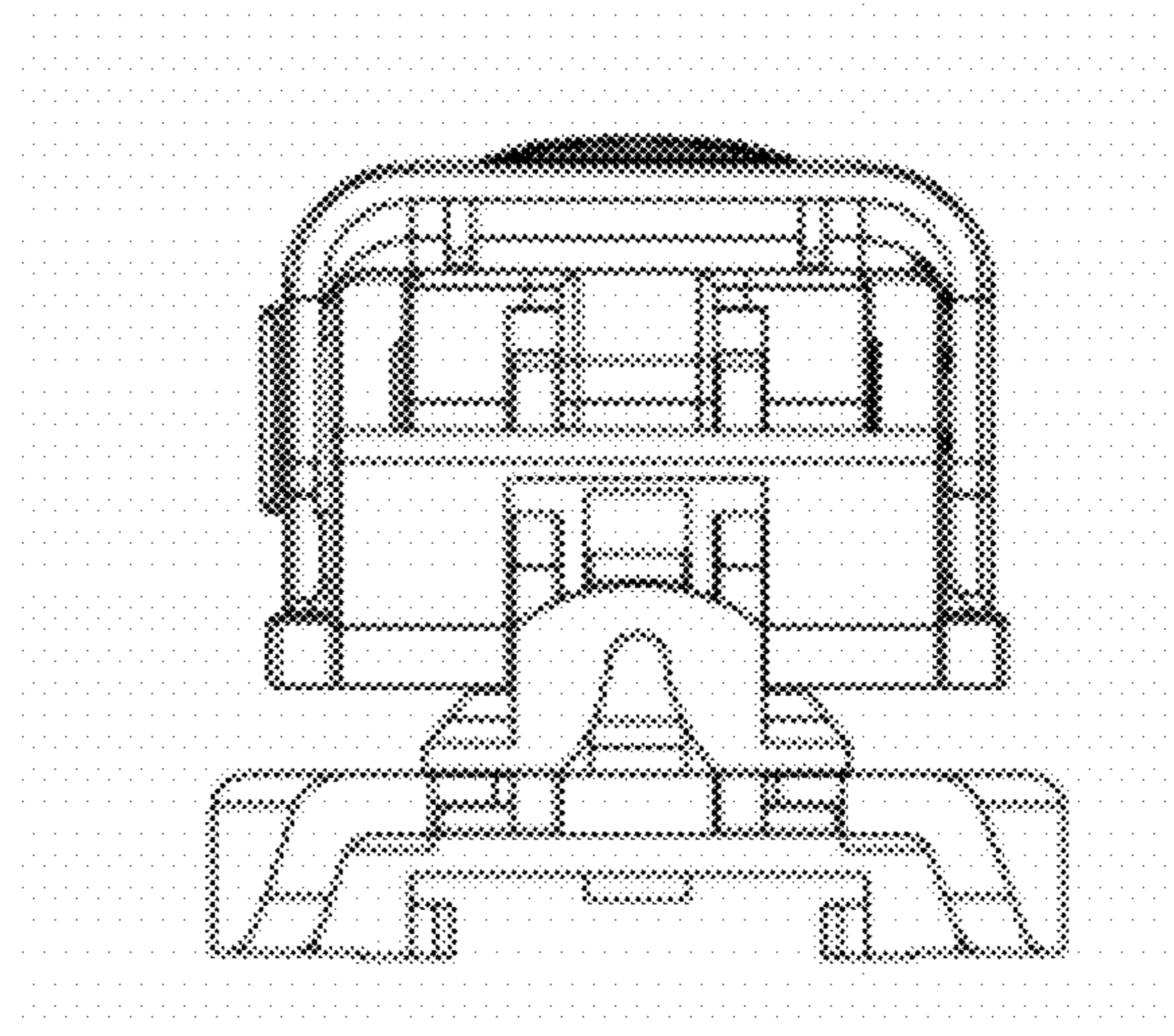


FIG. 6

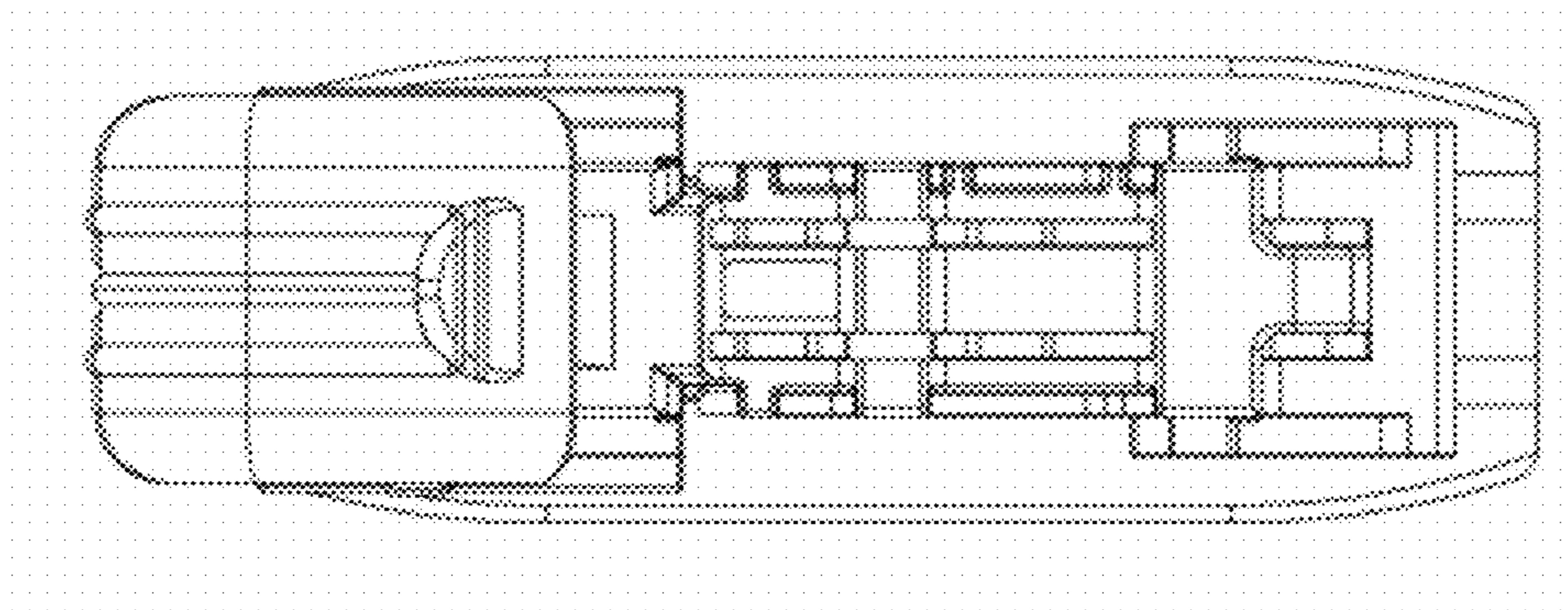
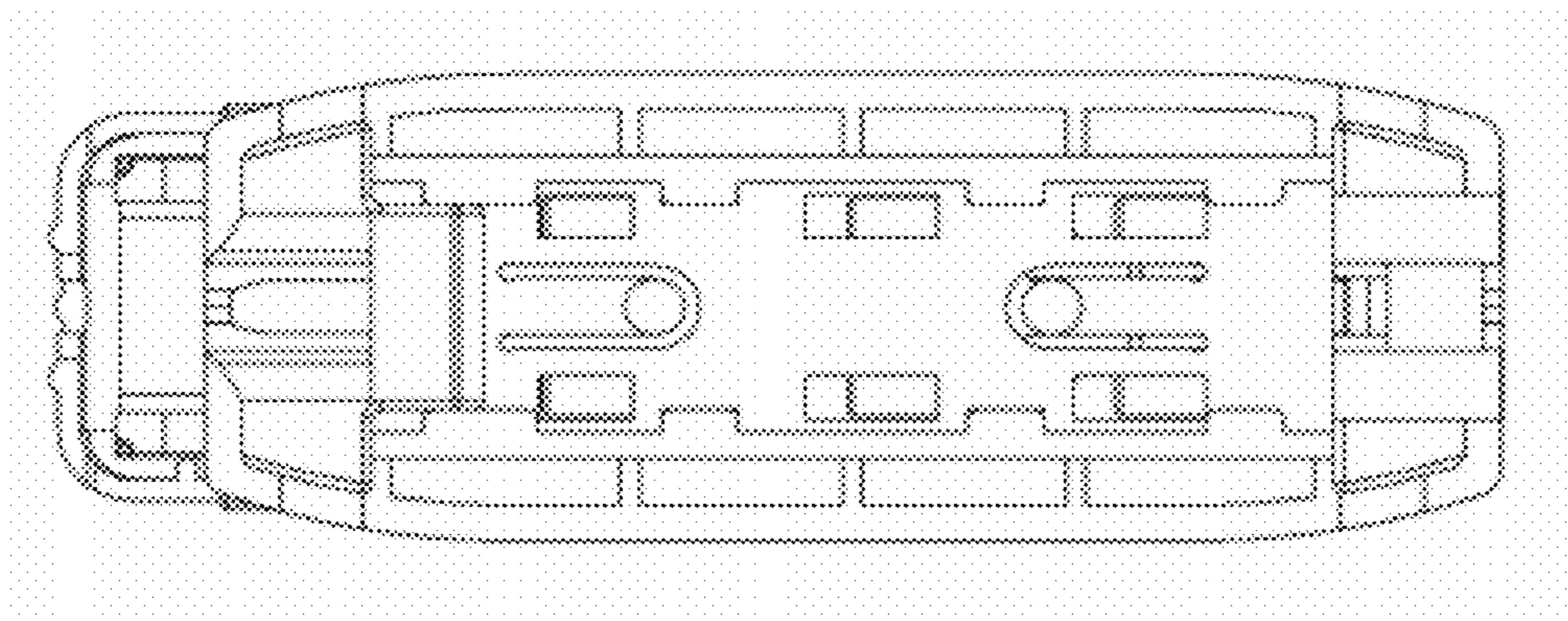


FIG. 7





**FIG. 8**

