



US00D660775S

(12) **United States Design Patent**  
**An et al.**

(10) **Patent No.:** **US D660,775 S**

(45) **Date of Patent:** **\*\* May 29, 2012**

(54) **WIPER FOR A VEHICLE**

(76) Inventors: **Jaehyuck An**, Daegu (KR); **Kwanhee Kim**, Daegu (KR); **Jinwan Park**, Daegu (KR)

(\*\*) Term: **14 Years**

(21) Appl. No.: **29/411,481**

(22) Filed: **Jan. 20, 2012**

(30) **Foreign Application Priority Data**

Jan. 3, 2012 (KR) ..... 30-2012-0000256

(51) **LOC (9) Cl.** ..... **12-06**

(52) **U.S. Cl.** ..... **D12/219**

(58) **Field of Classification Search** ..... D12/219-220;  
15/246, 247, 250.001, 250.4, 250.361, 250.19,  
15/250.48, 250.03, 250.31-250.33, 250.351,  
15/250.38, 250.201, 250.451, 250.458, 250.04,  
15/250.07, 250.44

See application file for complete search history.

(56) **References Cited**

U.S. PATENT DOCUMENTS

D596,102 S \* 7/2009 Kim ..... D12/219  
D601,077 S \* 9/2009 Kim ..... D12/219  
7,587,783 B1 \* 9/2009 Lin ..... 15/250.43  
D615,918 S \* 5/2010 Kim ..... D12/219  
D637,132 S \* 5/2011 Kim ..... D12/219

2005/0039292 A1 \* 2/2005 Boland ..... 15/250.32  
2009/0013492 A1 \* 1/2009 Henin ..... 15/250.452  
2009/0064440 A1 \* 3/2009 Boland ..... 15/250.48  
2010/0275403 A1 \* 11/2010 Jollec ..... 15/250.361

\* cited by examiner

*Primary Examiner* — Caron D Veynar

*Assistant Examiner* — Katrina A Betton

(74) *Attorney, Agent, or Firm* — Edwards Wildman Palmer LLP

(57) **CLAIM**

The ornamental design for a wiper for a vehicle, as shown and described.

**DESCRIPTION**

FIG. 1 is a perspective view of a wiper for a vehicle according to the present invention.

FIG. 2 is a front view of the wiper for a vehicle of FIG. 1.

FIG. 3 is a rear view of the wiper for a vehicle of FIG. 1.

FIG. 4 is a left side view of the wiper for a vehicle of FIG. 1.

FIG. 5 is a right side view of the wiper for a vehicle of FIG. 1.

FIG. 6 is a top view of the wiper for a vehicle of FIG. 1.

FIG. 7 is a bottom view of the wiper for a vehicle of FIG. 1.

FIG. 8 is an enlarged perspective view of a central portion of the wiper for a vehicle of FIG. 1.

FIG. 9 is an enlarged left side view of the wiper for a vehicle of FIG. 1; and,

FIG. 10 is an enlarged right side view of the wiper for a vehicle of FIG. 1.

**1 Claim, 10 Drawing Sheets**

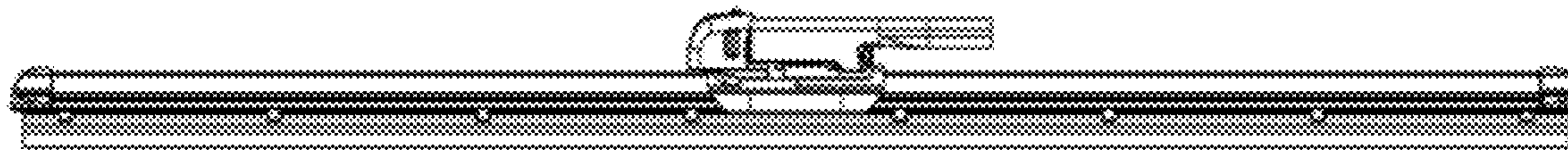


FIG. 1

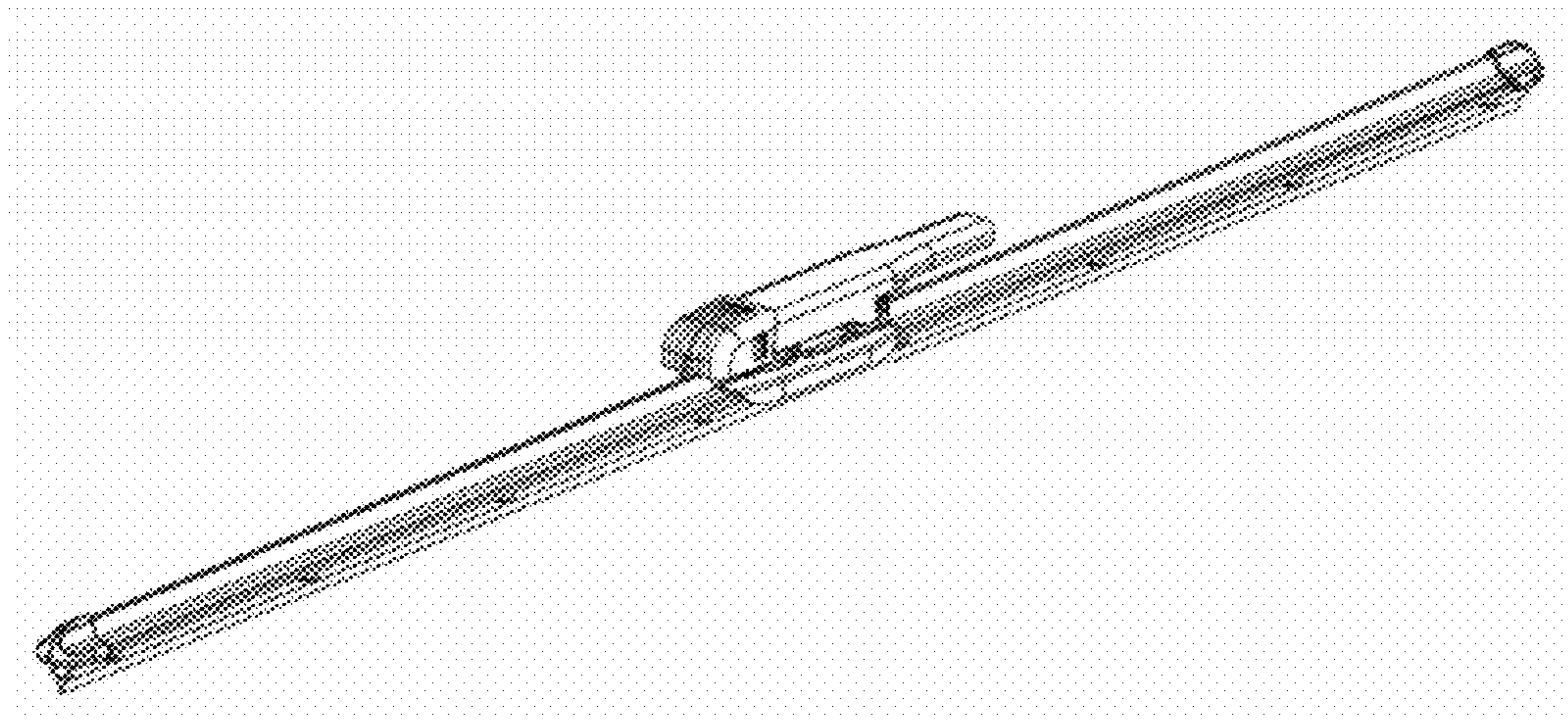


FIG. 2

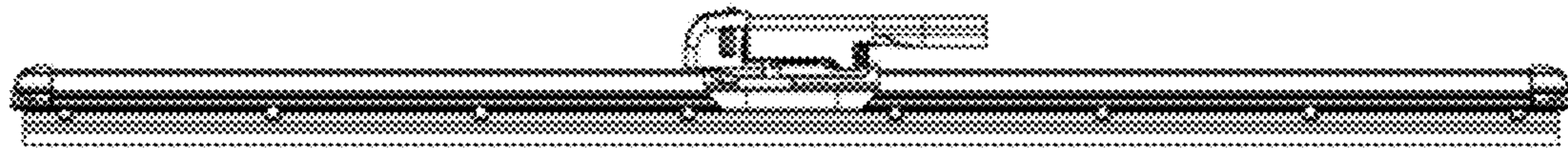
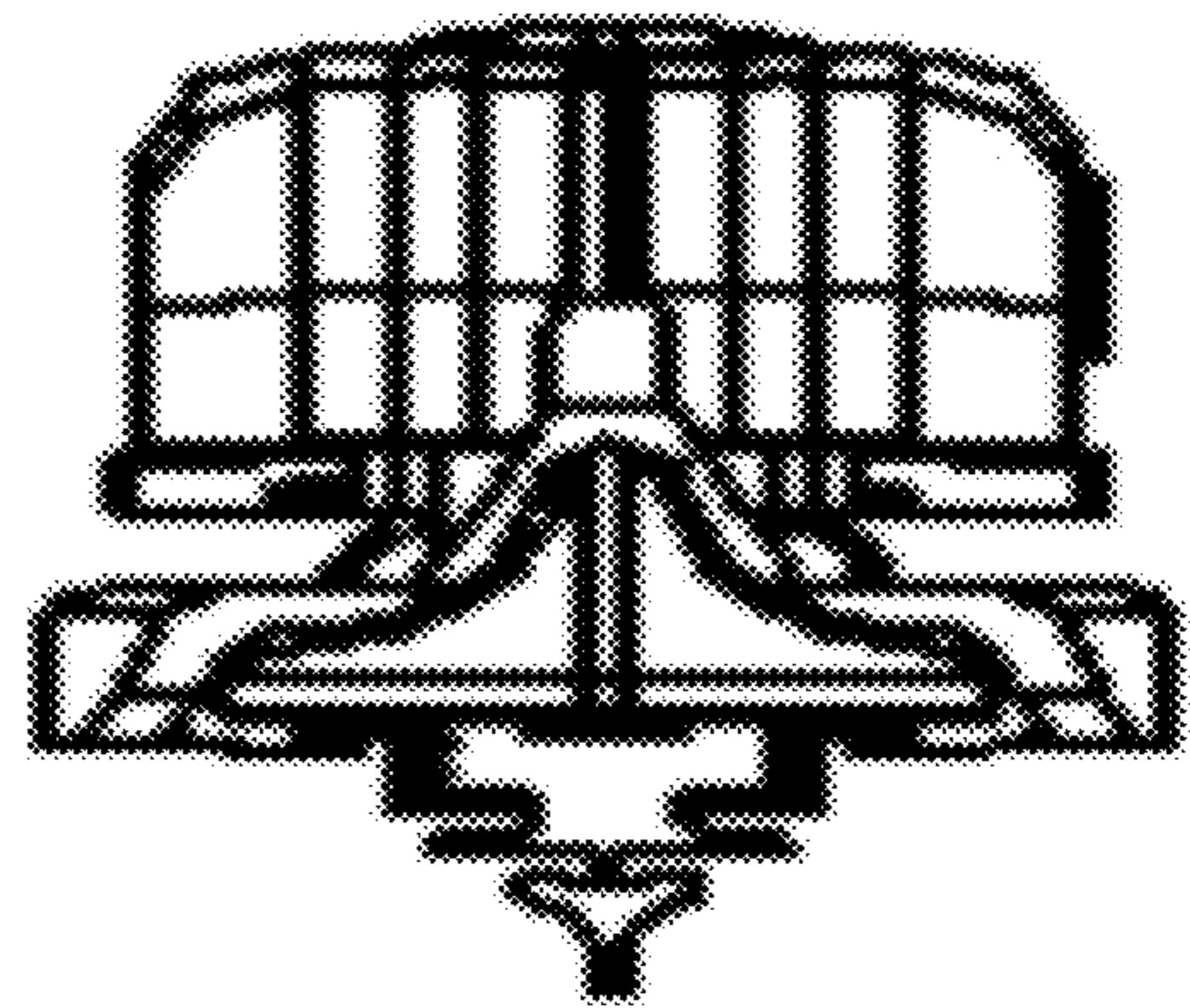


FIG. 3



**FIG. 4**



**FIG. 5**

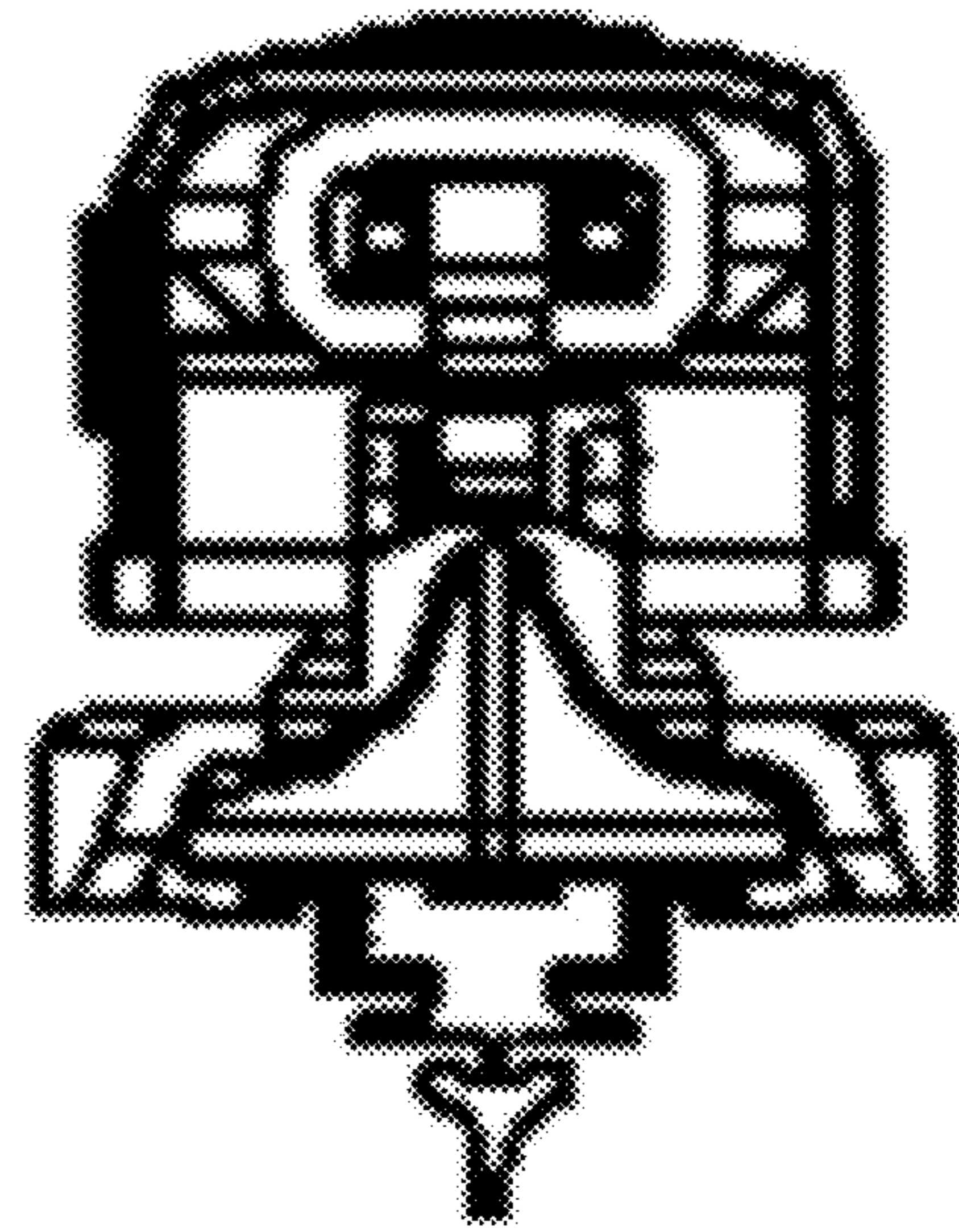


FIG. 6

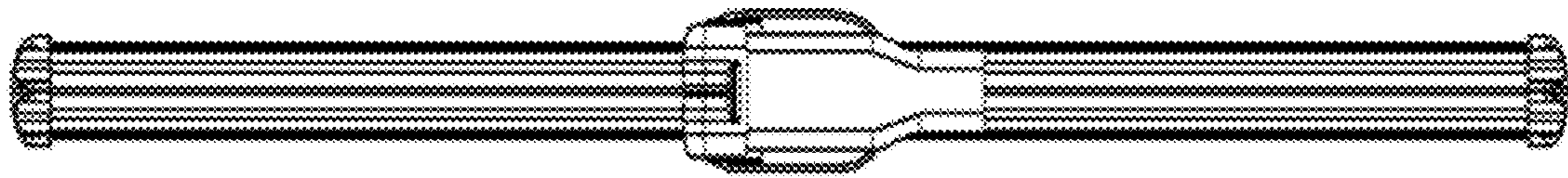
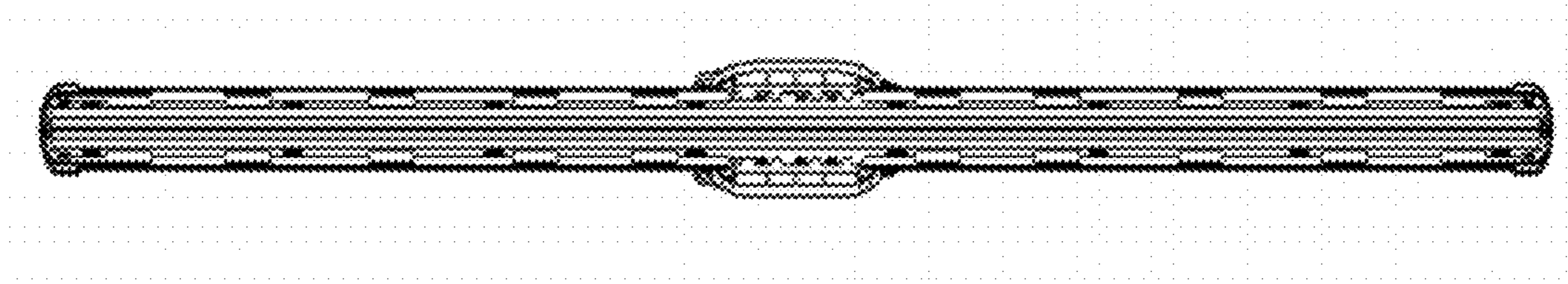
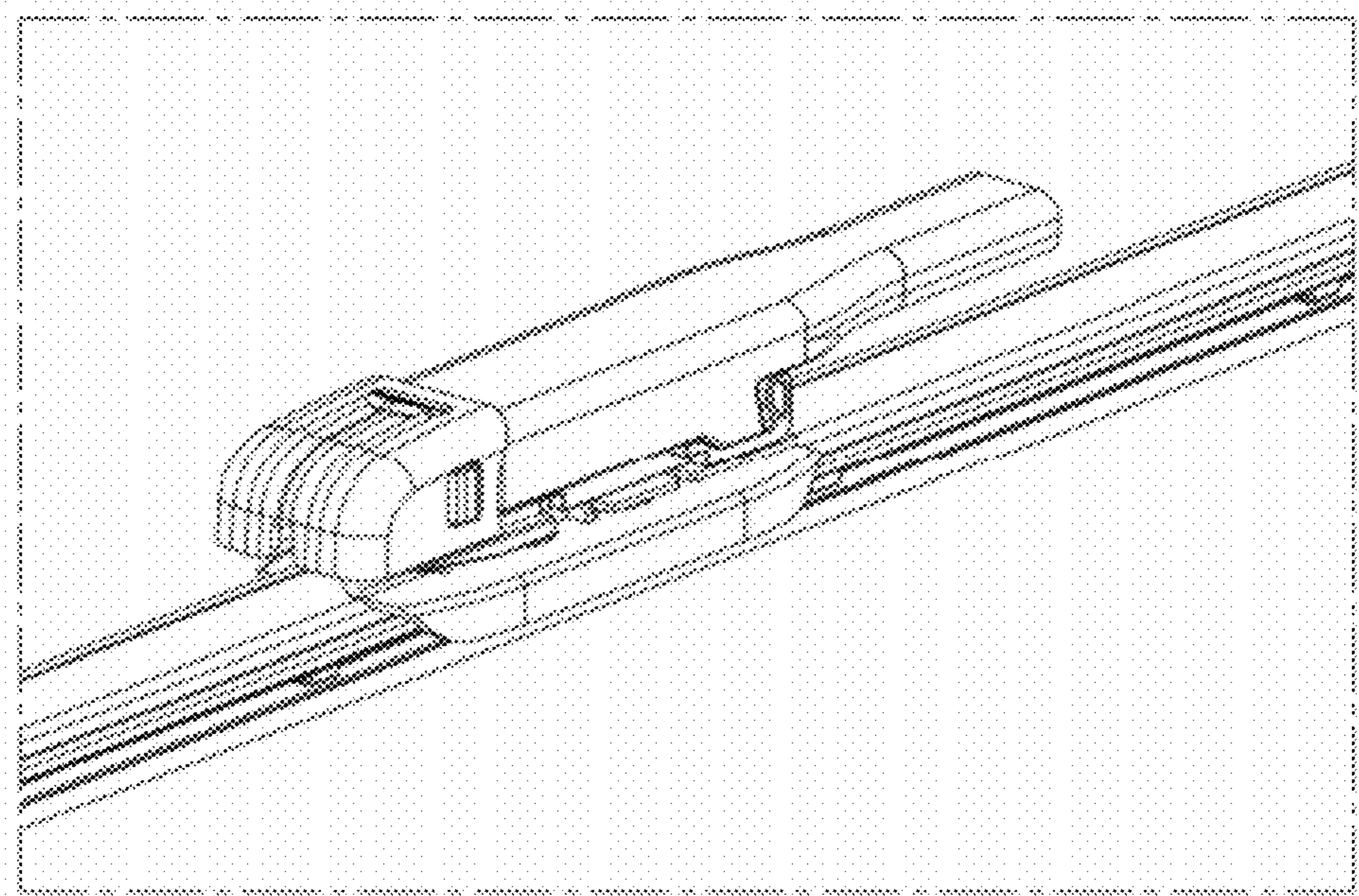


FIG. 7

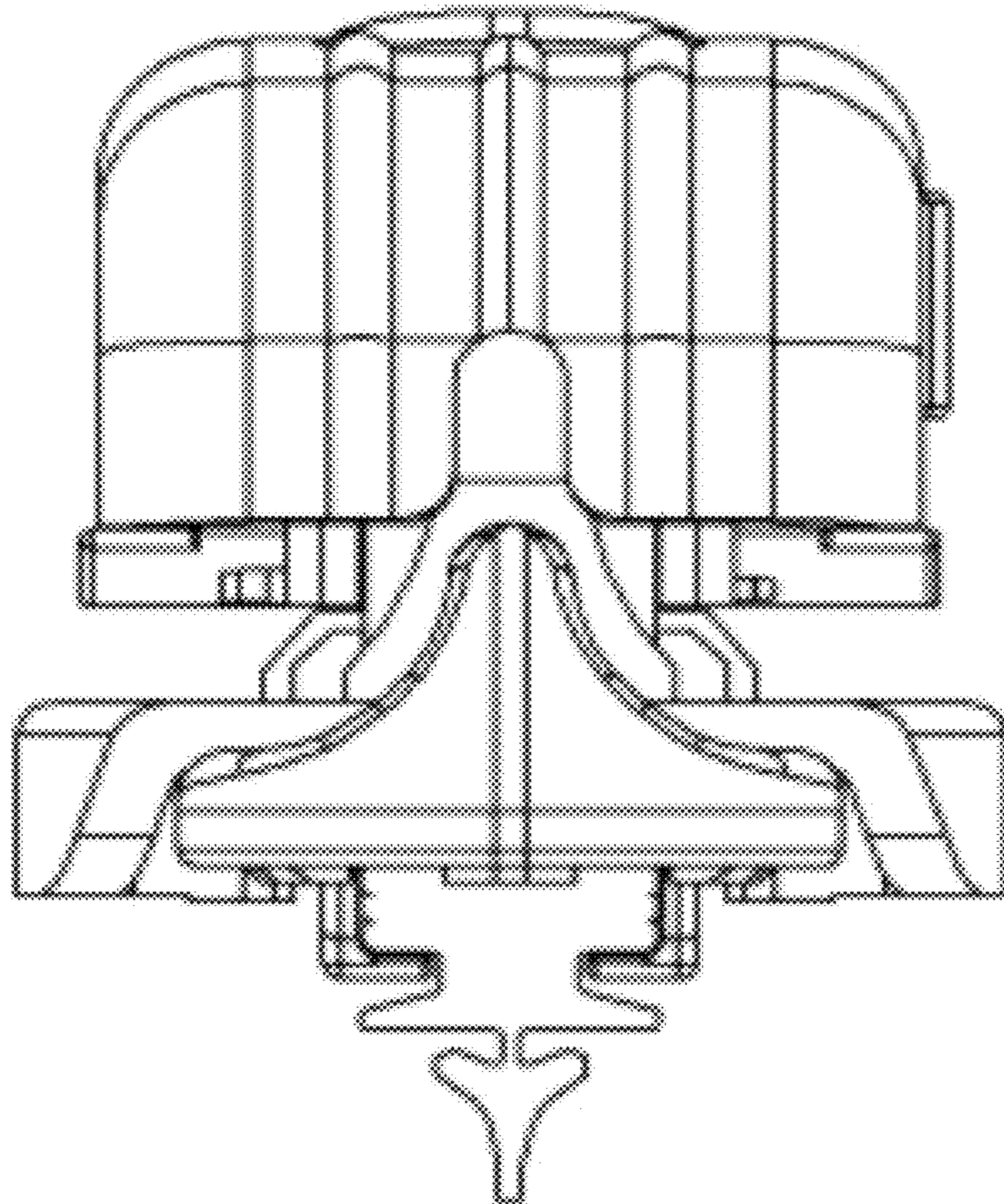




**FIG. 8**



**FIG. 9**



**FIG. 10**

