

US00D660772S

(12) **United States Design Patent**
Gotschke et al.

(10) **Patent No.:** **US D660,772 S**
(45) **Date of Patent:** **** May 29, 2012**

(54) **VEHICLE WHEEL**

(75) Inventors: **Wolfgang Gotschke**, Cologne (DE);
Ulrike Kolb, Cologne (DE)

(73) Assignee: **Ford Motor Company**, Dearborn, MI
(US)

(**) Term: **14 Years**

(21) Appl. No.: **29/405,441**

(22) Filed: **Nov. 2, 2011**

(51) **LOC (9) Cl.** **12-16**

(52) **U.S. Cl.** **D12/211**

(58) **Field of Classification Search** D12/204–213;
301/37.101, 64.101, 65, 64.201
See application file for complete search history.

(56) **References Cited**

U.S. PATENT DOCUMENTS

D413,853	S	*	9/1999	Hale, Jr.	D12/211
D473,836	S	*	4/2003	Laengerer	D12/211
D506,967	S	*	7/2005	Kamimura	D12/211
D521,922	S	*	5/2006	Scheu	D12/211

D522,439	S	*	6/2006	Laengerer	D12/211
D570,275	S	*	6/2008	Laengerer	D12/211
D585,009	S	*	1/2009	Rak	D12/211
D585,352	S	*	1/2009	Scheu	D12/211
D595,202	S	*	6/2009	Spoerle	D12/211
D610,515	S	*	2/2010	Platto et al.	D12/211
D626,488	S	*	11/2010	Yoon	D12/211
D634,692	S	*	3/2011	Stefanov	D12/211
D635,905	S	*	4/2011	Toth	D12/211
D639,227	S	*	6/2011	Leclercq	D12/211

OTHER PUBLICATIONS

Car Advice, Oct. 5, 2011, 2013 Ford Mondeo Mule Spy Photot.

* cited by examiner

Primary Examiner — Stacia Cadmus

(74) *Attorney, Agent, or Firm* — Damian Porcari

(57) **CLAIM**

The ornamental design for a vehicle wheel, as shown and described.

DESCRIPTION

FIG. 1 is a front view of a vehicle wheel; and,
FIG. 2 is a perspective view of the vehicle wheel.

1 Claim, 2 Drawing Sheets

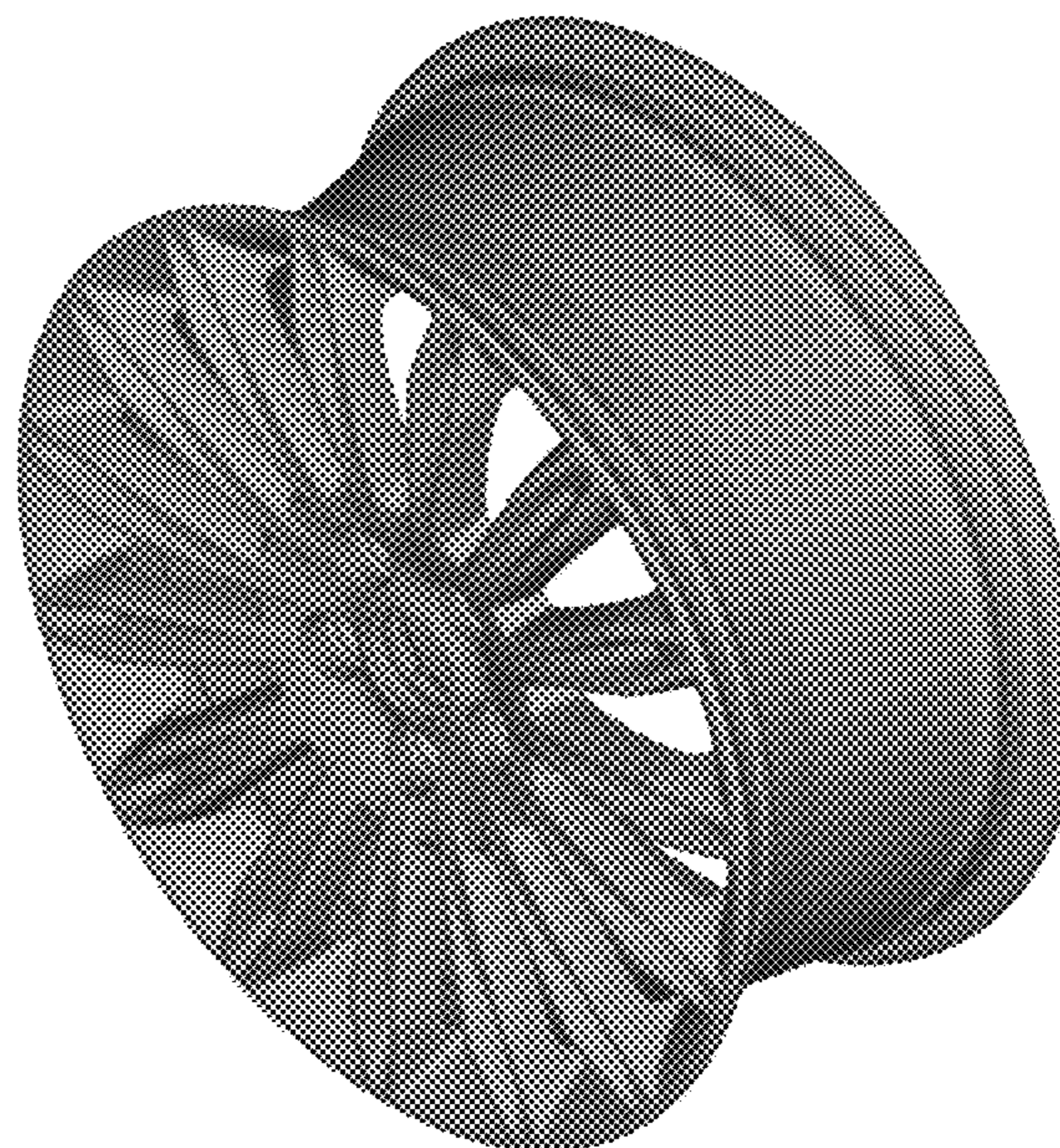
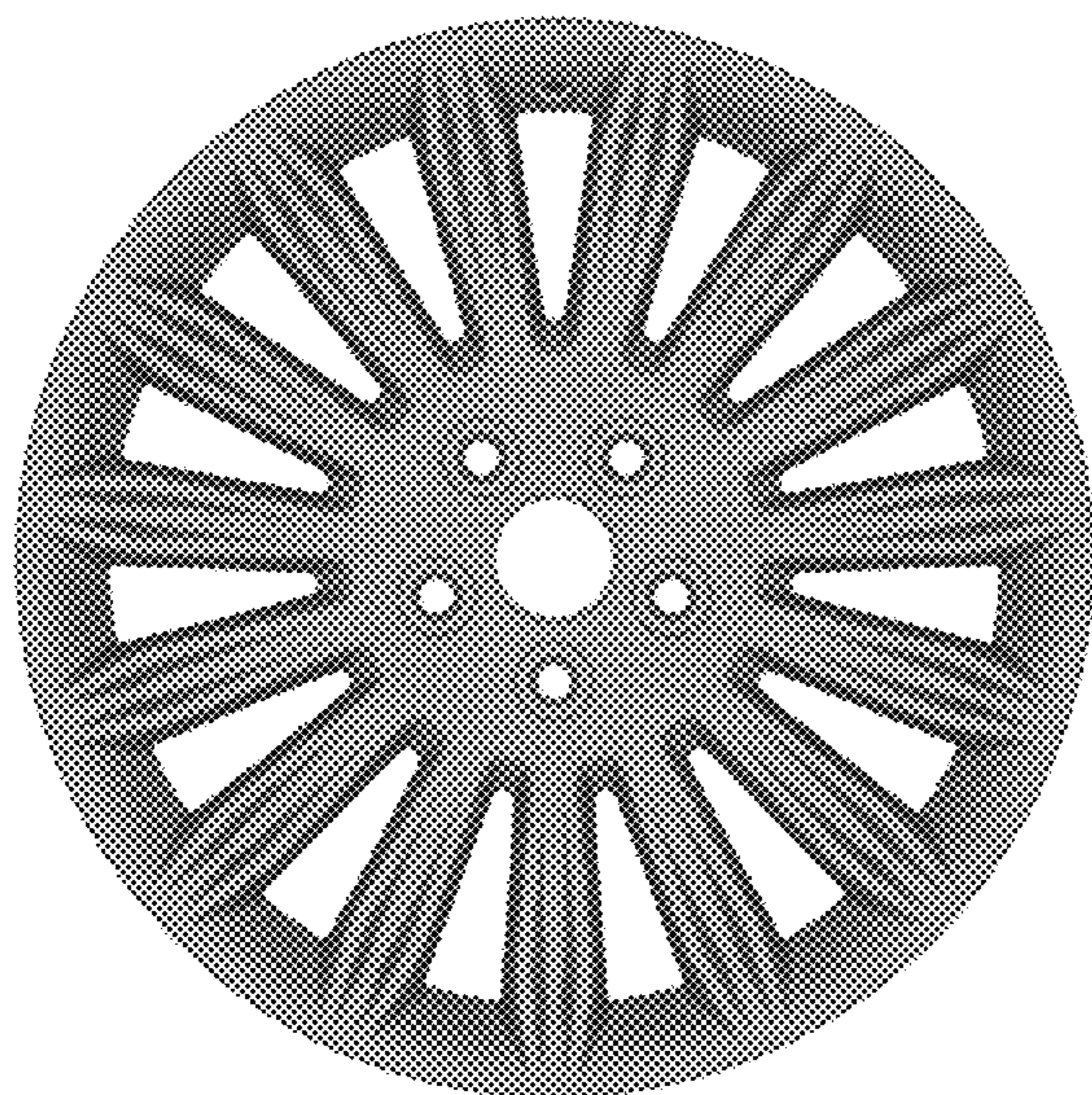




Figure 1

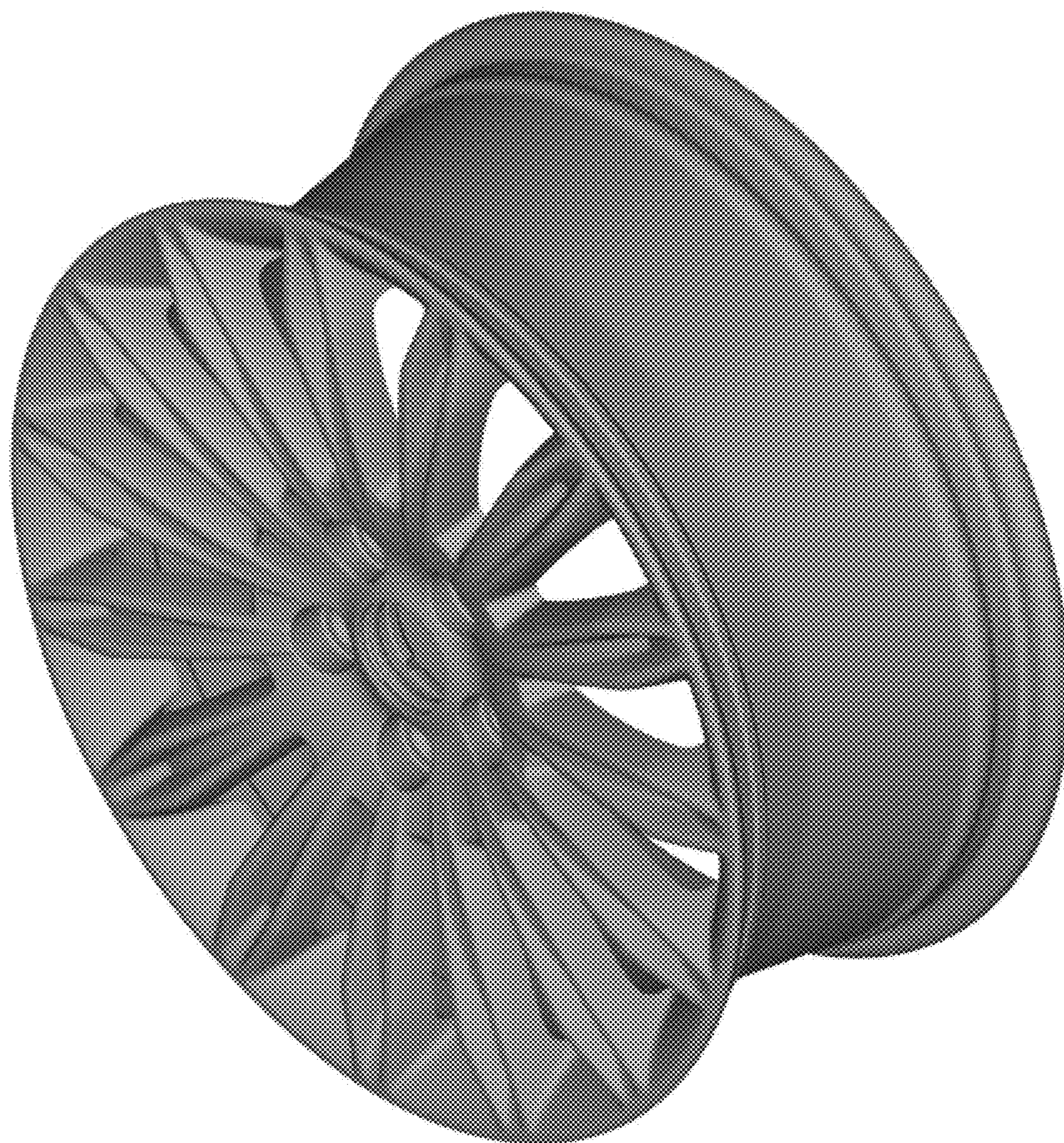


Figure 2