



US00D660768S

(12) **United States Design Patent**
De Bono

(10) **Patent No.:** **US D660,768 S**

(45) **Date of Patent:** **** May 29, 2012**

(54) **WHEEL OR WHEEL COVER**

(75) **Inventor:** **Michael Theodore De Bono, Munich (DE)**

(73) **Assignee:** **Bayerische Motoren Werke Aktiengesellschaft, Munich (DE)**

(**) **Term:** **14 Years**

(21) **Appl. No.:** **29/347,967**

(22) **Filed:** **Aug. 20, 2010**

(30) **Foreign Application Priority Data**

Feb. 22, 2010 (DE) 40 2010 001 117

(51) **LOC (9) Cl.** **12-16**

(52) **U.S. Cl.** **D12/211**

(58) **Field of Classification Search** D12/204-213;
301/37.101, 64.101, 65, 64.201

See application file for complete search history.

(56) **References Cited**

U.S. PATENT DOCUMENTS

| | | | |
|------------|-----------|-------------------|---------|
| D503,370 S | 3/2005 | Nordmann | |
| D504,647 S | 5/2005 | Leclercq | |
| D530,257 S | * 10/2006 | Pfeiffer | D12/211 |
| D562,207 S | * 2/2008 | Pfeiffer | D12/211 |
| D575,718 S | * 8/2008 | Pfeiffer | D12/211 |
| D581,851 S | * 12/2008 | Scheu | D12/211 |
| D589,428 S | * 3/2009 | Scheu | D12/211 |
| D594,396 S | 6/2009 | Juergens et al. | |
| D608,715 S | * 1/2010 | Bucher et al. | D12/211 |
| D619,950 S | * 7/2010 | Antoniadis et al. | D12/209 |
| D625,235 S | 10/2010 | Nissl | |

| | | | |
|------------|-----------|---------------|---------|
| D626,053 S | * 10/2010 | Groom | D12/211 |
| D631,816 S | * 2/2011 | Foose | D12/211 |
| D645,389 S | * 9/2011 | Nissl | D12/209 |
| D649,500 S | * 11/2011 | Baum | D12/209 |
| D651,961 S | * 1/2012 | Ectors et al. | D12/211 |

FOREIGN PATENT DOCUMENTS

| | | |
|----|----------------|---------|
| EM | 000010442-0009 | 7/2003 |
| EM | 000065966-0004 | 9/2004 |
| EM | 000825609-0003 | 11/2009 |
| EM | 001636978-0020 | 11/2009 |
| EM | 001598277-0002 | 1/2010 |
| EM | 001598277-0010 | 1/2010 |
| EM | 001684507-0005 | 10/2010 |

* cited by examiner

Primary Examiner — Stacia Cadmus

(74) *Attorney, Agent, or Firm* — Crowell & Moring LLP

(57) **CLAIM**

The ornamental design for a wheel or wheel cover, as shown and described.

DESCRIPTION

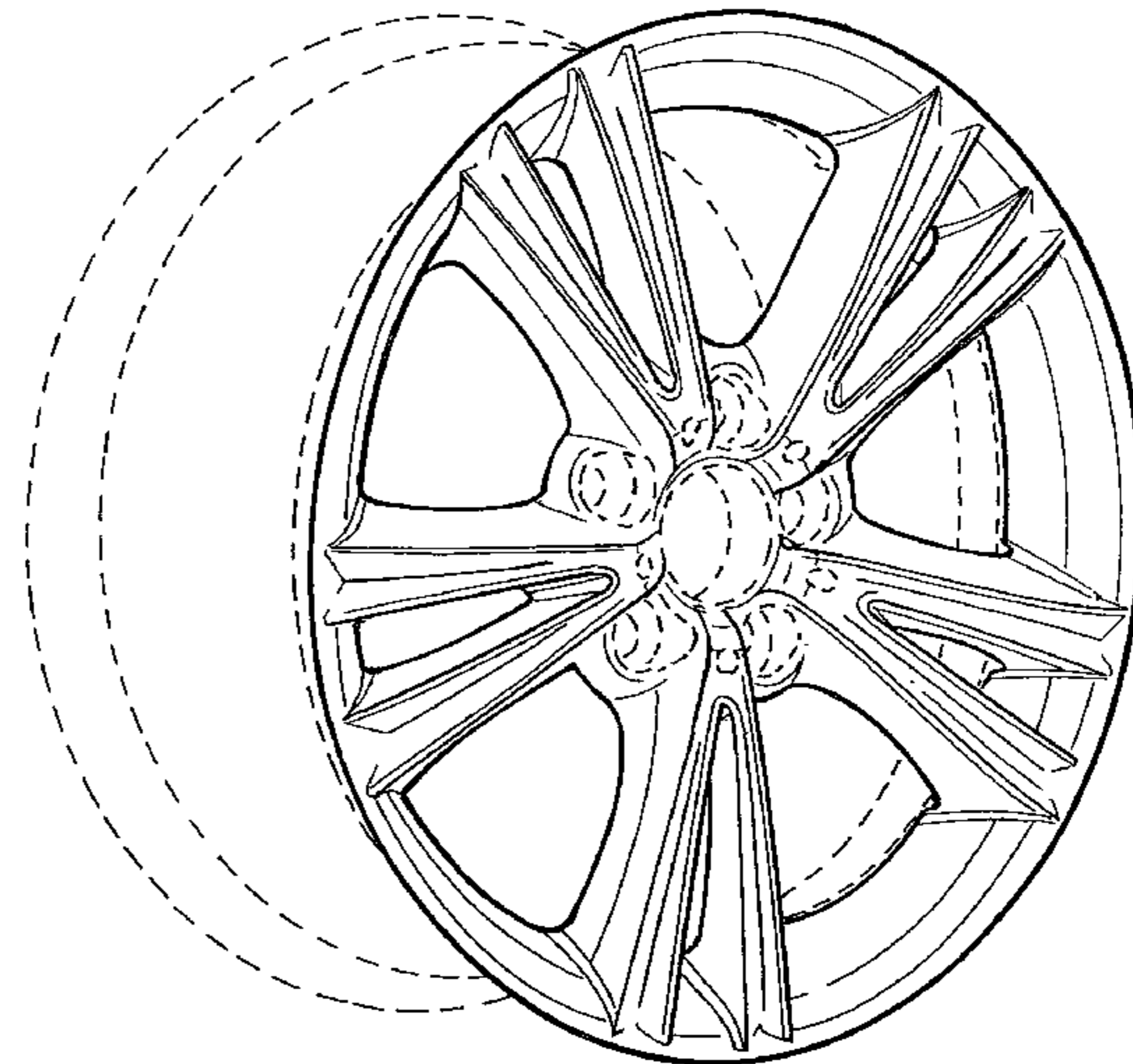
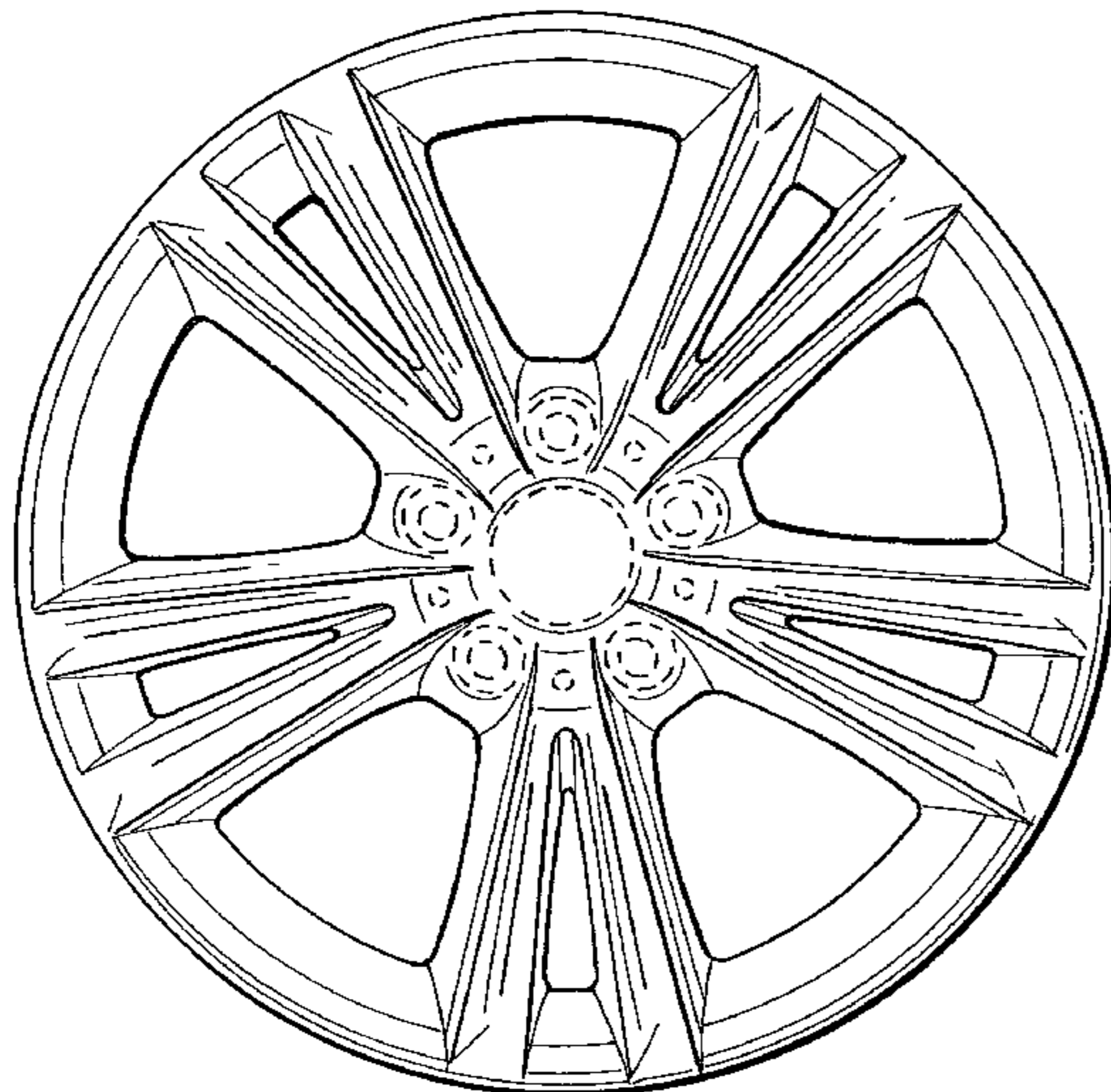
This application is related to co-pending application Ser. No. 29/347,270, filed Nov. 19, 2009 and entitled Wheel or Wheel Cover.

FIG. 1 is a front view of a wheel or wheel cover according to my design; and,

FIG. 2 is a perspective view thereof.

The broken line showing of the rear of the wheel, and the bolt holes and the center opening in the central hub area is included for the purpose of illustrating environment and forms no part of the claimed design.

1 Claim, 1 Drawing Sheet



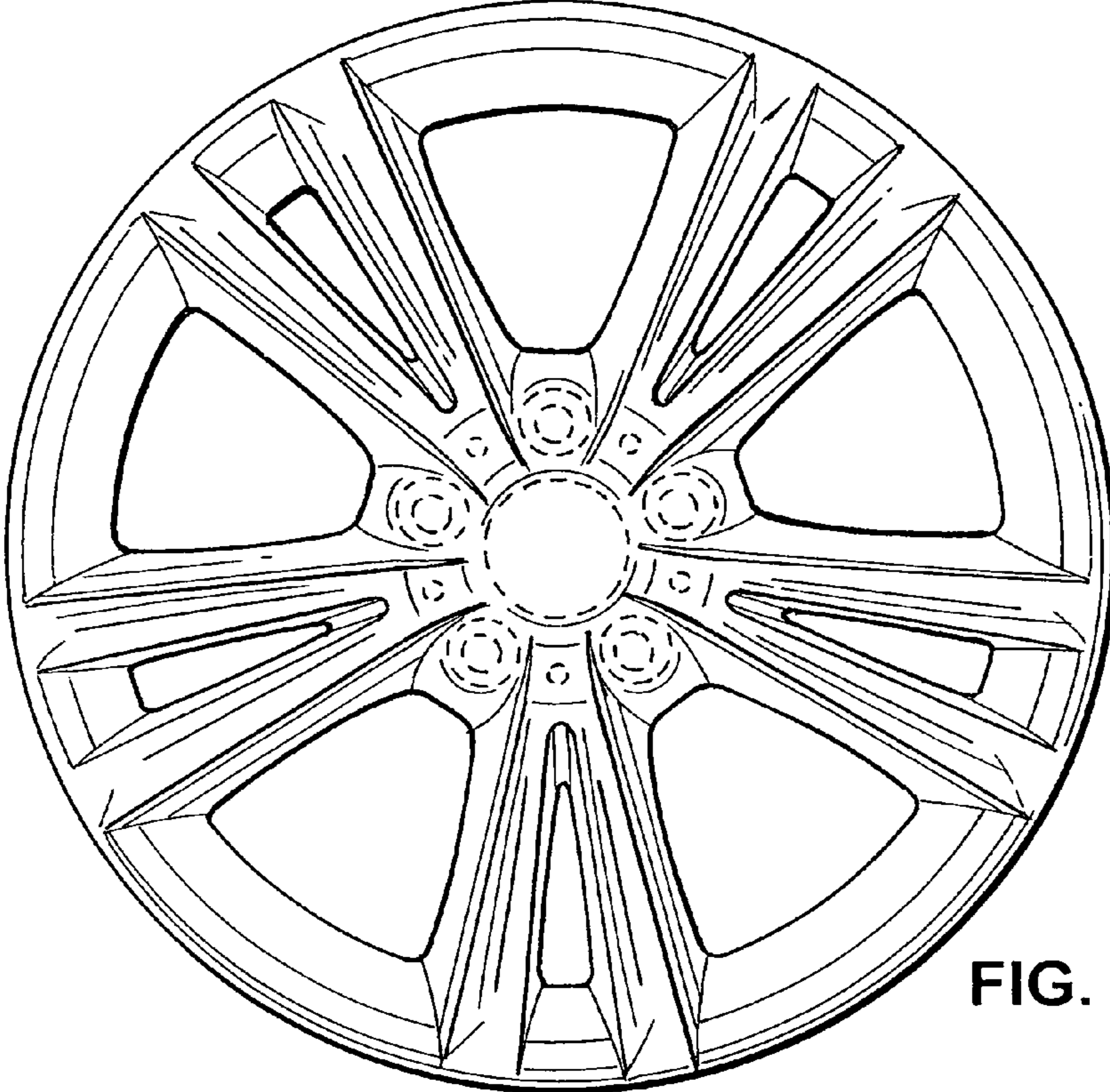


FIG. 1

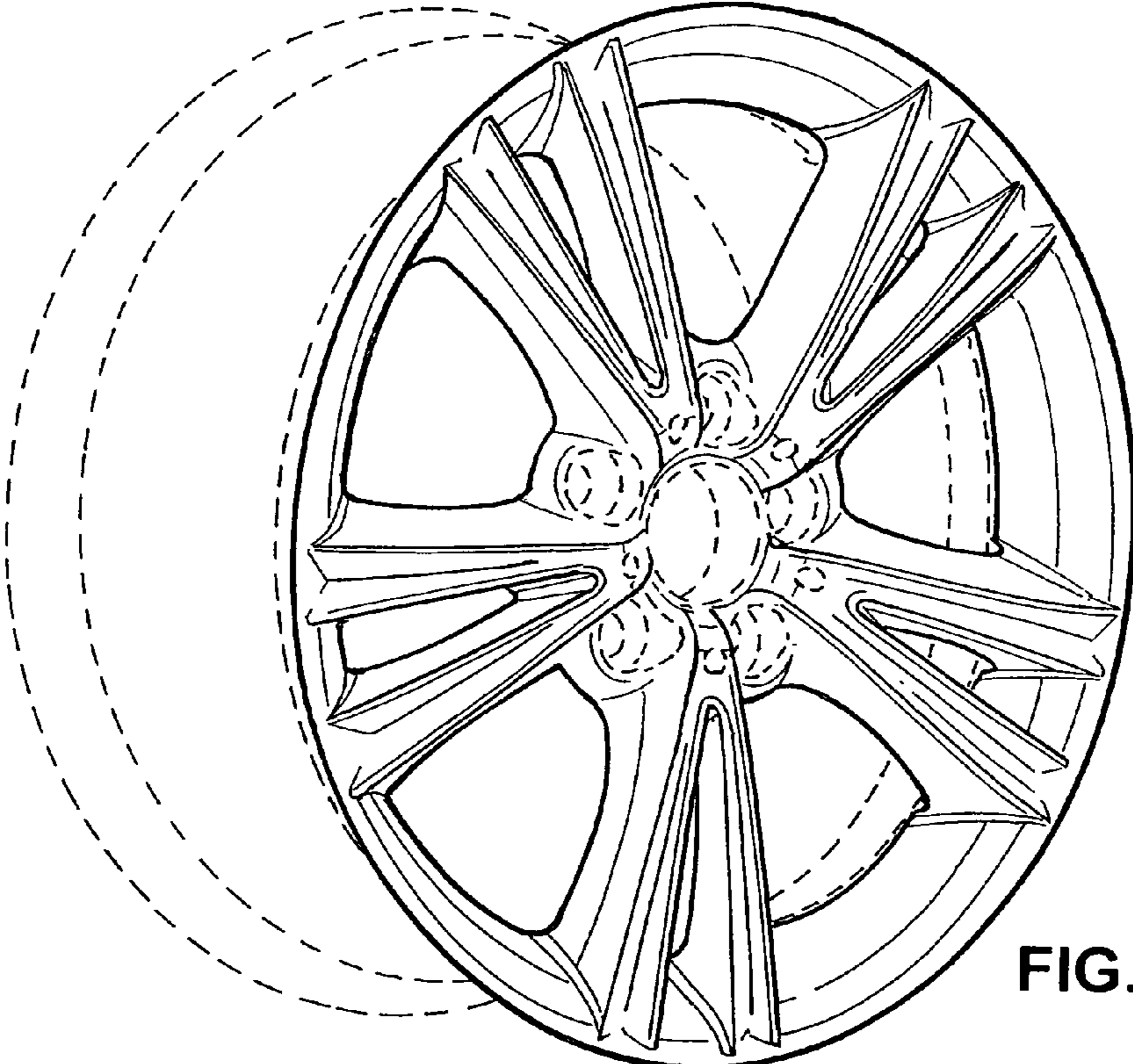


FIG. 2