



US00D660764S

(12) **United States Design Patent**
Chan

(10) **Patent No.:** **US D660,764 S**

(45) **Date of Patent:** **** May 29, 2012**

(54) **VEHICLE WHEEL**

(75) Inventor: **Albert Tam-san Chan**, Kowloon (HK)

(73) Assignee: **MCW Limited**, Hong Kong (HK)

(**) Term: **14 Years**

(21) Appl. No.: **29/394,136**

(22) Filed: **Jun. 14, 2011**

(30) **Foreign Application Priority Data**

Dec. 14, 2010 (CN) 2010 3 0704006

(51) **LOC (9) Cl.** **12-16**

(52) **U.S. Cl.** **D12/209**

(58) **Field of Classification Search** D12/204-213;
301/37.101, 64.101, 65, 64.201

See application file for complete search history.

(56) **References Cited**

U.S. PATENT DOCUMENTS

D469,729 S *	2/2003	Brintouch	D12/209
D506,965 S *	7/2005	Kataoka	D12/209
D537,400 S *	2/2007	Sands	D12/209
D539,721 S *	4/2007	Ettensberger	D12/209
D544,427 S *	6/2007	Pfeiffer	D12/211

D593,022 S *	5/2009	Forster et al.	D12/211
D596,551 S *	7/2009	Futschik et al.	D12/211
D604,684 S *	11/2009	Spoerle	D12/211
D630,144 S *	1/2011	Chung	D12/209

* cited by examiner

Primary Examiner — Stacia Cadmus

(74) *Attorney, Agent, or Firm* — Law Office of Sergei Orel, LLC

(57) **CLAIM**

I claim the ornamental design for a vehicle wheel, as shown and described.

DESCRIPTION

FIG. 1 is a top view of the vehicle wheel showing my new design;

FIG. 2 is a front view thereof;

FIG. 3 is a rear view thereof;

FIG. 4 is a bottom view thereof;

FIG. 5 is a side view thereof;

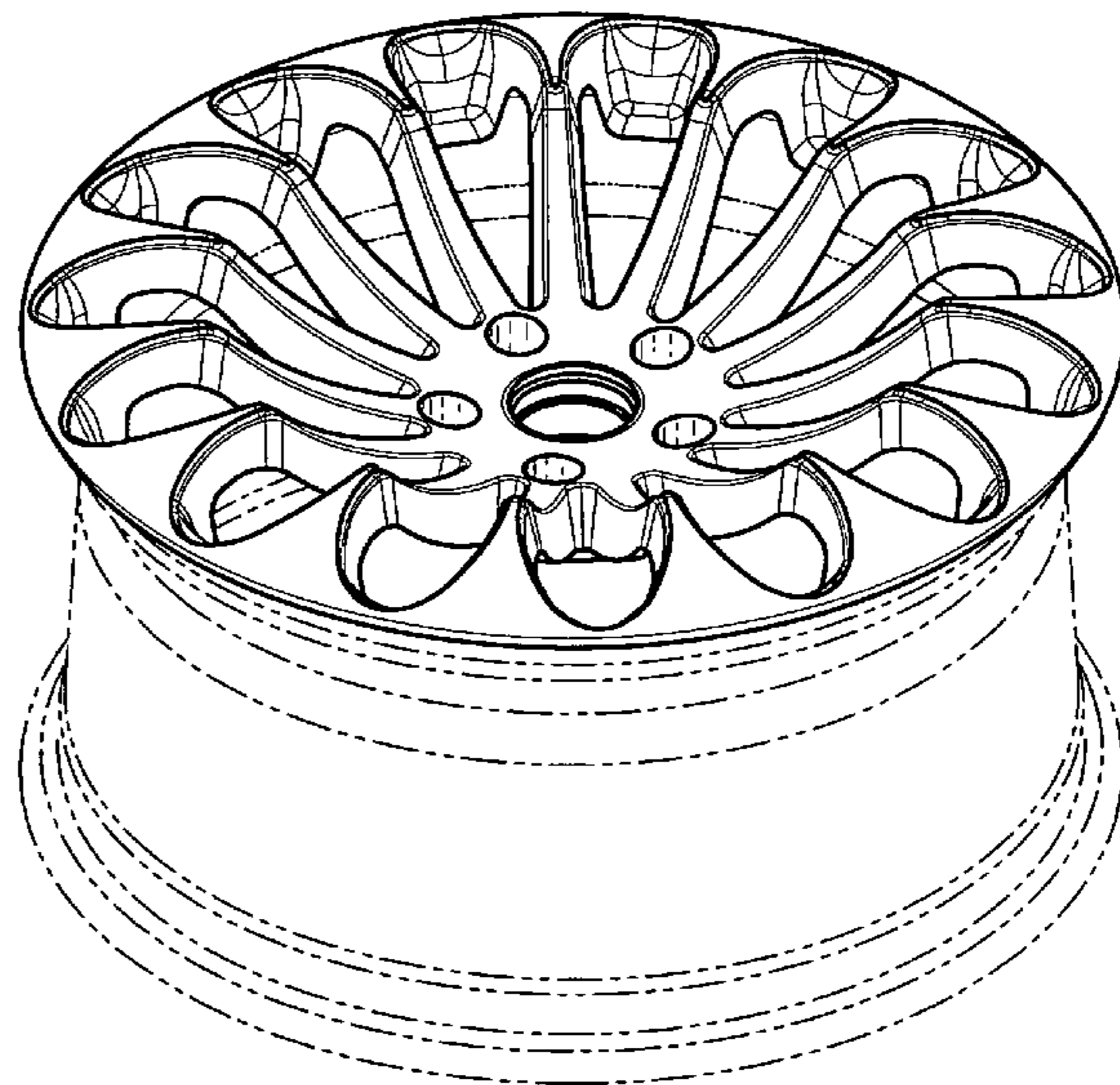
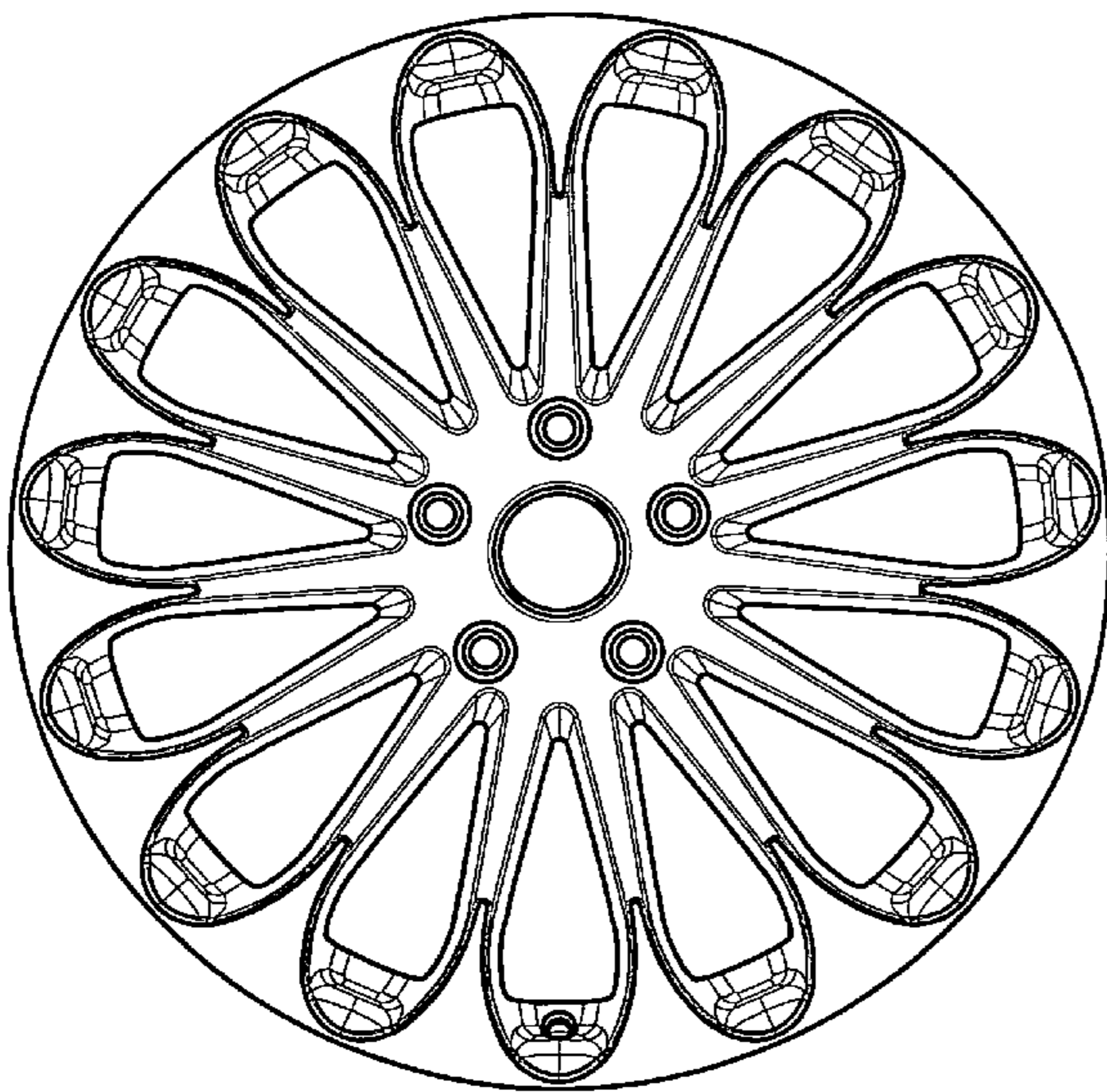
FIG. 6 is an opposite side view thereof;

FIG. 7 is a front perspective view thereof; and,

FIG. 8 is an rear perspective view thereof.

The broken line showing of the rim is included for the purpose of illustrating environment and forms no part of the claimed design.

1 Claim, 5 Drawing Sheets



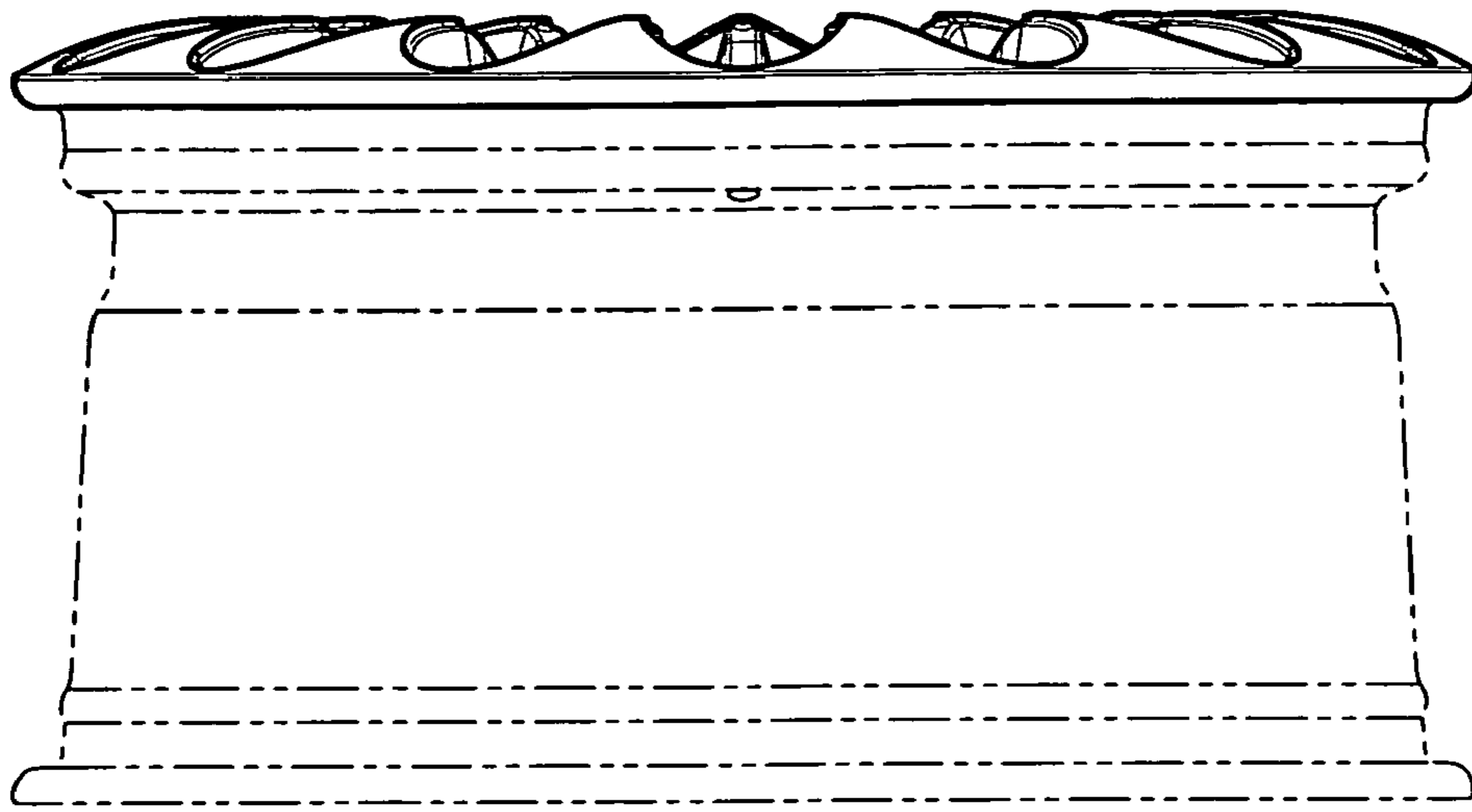


Fig.1

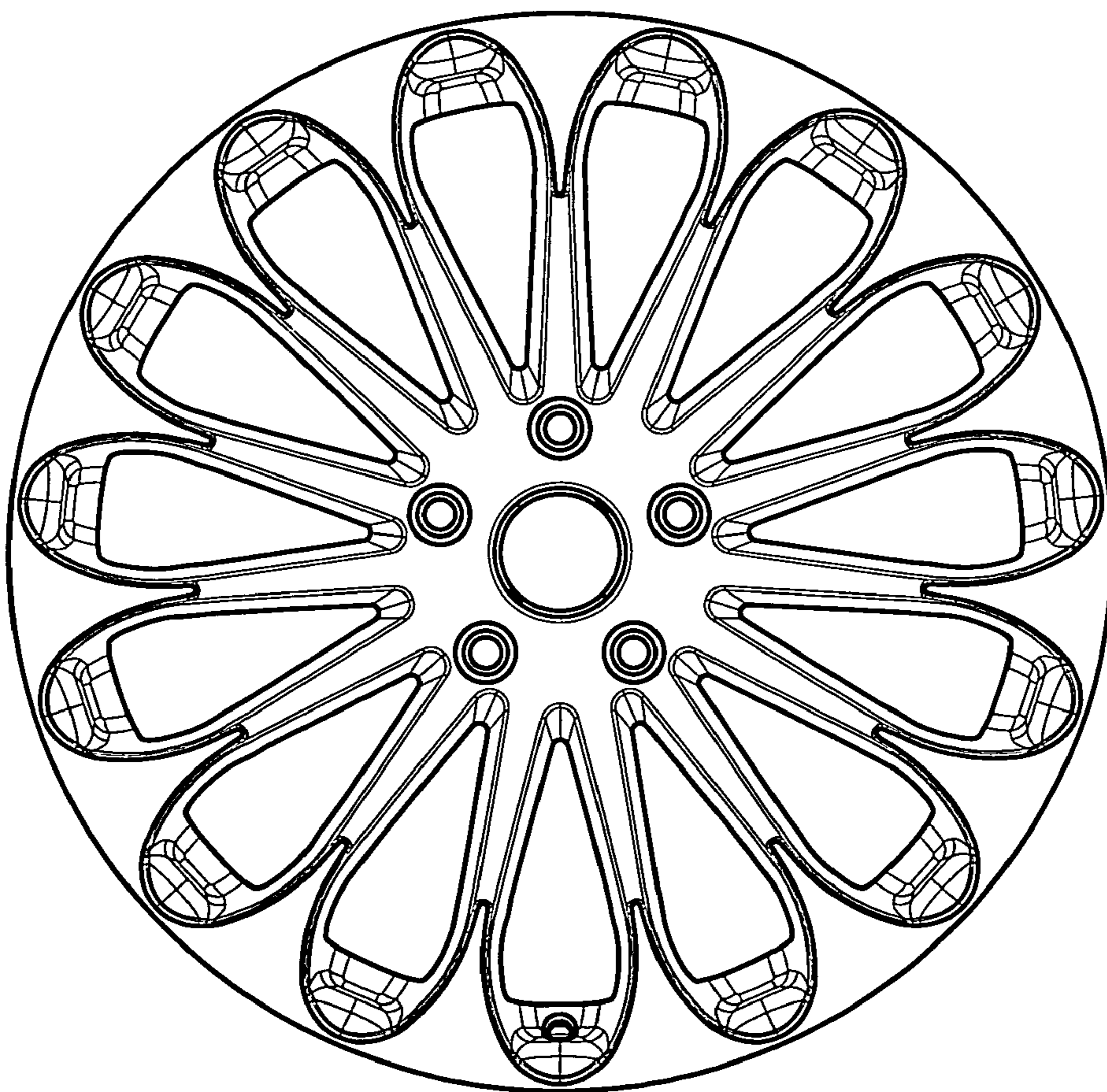


Fig.2

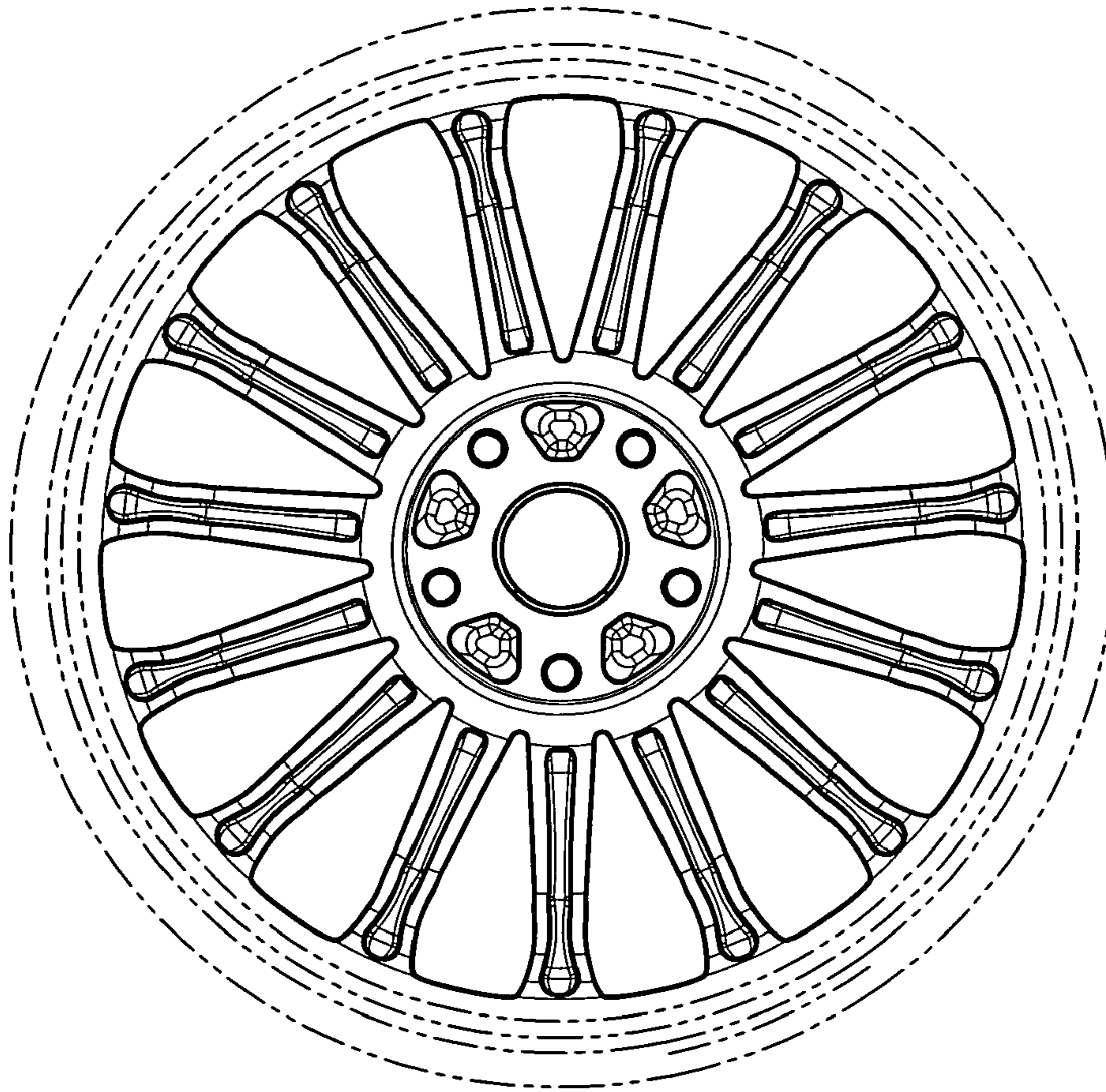


Fig.3

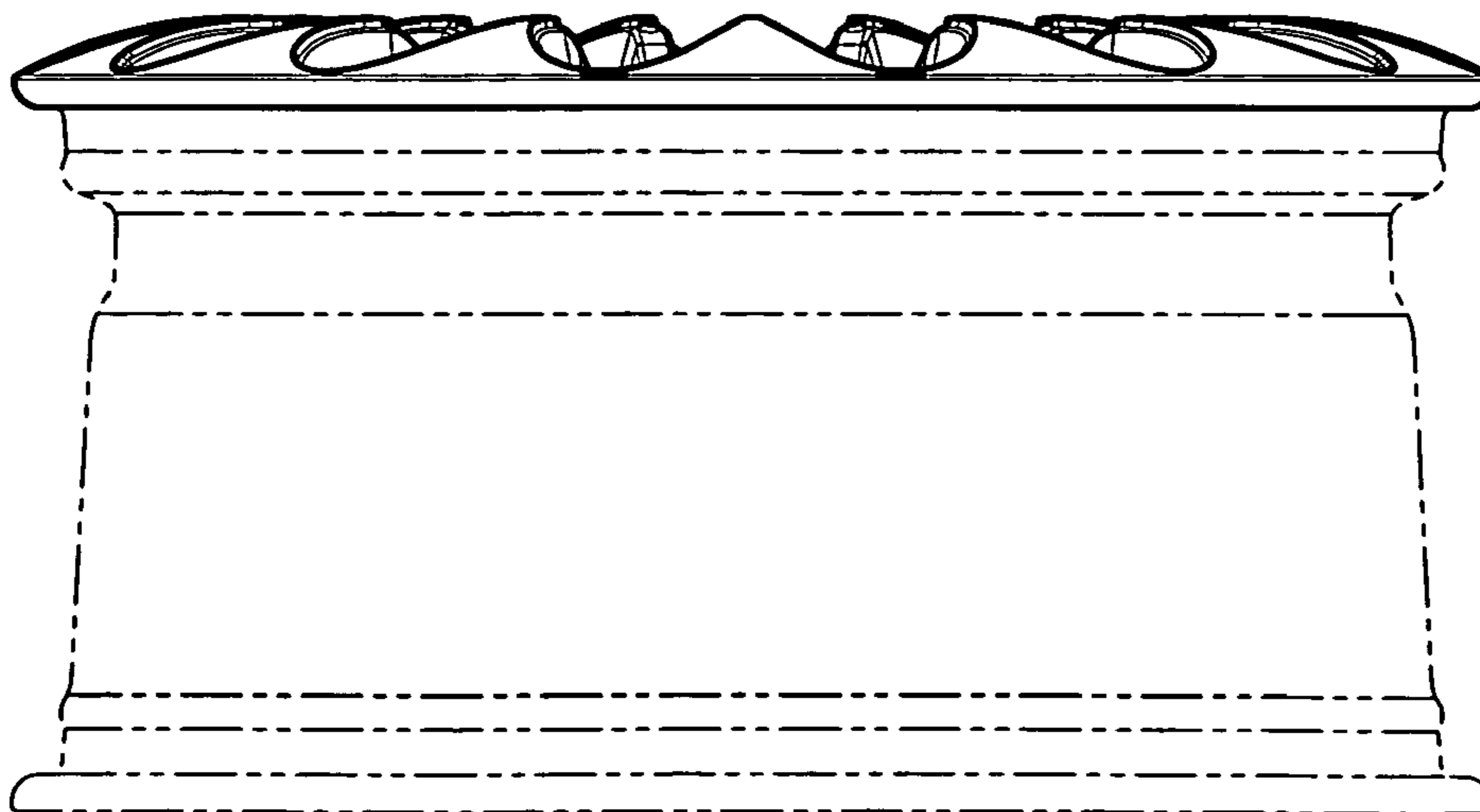


Fig.4

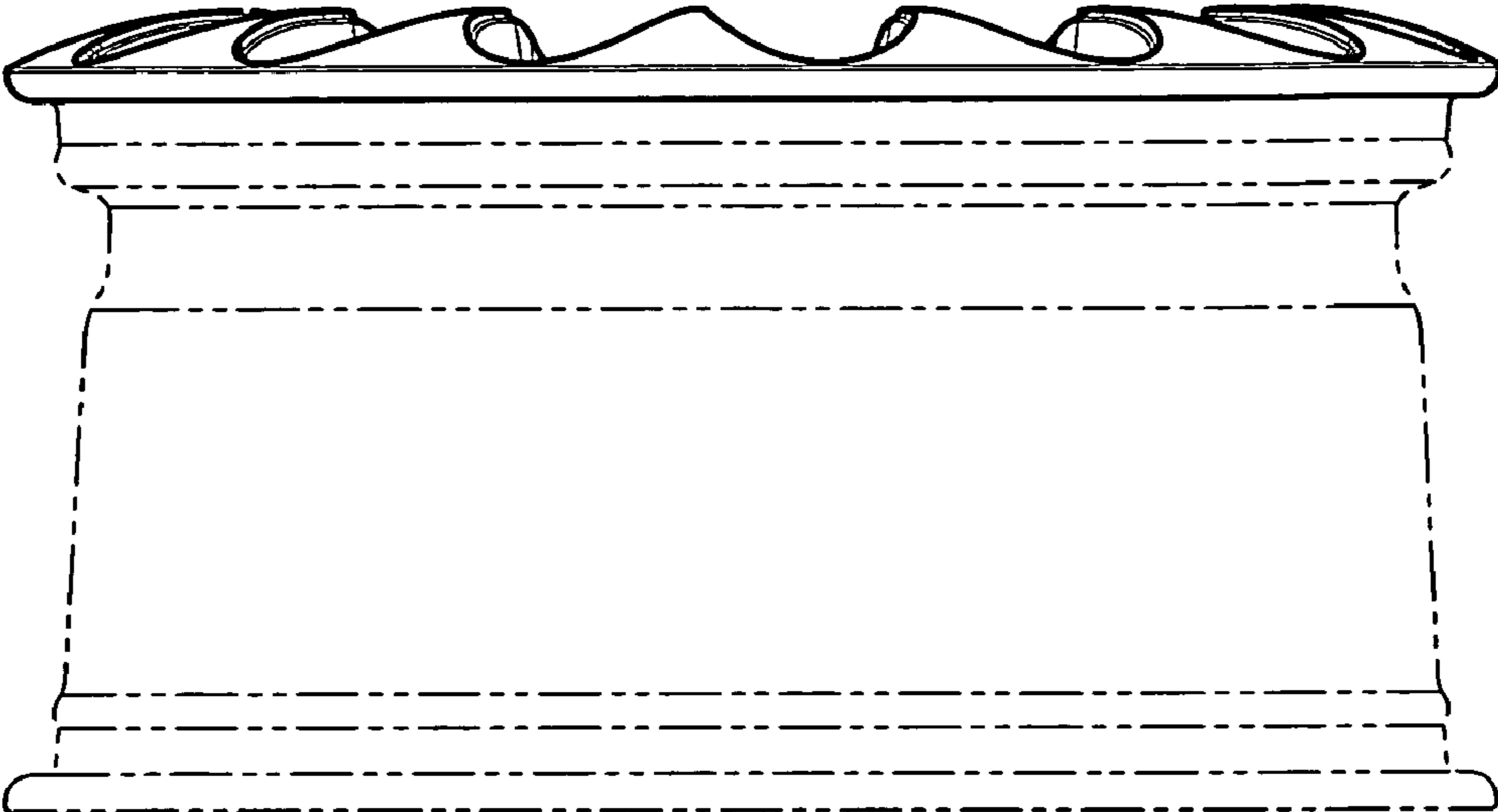


Fig.5

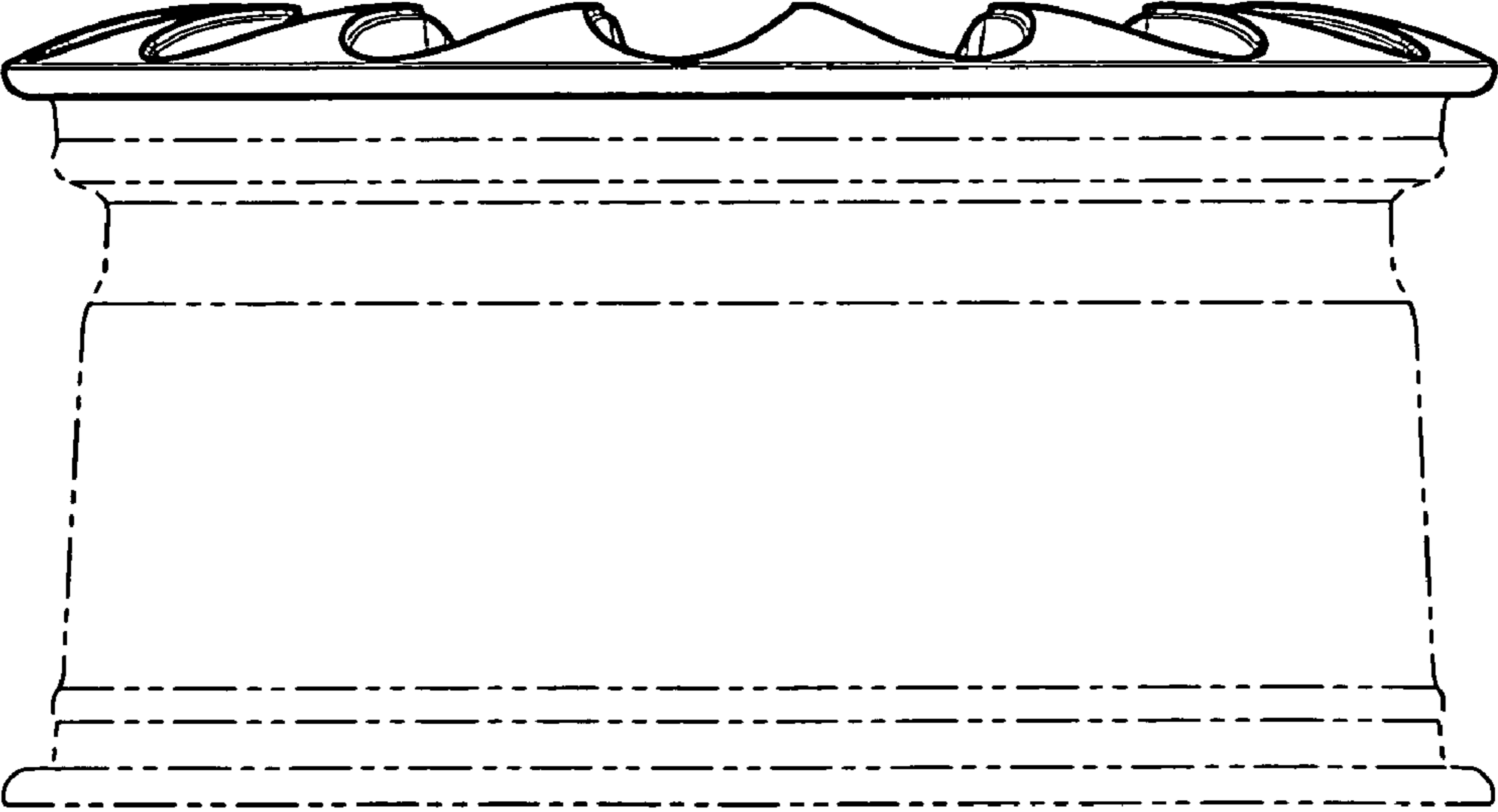


Fig.6

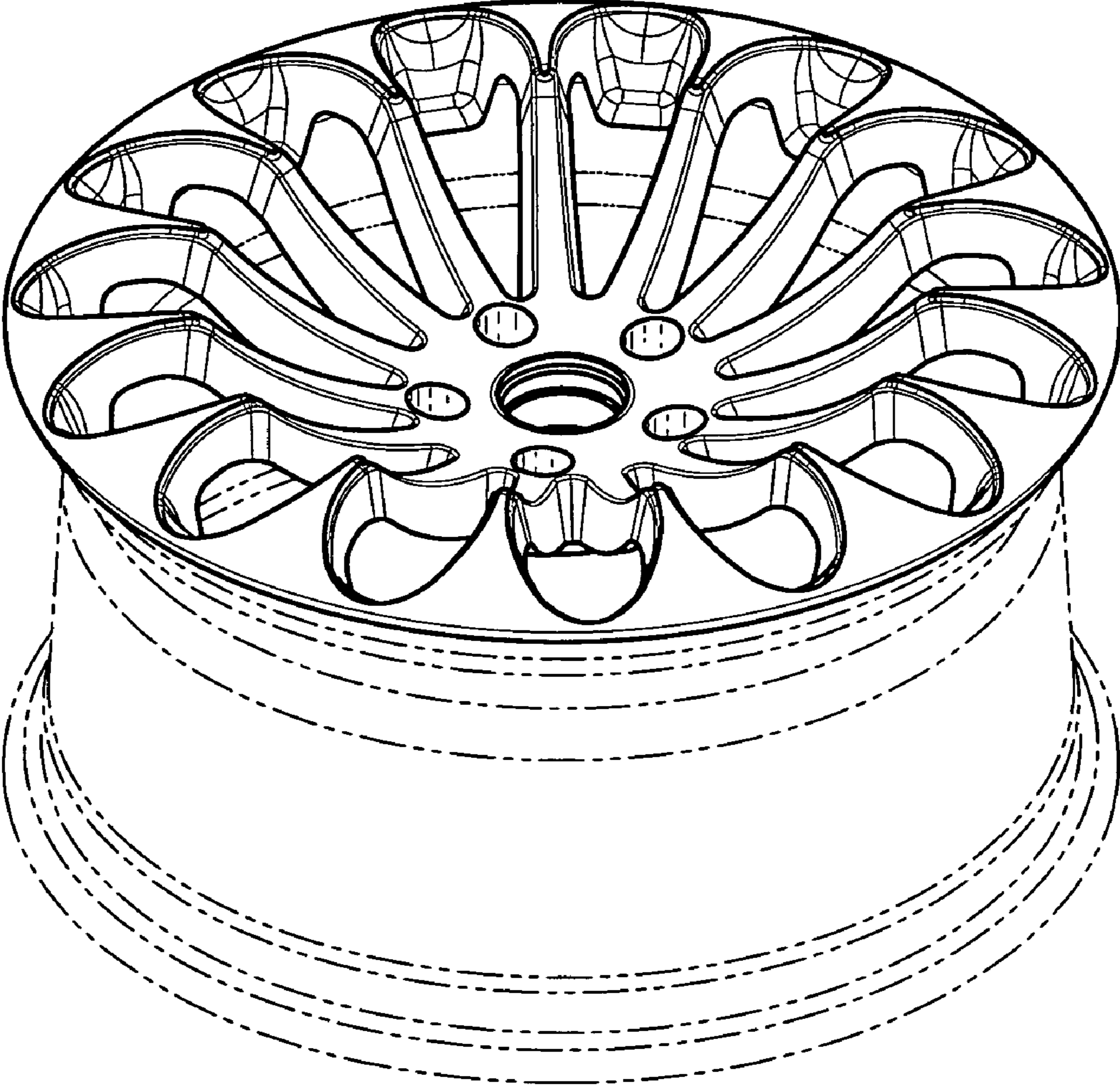


Fig.7

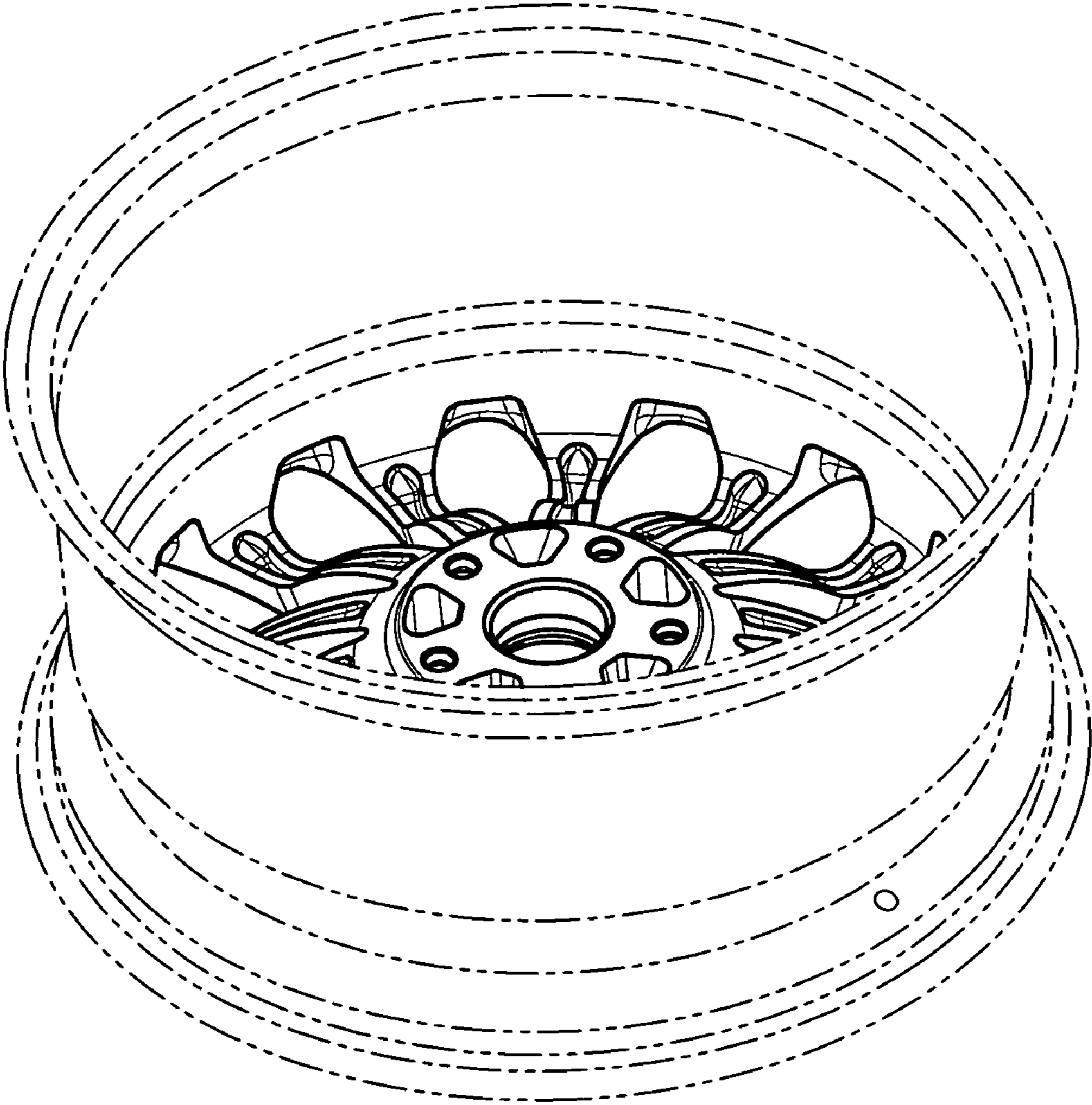


Fig.8