

US00D660761S

(12) **United States Design Patent**
Kerr

(10) **Patent No.:** **US D660,761 S**

(45) **Date of Patent:** **** May 29, 2012**

(54) **STEP FOR A BUS**

(75) **Inventor:** **Andrew Kerr**, Winnipeg (CA)

(73) **Assignee:** **New Flyer Industries ULC**, Winnipeg (CA)

(**) **Term:** **14 Years**

(21) **Appl. No.:** **29/365,302**

(22) **Filed:** **Jul. 7, 2010**

(51) **LOC (9) Cl.** **12-16**

(52) **U.S. Cl.** **D12/203**

(58) **Field of Classification Search** D12/203,
D12/93-99, 196, 400; D25/62, 63, 69, 65;
182/90, 92, 150, 96, 127, 88; 280/163, 165,
280/164.1, 164.2, 166; 296/62, 57.1; 293/117;
105/430, 487, 449; D15/28; D26/28
See application file for complete search history.

(56) **References Cited**

U.S. PATENT DOCUMENTS

D229,045 S	*	11/1973	Woodall	D12/203
D488,572 S	*	4/2004	Warren	D26/28
D556,345 S	*	11/2007	Desjoyaux et al.	D25/63
D570,253 S	*	6/2008	Cunagin et al.	D12/96
D607,395 S	*	1/2010	Beigel et al.	D12/203

OTHER PUBLICATIONS

Photographs of "Volgabus" dated Oct. 20, 2007.
"Proterra Coach"—San Diego APTA Show, Oct. 2008.

* cited by examiner

Primary Examiner — Stacia Cadmus

(74) *Attorney, Agent, or Firm* — Norton Rose Canada LLP

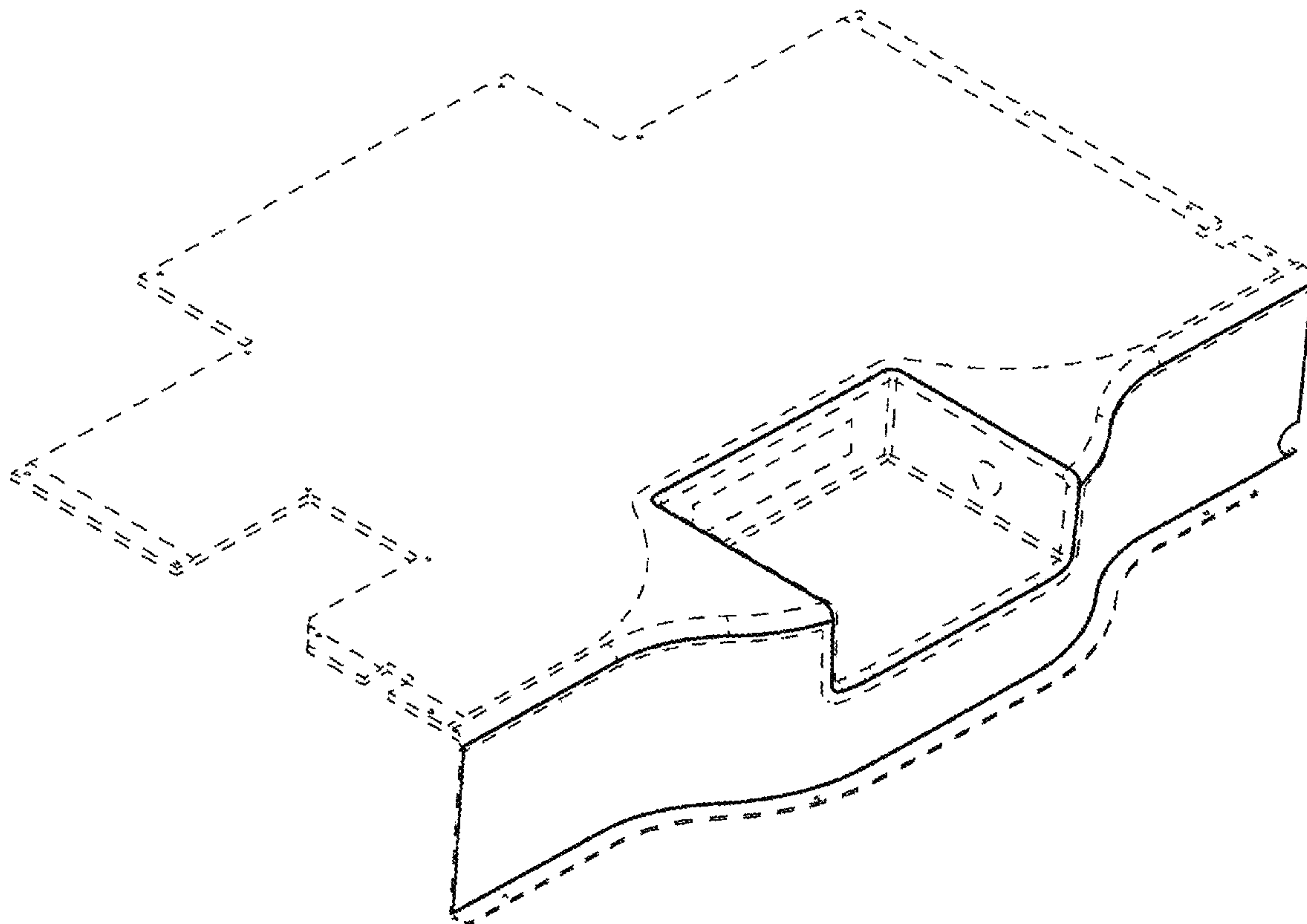
(57) **CLAIM**

I claim the ornamental design for a step for a bus, as shown and described.

DESCRIPTION

FIG. 1 is an isometric view of a step for a bus;
FIG. 2 is a front view of the step of FIG. 1;
FIG. 3 is a side view of the step of FIG. 1;
FIG. 4 is rear view of the step of FIG. 1; and,
FIG. 5 is a top view of the step of FIG. 1.
Views not shown in the Figures are either not part of the claimed design or are mirror images of those shown.
Broken lines are for illustrative purposes only and form no part of the design.

1 Claim, 5 Drawing Sheets



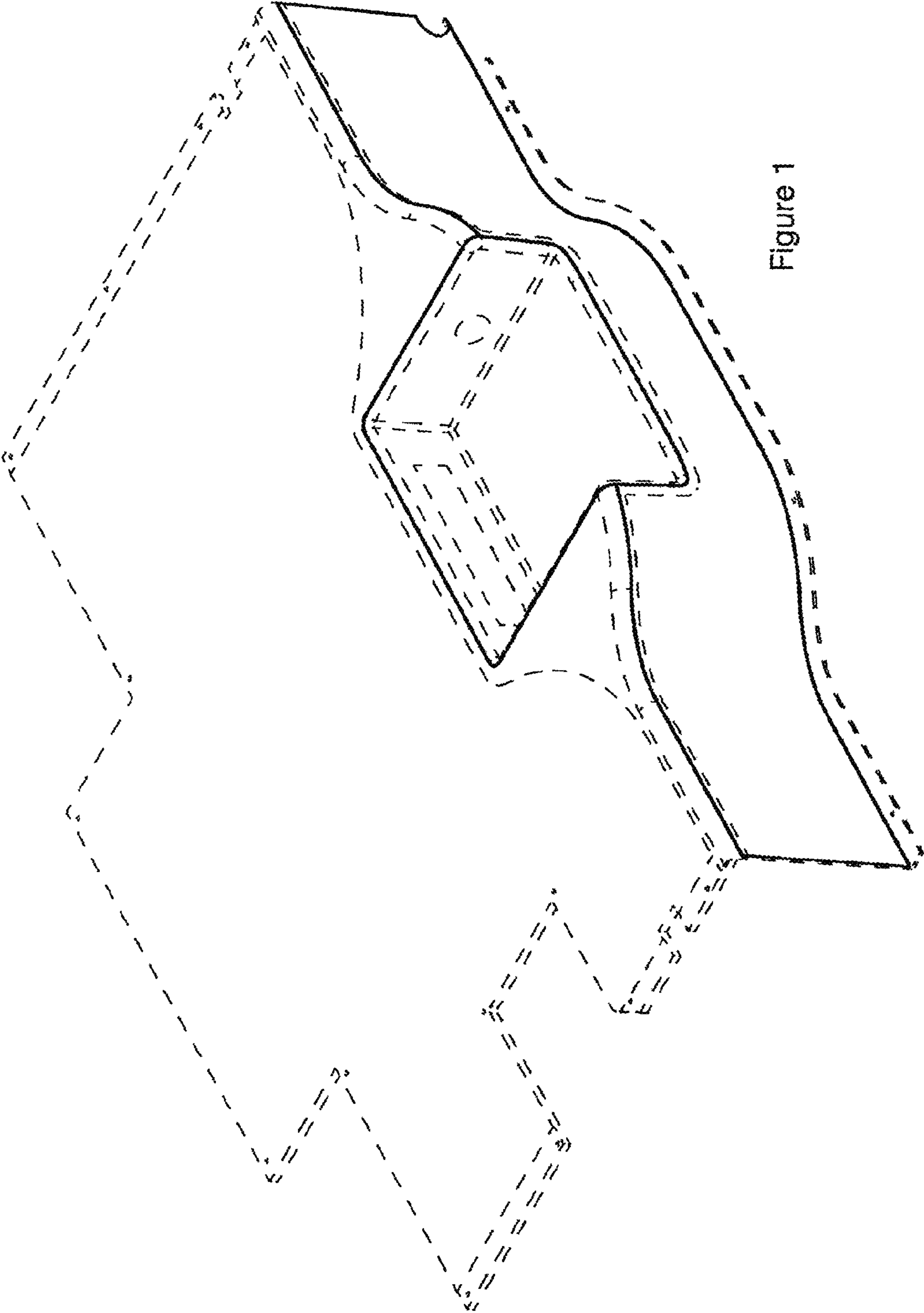


Figure 1

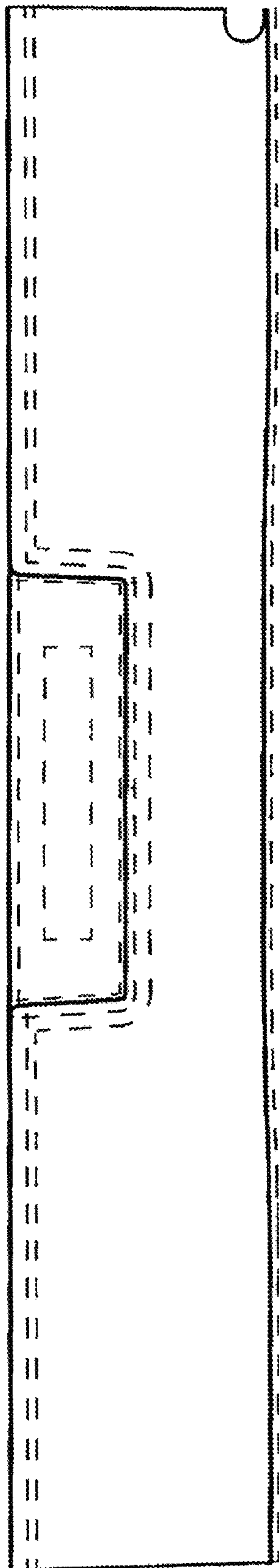


Figure 2

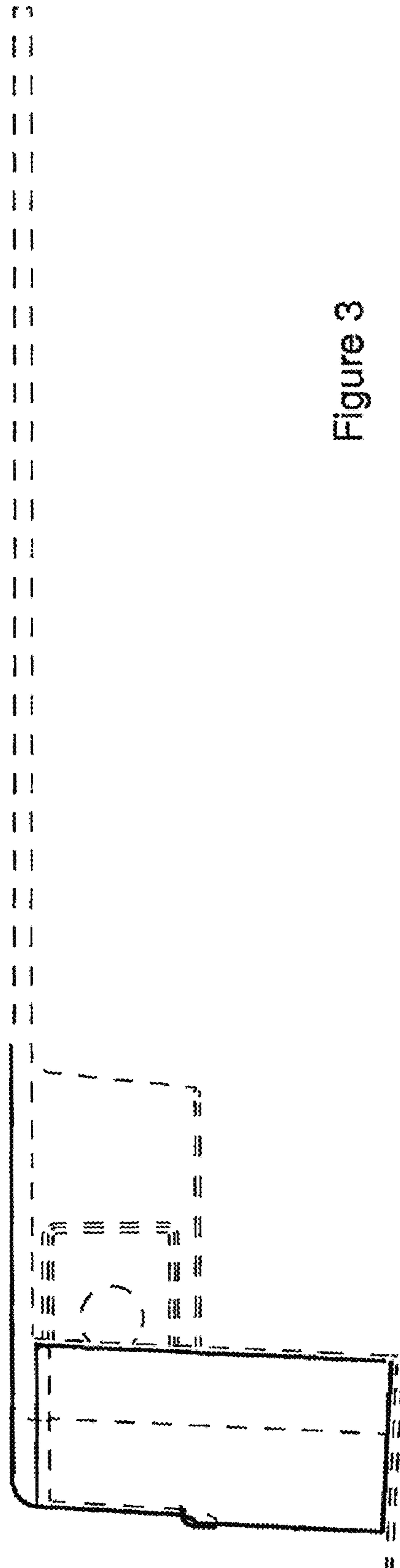


Figure 3

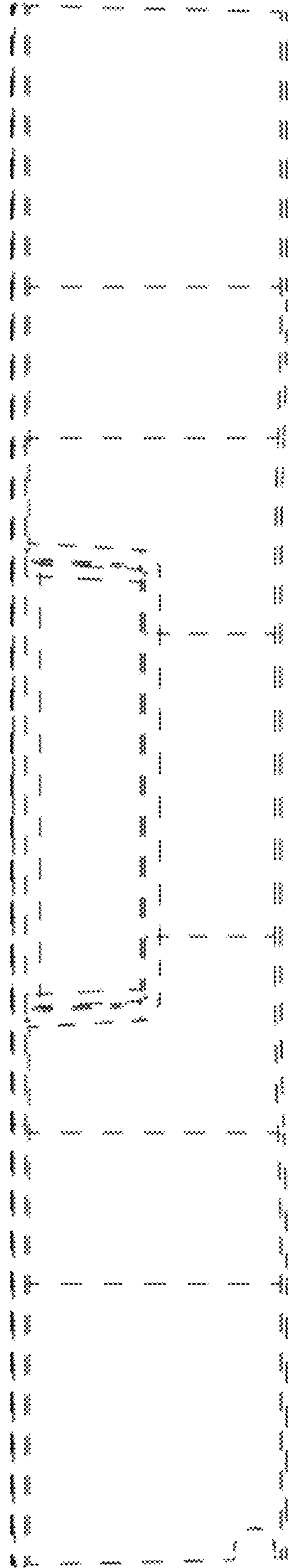


Figure 4

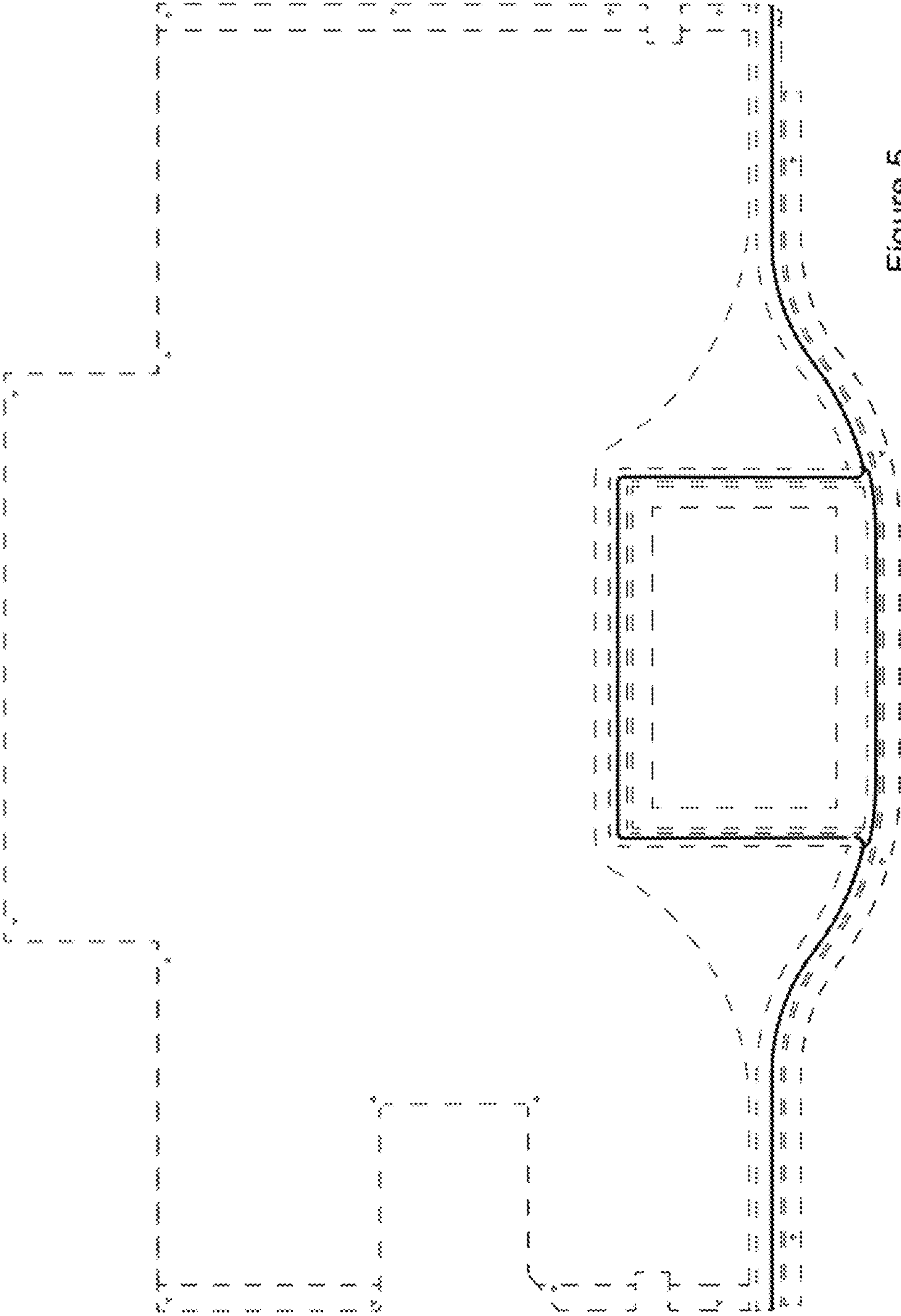


Figure 5