

US00D660757S

(12) **United States Design Patent**
Kubo et al.

(10) **Patent No.:** **US D660,757 S**

(45) **Date of Patent:** **** May 29, 2012**

(54) **BODY PANEL FOR AN AUTOMOBILE**

(75) Inventors: **Kosuke Kubo**, Toyota (JP); **Mineo Imaiida**, Kariya (JP)

(73) Assignee: **Toyota Jidosha Kabushiki Kaisha**, Toyota-shi (JP)

(**) Term: **14 Years**

(21) Appl. No.: **29/382,696**

(22) Filed: **Jan. 6, 2011**

(51) **LOC (9) Cl.** **12-16**

(52) **U.S. Cl.** **D12/196; D12/184**

(58) **Field of Classification Search** D12/184,
D12/196, 90-92; 280/152.1, 847-849, 851;
296/181.1, 181.5

See application file for complete search history.

(56) **References Cited**

U.S. PATENT DOCUMENTS

D572,182 S *	7/2008	Deane	D12/184
D576,090 S *	9/2008	Zavatski et al.	D12/184
D581,332 S *	11/2008	Song et al.	D12/184
D591,213 S *	4/2009	Woolley et al.	D12/184

D597,459 S *	8/2009	Wagner et al.	D12/184
D598,347 S *	8/2009	Mattin et al.	D12/184
D613,219 S *	4/2010	Elliott et al.	D12/184

* cited by examiner

Primary Examiner — Melody N Brown

(74) *Attorney, Agent, or Firm* — Finnegan, Henderson, Farabow, Garrett & Dunner, LLP

(57) **CLAIM**

The ornamental design for a body panel for an automobile, as shown and described.

DESCRIPTION

FIG. 1 is a front perspective view of a body panel for an automobile of our new design;

FIG. 2 is a rear perspective front view thereof;

FIG. 3 is a front view thereof;

FIG. 4 is a rear view thereof;

FIG. 5 is a left side view thereof;

FIG. 6 is a right side view thereof;

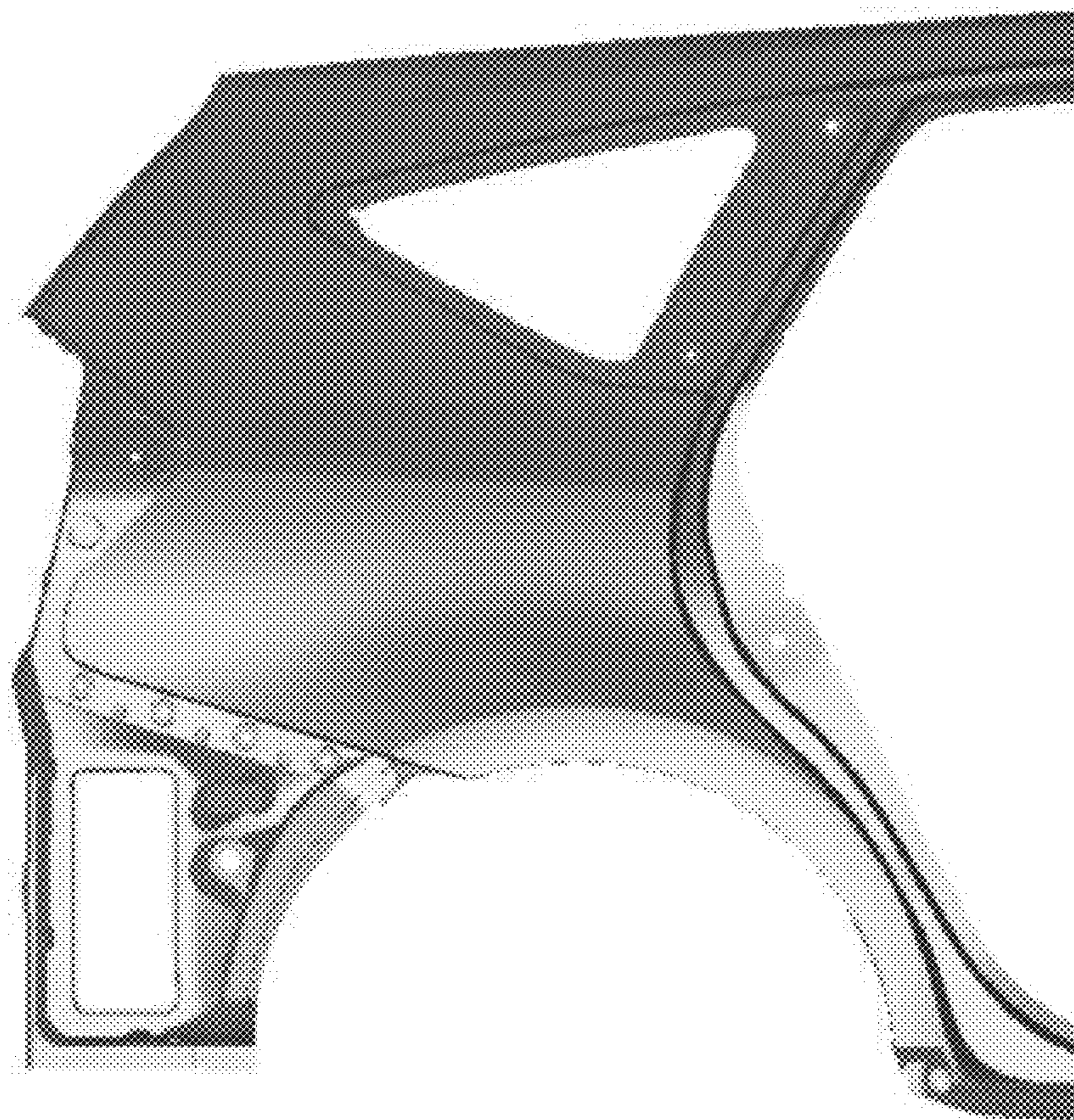
FIG. 7 is a top plan view thereof; and,

FIG. 8 is a bottom view thereof.

Our design includes a mirror image of the embodiment depicted.

We claim:

1 Claim, 6 Drawing Sheets



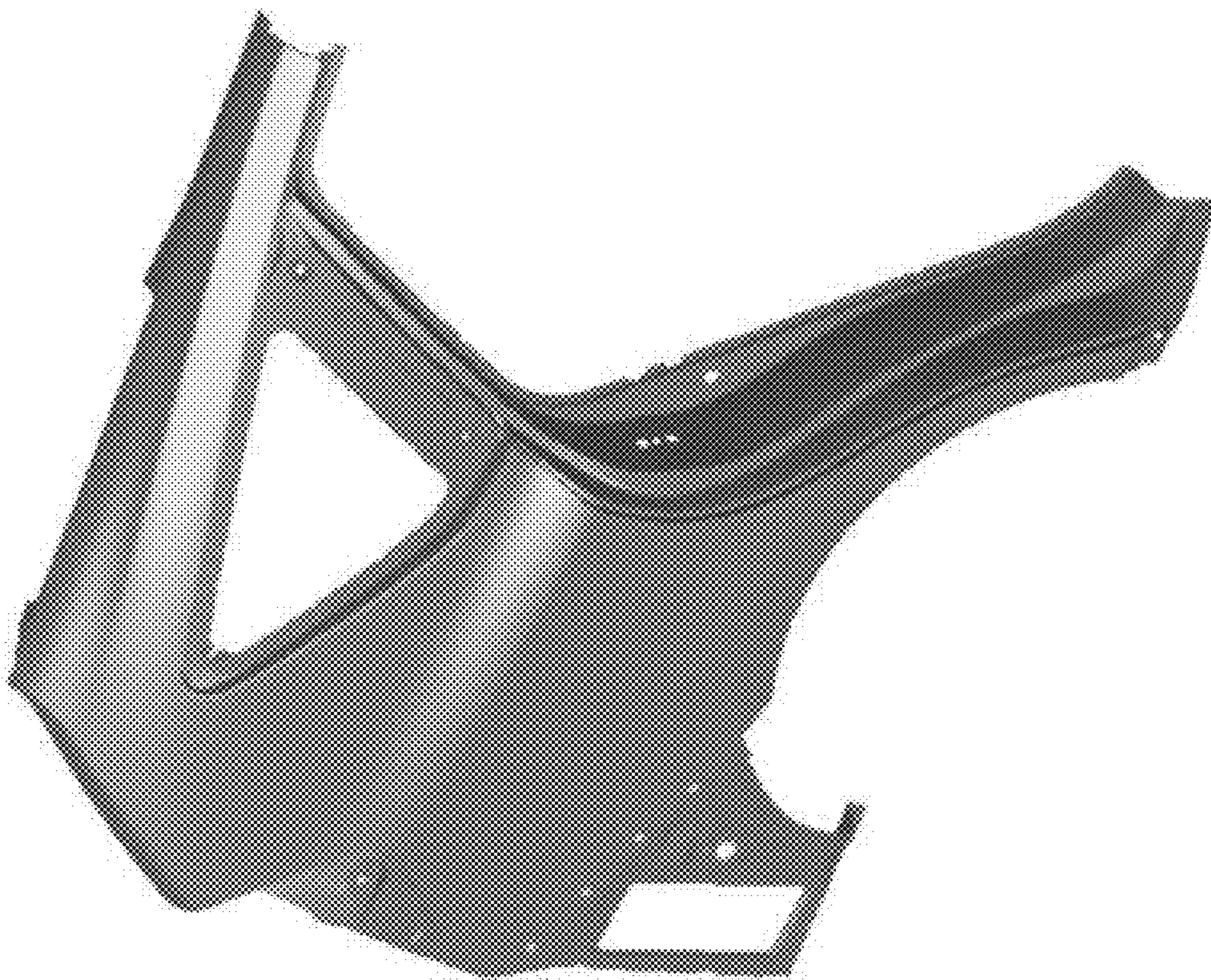


FIG. 1

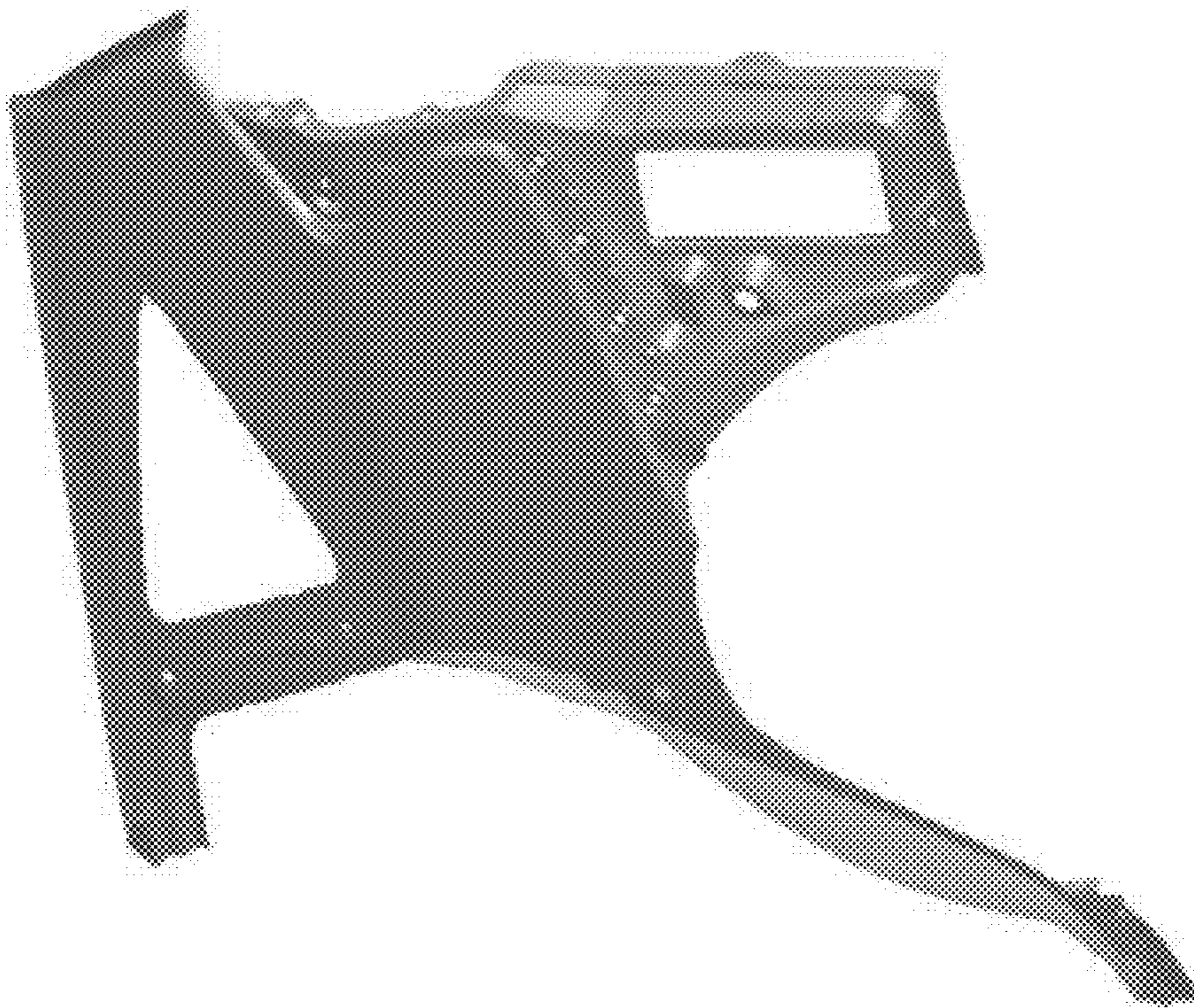


FIG. 2

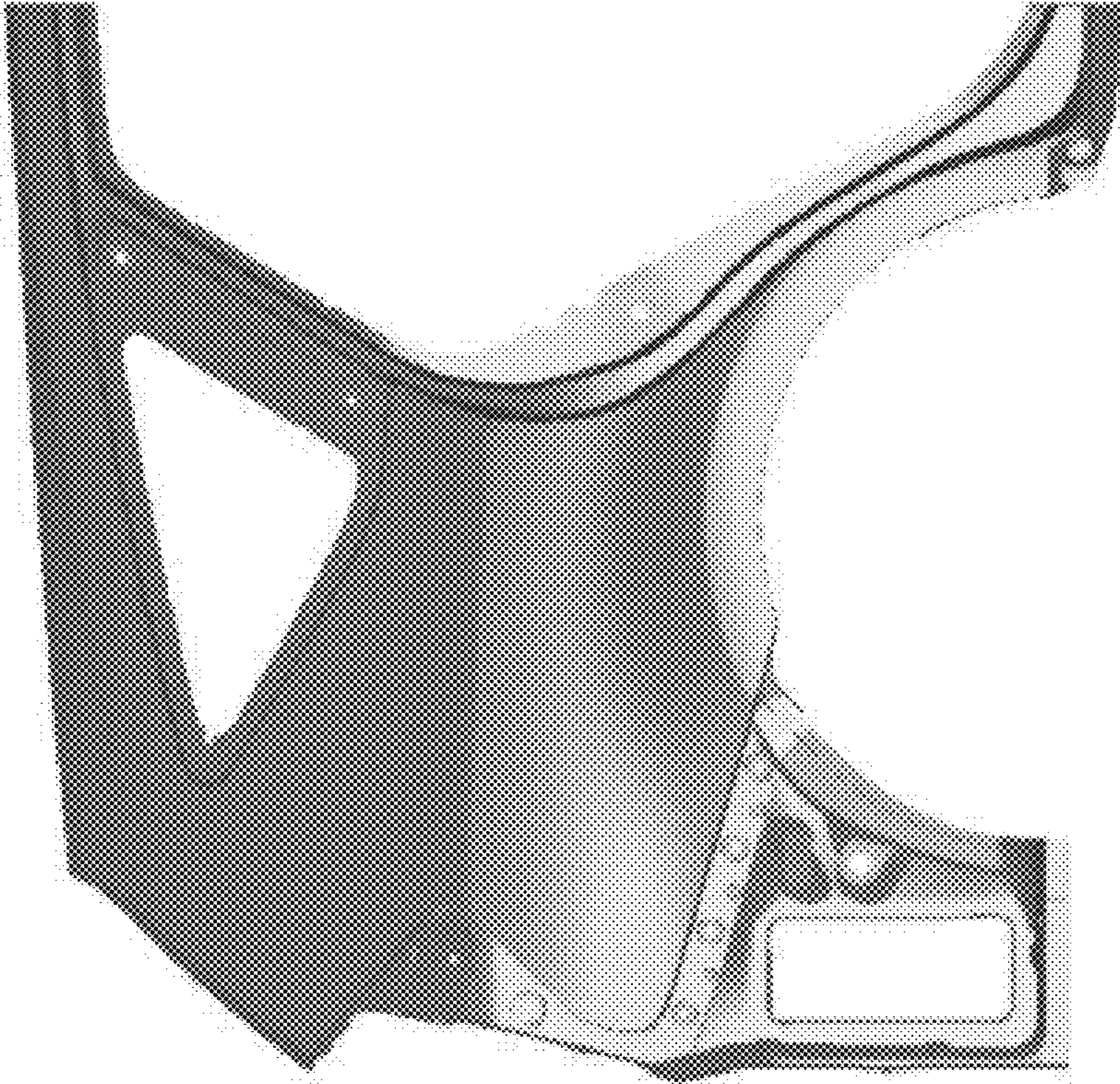


FIG. 3

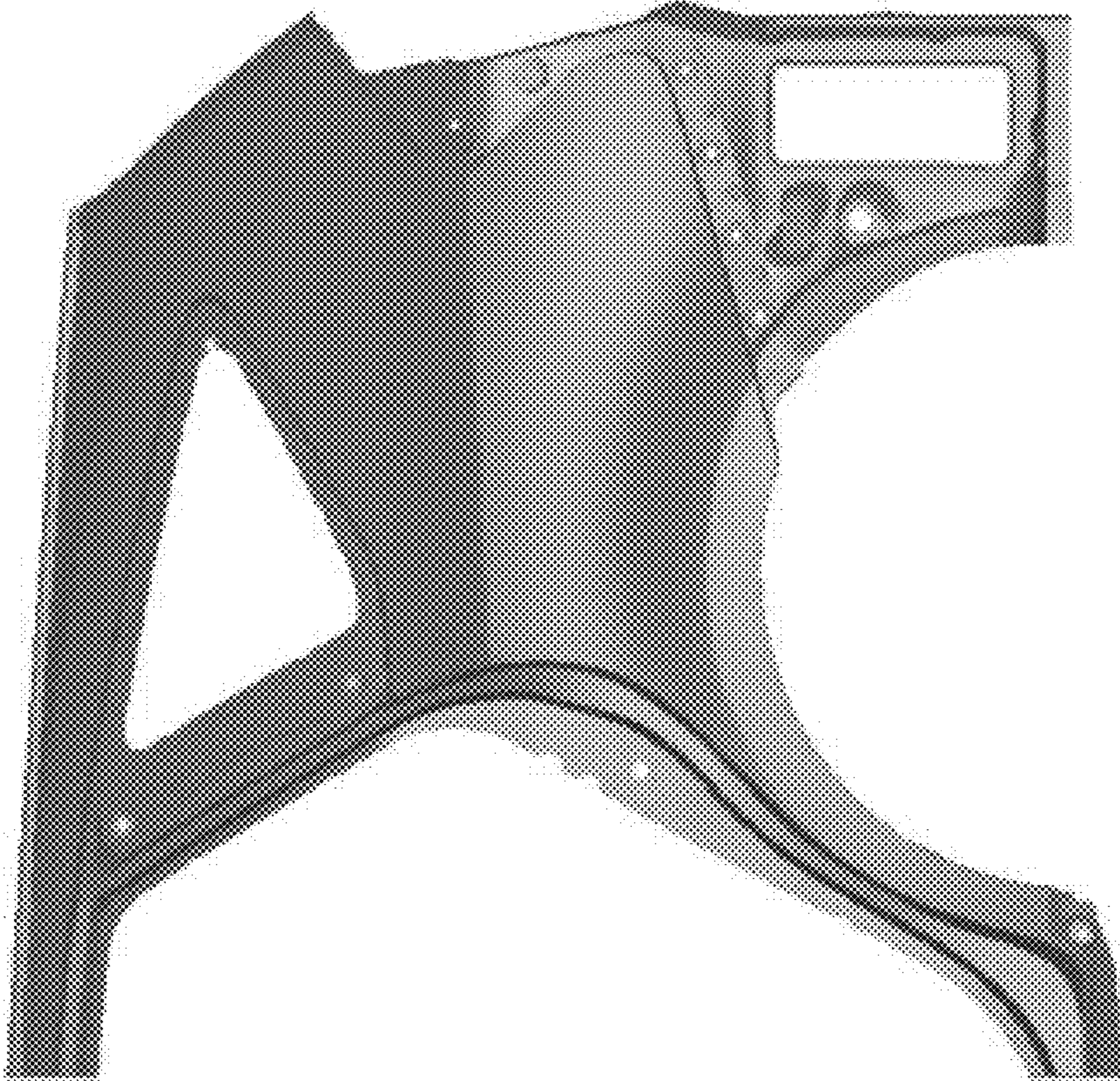


FIG. 4

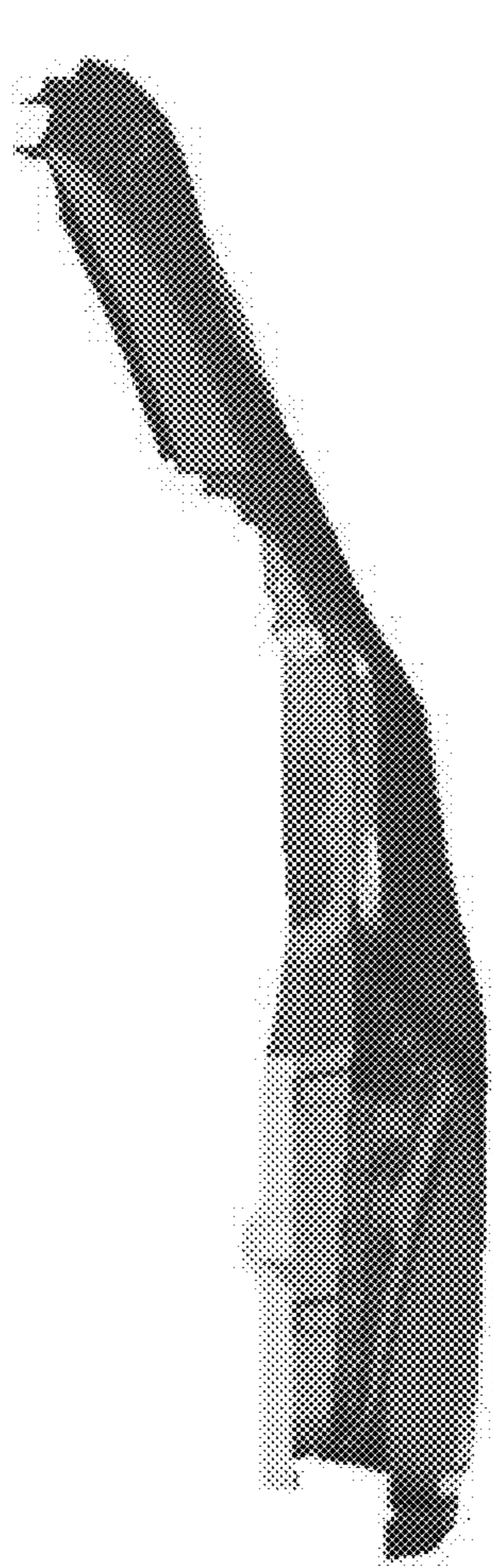


FIG. 5

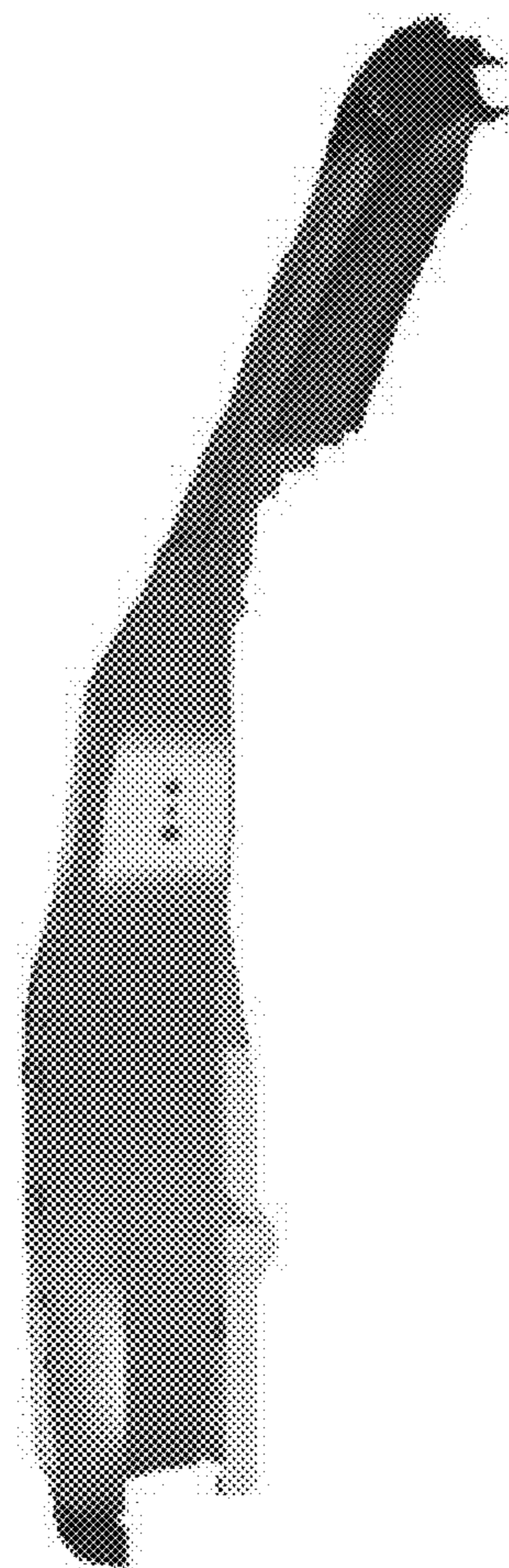


FIG. 6



FIG. 7



FIG. 8