



US00D660753S

(12) **United States Design Patent**
Faghihzadeh

(10) **Patent No.:** **US D660,753 S**

(45) **Date of Patent:** **** May 29, 2012**

(54) **DECORATIVE ELEMENT FOR A VEHICLE**

(75) Inventor: **Nader Faghihzadeh**, Munich (DE)

(73) Assignee: **Bayerische Motoren Werke Aktiengesellschaft**, Munich (DE)

(**) Term: **14 Years**

(21) Appl. No.: **29/371,107**

(22) Filed: **Oct. 21, 2010**

(30) **Foreign Application Priority Data**

Apr. 22, 2010 (DE) 402010002400

(51) **LOC (9) Cl.** **12-08**

(52) **U.S. Cl.** **D12/190**

(58) **Field of Classification Search** D12/190,
D12/400, 90, 91, 92, 199, 197, 86, 171, 169,
D12/163, 110, 114; D11/211, 81, 157, 133,
D11/172; D20/11, 23, 24, 25, 30, 31, 32;
293/102, 115; 40/413, 591, 592; 428/31

See application file for complete search history.

(56) **References Cited**

U.S. PATENT DOCUMENTS

D379,170 S * 5/1997 Moore et al. D12/190
D400,839 S * 11/1998 Moore et al. D12/190
D403,998 S * 1/1999 Hutzl et al. D12/190
D447,459 S * 9/2001 Oh D12/196
D483,298 S 12/2003 van Hooydonk
D540,228 S * 4/2007 Lai D12/190
D545,258 S * 6/2007 Teng et al. D12/190
D566,022 S * 4/2008 Johnson D12/190

D608,262 S * 1/2010 Truebsbach D12/190
D609,149 S * 2/2010 Larson et al. D12/181
D630,143 S * 1/2011 Stahel et al. D12/195
D631,806 S * 2/2011 Schneider D12/190
D631,807 S * 2/2011 Clottu D12/190
D636,712 S * 4/2011 Shymkiw D12/190

FOREIGN PATENT DOCUMENTS

DE 40205448.2 11/2002

* cited by examiner

Primary Examiner — Caron D Veynar

Assistant Examiner — Katrina A Betton

(74) *Attorney, Agent, or Firm* — Crowell & Moring LLP

(57) **CLAIM**

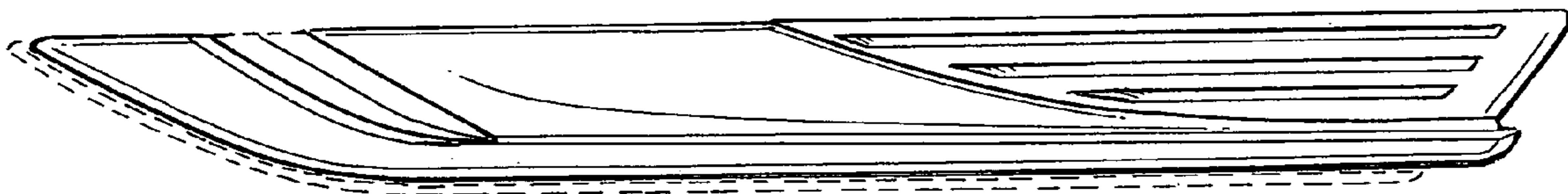
The ornamental design for a decorative element for a vehicle, as shown and described.

DESCRIPTION

FIG. 1 is a left perspective view of a first embodiment of a decorative element for a vehicle according to my design; FIG. 2 is a right perspective view thereof; FIG. 3 is a front view thereof; FIG. 4 is a top view thereof; and FIG. 5 is a bottom view thereof. FIG. 6 is a right perspective view of a second embodiment of the decorative element for a vehicle according to my design; FIG. 7 is a left perspective view thereof; FIG. 8 is a front view thereof; FIG. 9 is a top view thereof; and FIG. 10 is a bottom view thereof.

The broken lines are for illustrative purposes only and form no part of the claimed design.

1 Claim, 4 Drawing Sheets



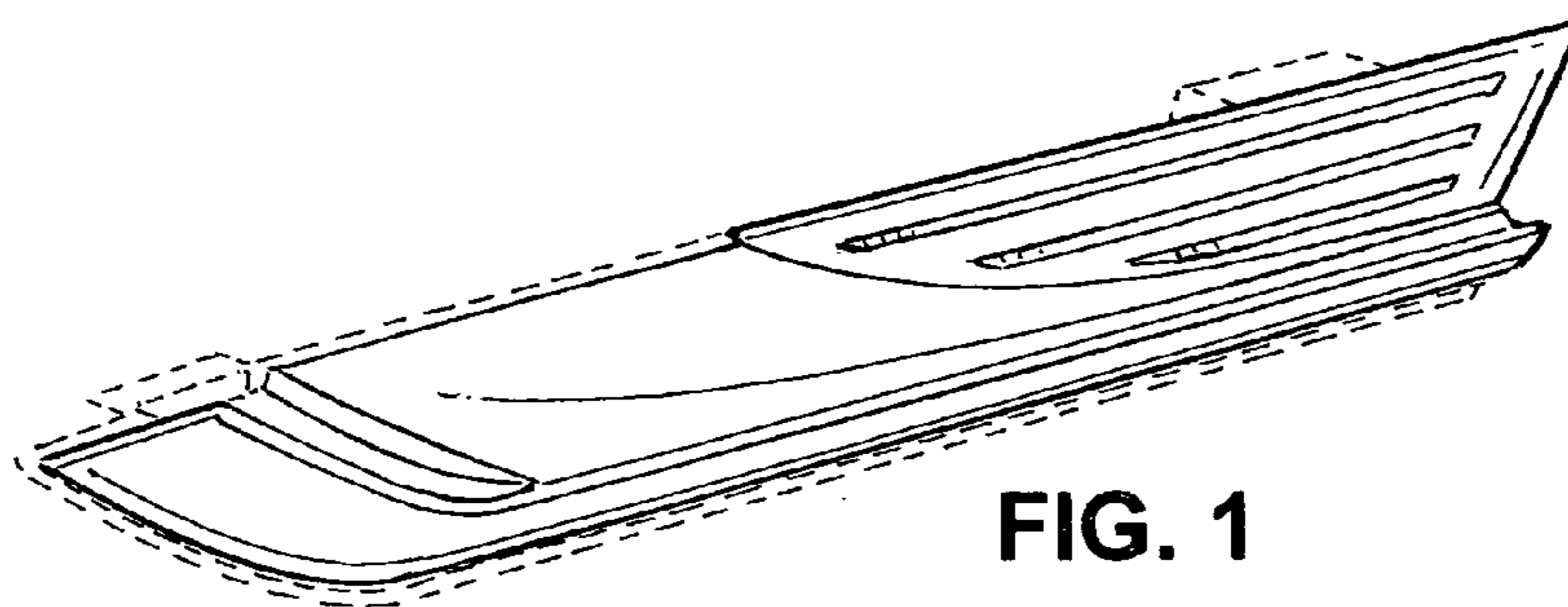


FIG. 1

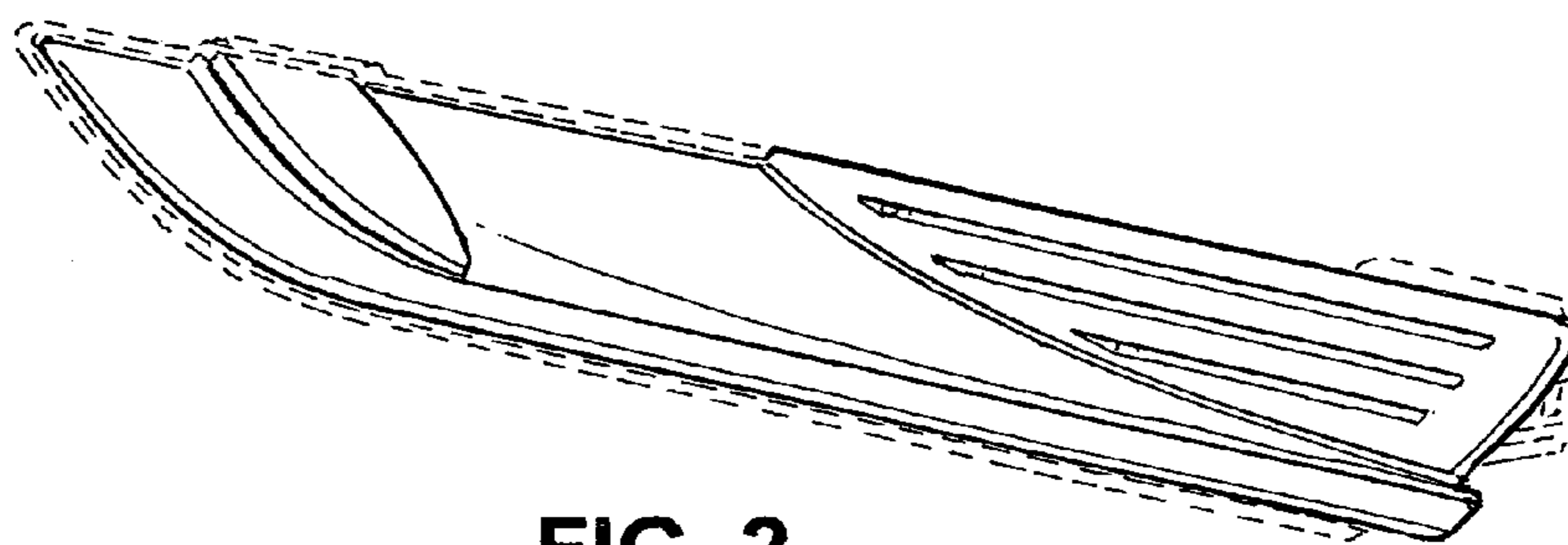


FIG. 2



FIG. 3

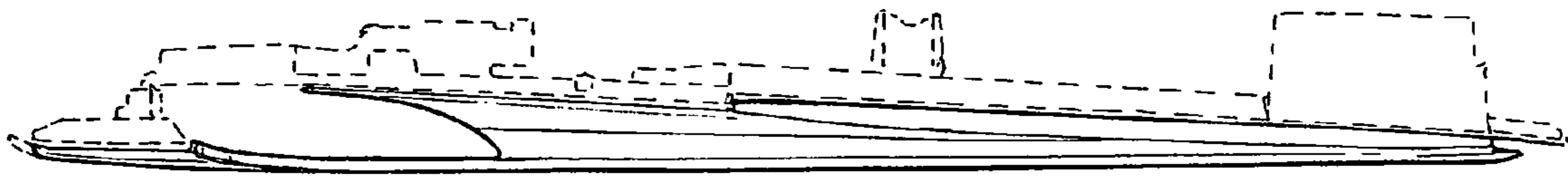


FIG. 4

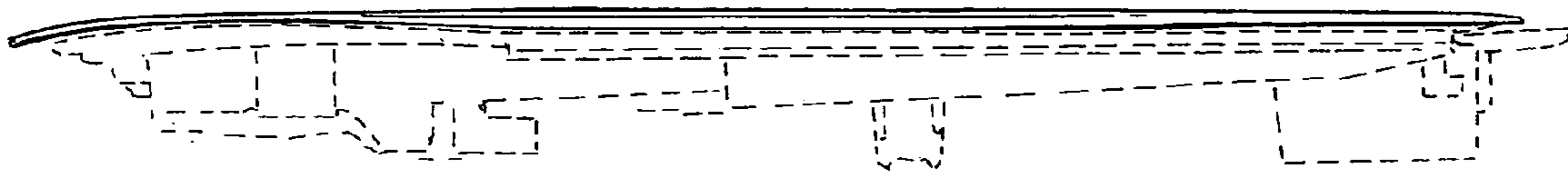


FIG. 5

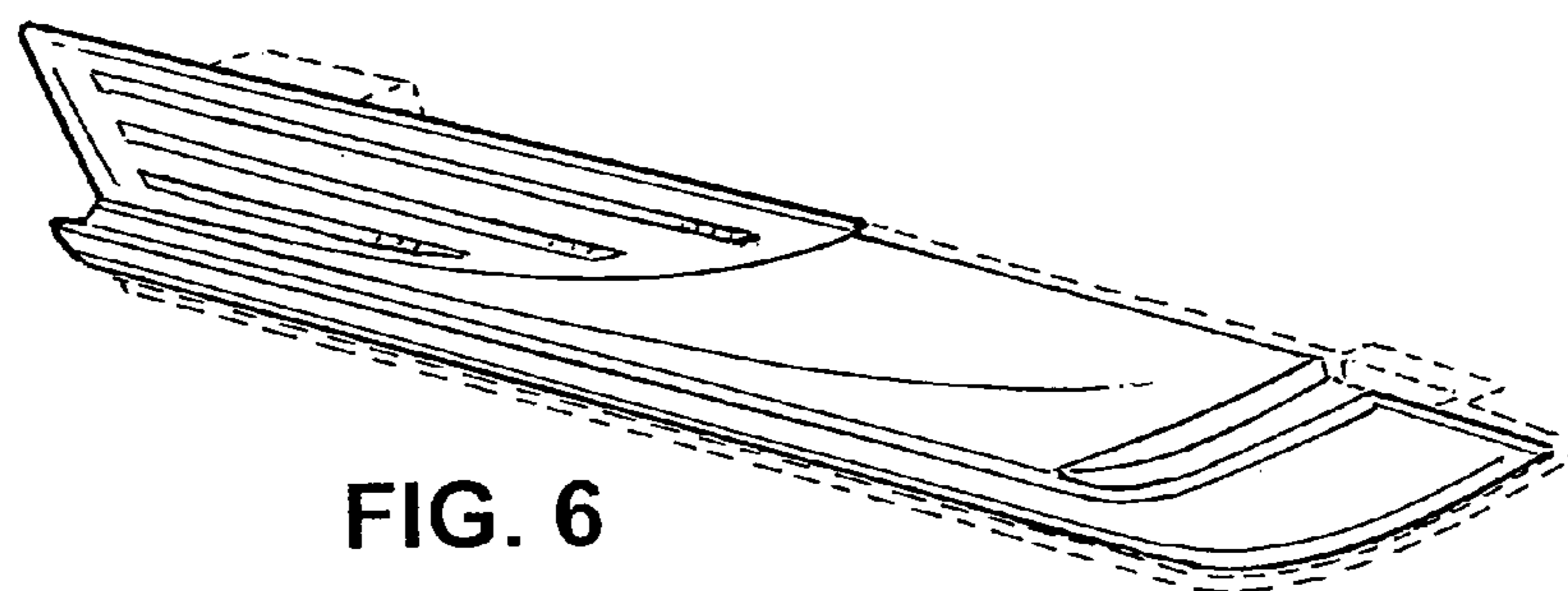


FIG. 6

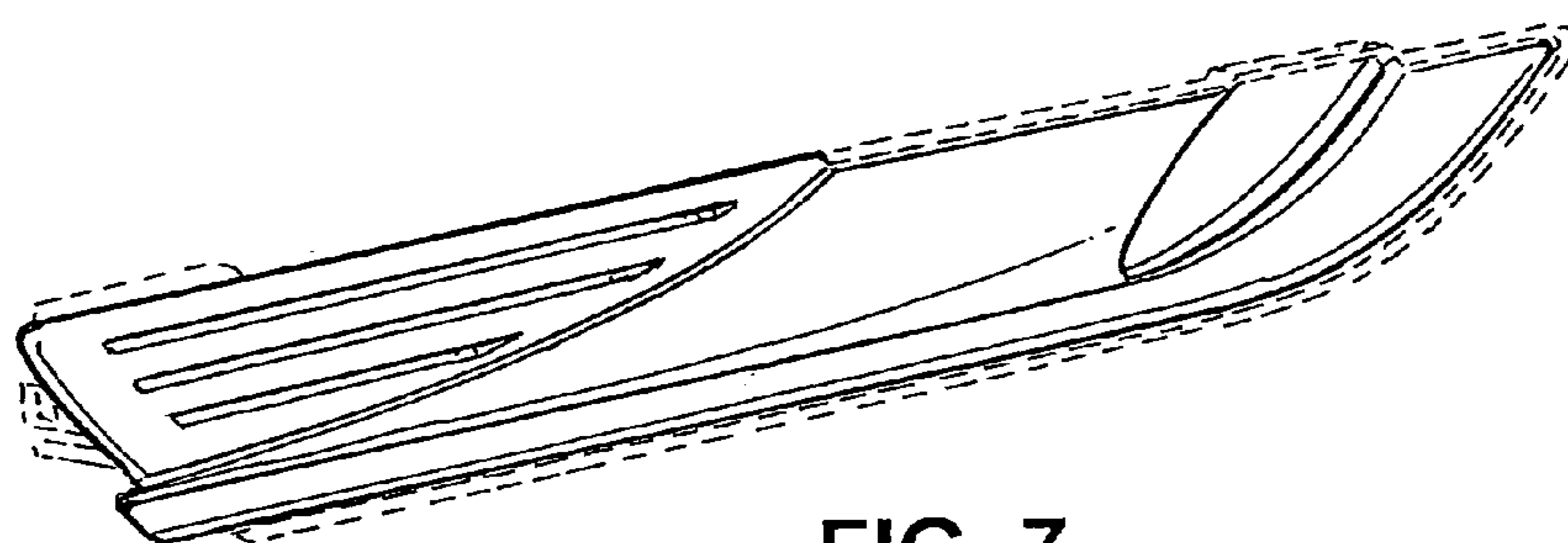


FIG. 7

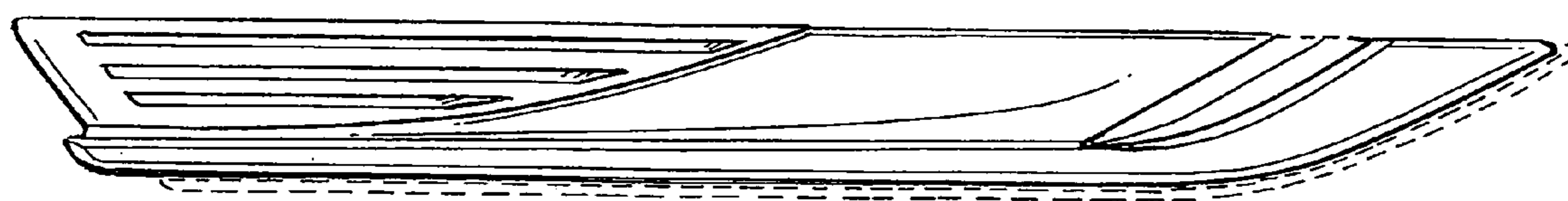


FIG. 8

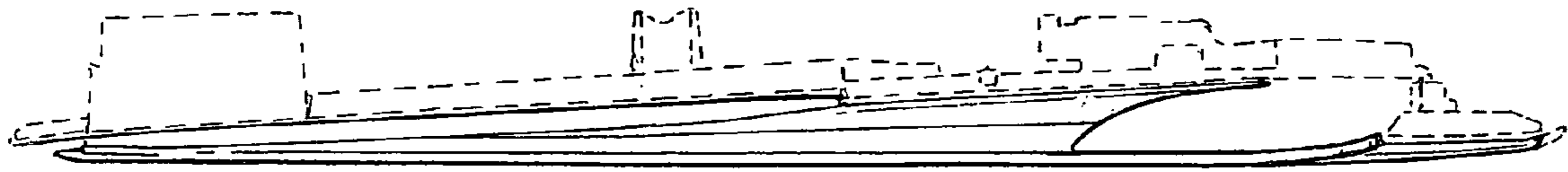


FIG. 9

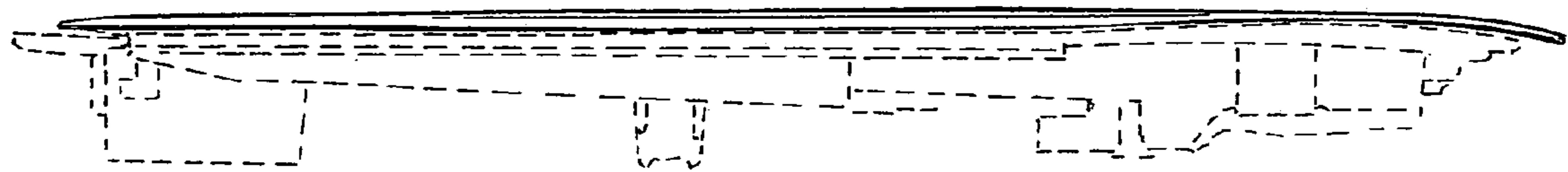


FIG. 10