



US00D660749S

(12) **United States Design Patent**
Strayer

(10) **Patent No.:** **US D660,749 S**
(45) **Date of Patent:** **** May 29, 2012**

(54) **BICYCLE RACK AND WORKSTATION**

(76) Inventor: **David Strayer**, Phoenix, AZ (US)

(**) Term: **14 Years**

(21) Appl. No.: **29/395,116**

(22) Filed: **Nov. 28, 2011**

(51) **LOC (9) Cl.** **12-11**

(52) **U.S. Cl.** **D12/115**

(58) **Field of Classification Search** D12/115,
D12/120; D6/462; D34/28, 31, 32; 280/32.5,
280/293, 296, 297; 248/127, 146, 158, 163.1,
248/176.1, 309.1, 407, 351, 512, 513, 518,
248/519, 676; 269/16, 44, 77, 289 R, 292,
269/296, 900; 414/426, 429; 211/5, 17-24,
211/85.3, 85.7, 181.1, 182

See application file for complete search history.

(56) **References Cited**

U.S. PATENT DOCUMENTS

3,770,133	A	11/1973	Kolker	
3,782,559	A	1/1974	Wright	
4,343,404	A	8/1982	Folsom	
D288,995	S *	3/1987	Cooper D21/664
4,700,845	A	10/1987	Fretter	
4,840,278	A	6/1989	Gelinas	
4,854,421	A *	8/1989	Kawada 187/211
D307,346	S *	4/1990	Kawana D34/31
D307,498	S *	4/1990	Kawana D34/31
5,074,419	A	12/1991	Smith	
5,078,276	A	1/1992	Rogge et al.	
5,125,517	A	6/1992	Martinell	
5,292,009	A	3/1994	Smith	
5,460,274	A	10/1995	Kramer	
5,497,967	A *	3/1996	Gantois 248/166
5,794,793	A	8/1998	Frederick	
5,842,581	A	12/1998	Graefe	
5,848,708	A	12/1998	Edwards	
6,095,344	A	8/2000	White	

6,237,781	B1	5/2001	Dahl	
6,302,278	B1	10/2001	Dueck	
6,419,096	B1	7/2002	Shepherd	
6,484,888	B2	11/2002	Miller	
D473,031	S *	4/2003	Espy D34/28
6,547,116	B2 *	4/2003	Anderson et al. 224/536
6,637,602	B2	10/2003	Dueck	
7,000,783	B2	2/2006	Webb	
7,150,449	B1	12/2006	Dueck et al.	
7,165,684	B2	1/2007	Ferron	
7,168,575	B2	1/2007	Olsen, Jr.	
D585,335	S *	1/2009	Henke et al. D12/115
D594,171	S *	6/2009	Scott D34/32
7,631,854	B1	12/2009	Mountain	
7,735,433	B1 *	6/2010	Albright et al. 108/153.1
7,784,622	B2 *	8/2010	Bernard 211/20
D632,228	S *	2/2011	Marin D12/115
2007/0138111	A1	6/2007	Schairer	

* cited by examiner

Primary Examiner — Susan M Lee

Assistant Examiner — Linda G. Brooks

(74) *Attorney, Agent, or Firm* — The Halvorson Law Firm

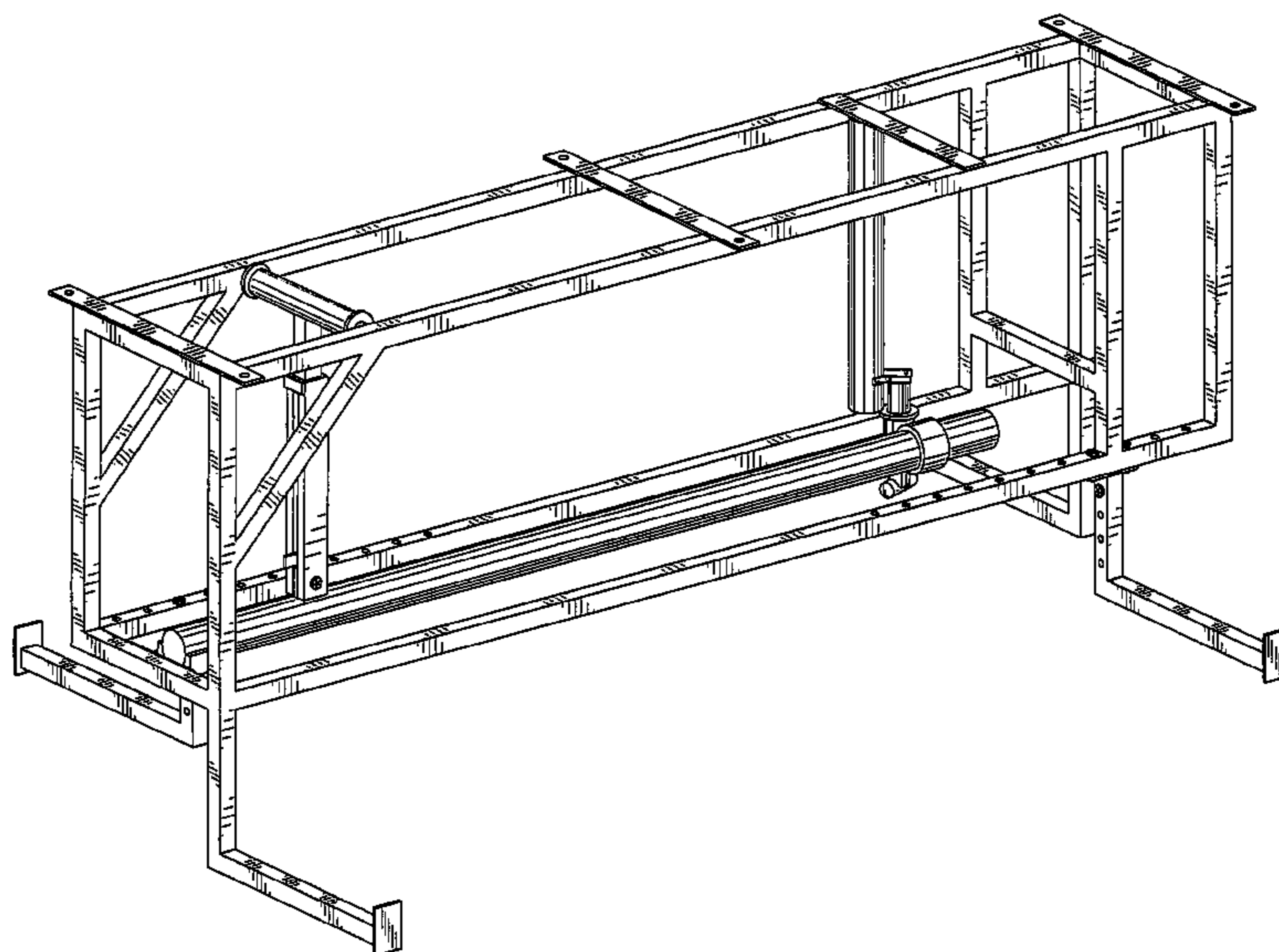
(57) **CLAIM**

The ornamental design for a bicycle rack and workstation, as shown and described.

DESCRIPTION

FIG. 1 is a perspective view of the bicycle rack and workstation;
FIG. 2 is a top view of the bicycle rack and workstation;
FIG. 3 is a bottom view of the bicycle rack and workstation;
FIG. 4 is a side view of the bicycle rack and workstation;
FIG. 5 is a second side view of the bicycle rack and workstation;
FIG. 6 is an end view of the bicycle rack and workstation; and,
FIG. 7 is a second end view of the bicycle rack and workstation.

1 Claim, 7 Drawing Sheets



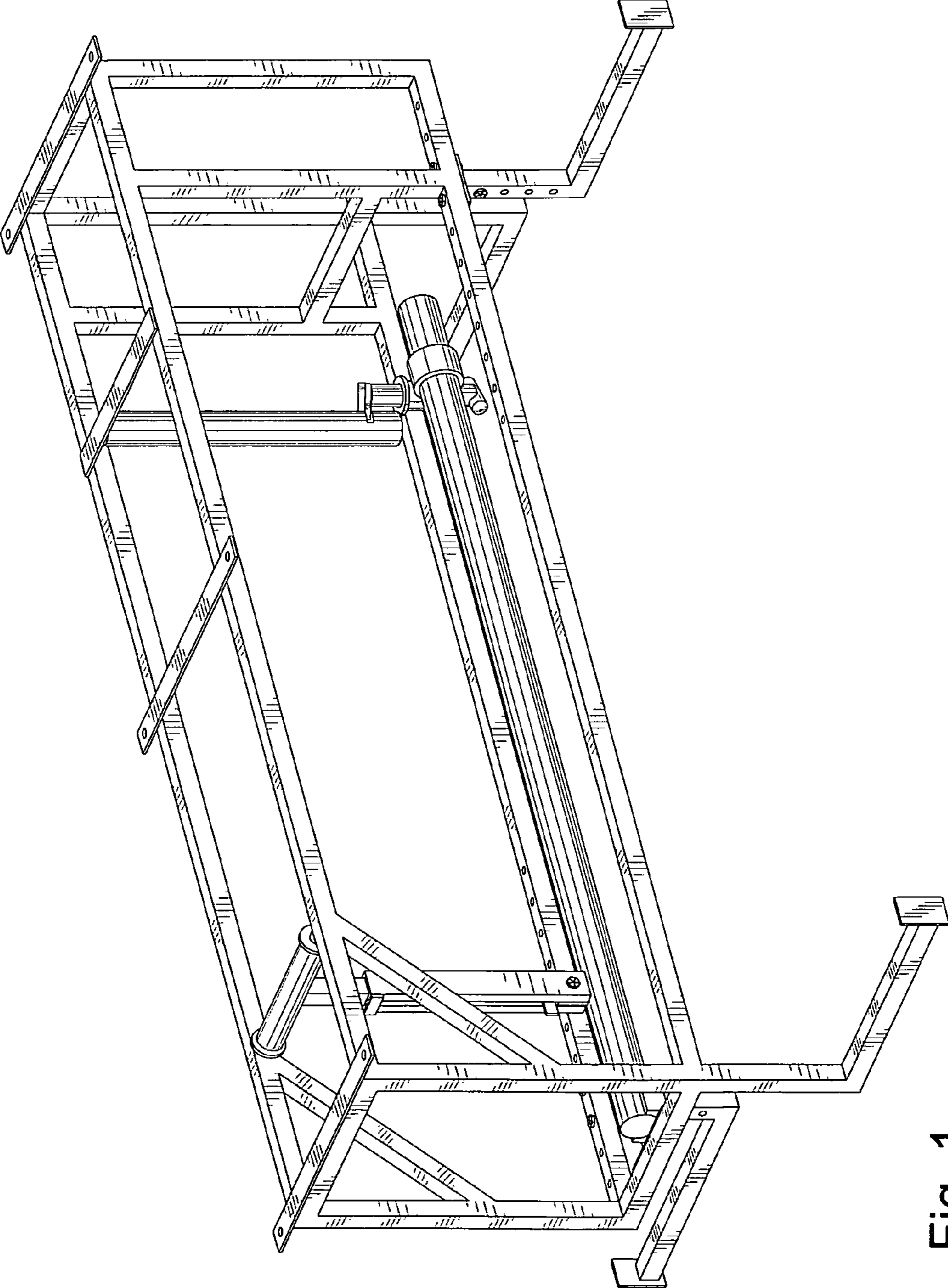


Fig. 1

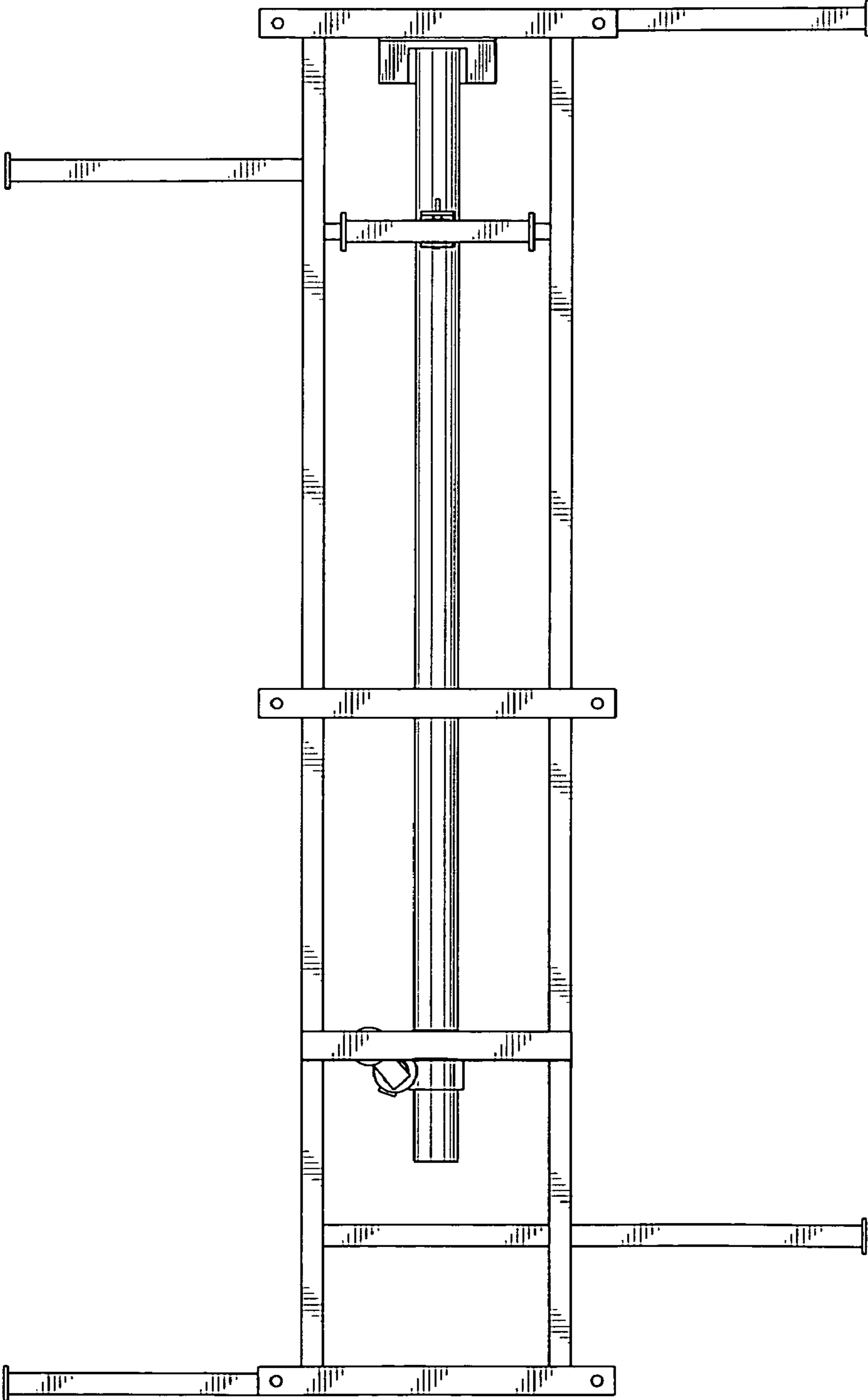


Fig. 2

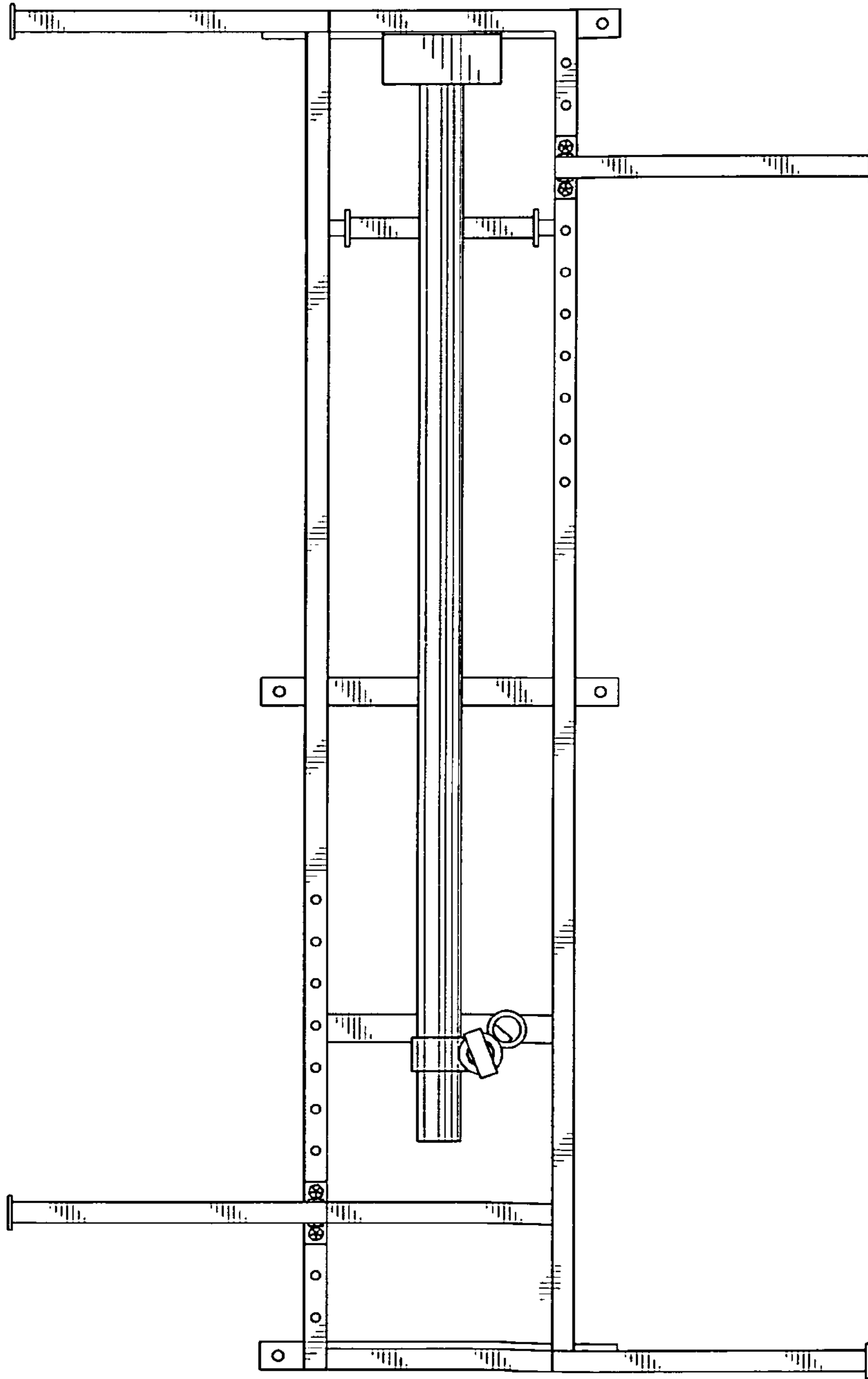


Fig. 3

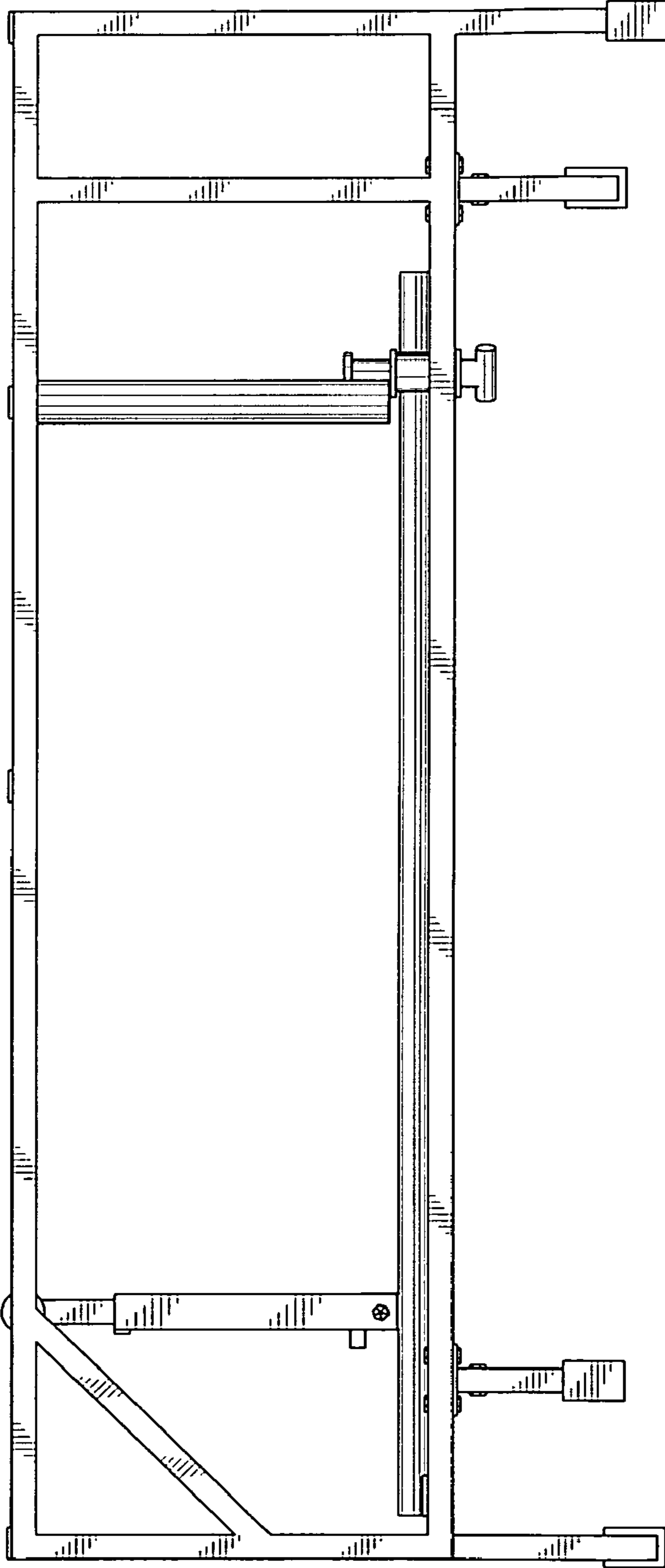


Fig. 4

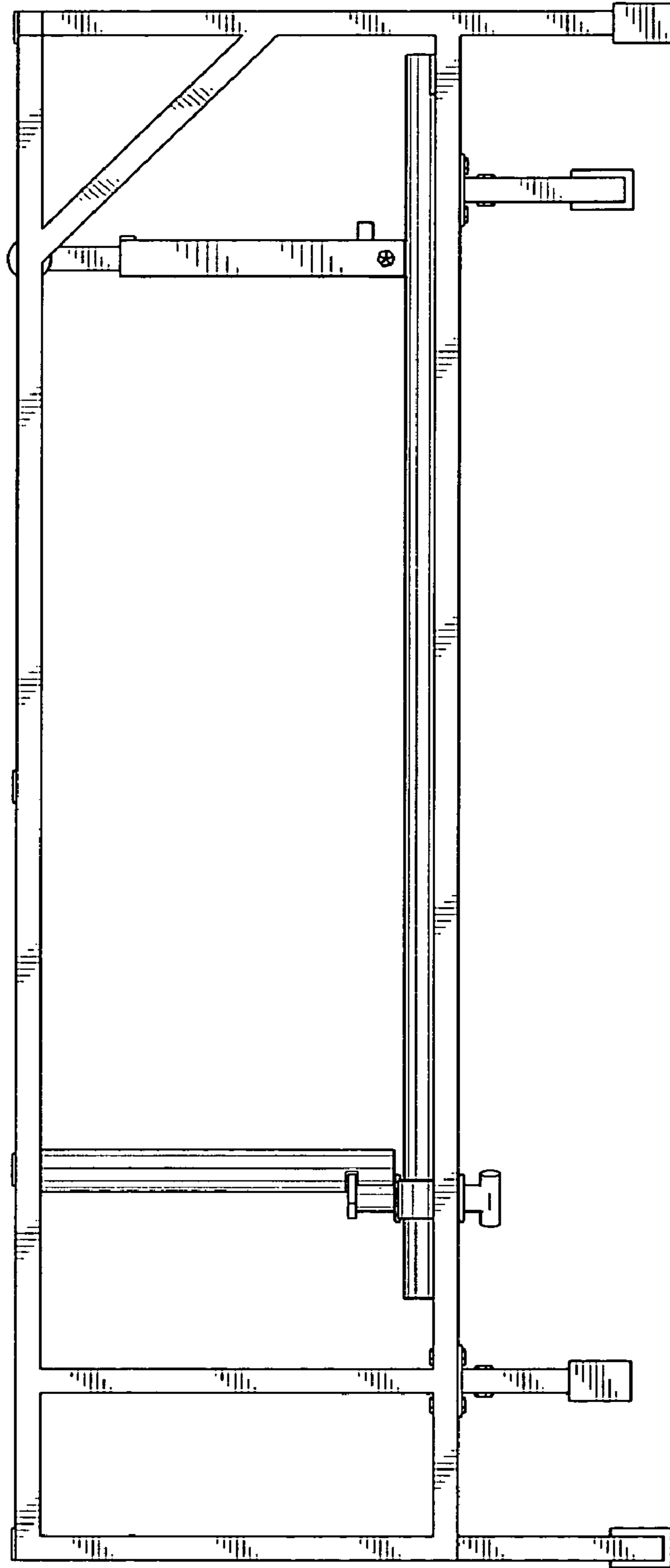


Fig. 5

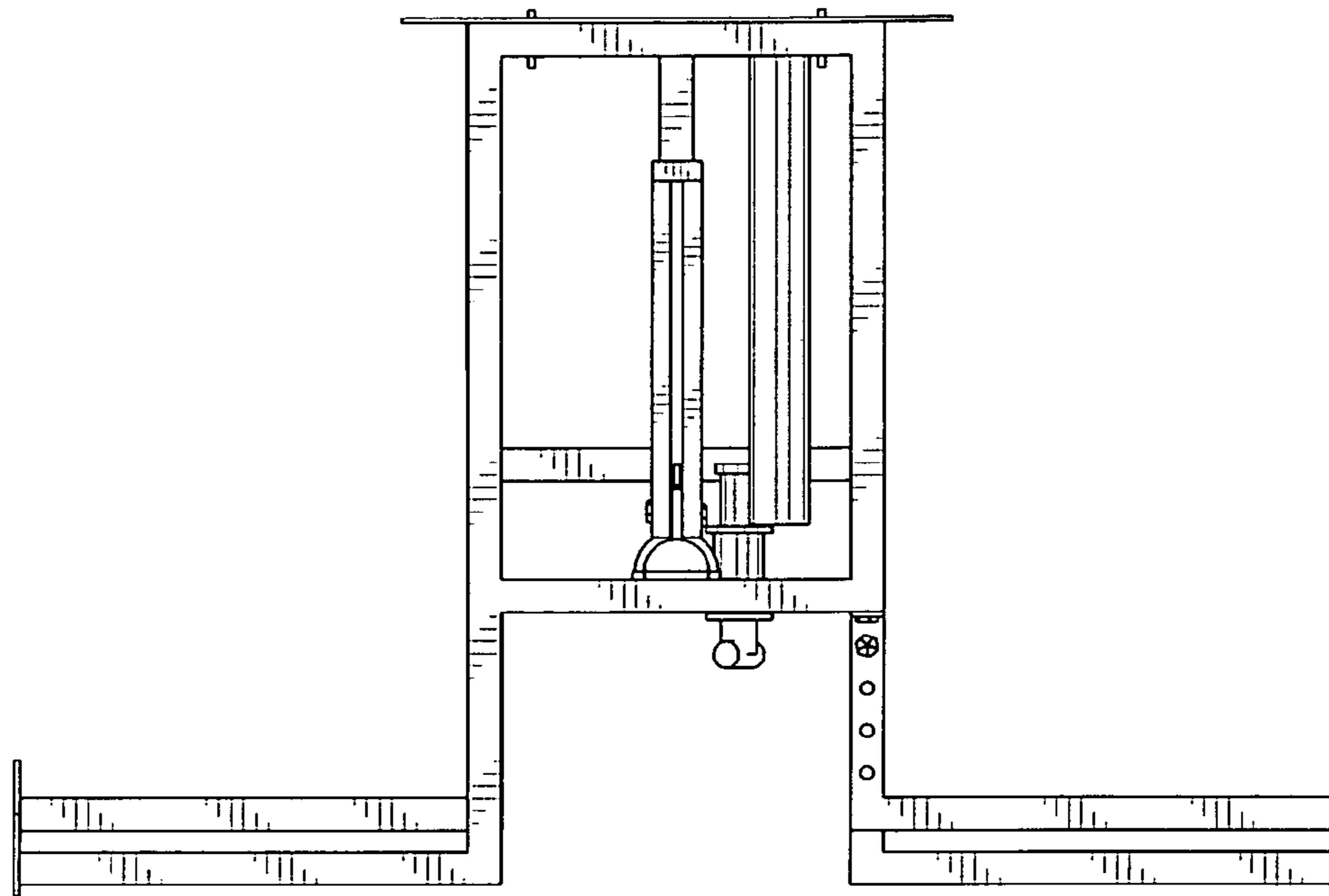


Fig. 6

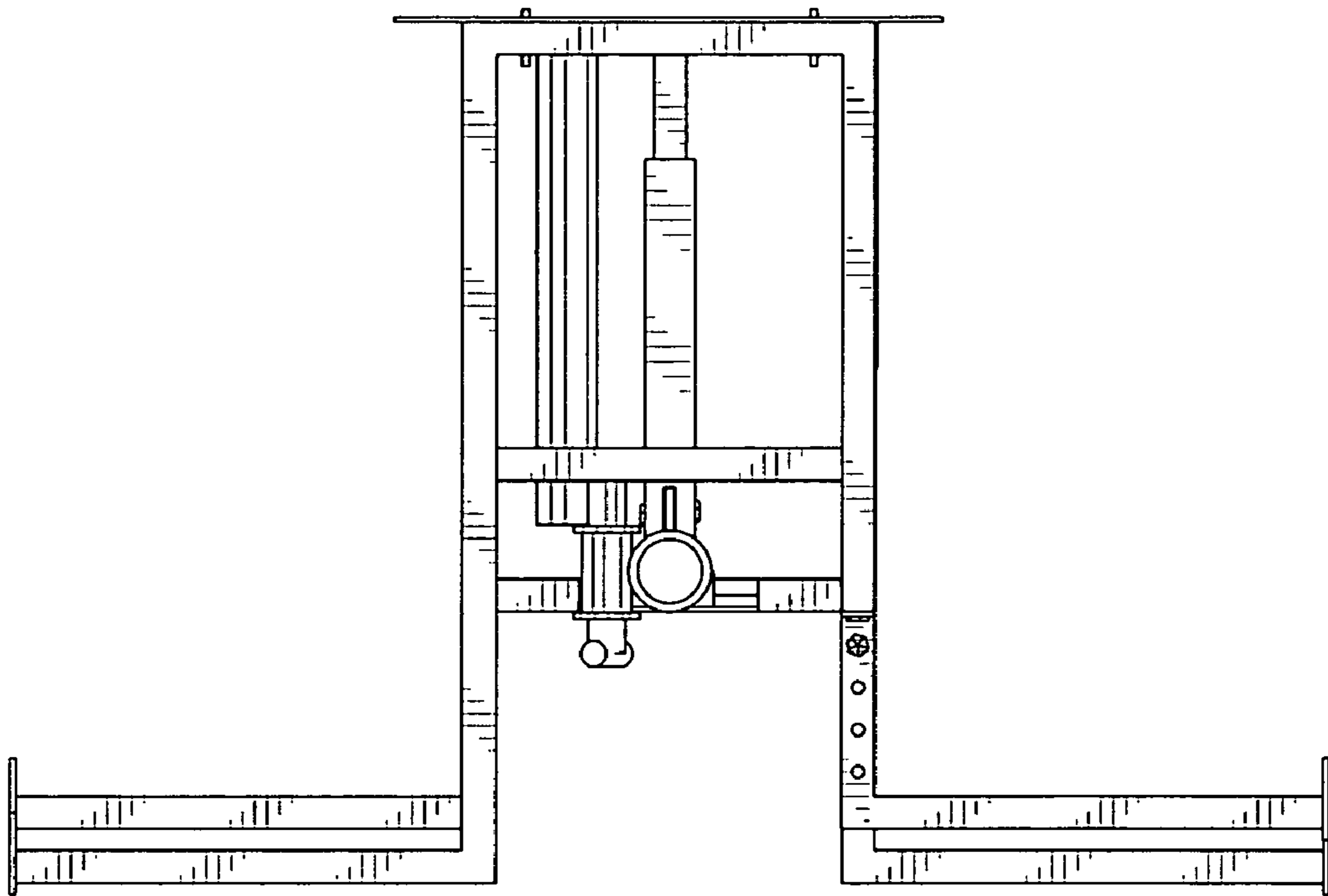


Fig. 7