



US00D660748S

(12) **United States Design Patent**
Cooley

(10) **Patent No.:** **US D660,748 S**

(45) **Date of Patent:** **** May 29, 2012**

(54) **BICYCLE TRAILER**

(76) Inventor: **Lisa Cooley**, Columbus, IN (US)

(**) Term: **14 Years**

(21) Appl. No.: **29/400,042**

(22) Filed: **Aug. 23, 2011**

(51) **LOC (9) Cl.** **12-10**

(52) **U.S. Cl.** **D12/101**

(58) **Field of Classification Search** D12/100-106,
D12/19, 129; D21/425, 435; D34/21-26,
D34/12, 16; 280/204, 205, 63, 475, 482,
280/647;
296/168, 180, 180.2, 10, 61, 100.01-100.08
See application file for complete search history.

(56) **References Cited**

U.S. PATENT DOCUMENTS

D402,924 S *	12/1998	Neault et al.	D12/101
D418,451 S *	1/2000	Konecheck	D12/101
D518,758 S *	4/2006	Reese et al.	D12/101
D593,927 S *	6/2009	Walton et al.	D12/406
7,726,680 B2 *	6/2010	Lane	280/482
D630,558 S *	1/2011	Hopkins Clutterbuck et al.	D12/106
D649,317 S *	11/2011	Nolin et al.	D34/12
D649,912 S *	12/2011	Chen	D12/101
D654,241 S *	2/2012	Vilkomirski et al.	D34/26
8,123,241 B1 *	2/2012	Chen	280/204

* cited by examiner

Primary Examiner — Caron D Veynar

Assistant Examiner — Katrina A Betton

(74) *Attorney, Agent, or Firm* — Roberts IP Law; John Roberts

(57) **CLAIM**

The ornamental design for a bicycle trailer, as shown.

DESCRIPTION

FIG. 1 is a right side isometric view of a bicycle trailer of the present invention, showing one embodiment of my new design;

FIG. 2 is a front elevation view of the embodiment of FIG. 1;

FIG. 3 is a back elevation view thereof;

FIG. 4 is a right side elevation view thereof;

FIG. 5 is a left side elevation view thereof;

FIG. 6 is a top plan view thereof; and

FIG. 7 is a bottom plan view thereof.

FIG. 8 is a right side isometric view of a bicycle trailer of the present invention, showing another embodiment of my new design;

FIG. 9 is a front elevation view of the embodiment of FIG. 8;

FIG. 10 is a back elevation view thereof;

FIG. 11 is a right side elevation view thereof;

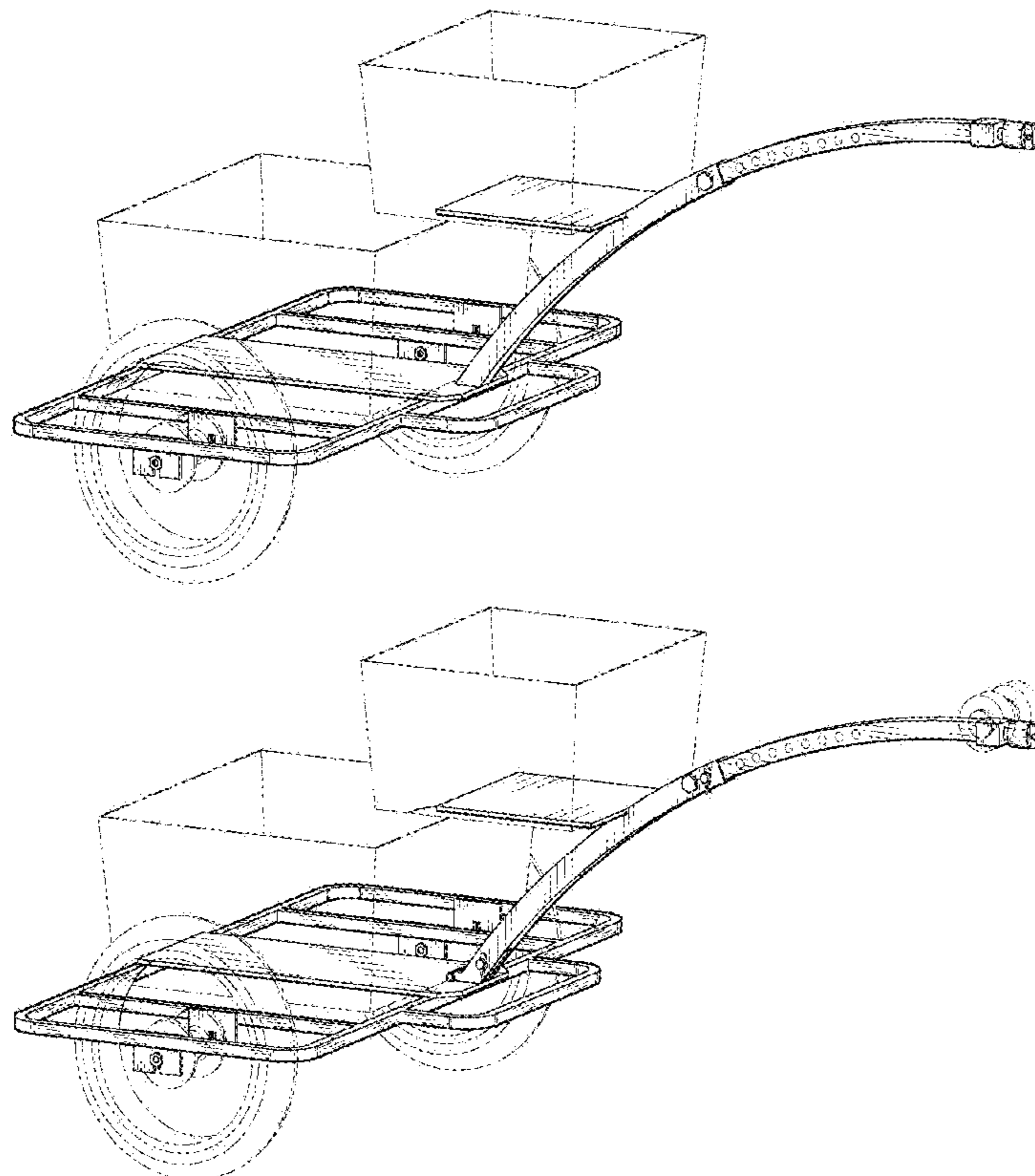
FIG. 12 is a left side elevation view thereof;

FIG. 13 is a top plan view thereof; and,

FIG. 14 is a bottom plan view thereof.

In the drawings, the broken lines in the figures depict portions of the article that form no part of the claim.

1 Claim, 12 Drawing Sheets



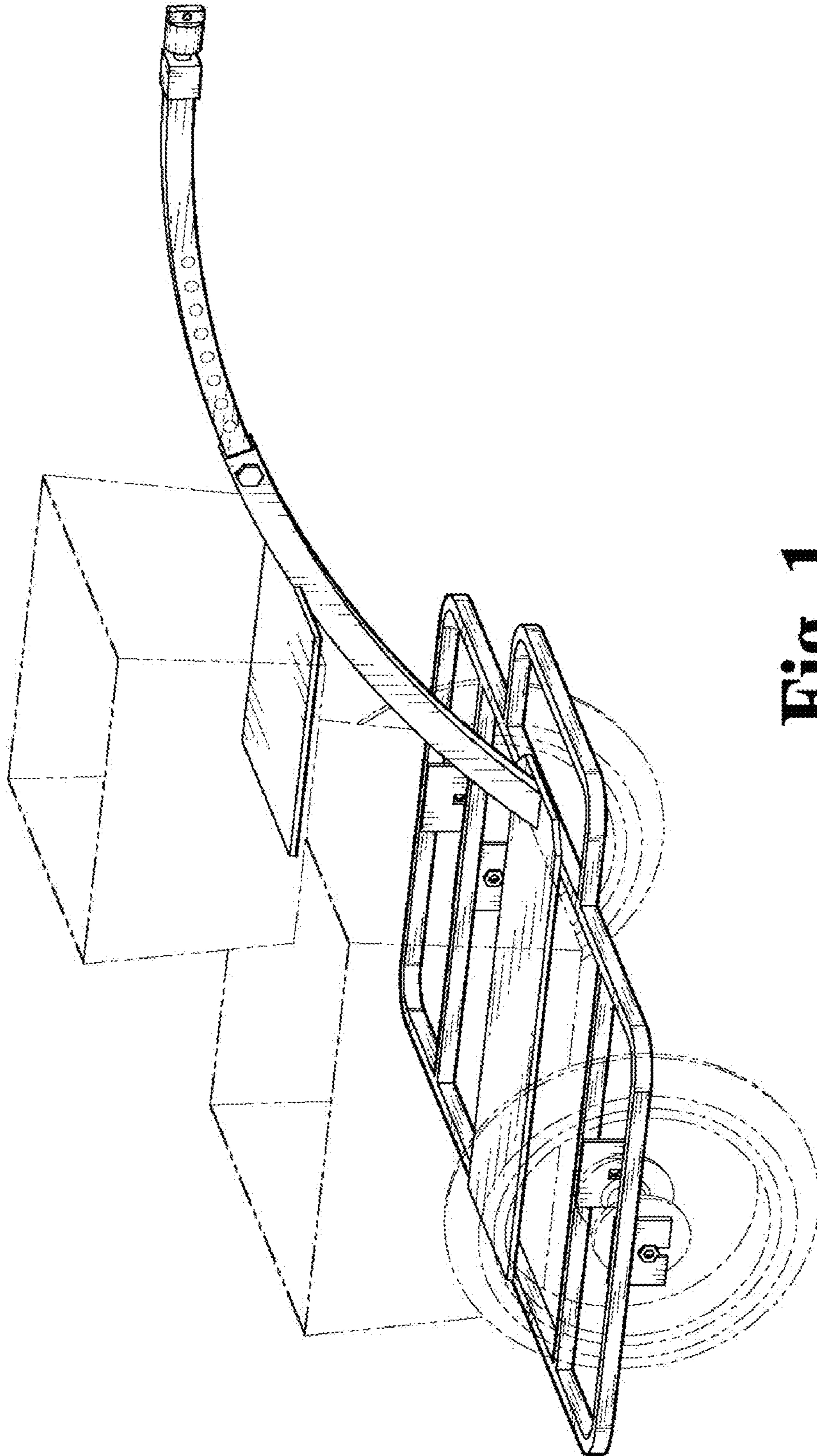


Fig. 1

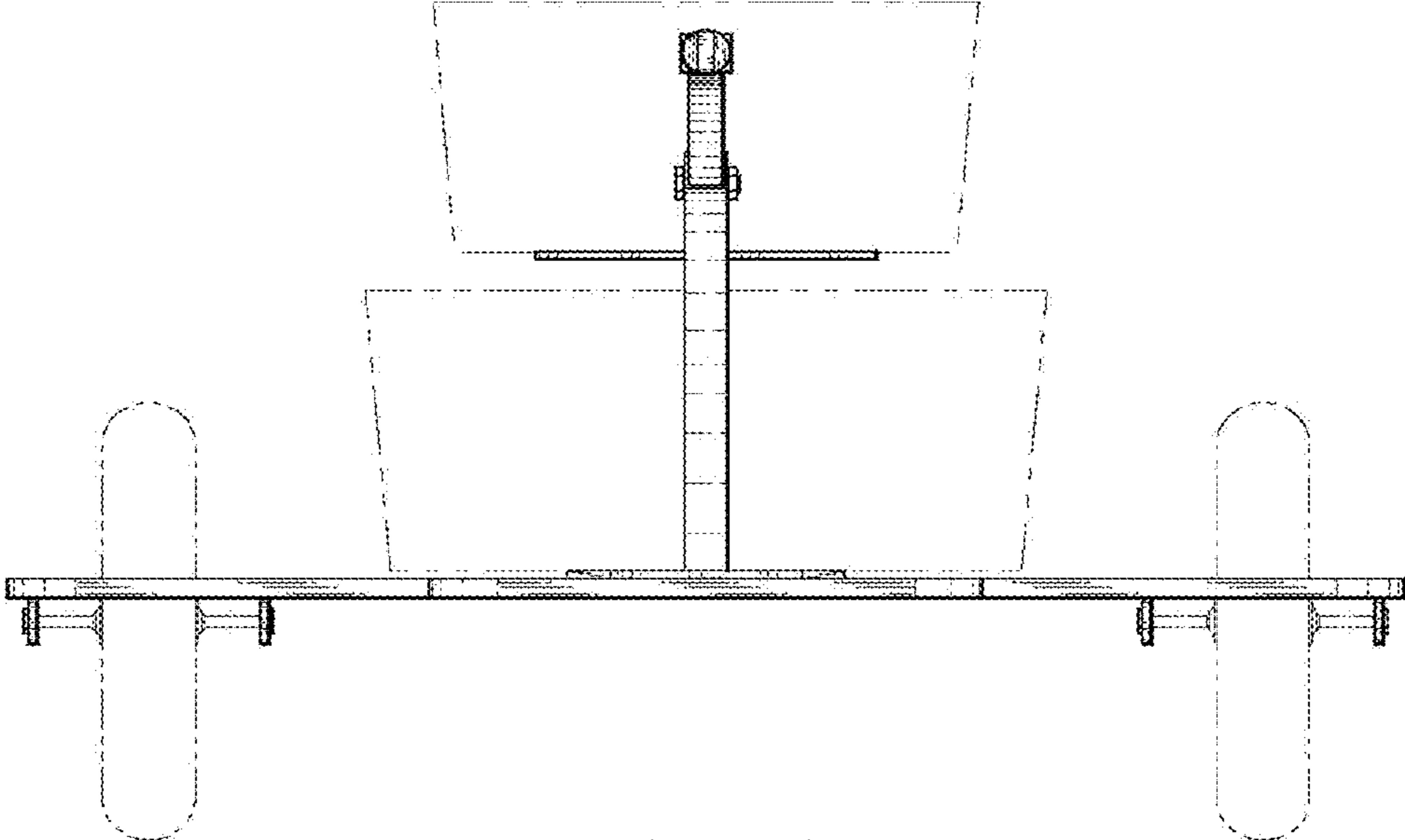


Fig. 2

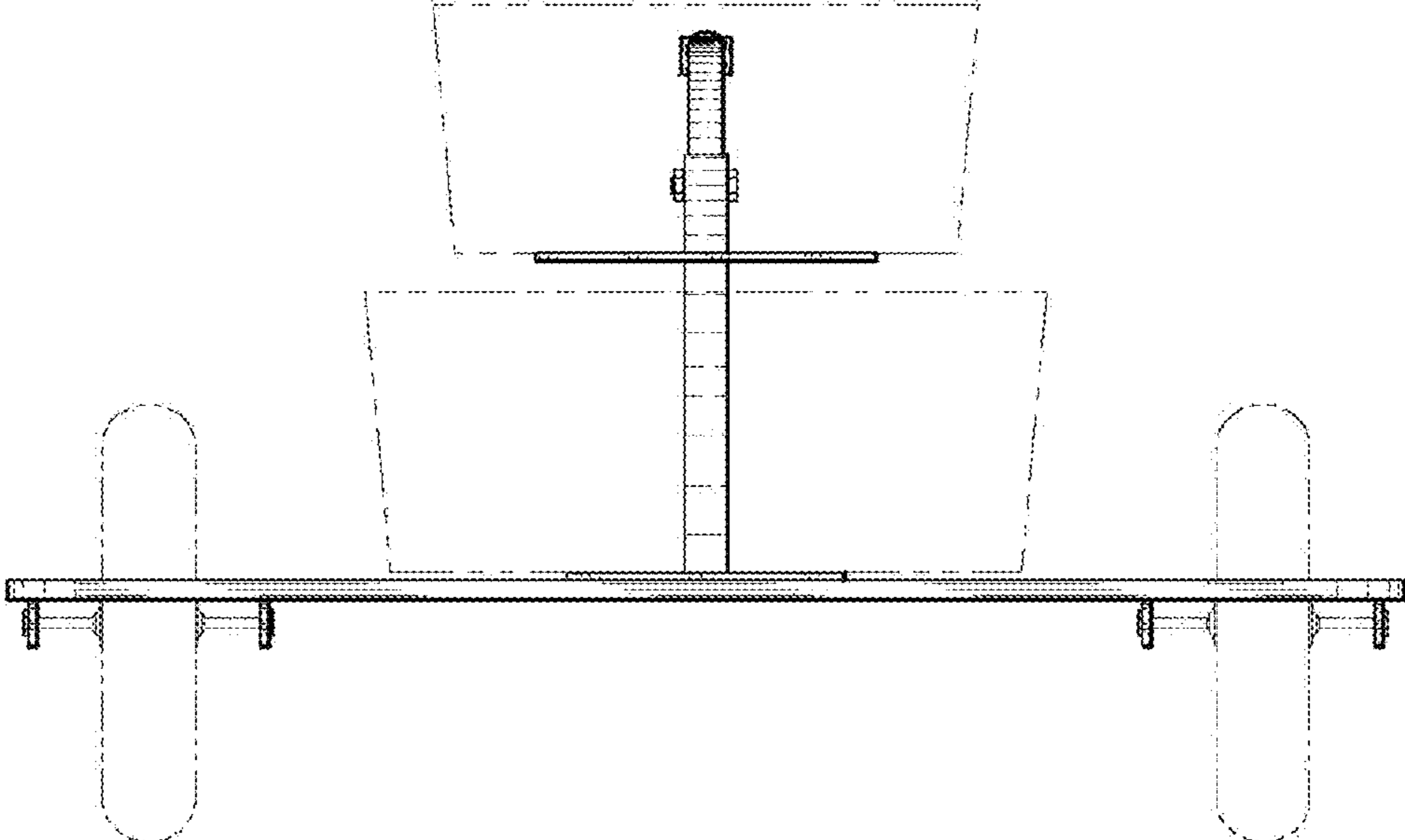


Fig. 3

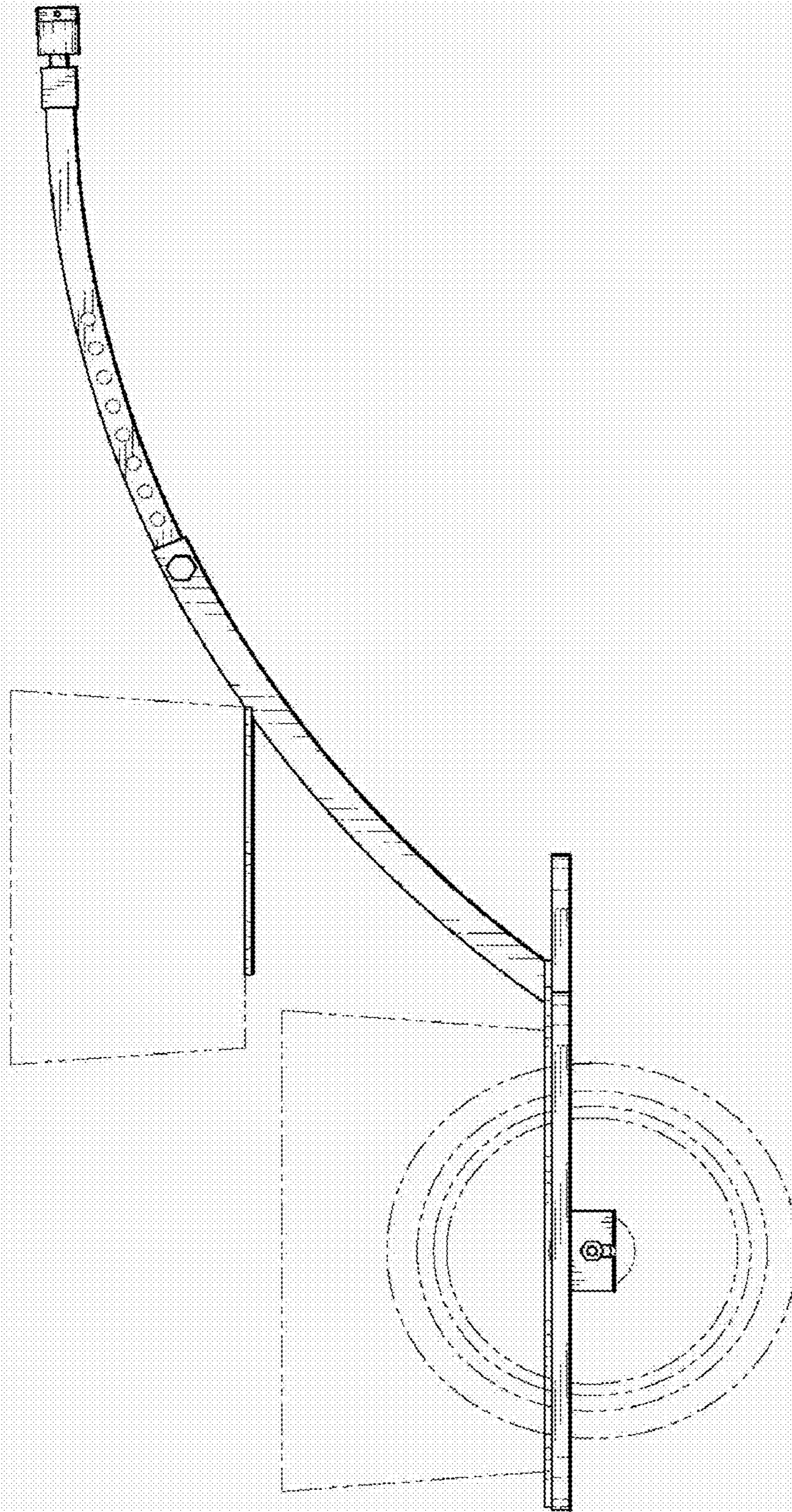


Fig. 4

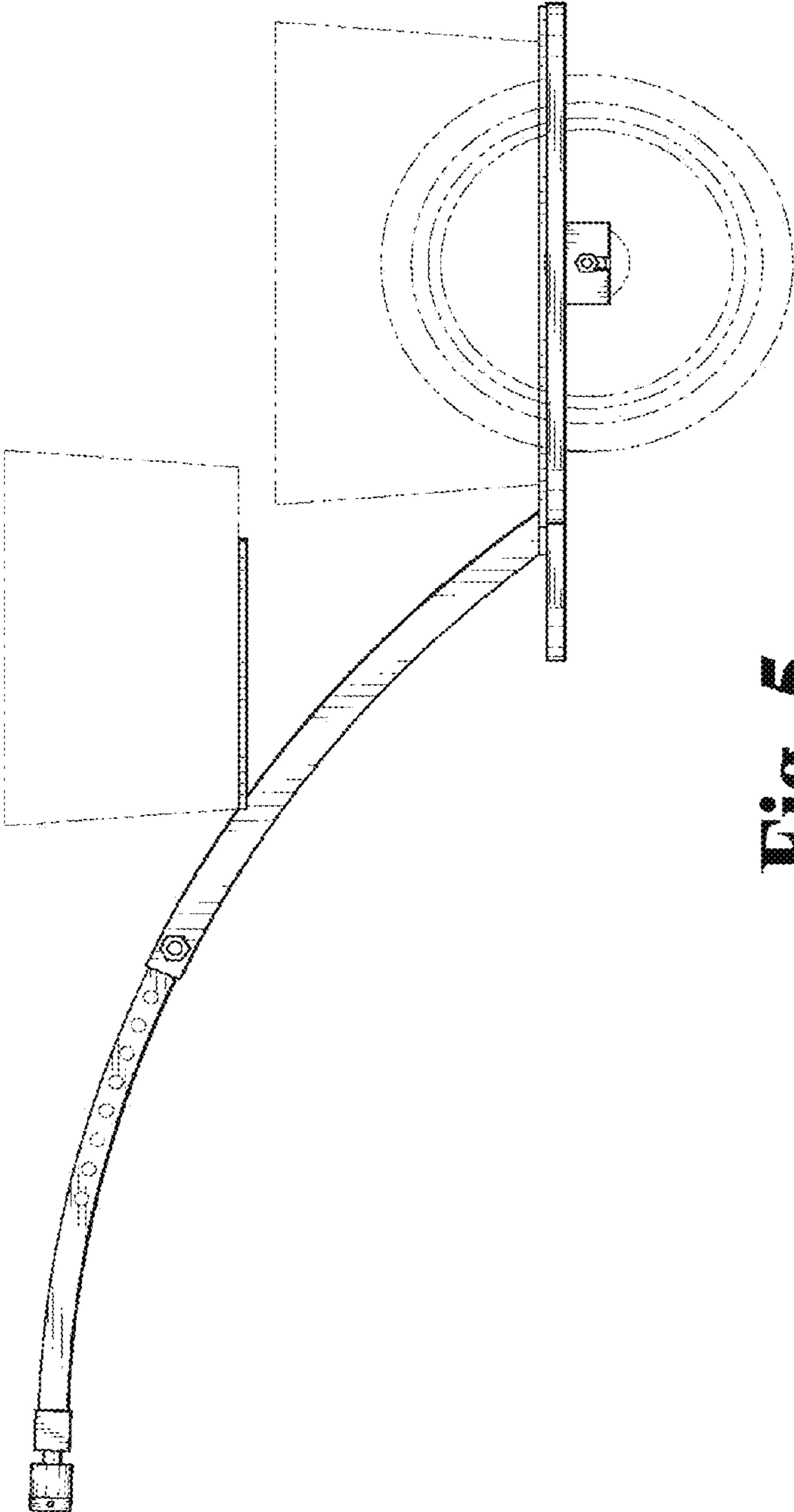


Fig. 5

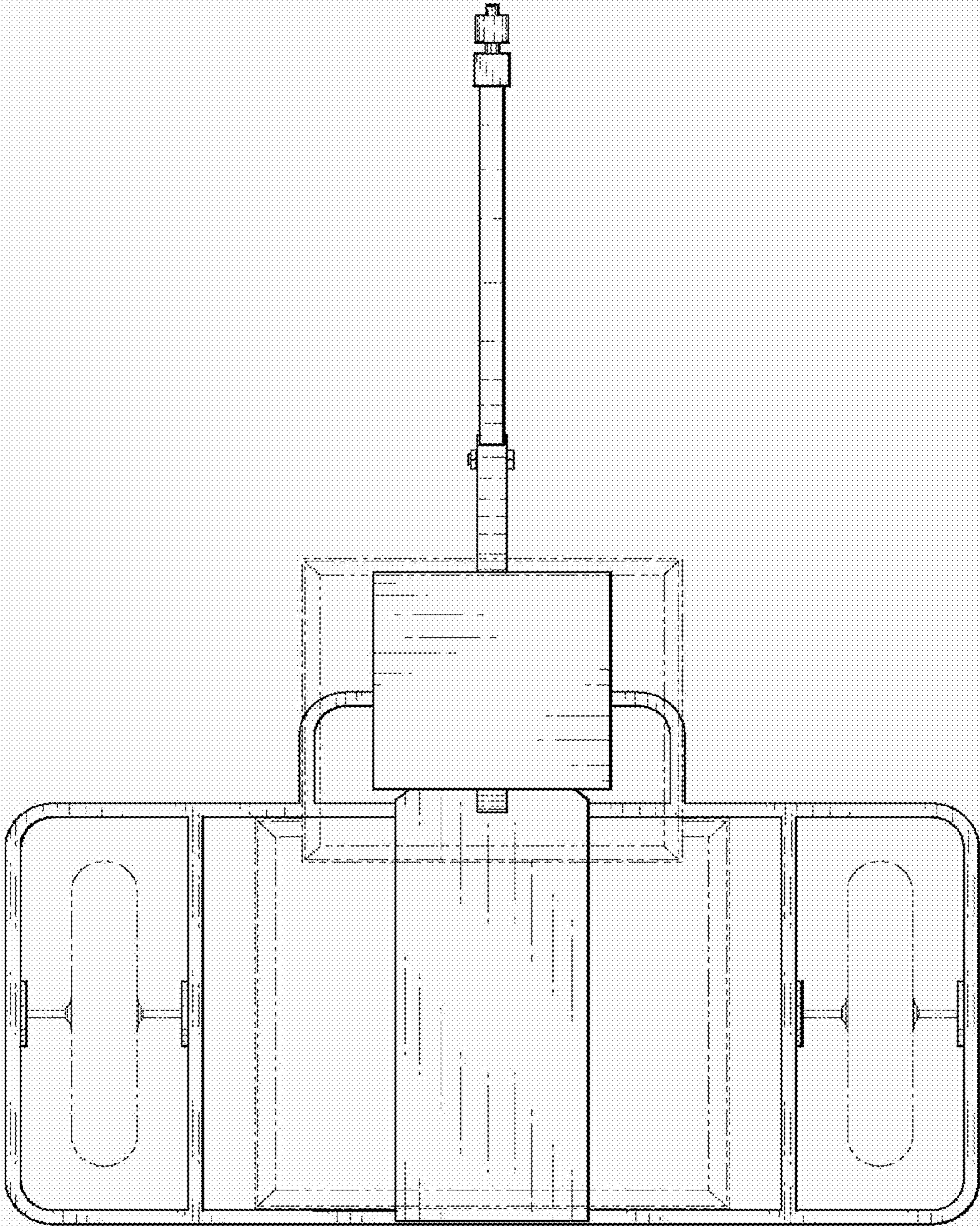


Fig. 6

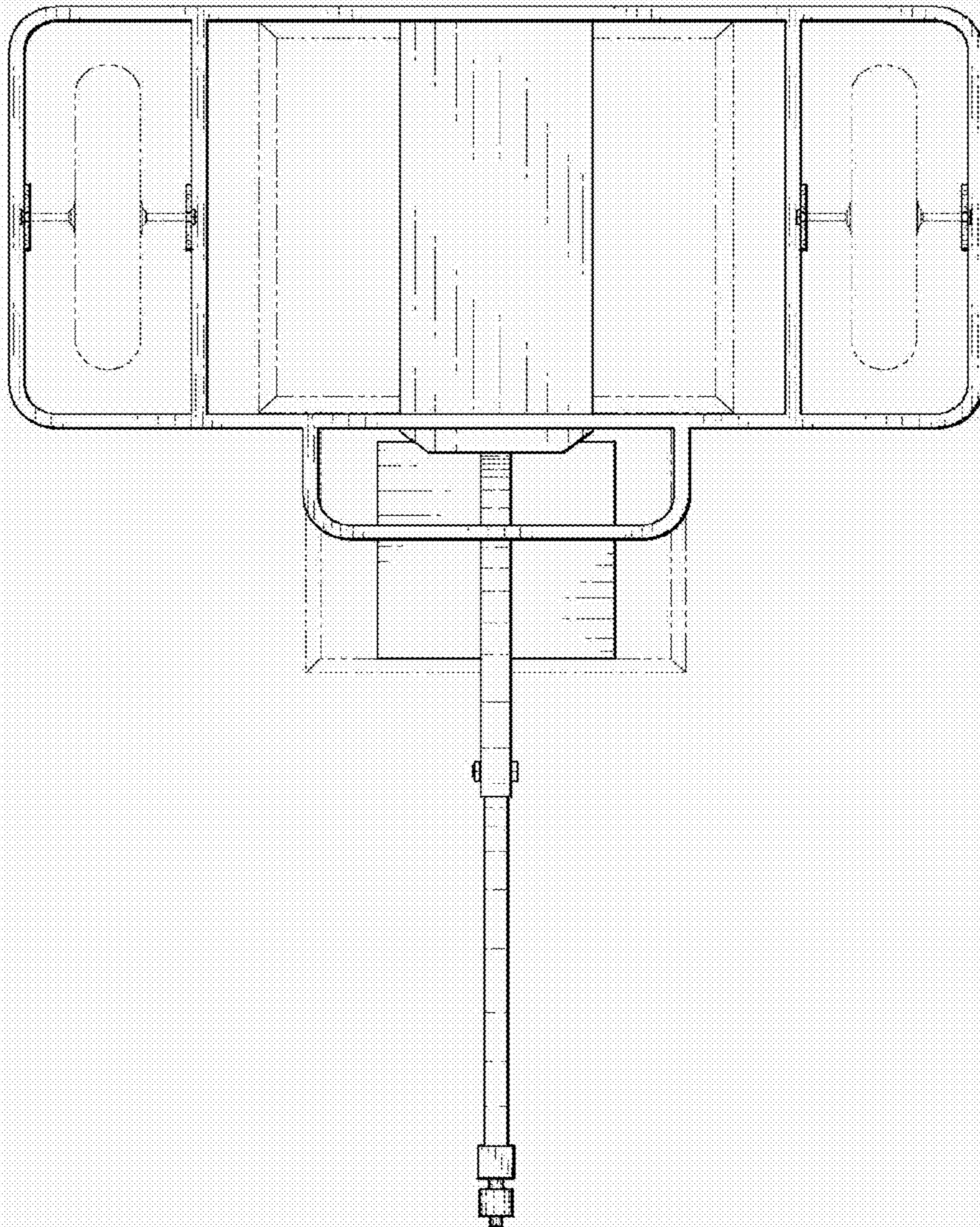


Fig. 7

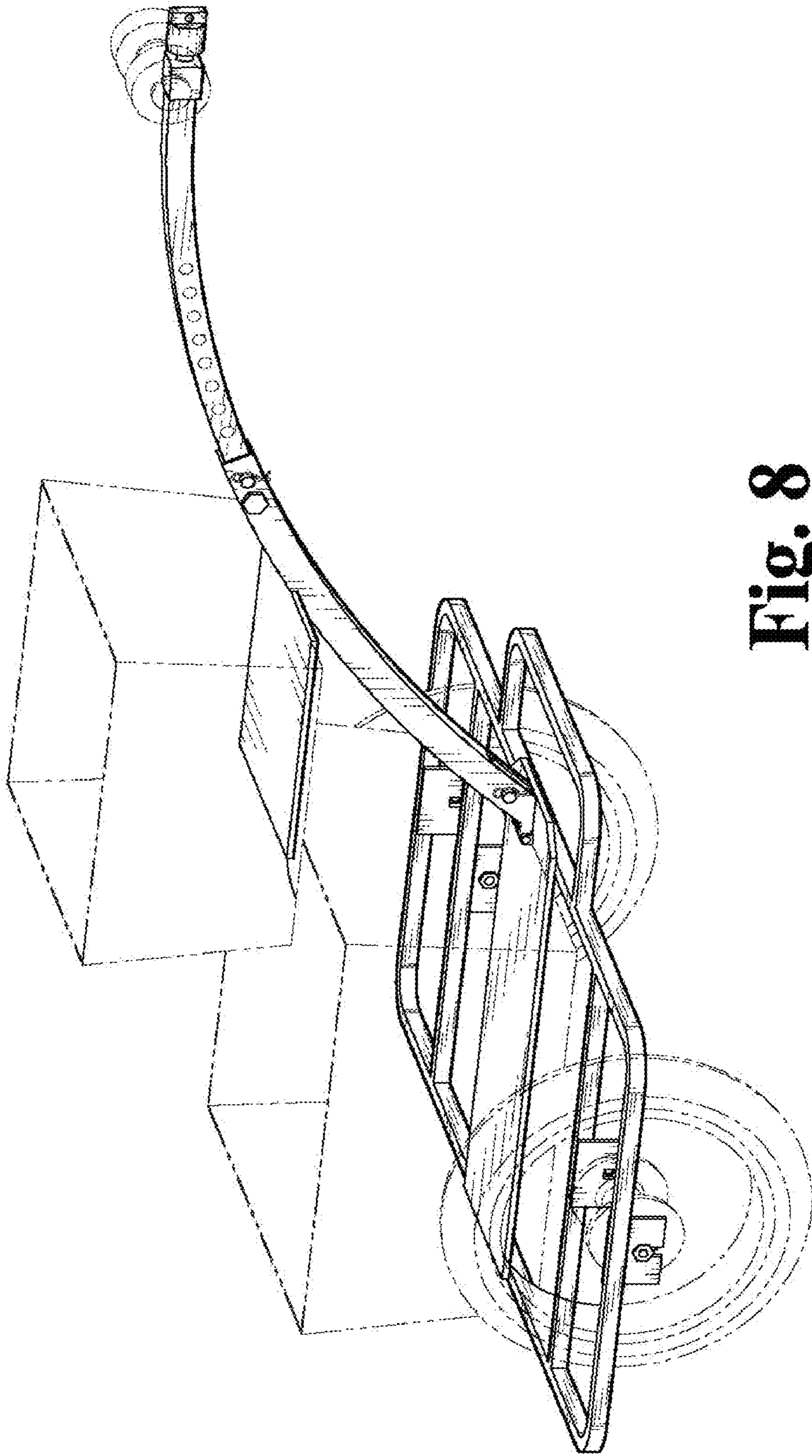


Fig. 8

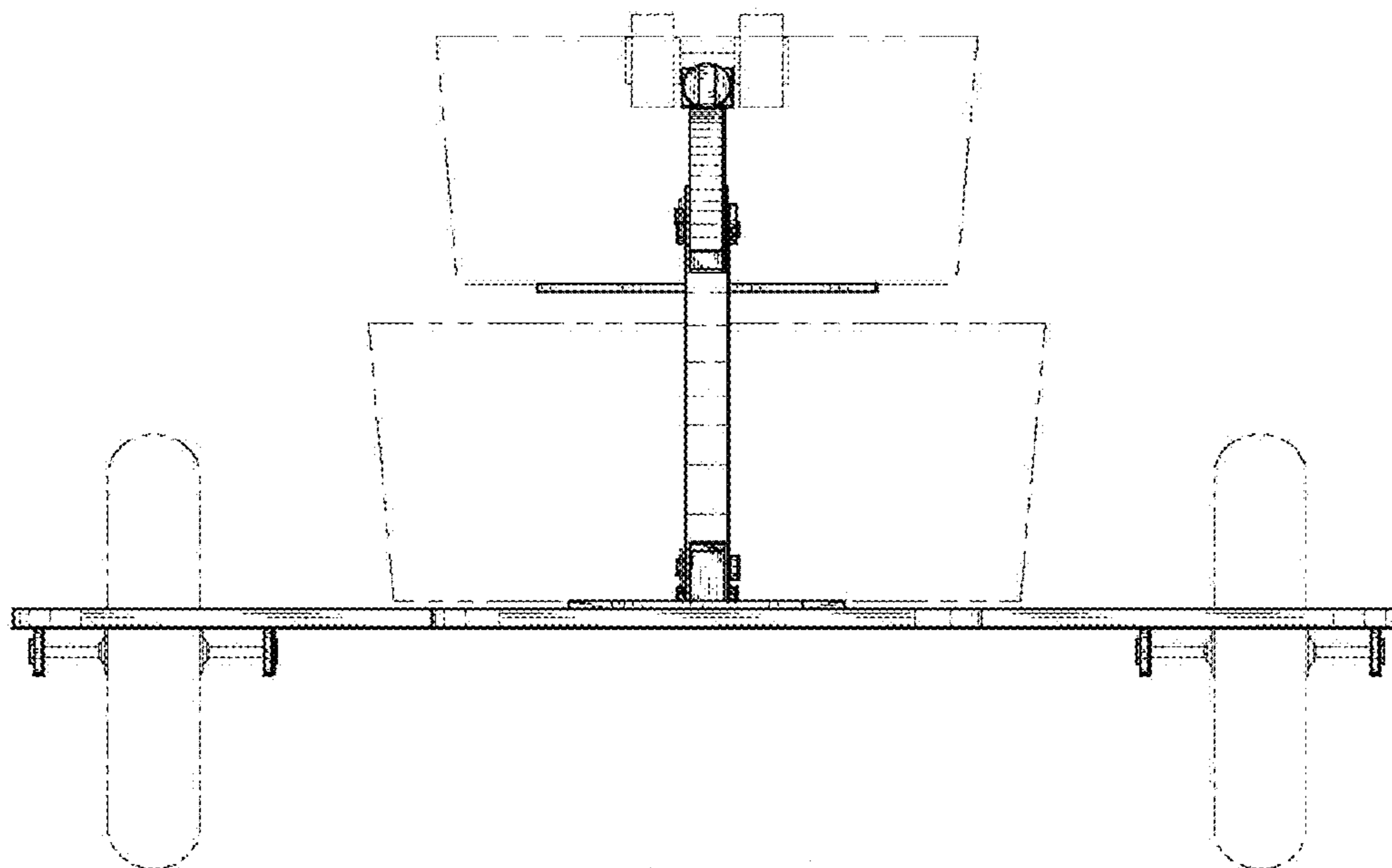


Fig. 9

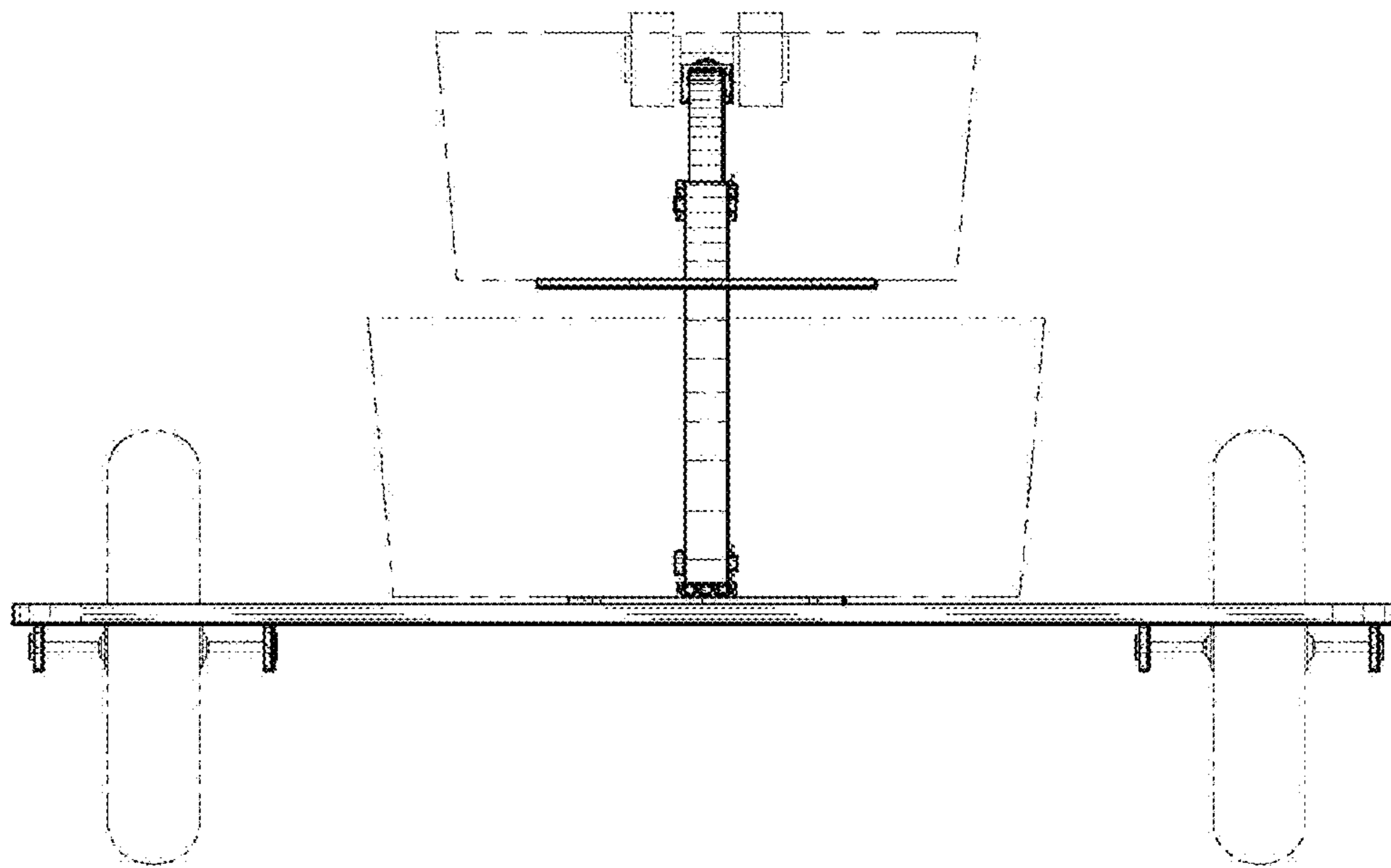


Fig. 10

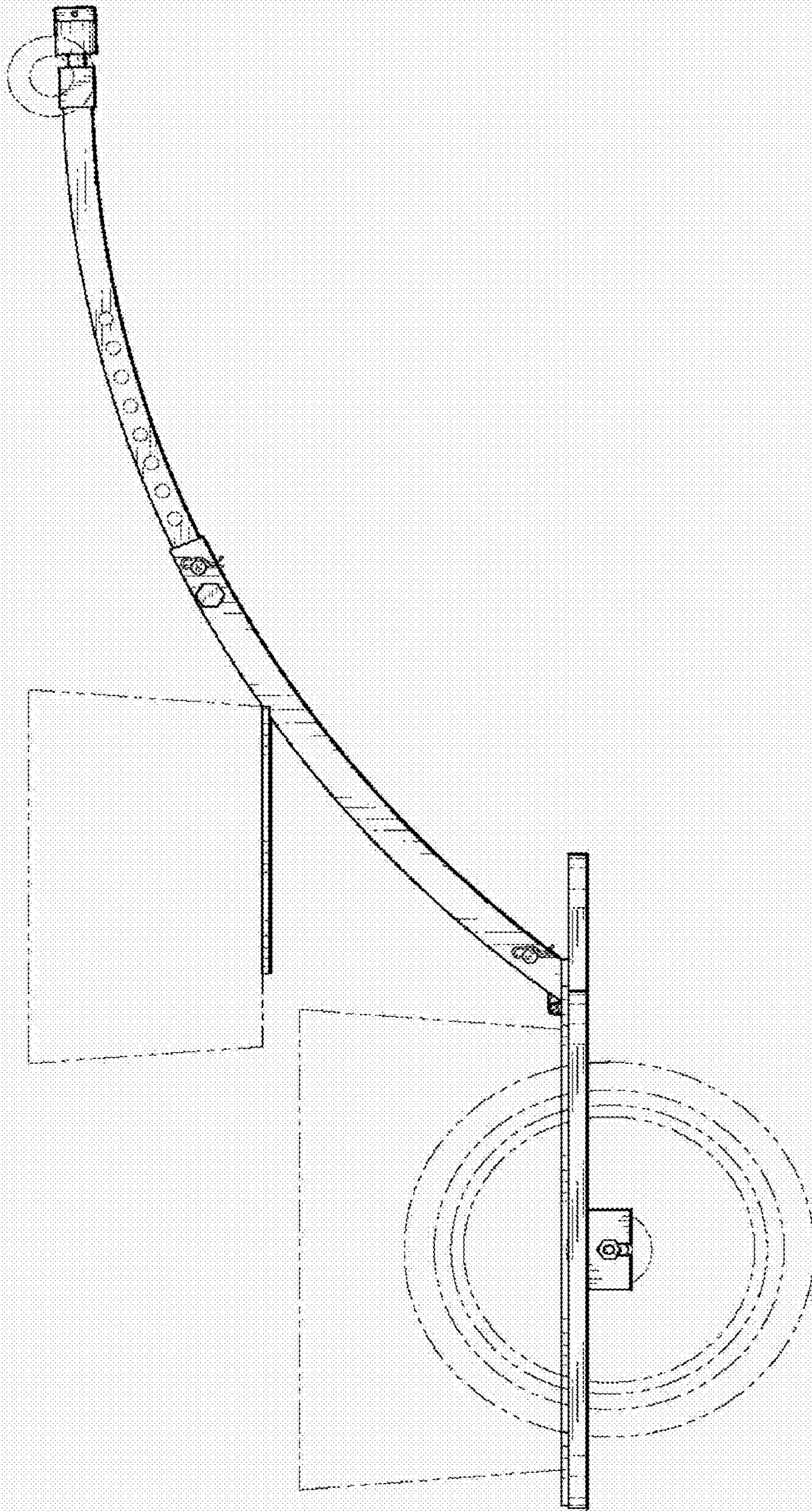


Fig. 11

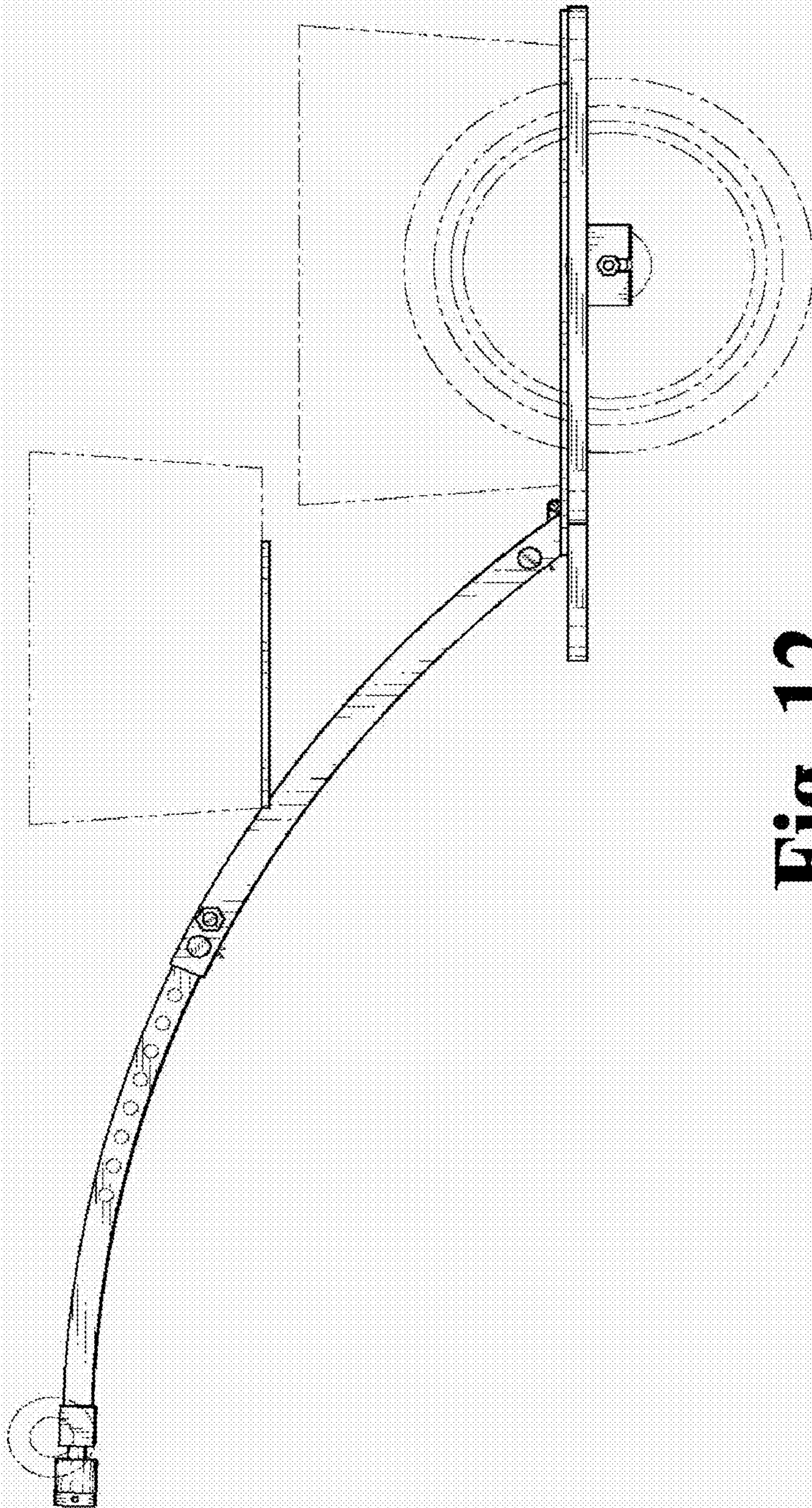


Fig. 12

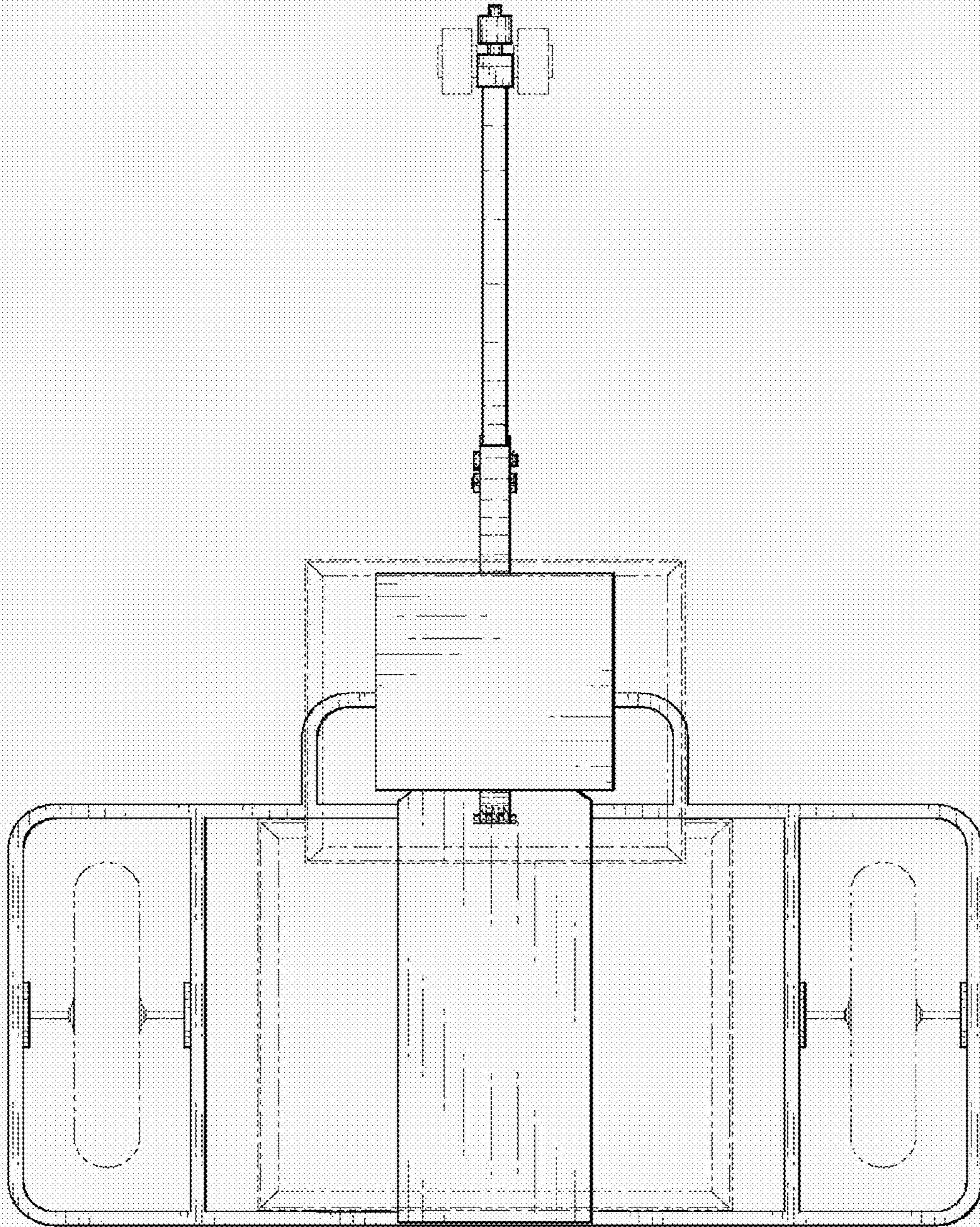


Fig. 13

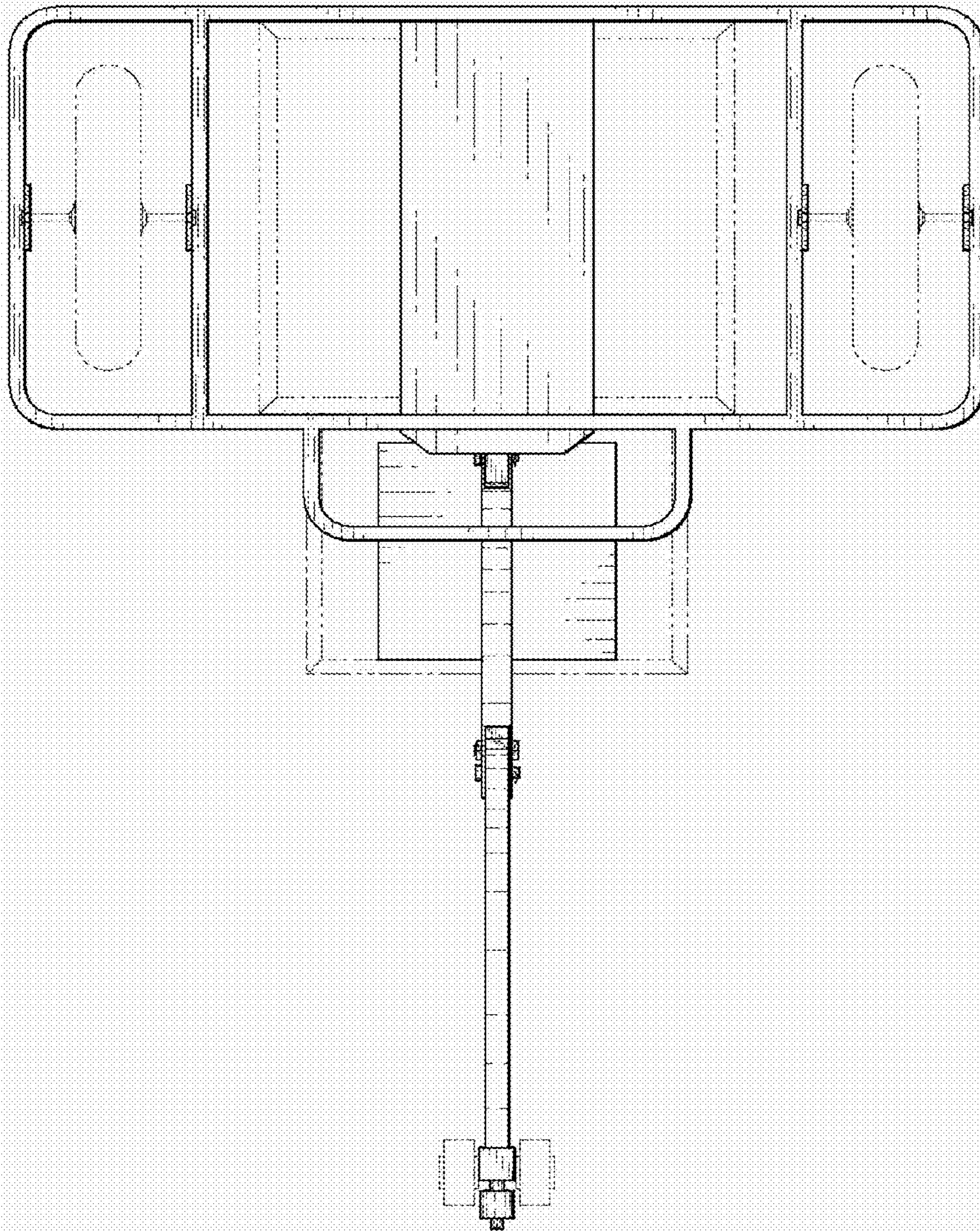


Fig. 14