

US00D660743S

(12) **United States Design Patent**
Crafton

(10) **Patent No.:** **US D660,743 S**

(45) **Date of Patent:** **** May 29, 2012**

(54) **EARRING**

(76) Inventor: **Bryan Casey Crafton**, Chevy Chase,
MD (US)

(**) Term: **14 Years**

(21) Appl. No.: **29/407,562**

(22) Filed: **Nov. 30, 2011**

(51) **LOC (9) Cl.** **11-01**

(52) **U.S. Cl.** **D11/41; D24/180**

(58) **Field of Classification Search** D11/40-48,
D11/1, 2; 63/12, 13; D24/180; 433/8-10
See application file for complete search history.

(56) **References Cited**

U.S. PATENT DOCUMENTS

D80,898	S	*	4/1930	Kaufman	D11/92
3,391,461	A	*	7/1968	Johnson	433/17
4,249,897	A	*	2/1981	Anderson	433/8
D273,472	S	*	4/1984	Goldstein	D11/75
D302,588	S	*	8/1989	Jones	D24/180
D337,741	S	*	7/1993	Garfolo	D11/86
D386,713	S	*	11/1997	Frankel et al.	D11/91
D504,950	S	*	5/2005	Lai et al.	D24/180
7,140,875	B2	*	11/2006	Lai et al.	433/8
D537,012	S	*	2/2007	Aghjayan et al.	D11/40

D601,260	S	*	9/2009	Romano et al.	D24/180
2007/0259302	A1	*	11/2007	Jayawardena	433/10
2010/0178628	A1	*	7/2010	Kim	433/10

* cited by examiner

Primary Examiner — Cathron Brooks

Assistant Examiner — Melanie Pellegrini

(74) *Attorney, Agent, or Firm* — Garcia-Zamor IP Law; Ruy M. Garcia-Zamor

(57) **CLAIM**

I claim a new ornamental design for an earring, as shown and described.

DESCRIPTION

FIG. 1 is a perspective view of an earring showing my new design;

FIG. 2 is a front elevational view of the earring of FIG. 1;

FIG. 3 is a rear elevational view of the earring of FIG. 1;

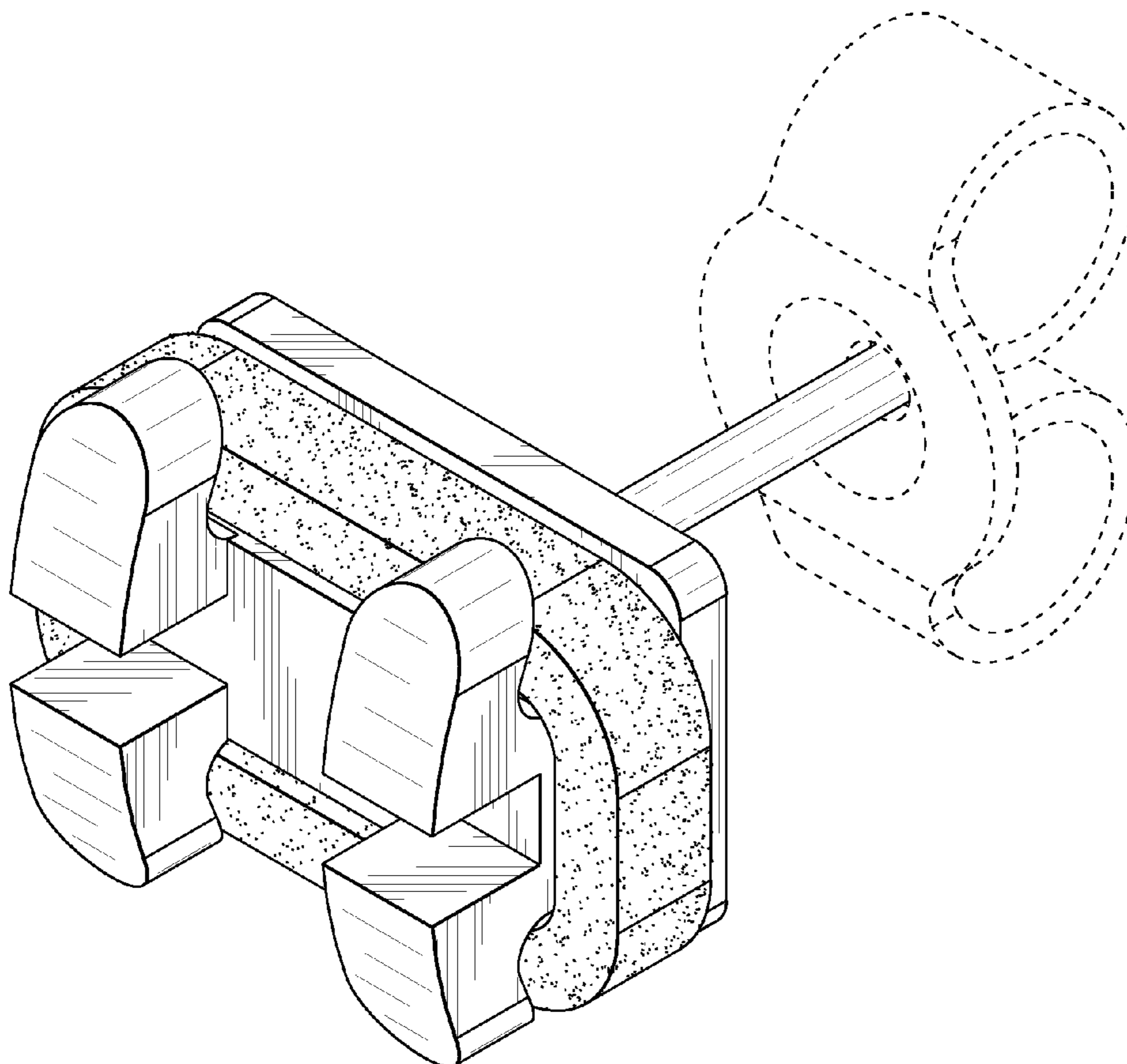
FIG. 4 is a left side elevational view of the earring of FIG. 1; the right side elevational view of the earring of FIG. 1 is a mirror image of FIG. 4;

FIG. 5 is a top plan view of the earring of FIG. 1; and,

FIG. 6 is a bottom plan view of the earring of FIG. 1.

The broken lines shown on the drawings represent portions of the earring which form no part of the claimed design.

1 Claim, 3 Drawing Sheets



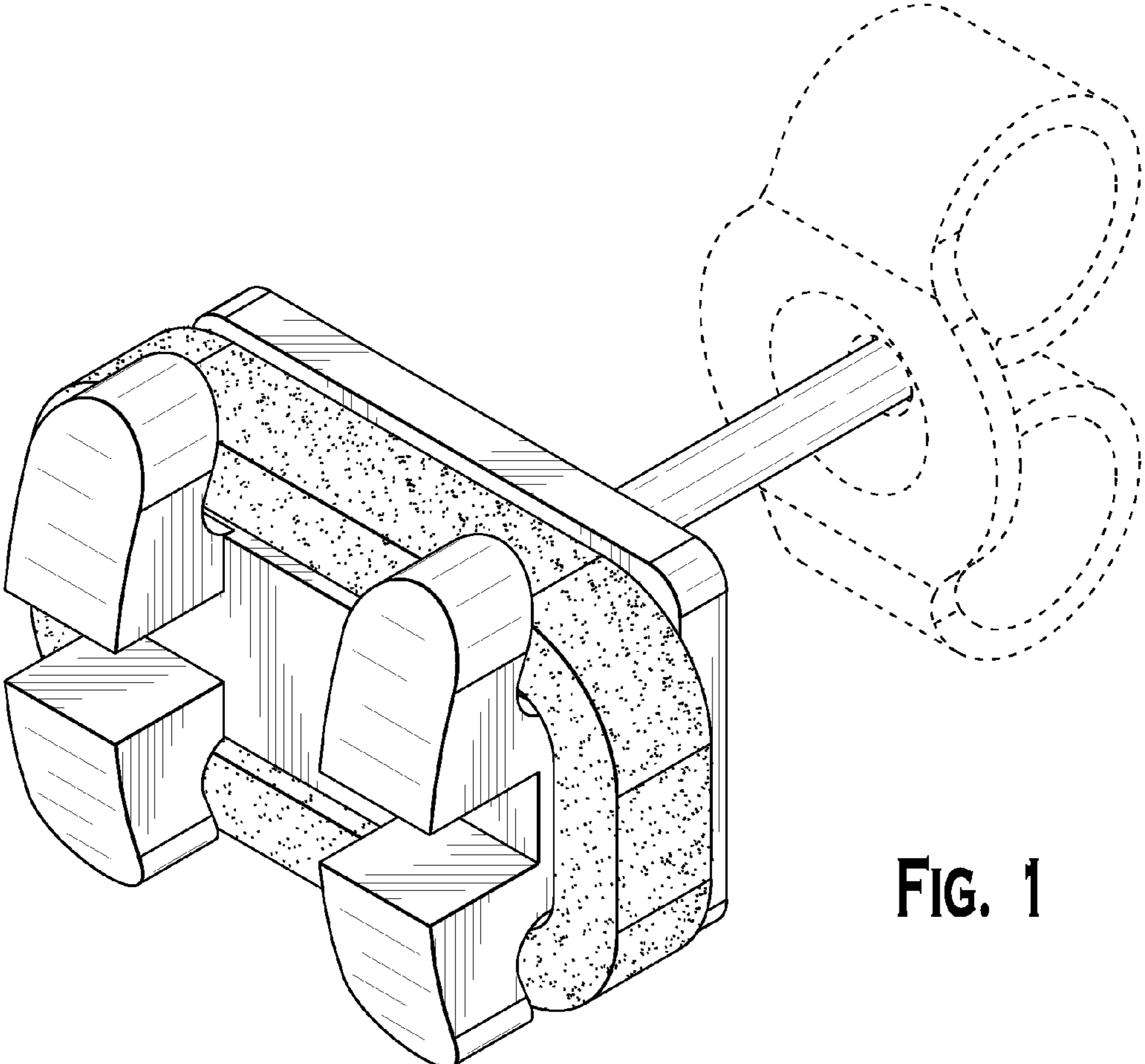


FIG. 1

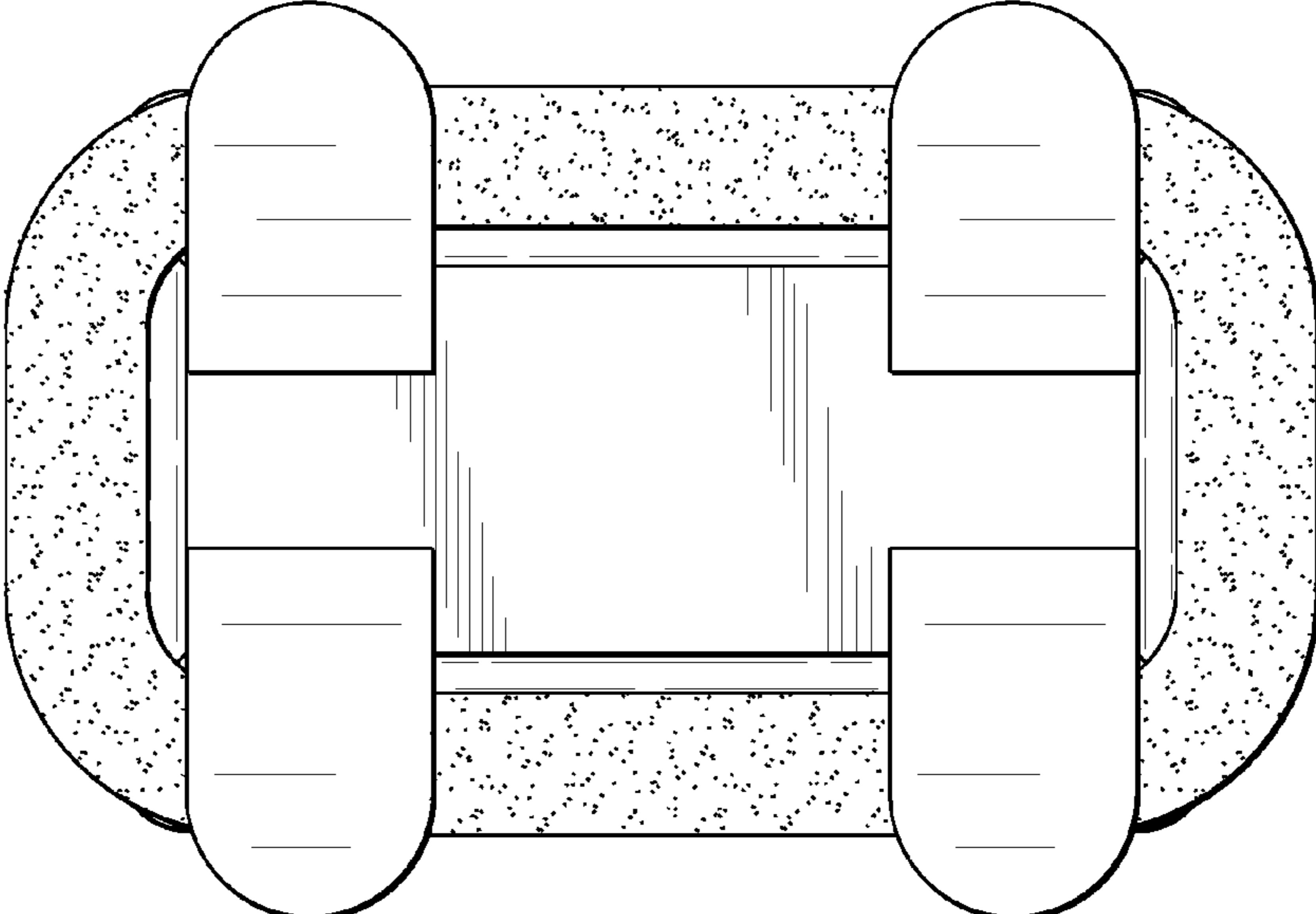


FIG. 2

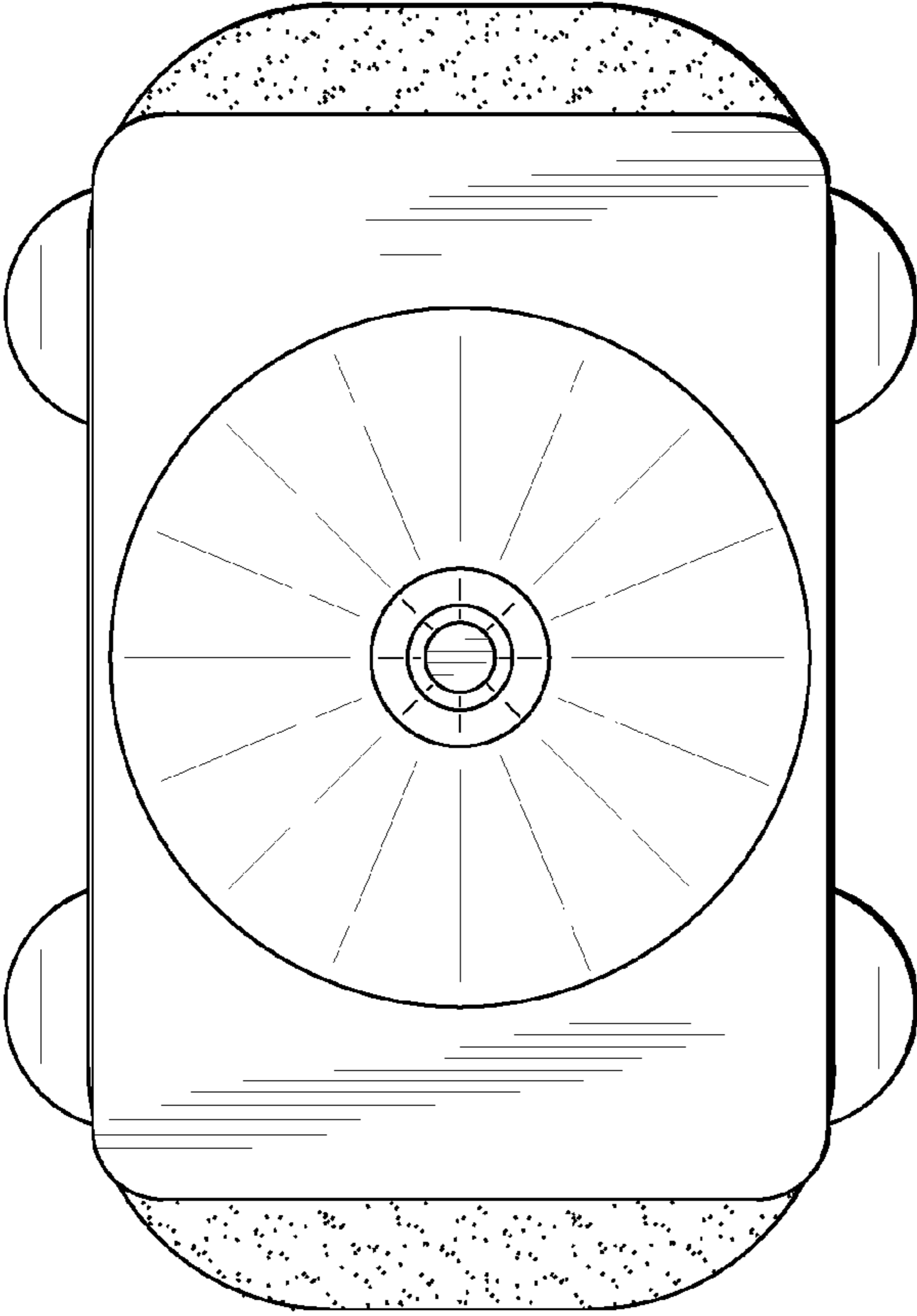


FIG. 3

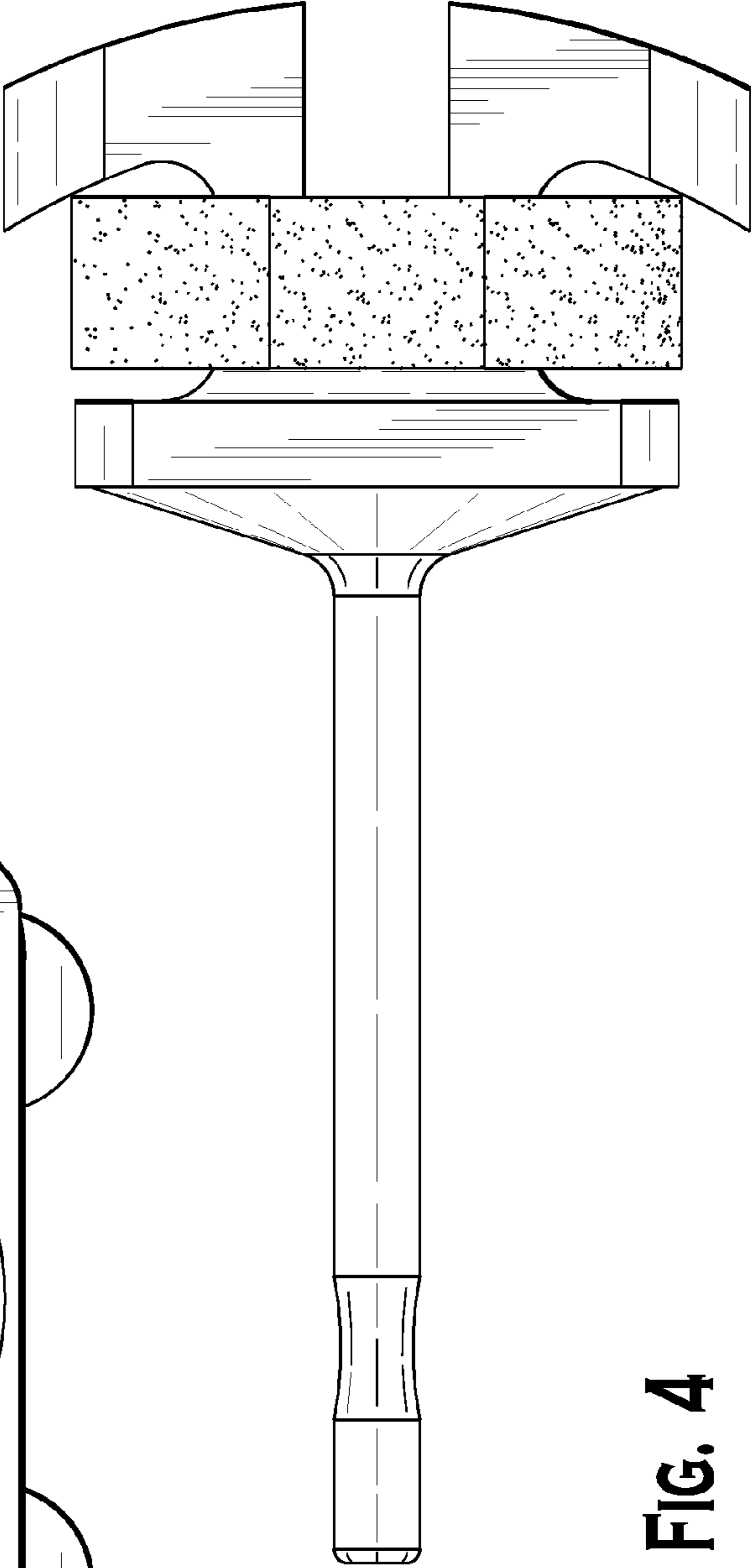


FIG. 4

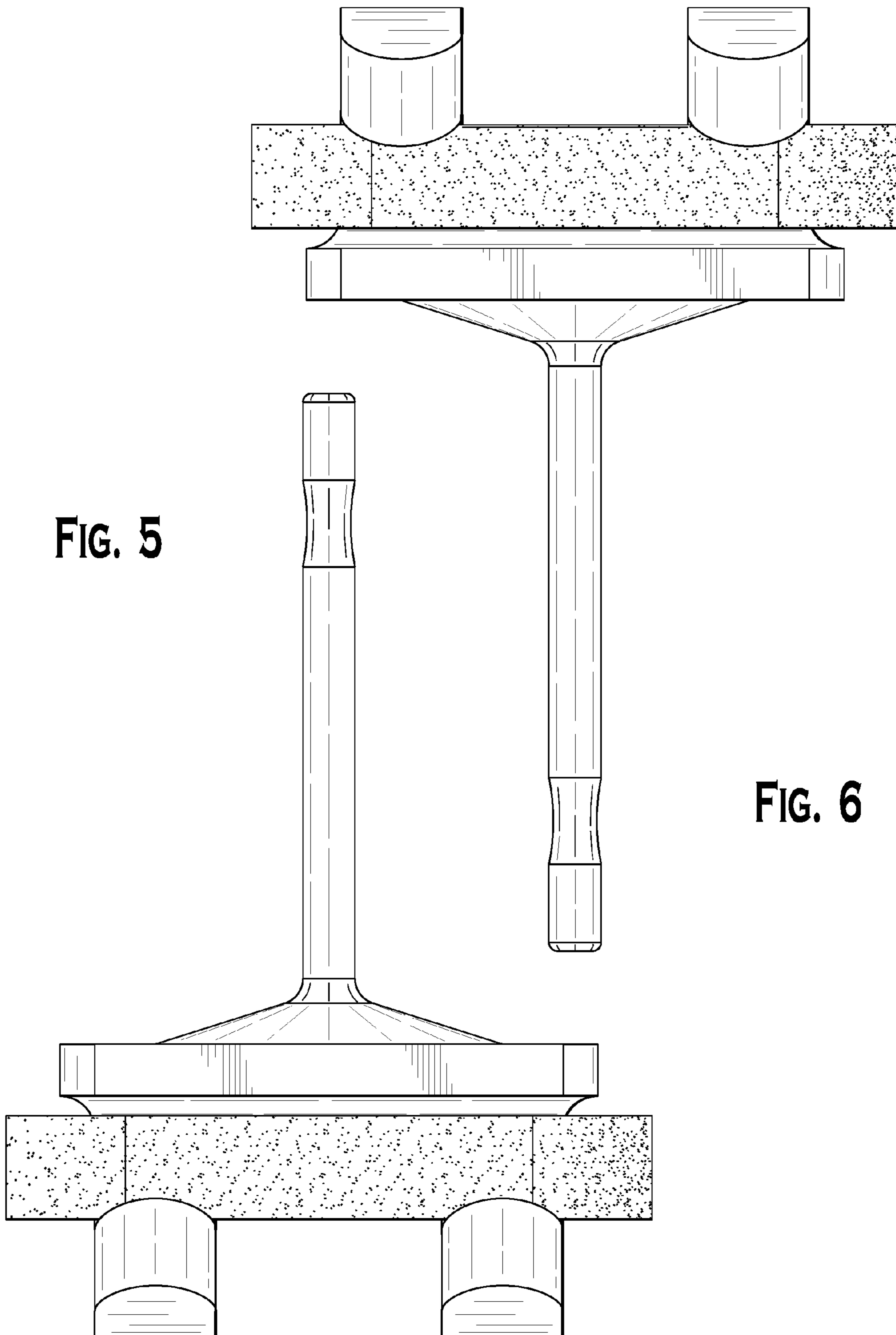


FIG. 5

FIG. 6