



US00D660740S

(12) **United States Design Patent**
Cullen et al.

(10) **Patent No.:** **US D660,740 S**

(45) **Date of Patent:** **** May 29, 2012**

(54) **BRACELET**

(76) Inventors: **Jessica Cullen**, Milford, MA (US);
Richard Yancey, Milford, MA (US)

(**) Term: **14 Years**

(21) Appl. No.: **29/393,646**

(22) Filed: **Jun. 7, 2011**

(51) **LOC (9) Cl.** **11-01**

(52) **U.S. Cl.** **D11/3**

(58) **Field of Classification Search** D11/1-39;
63/3, 3.1, 3.2, 5, 15.1-15.4, 15.45, 15.5,
63/15.6, 15.65, 15.71

See application file for complete search history.

(56) **References Cited**

U.S. PATENT DOCUMENTS

1,060,229	A *	4/1913	Casper et al.	D11/6
D260,620	S *	9/1981	Blum	D11/3
D394,411	S *	5/1998	Gozlan	D11/4
D431,208	S *	9/2000	Akashi et al.	D11/220
D482,298	S *	11/2003	Matsui et al.	D11/220
D487,567	S *	3/2004	Matsui et al.	D11/220
D495,972	S *	9/2004	Pettingill	D11/220
D566,526	S *	4/2008	Robbins et al.	D8/354
D618,128	S *	6/2010	Clark et al.	D11/3

* cited by examiner

Primary Examiner — Cathron Brooks

Assistant Examiner — Melanie Pellegrini

(74) *Attorney, Agent, or Firm* — QuickPatents, Inc.; Kevin Prince

(57) **CLAIM**

I claim the ornamental design for a bracelet, as shown and described.

DESCRIPTION

FIG. 1 is a perspective view of a bracelet, showing my new design;

FIG. 2 is a top plan view thereof;

FIG. 3 is a bottom plan view thereof;

FIG. 4 is a left-side elevational view thereof, the right-side elevational view being a mirror image thereof;

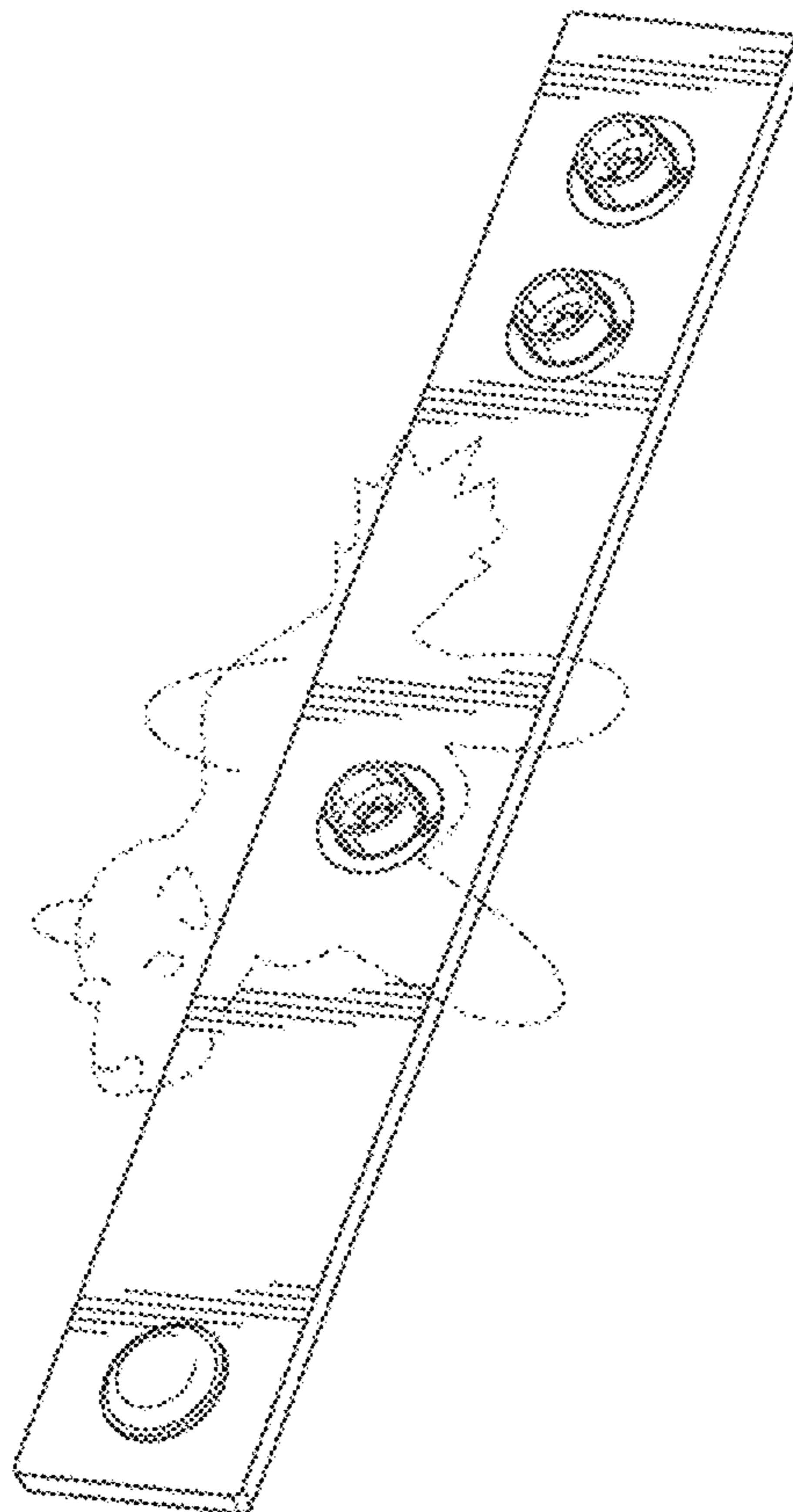
FIG. 5 is a front elevational view thereof;

FIG. 6 is a rear elevational view thereof; and,

FIG. 7 is an alternate perspective view thereof.

The broken lines showing a plush toy in FIG. 1 depict environmental matter and form no part of the claimed design.

1 Claim, 4 Drawing Sheets



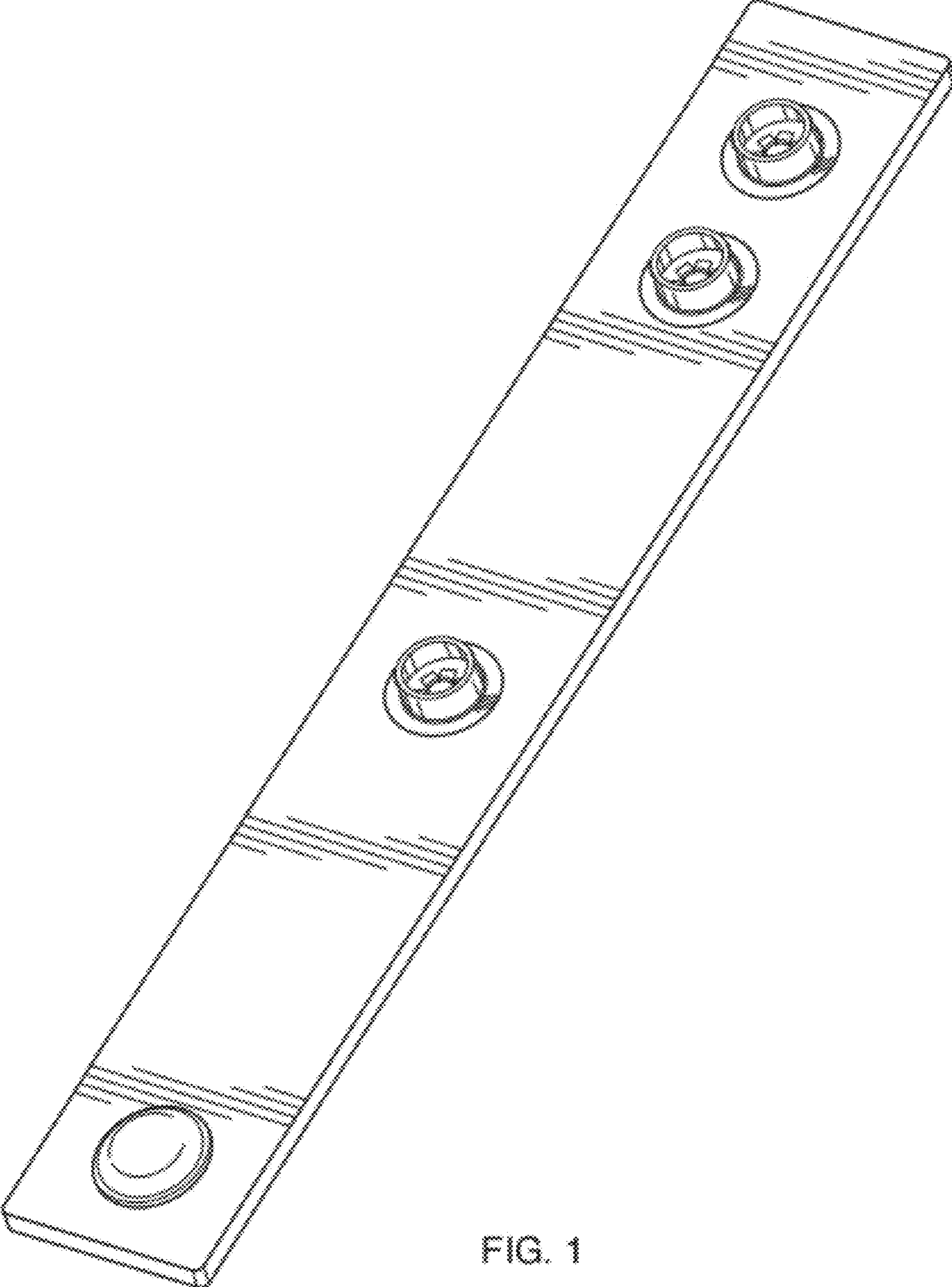


FIG. 1

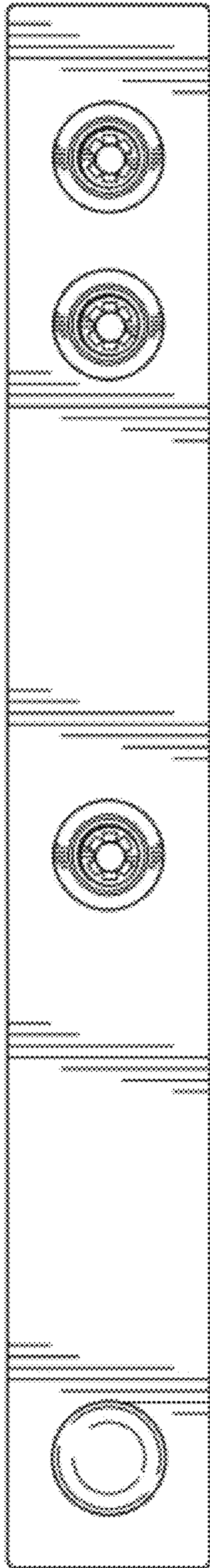


FIG. 2

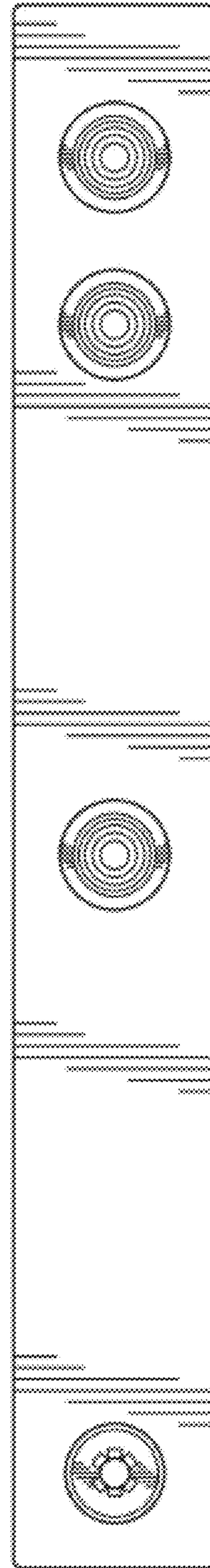


FIG. 3



FIG. 4



FIG. 6



FIG. 5

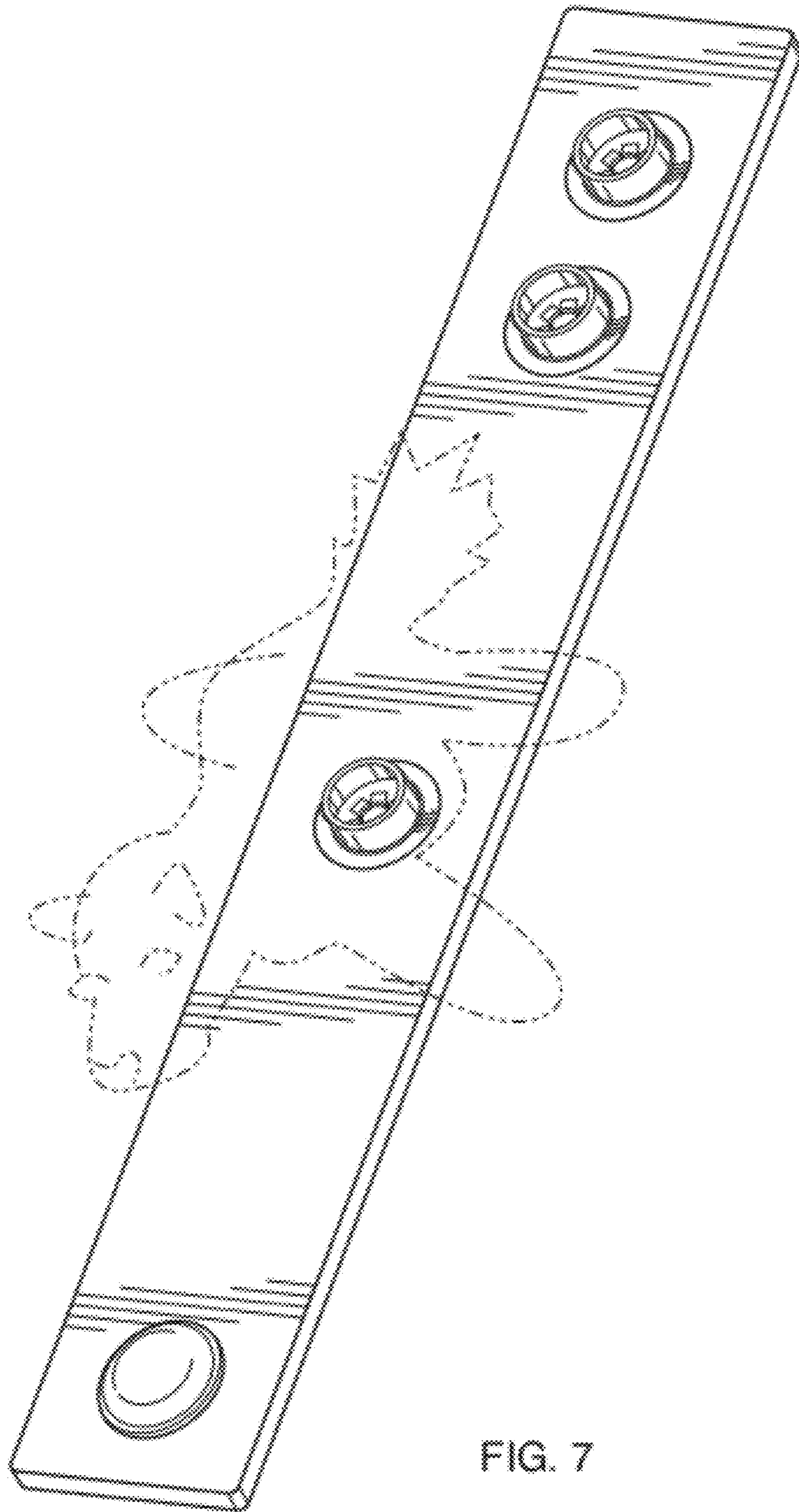


FIG. 7