

US00D660736S

(12) **United States Design Patent**  
**Lee et al.**

(10) **Patent No.:** **US D660,736 S**  
(45) **Date of Patent:** **\*\* May 29, 2012**

(54) **ELEVATOR INDICATOR**

(75) Inventors: **Se Heon Lee**, Gunpo (KR); **Han Woo Lee**, Guri (KR)

(73) Assignee: **Otis Elevator Company**, Farmington, CT (US)

(\*\*) Term: **14 Years**

(21) Appl. No.: **29/402,474**

(22) Filed: **Sep. 23, 2011**

(30) **Foreign Application Priority Data**

May 16, 2011 (KR) ..... 30-2011-0019715

(51) **LOC (9) Cl.** ..... **10-05**

(52) **U.S. Cl.** ..... **D10/108**

(58) **Field of Classification Search** ..... D10/108;  
D13/174, 175, 162, 162.1, 164; D14/371,  
D14/383, 388-390, 198, 247, 307; D18/6-7,  
D18/24-32; 40/541, 552, 611.06; 187/396-397,  
187/389-391, 380; D20/10; D6/470, 314;  
52/631

See application file for complete search history.

(56) **References Cited**

U.S. PATENT DOCUMENTS

811,264 A \* 1/1906 Waterhouse ..... 40/611.06  
1,904,850 A \* 4/1933 Boyce et al. .... 40/552  
1,981,494 A \* 11/1934 Berg ..... 52/631  
D382,501 S \* 8/1997 Clement ..... D10/109.1

\* cited by examiner

*Primary Examiner* — Caron D Veynar

*Assistant Examiner* — George Kirschbaum

(74) *Attorney, Agent, or Firm* — Carlson, Gaskey & Olds PC

(57) **CLAIM**

We claim the ornamental design for an elevator indicator, as shown and described.

**DESCRIPTION**

FIG. 1 is a perspective view of an elevator indicator including an example raised symbol.

FIG. 2 is a front view of the elevator indicator of FIG. 1.

FIG. 3 is a top view of the elevator indicator of FIG. 1.

FIG. 4 is a bottom view of the elevator indicator of FIG. 1.

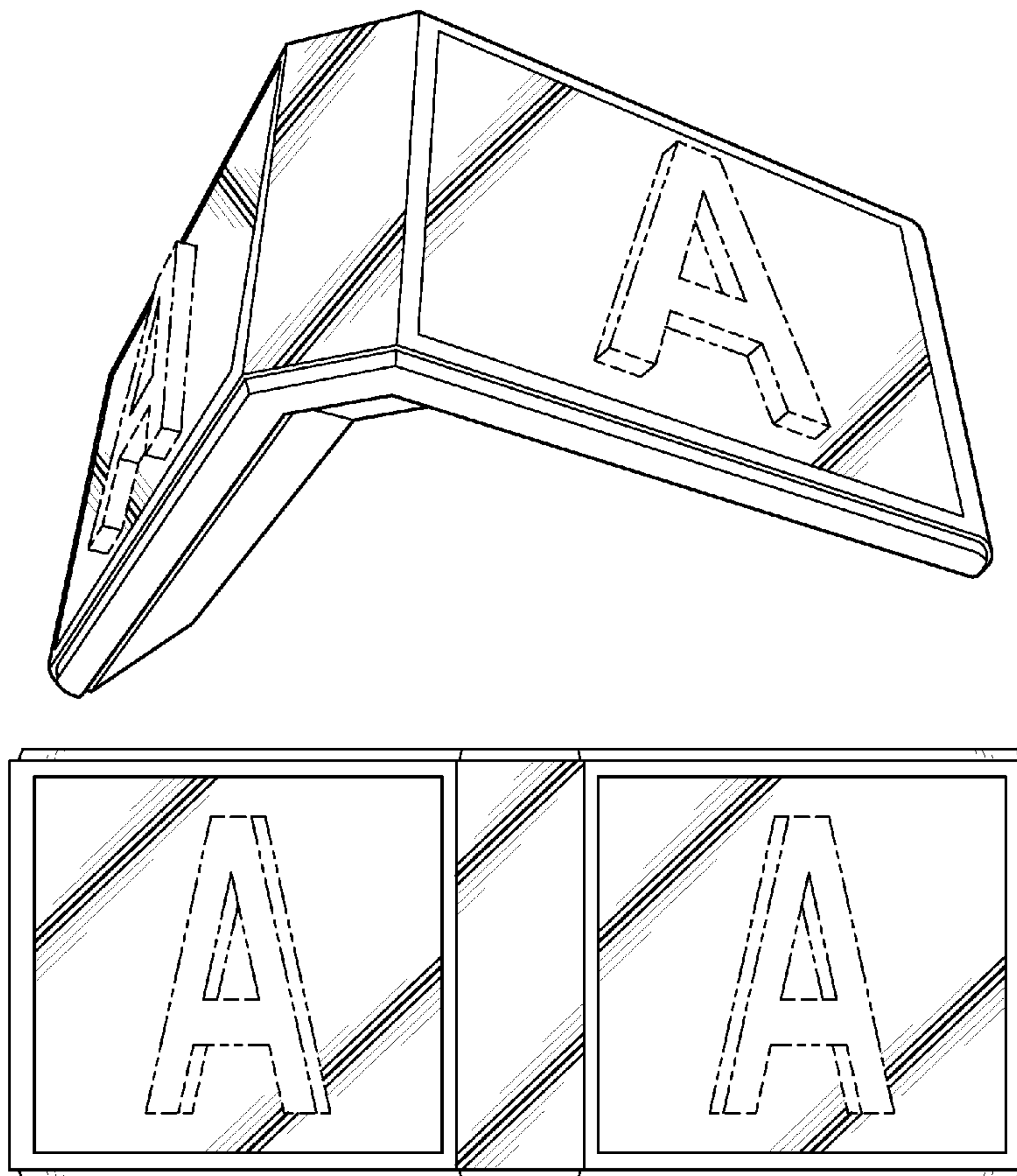
FIG. 5 is a rear view of the elevator indicator of FIG. 1.

FIG. 6 is a left side view of the elevator indicator of FIG. 1;

and,

FIG. 7 is a right side view of the elevator indicator of FIG. 1.

**1 Claim, 2 Drawing Sheets**



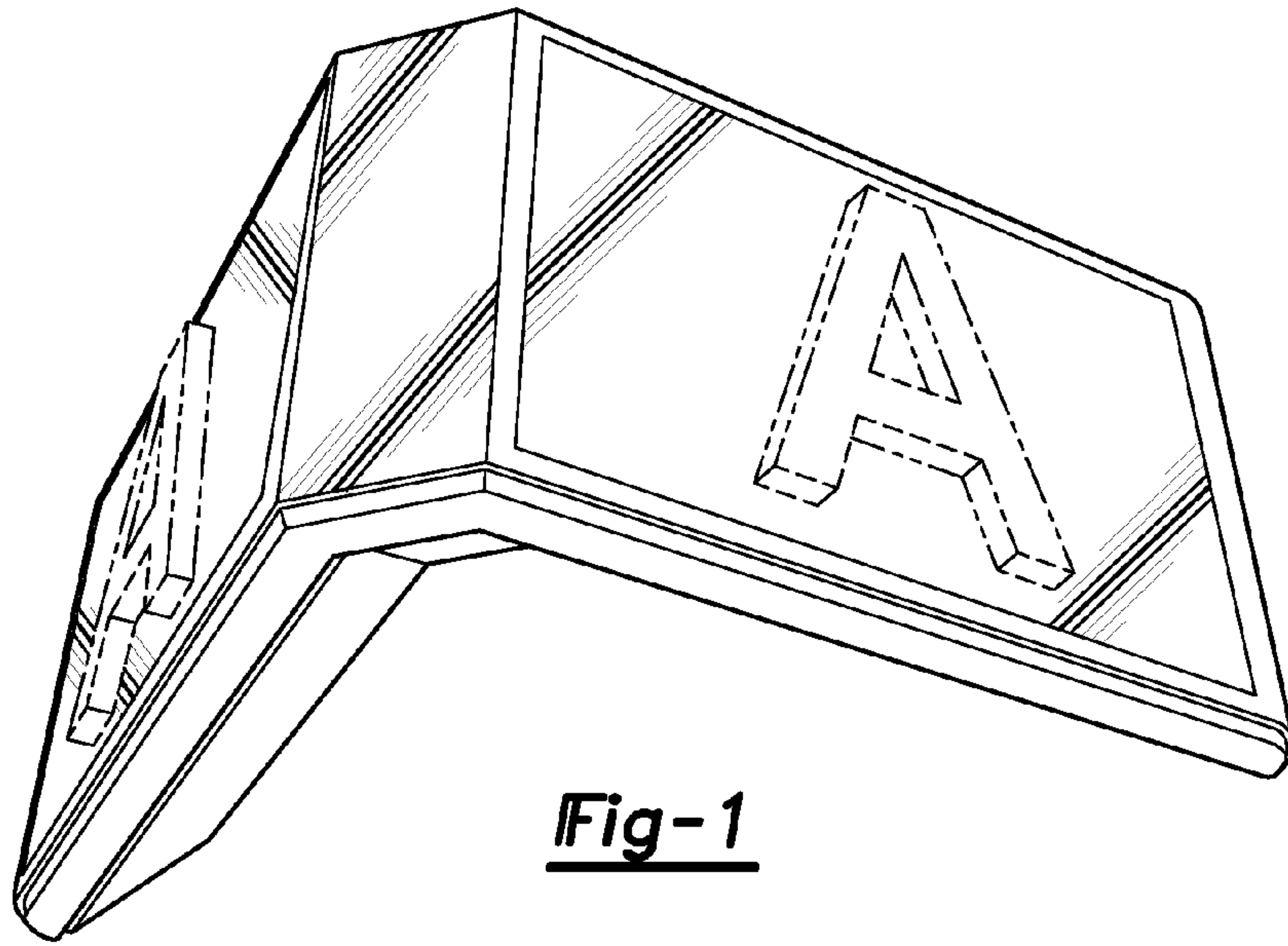


Fig-1

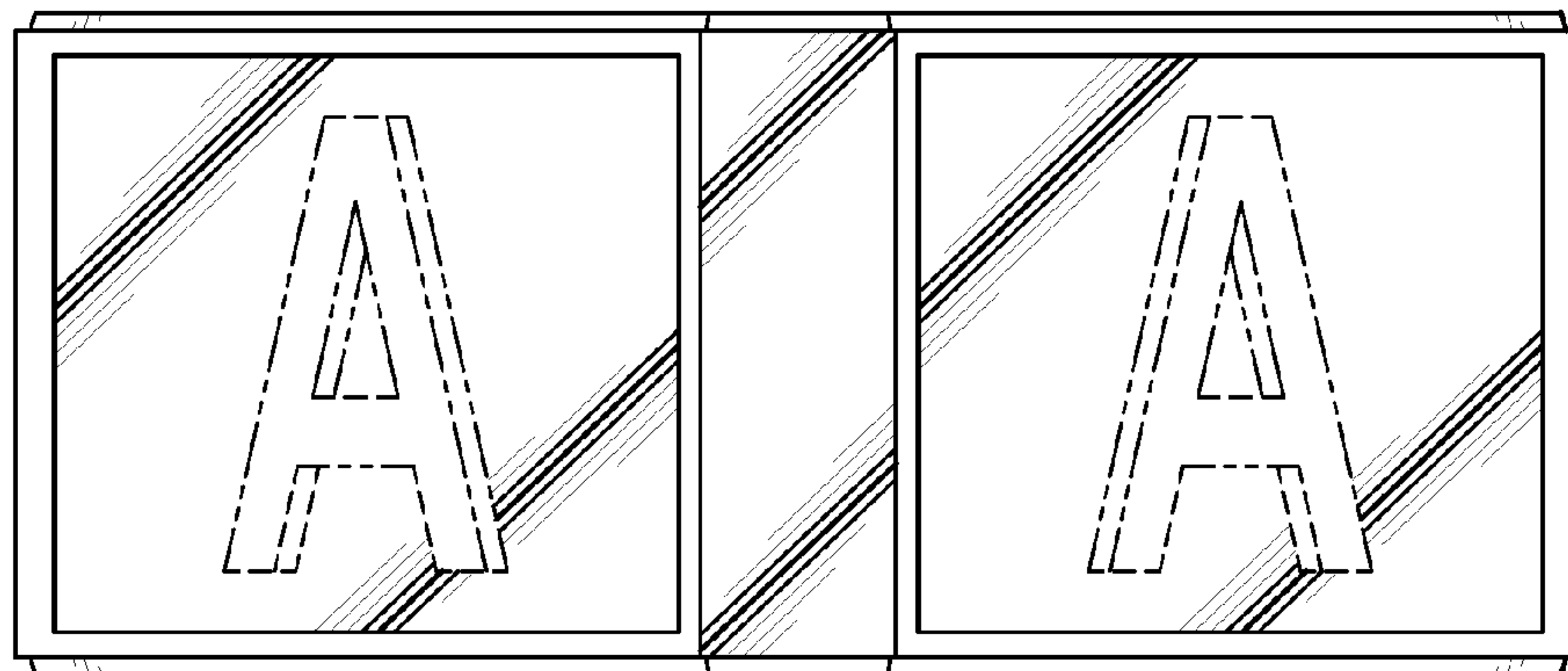


Fig-2

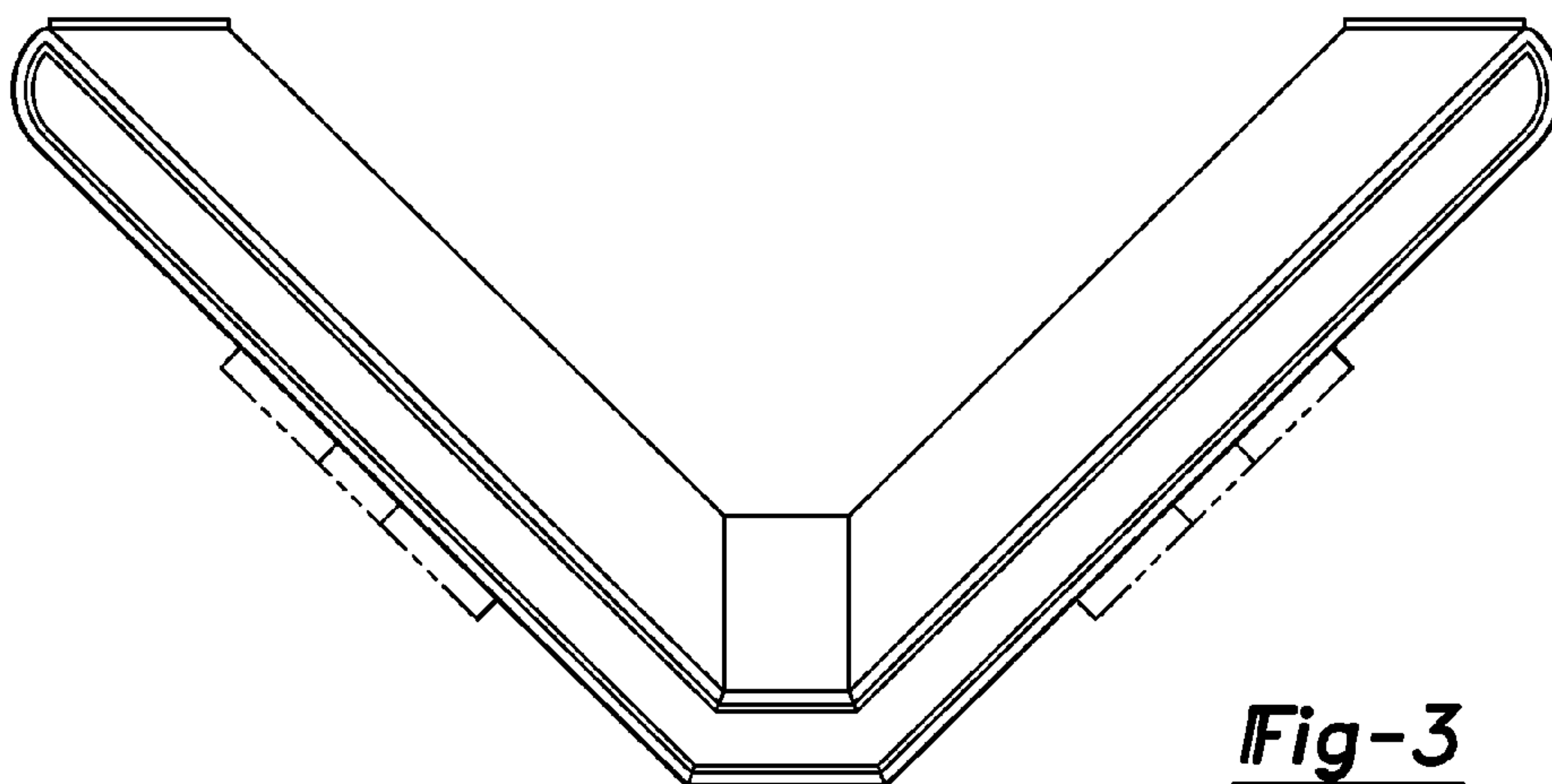


Fig-3

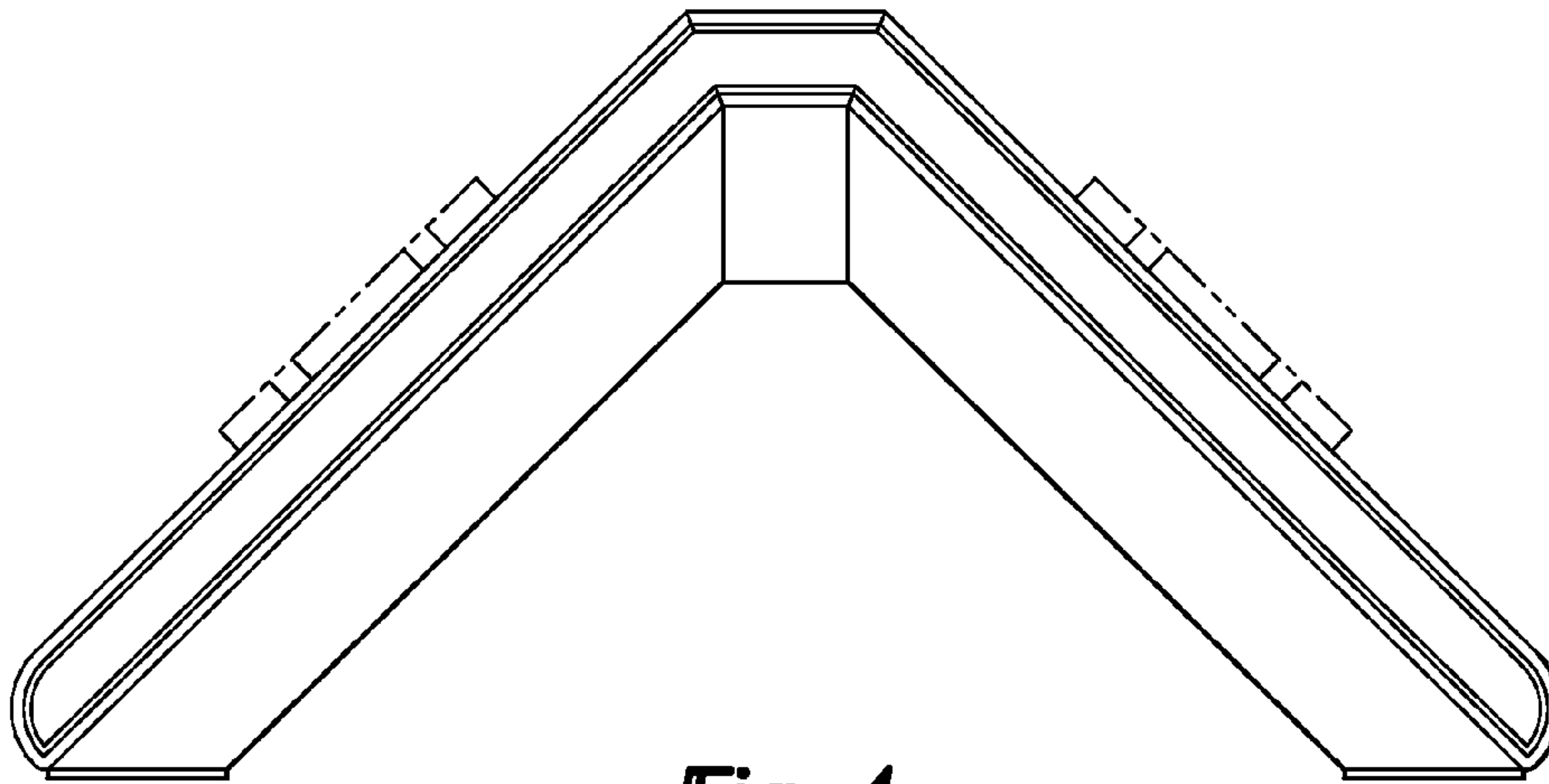


Fig-4

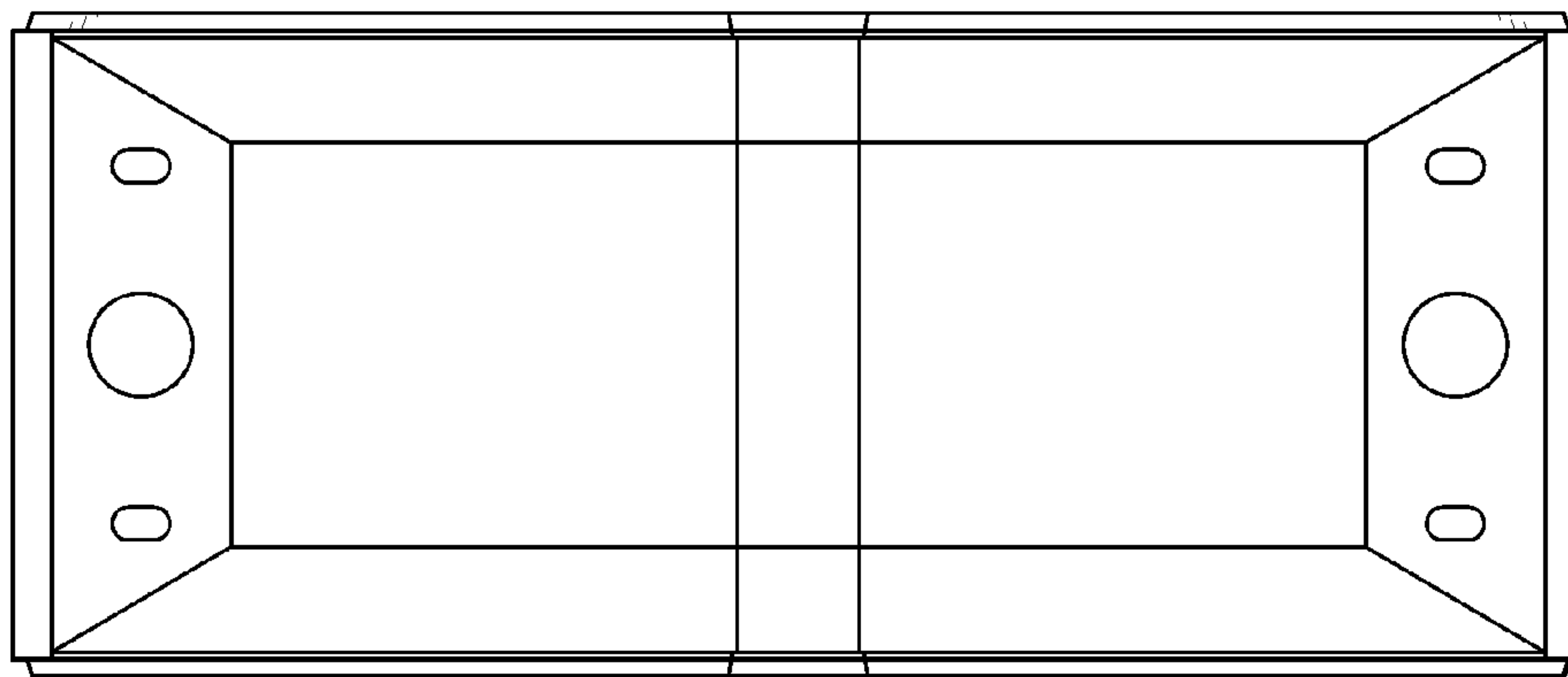


Fig-5

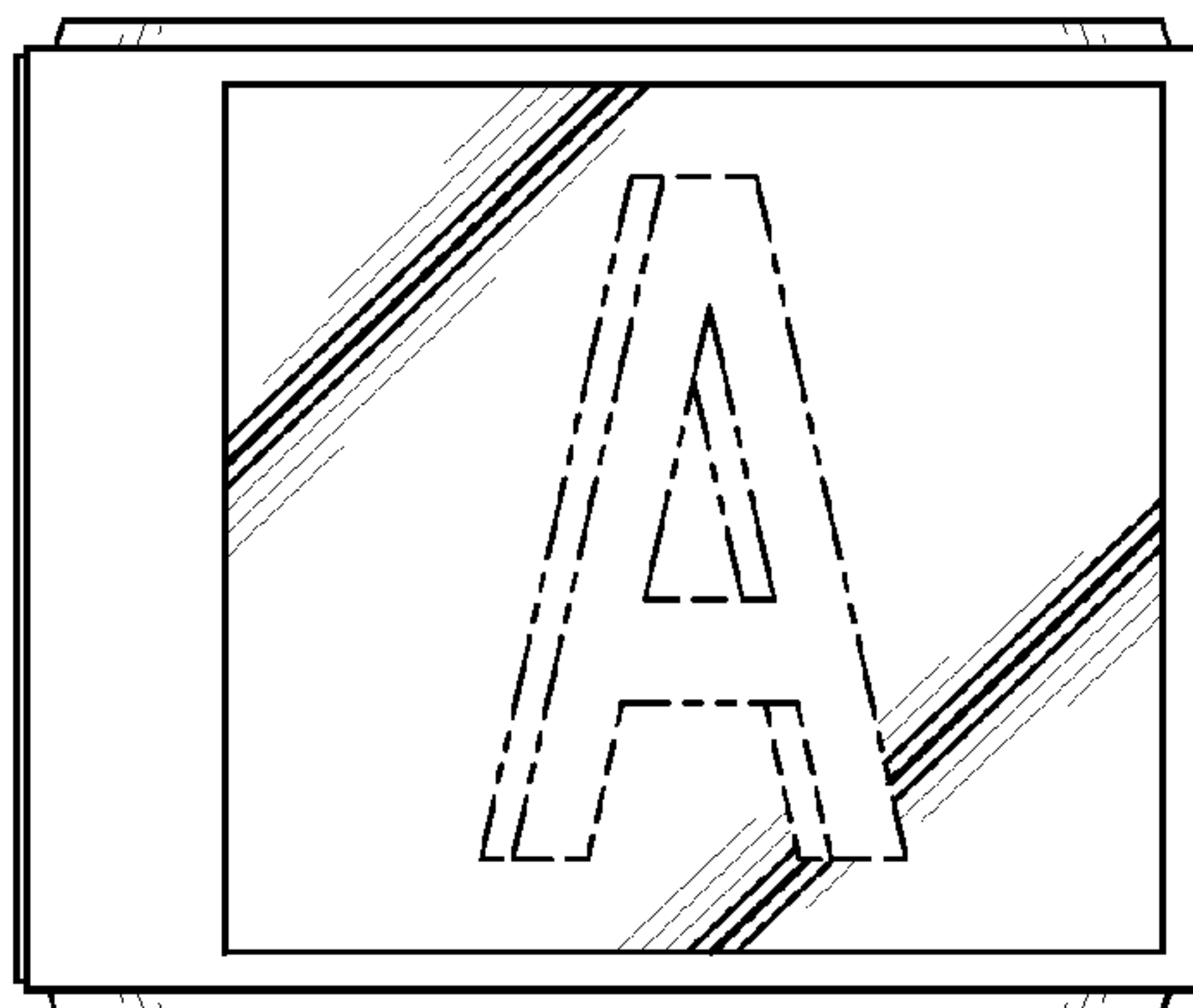


Fig-6

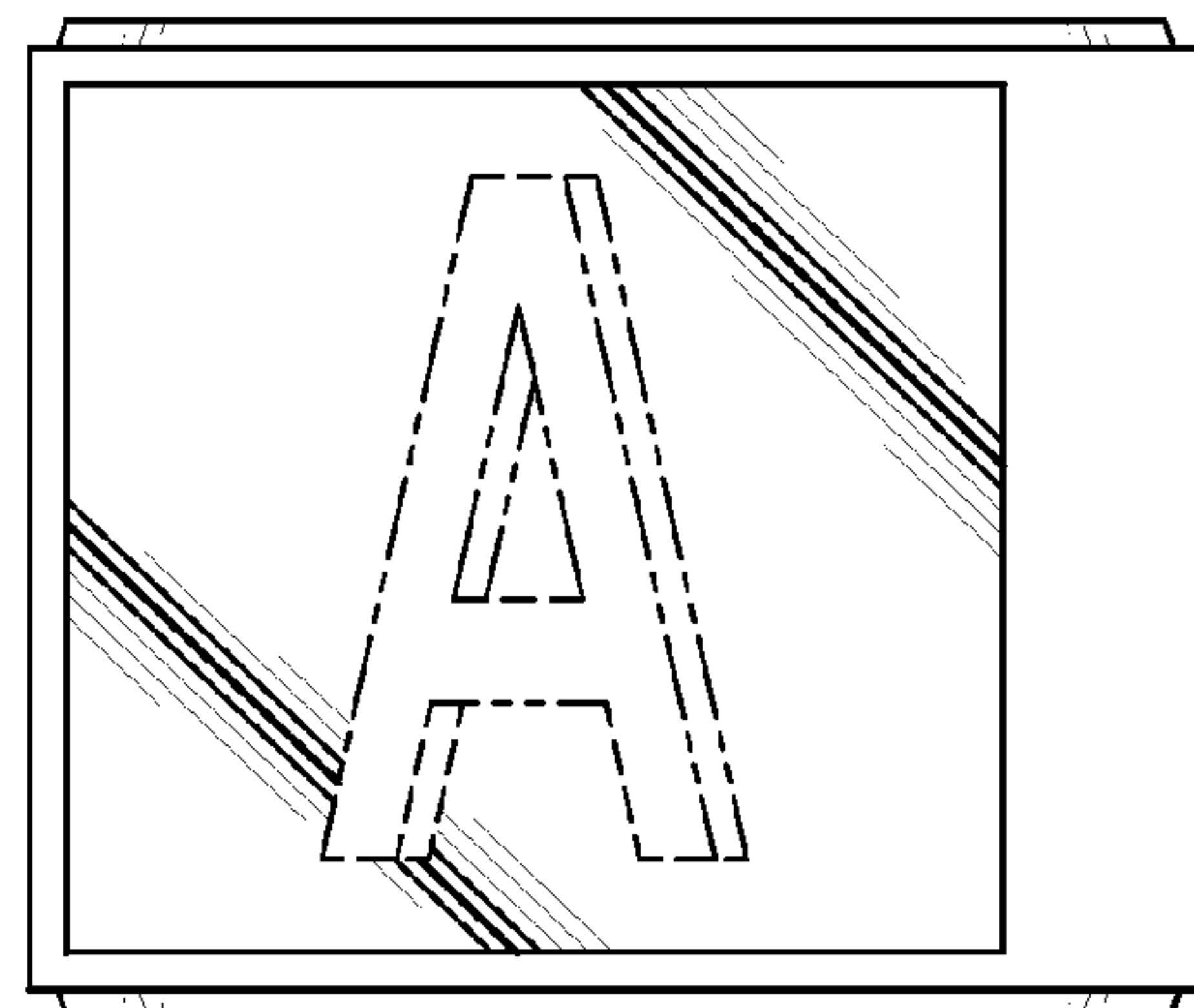


Fig-7