



US00D660735S

(12) **United States Design Patent**
Petrillo

(10) **Patent No.:** **US D660,735 S**

(45) **Date of Patent:** **** May 29, 2012**

(54) **TAPE MEASURE WITH TRAMMEL-CHALK ATTACHMENT**

D464,579 S * 10/2002 Martone D10/72
D584,647 S * 1/2009 Garcia et al. D10/72
2003/0182811 A1 10/2003 Hairapetian

* cited by examiner

(76) Inventor: **Daniel Petrillo**, Perth (AU)

Primary Examiner — Antoine D Davis

(**) Term: **14 Years**

(57) **CLAIM**

(21) Appl. No.: **29/369,150**

The ornamental design for a tape measure with trammel-chalk attachment, as shown and described.

(22) Filed: **Sep. 2, 2010**

DESCRIPTION

(51) **LOC (9) Cl.** **10-04**

(52) **U.S. Cl.** **D10/72**

(58) **Field of Classification Search** D10/72,
D10/74; 33/755-771; 242/285, 291, 379,
242/379.1, 379.2, 381, 381.1-381.6, 405
See application file for complete search history.

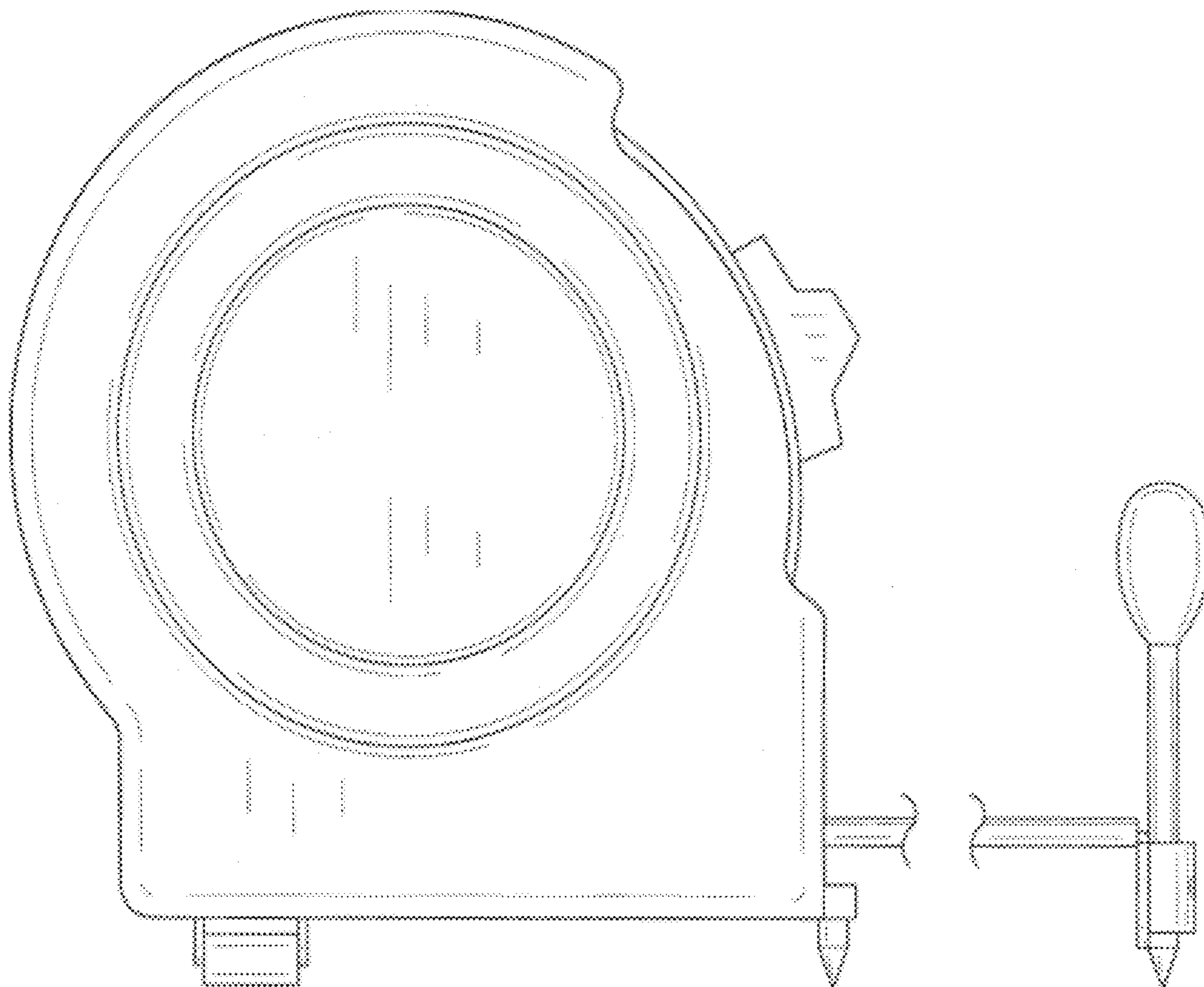
FIG. 1 is a front elevation view of a tape measure with trammel-chalk attachment showing my new design; FIG. 2 is a rear elevation view thereof; FIG. 3 is a right elevation view thereof; FIG. 4 is a left elevation view thereof; FIG. 5 is top plan view thereof; and, FIG. 6 is a bottom plan view thereof. the tape measure with trammel-chalk attachment is shown in fragmentary form, portions thereof having been eliminated for ease of illustration.

(56) **References Cited**

U.S. PATENT DOCUMENTS

2,349,670	A	5/1944	Moxey
2,934,827	A	5/1960	Barto
4,547,973	A	10/1985	Owens
5,782,007	A	7/1998	Harris

1 Claim, 4 Drawing Sheets



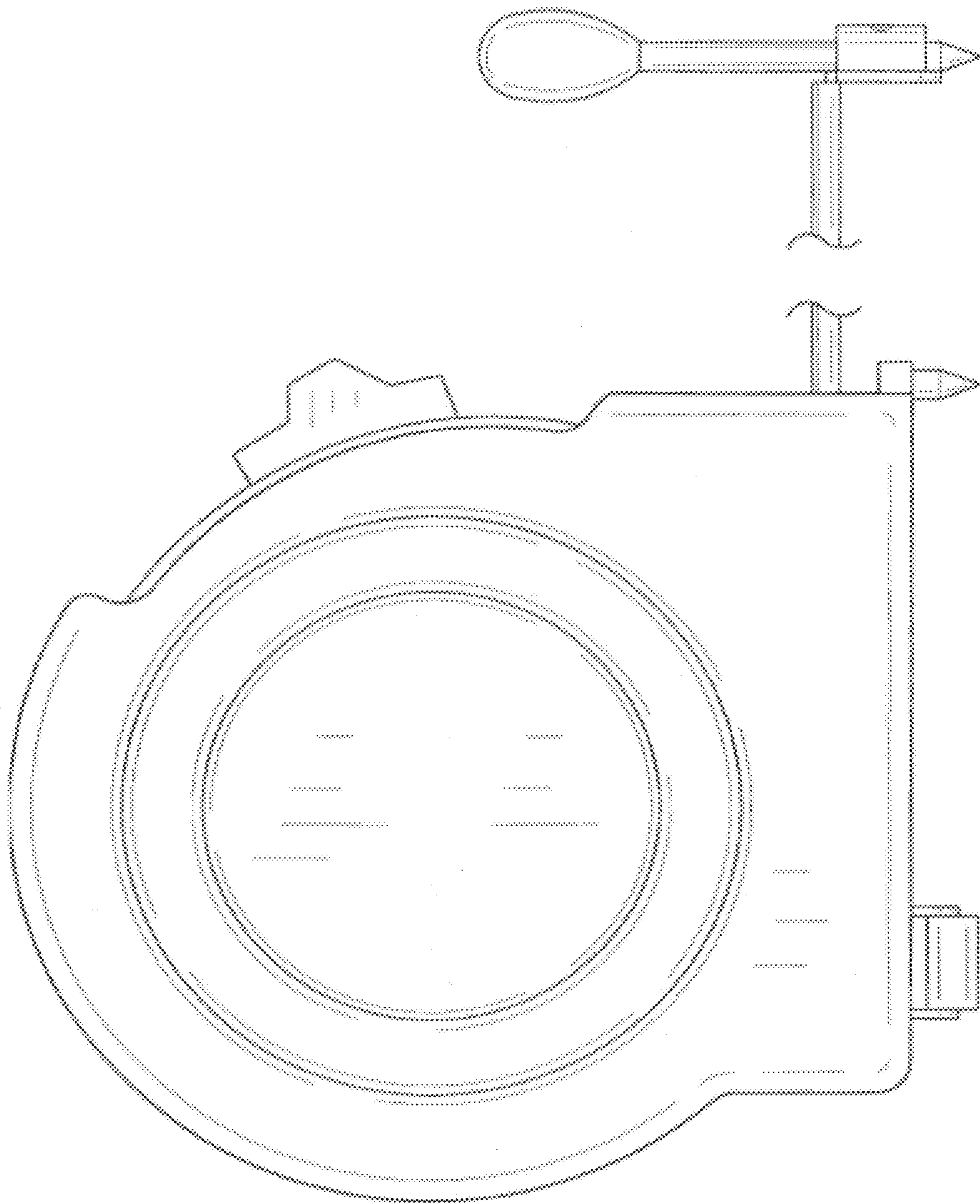


FIG. 1

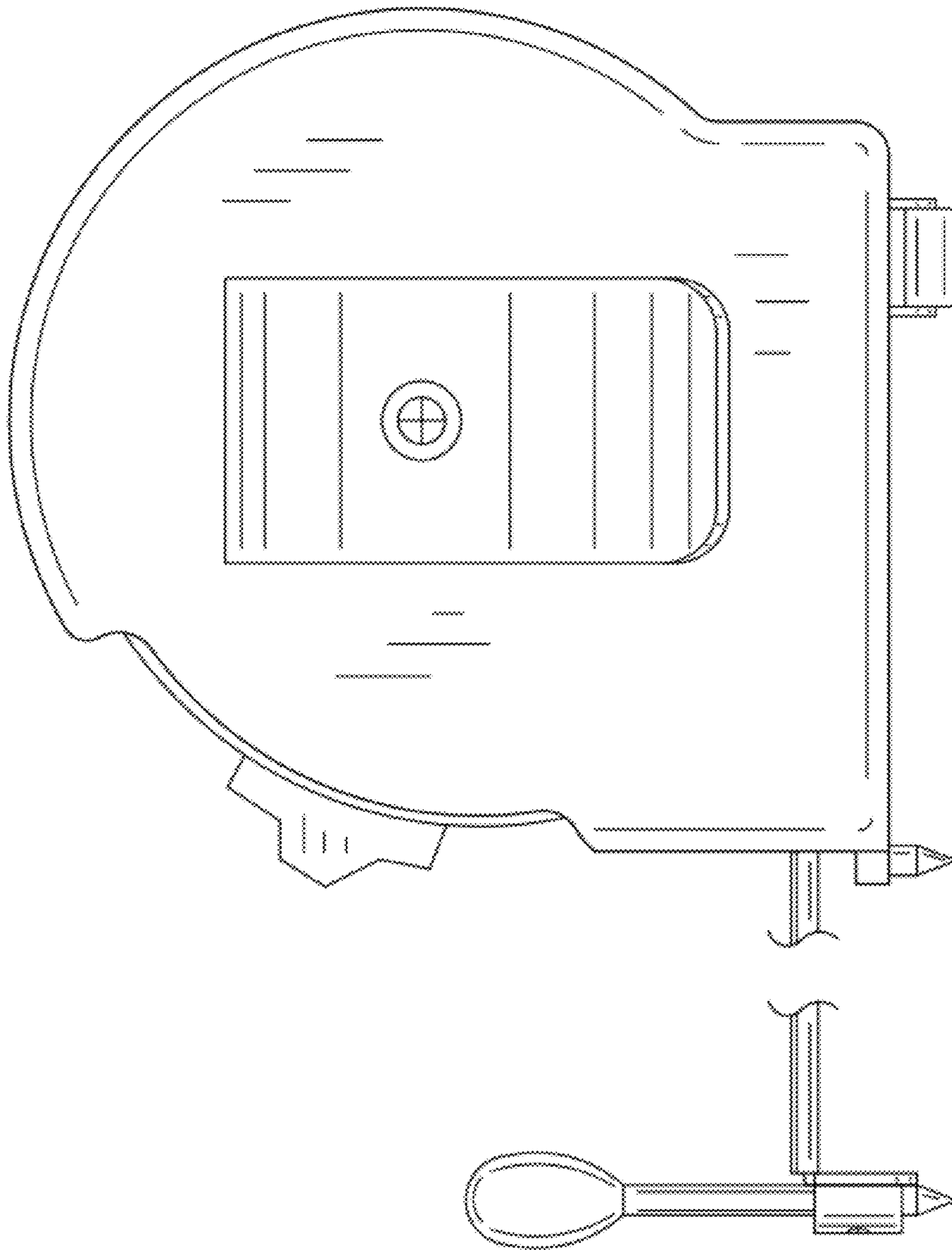


FIG. 2

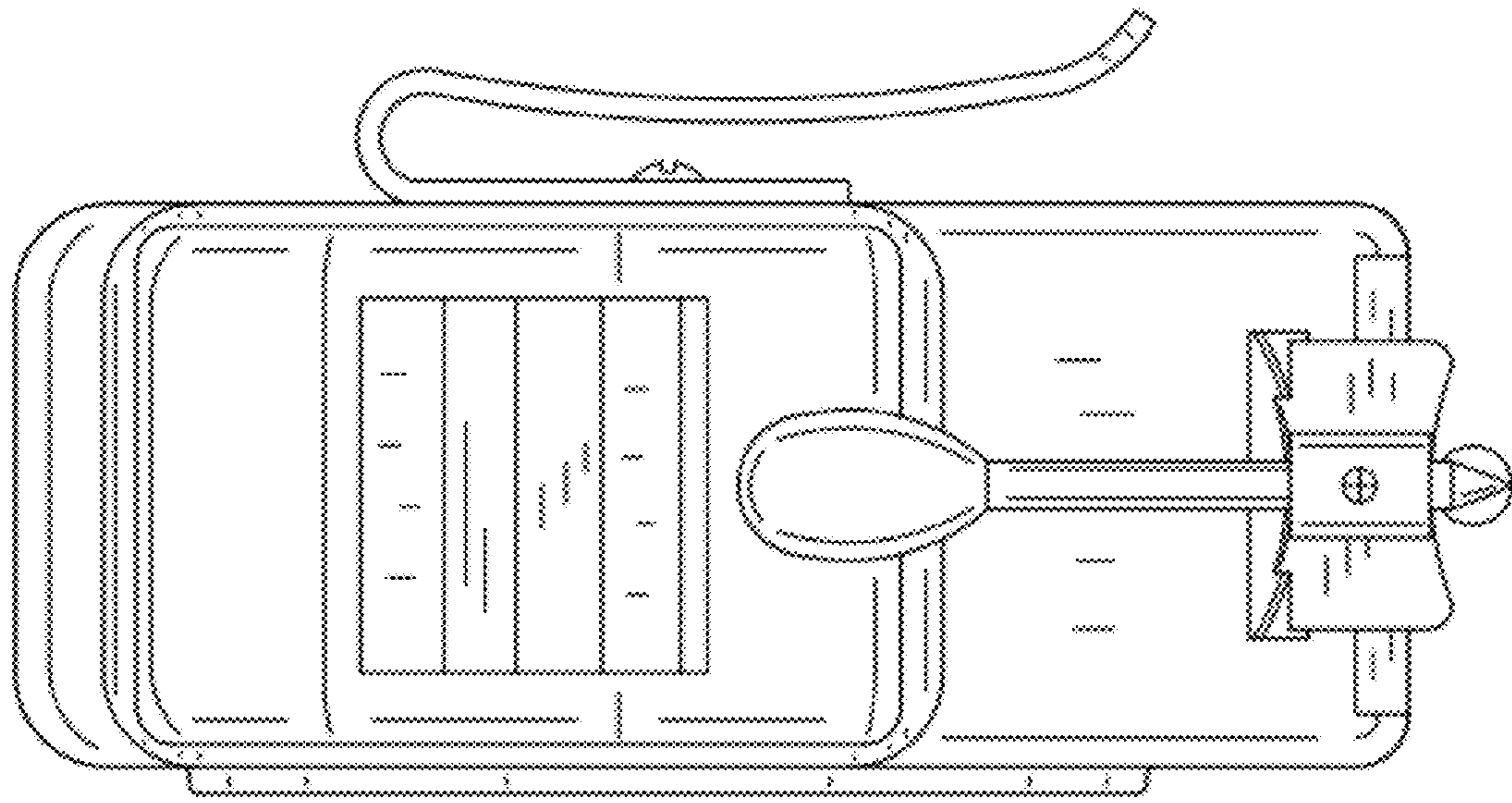


FIG. 4

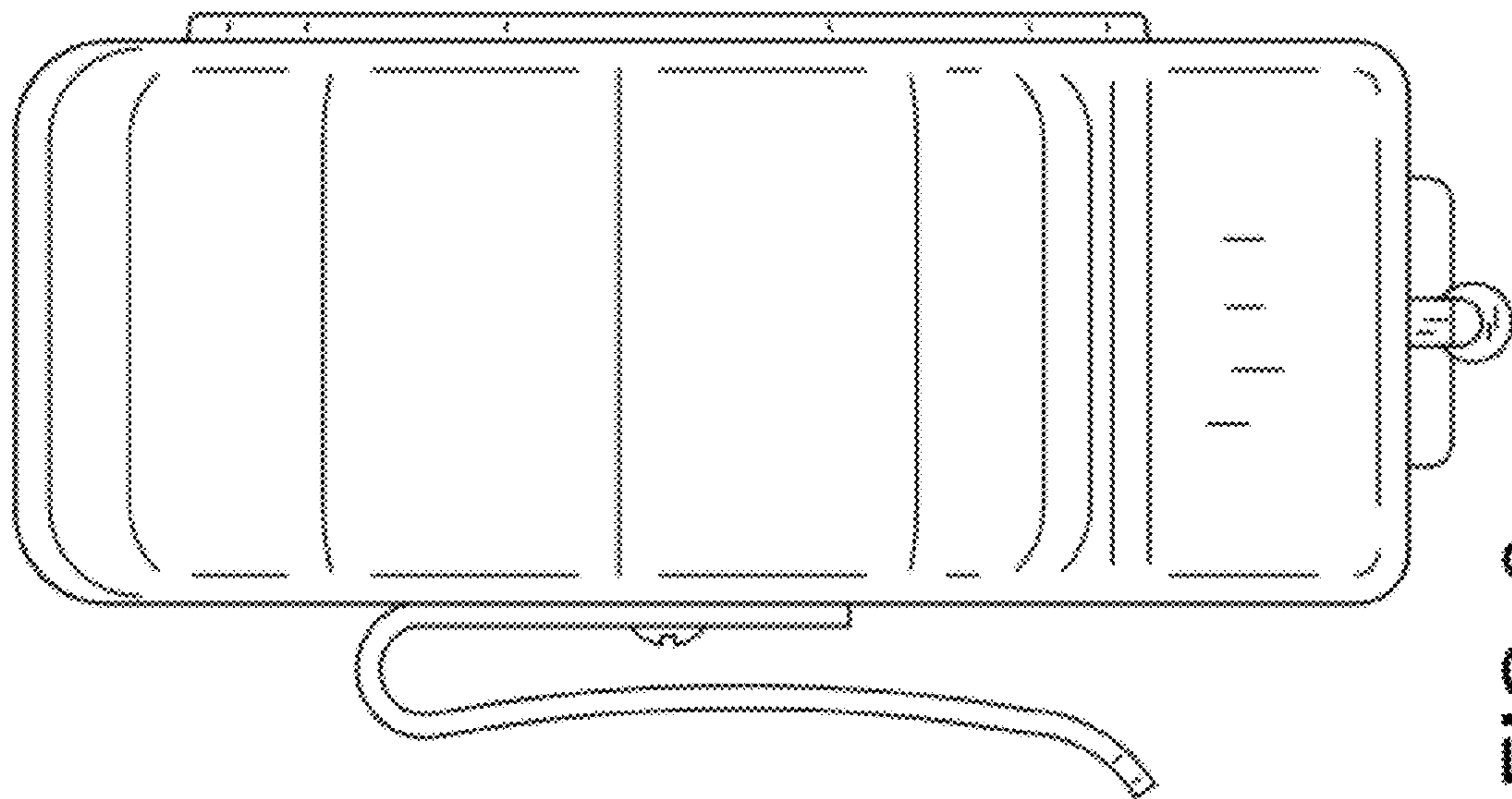


FIG. 3

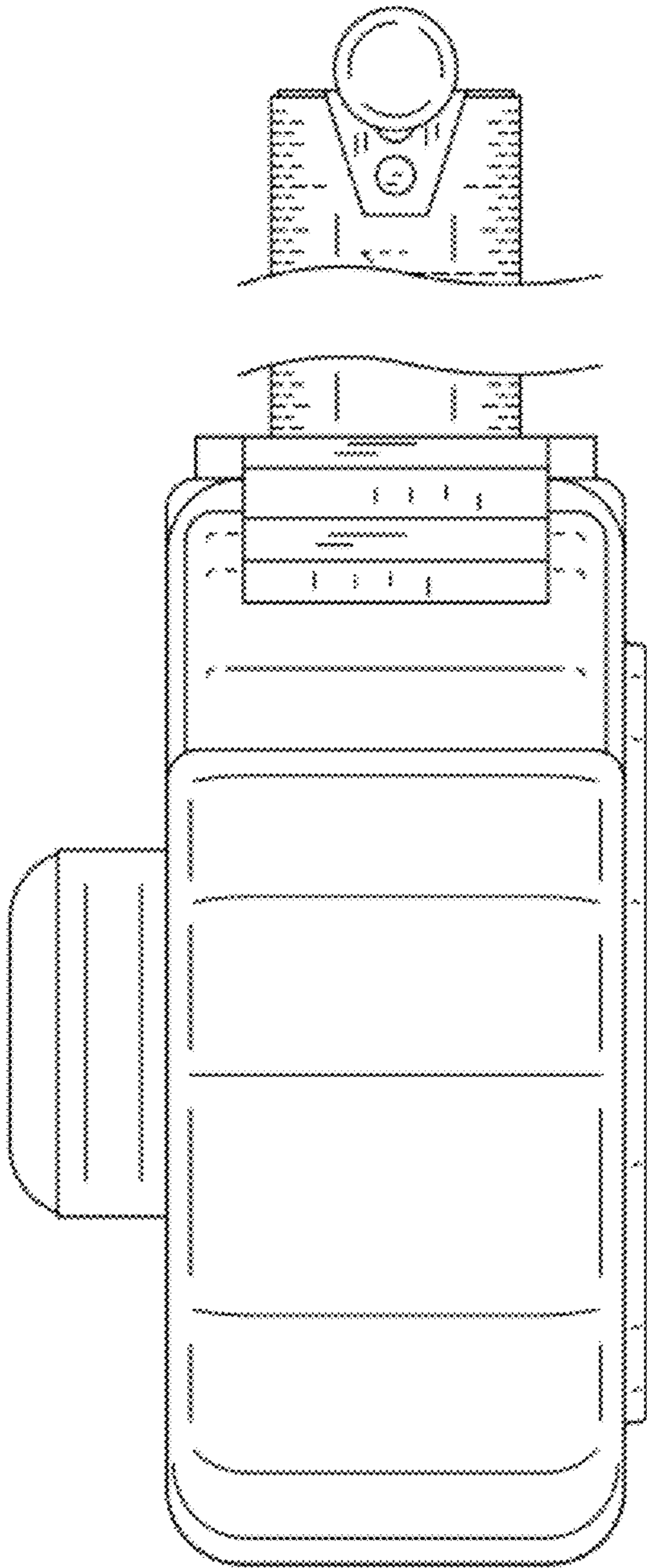


FIG. 5

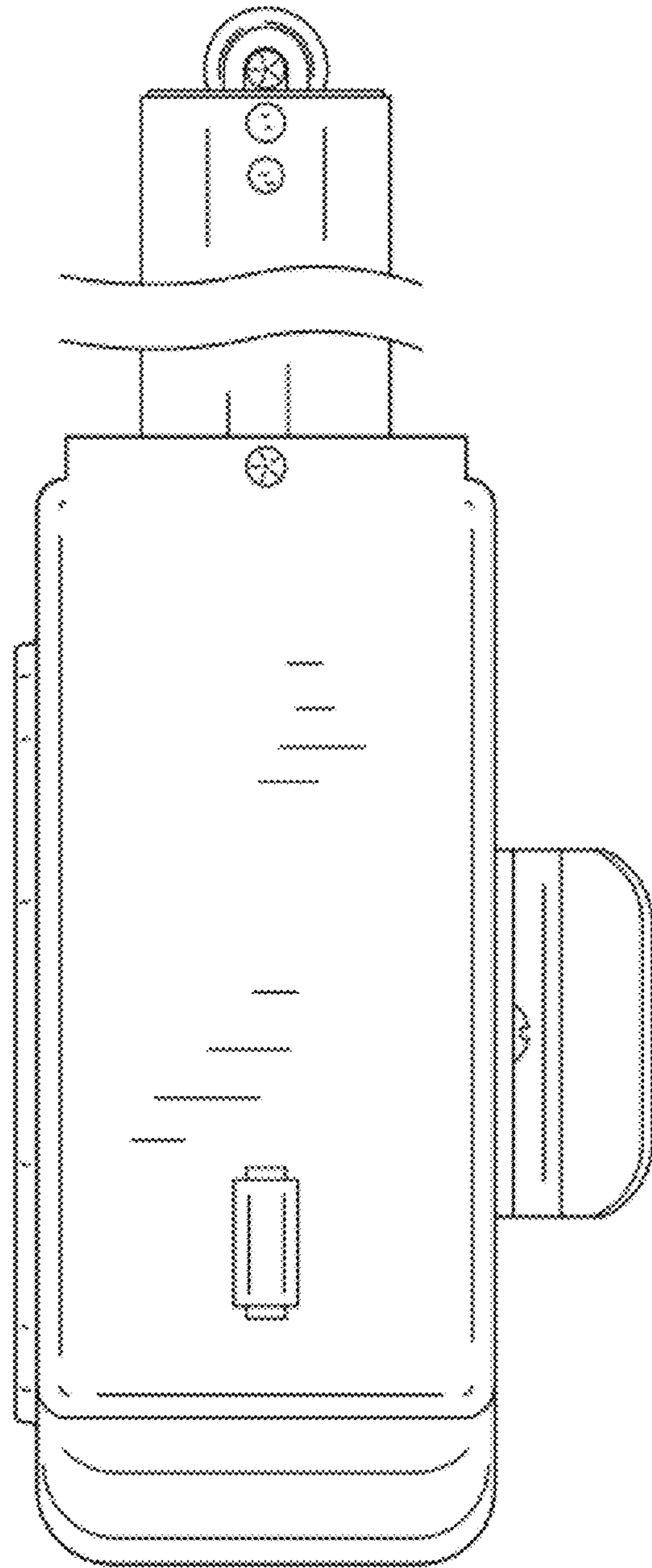


FIG. 6