



US00D660731S

(12) **United States Design Patent**  
**Milewski et al.**

(10) **Patent No.:** **US D660,731 S**

(45) **Date of Patent:** **\*\* May 29, 2012**

(54) **UV RADIATION APPARATUS**

(75) Inventors: **Thomas Milewski**, Halstenbek (DE);  
**Markus Bucher**, Steinenbronn (DE);  
**Karel Golta**, Hamburg (DE)

(73) Assignee: **Brita GmbH**, Taunusstein (DE)

(\*\*) Term: **14 Years**

(21) Appl. No.: **29/402,923**

(22) Filed: **Sep. 29, 2011**

(30) **Foreign Application Priority Data**

Apr. 1, 2011 (DE) ..... 40 2011 002 553

(51) **LOC (9) Cl.** ..... **10-04**

(52) **U.S. Cl.** ..... **D10/47**

(58) **Field of Classification Search** ..... D10/47;  
250/432 R, 504 R, 435, 72; 361/109; 338/334;  
315/299; 422/186.3

See application file for complete search history.

(56) **References Cited**

**U.S. PATENT DOCUMENTS**

2,056,635	A	10/1936	Wiegand
2,625,670	A	1/1953	Embshoff
4,077,876	A	3/1978	Southall
4,204,965	A	5/1980	Vincent
4,769,131	A	9/1988	Noll et al.
4,931,685	A	6/1990	Dobashi et al.
4,965,484	A	10/1990	Fein
5,059,860	A	10/1991	Sato et al.
5,230,792	A	7/1993	Sauska et al.
5,645,720	A	7/1997	Godines
5,653,871	A	8/1997	Thomsen
5,843,309	A	12/1998	Mancil
5,909,085	A	6/1999	Nelson
6,083,387	A	7/2000	LeBlanc et al.
6,144,175	A	11/2000	Parra
6,265,835	B1	7/2001	Parra
6,468,419	B1	10/2002	Kunkel
6,468,420	B1	10/2002	Kunkel
6,593,704	B2	7/2003	Riepe et al.
6,924,495	B1	8/2005	Brickley
7,049,738	B2	5/2006	Fischer et al.

7,061,173	B2	6/2006	Fischer et al.
7,122,115	B2	10/2006	Kraft
2002/0162969	A1	11/2002	Reed
2003/0230981	A1	12/2003	Hiramoto
2004/0027075	A1	2/2004	Hataoka et al.
2004/0061069	A1	4/2004	Schalble et al.
2004/0182761	A1	9/2004	Kuennen et al.
2004/0232846	A1	11/2004	Fischer et al.
2005/0156119	A1	7/2005	Greene
2007/0114465	A1	5/2007	Sajo et al.
2008/0035581	A1*	2/2008	Kuhlmann et al. .... 210/748
2008/0156738	A1	7/2008	Albrecht et al.
2008/0211428	A1*	9/2008	Bayat et al. .... 315/299
2011/0139698	A1	6/2011	Freystedt et al.

**FOREIGN PATENT DOCUMENTS**

CA	2 051 447	10/1990
DE	37 39 966 A1	6/1989
DE	38 37 906 A1	6/1989
DE	38 40 276 A1	5/1990
DE	39 24 350 A1	1/1991
DE	42 28 860 A1	3/1994
DE	199 63 649 A1	7/2001
DE	10 2009 000 092 A1	1/2010
DE	10 2008 040 336 A1	5/2010
DE	10 2008 044 294 A1	6/2010

(Continued)

*Primary Examiner* — Antoine D Davis

(74) *Attorney, Agent, or Firm* — Hudak, Shunk & Farine Co.  
LPA

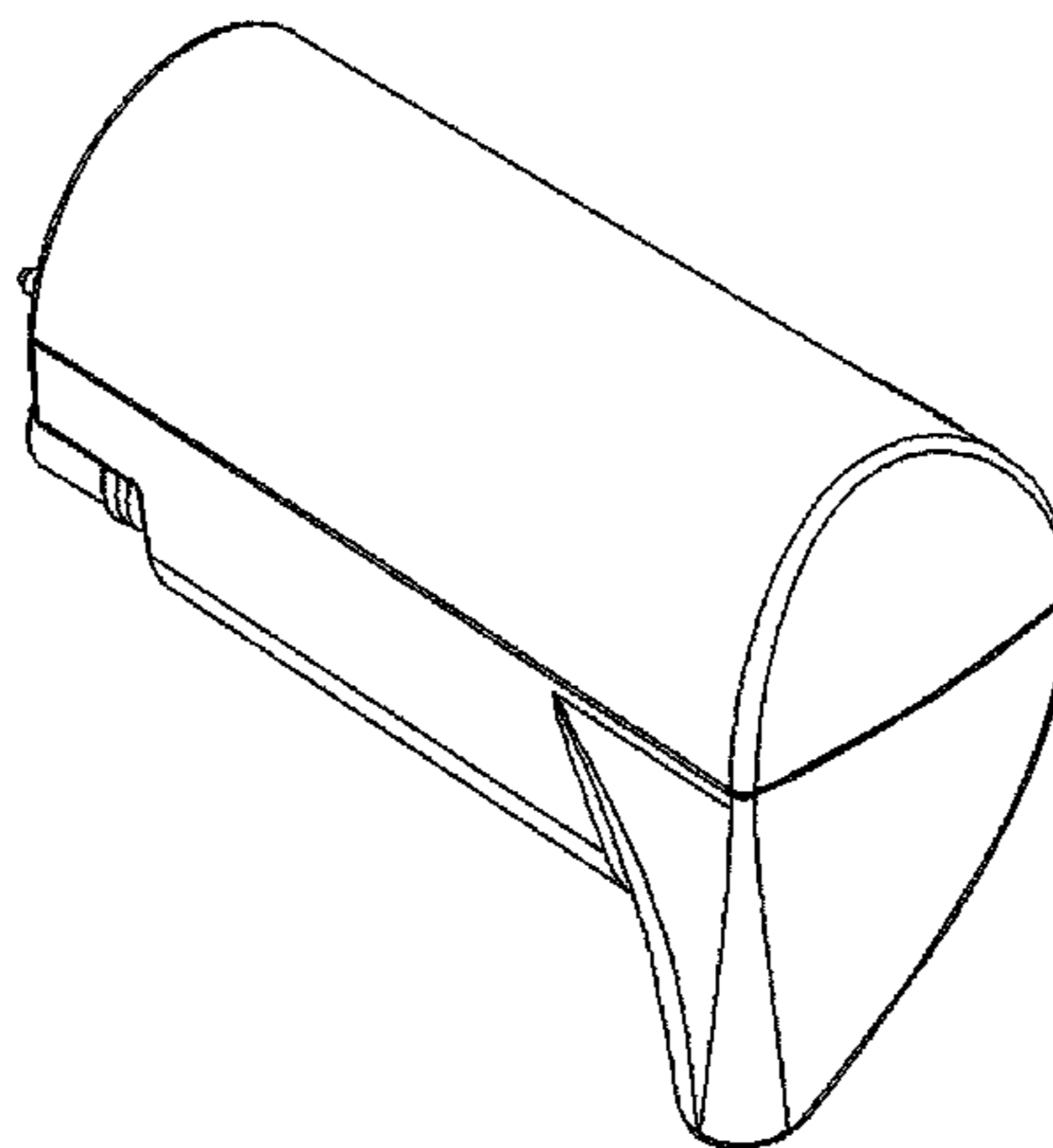
(57) **CLAIM**

The ornamental design for a “UV radiation apparatus,” as shown and described.

**DESCRIPTION**

FIG. 1 is a top plan view;  
FIG. 2 is a bottom plan view;  
FIG. 3 is a front view;  
FIG. 4 is a rear view;  
FIG. 5 is a side view;  
FIG. 6 is another side view;  
FIG. 7 is a perspective view; and,  
FIG. 8 is another perspective view thereof.

**1 Claim, 8 Drawing Sheets**



# US D660,731 S

Page 2

---

FOREIGN PATENT DOCUMENTS					
			WO	03 045835 A1	6/2003
			WO	2004-048276 A1	6/2004
			WO	2004 071965 A1	8/2004
			WO	2005 100251 A1	10/2005
			WO	2005 124236 A2	12/2005
			WO	2006 043283 A1	4/2006
			WO	2007 012079 A2	1/2007
			WO	2007 025376 A2	3/2007
			WO	2009 156509 A1	12/2009
			WO	2010 004027 A1	1/2010
			WO	2010 004028 A1	1/2010
			WO	2010 010076 A1	1/2010
			WO	2010 063722 A1	6/2010
			WO	2010 063723 A1	6/2010
EP	0 064 071 B1	5/1985			
EP	0 312 002 A2	4/1989			
EP	0 611 153 A2	8/1994			
EP	0 872 876 A1	10/1998			
EP	1 440 941 A1	7/2004			
GB	1451810	10/1976			
GB	2 384 238 A	7/2003			
JP	01 260754	10/1989			
JP	03 052686	3/1991			
JP	07-272686	10/1995			
JP	10 174708	6/1998			
JP	2003 287356	10/2003			
WO	96 09250 A1	3/1996			
WO	98 52874 A2	11/1998			
WO	00 78678 A2	12/2000			

\* cited by examiner

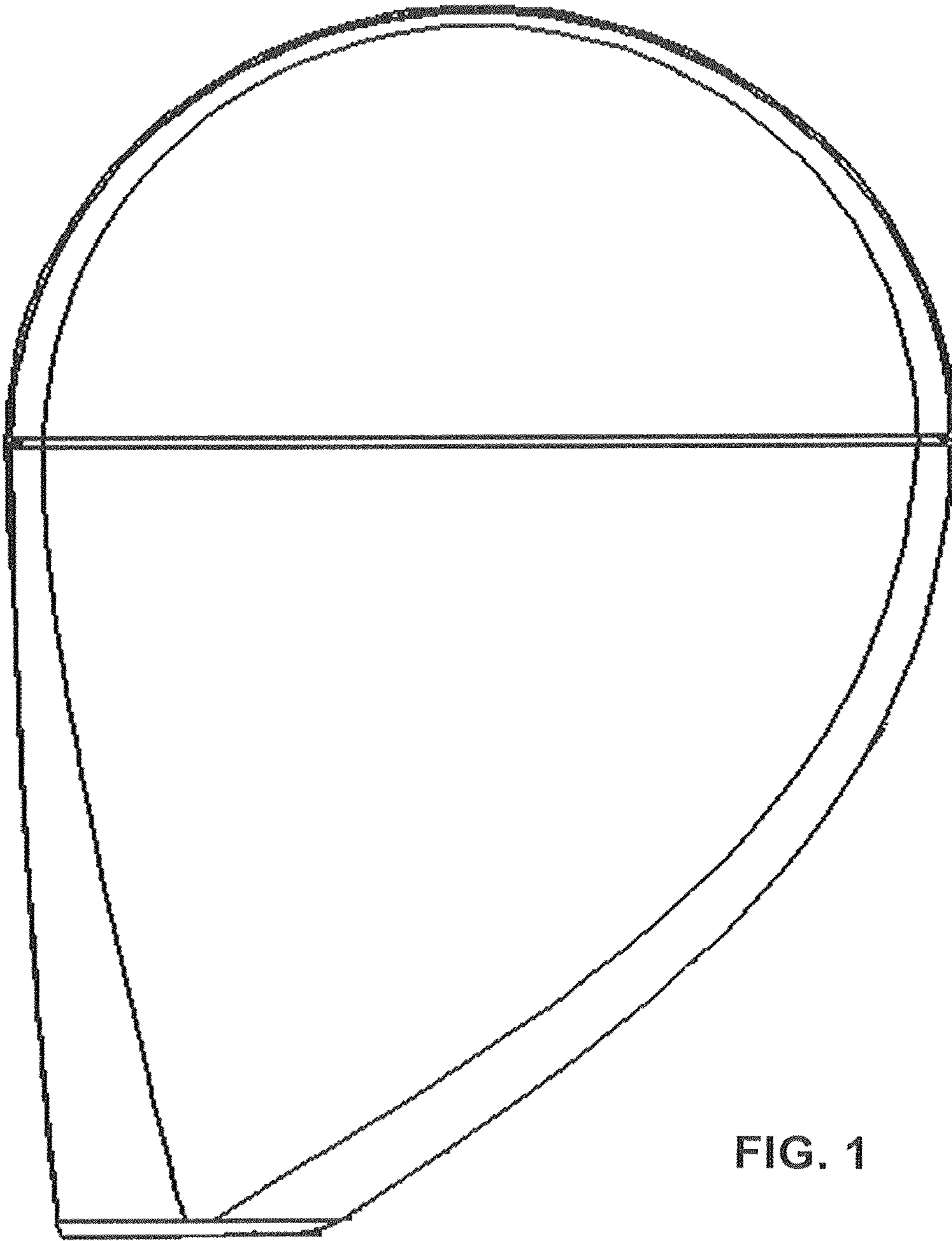


FIG. 1

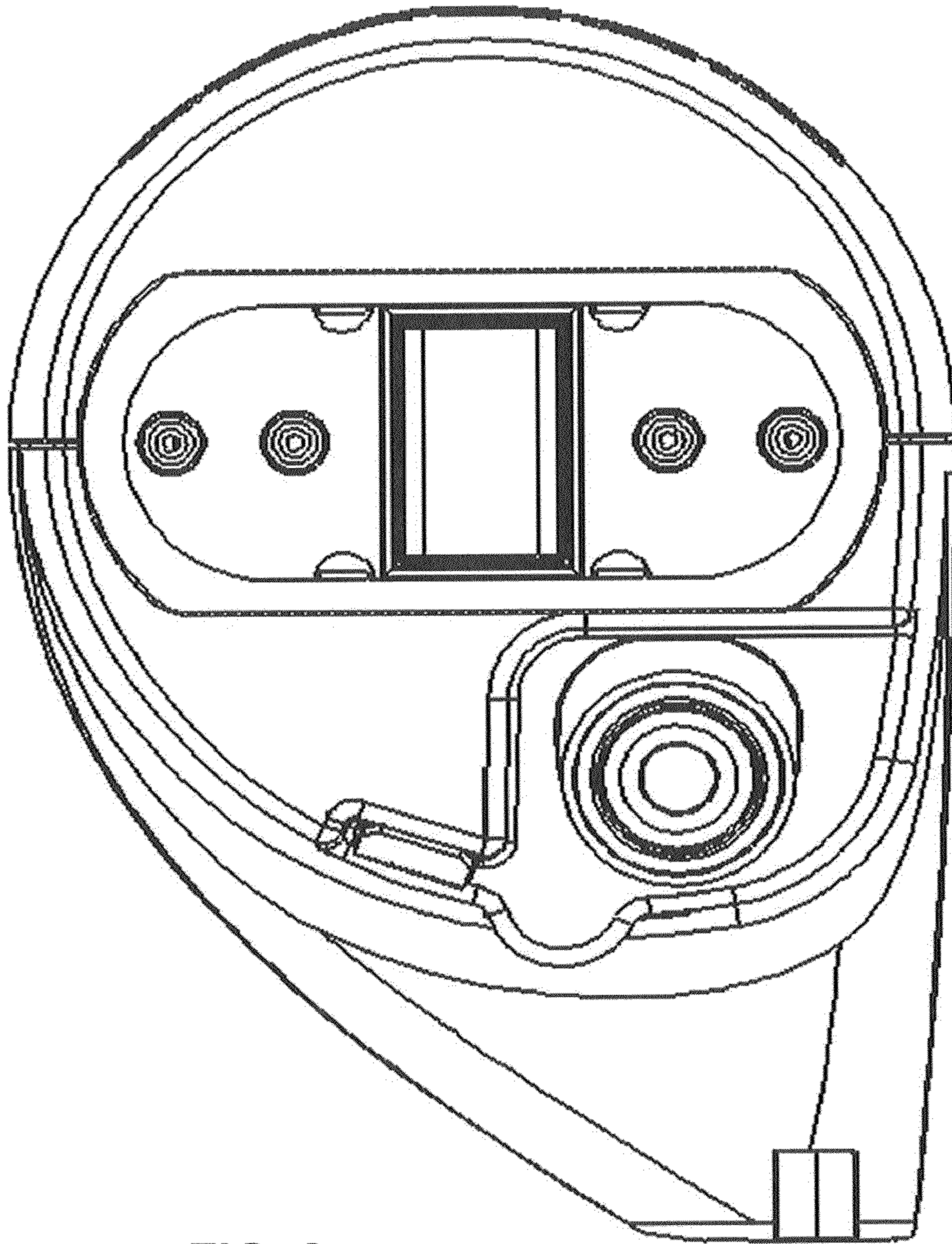


FIG. 2

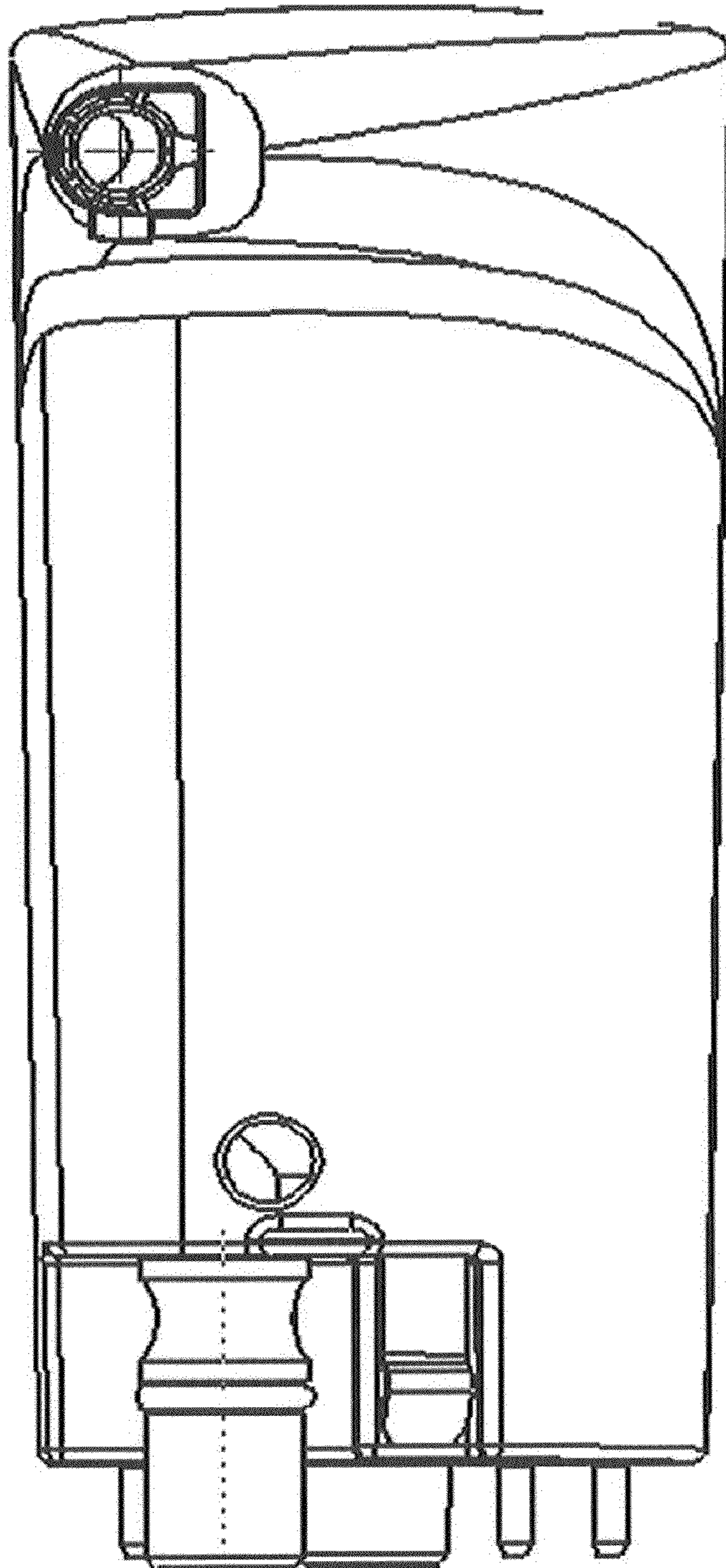


FIG. 3

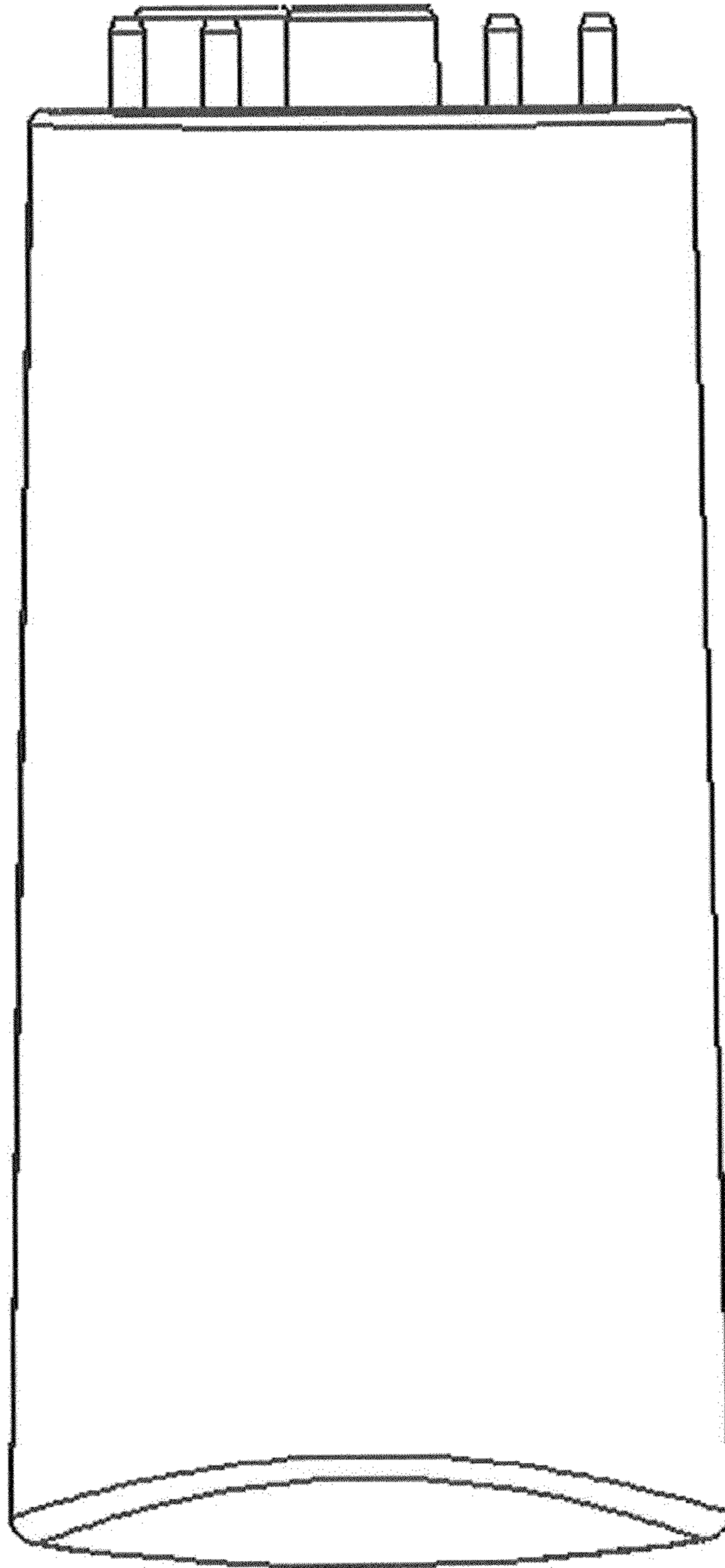


FIG. 4

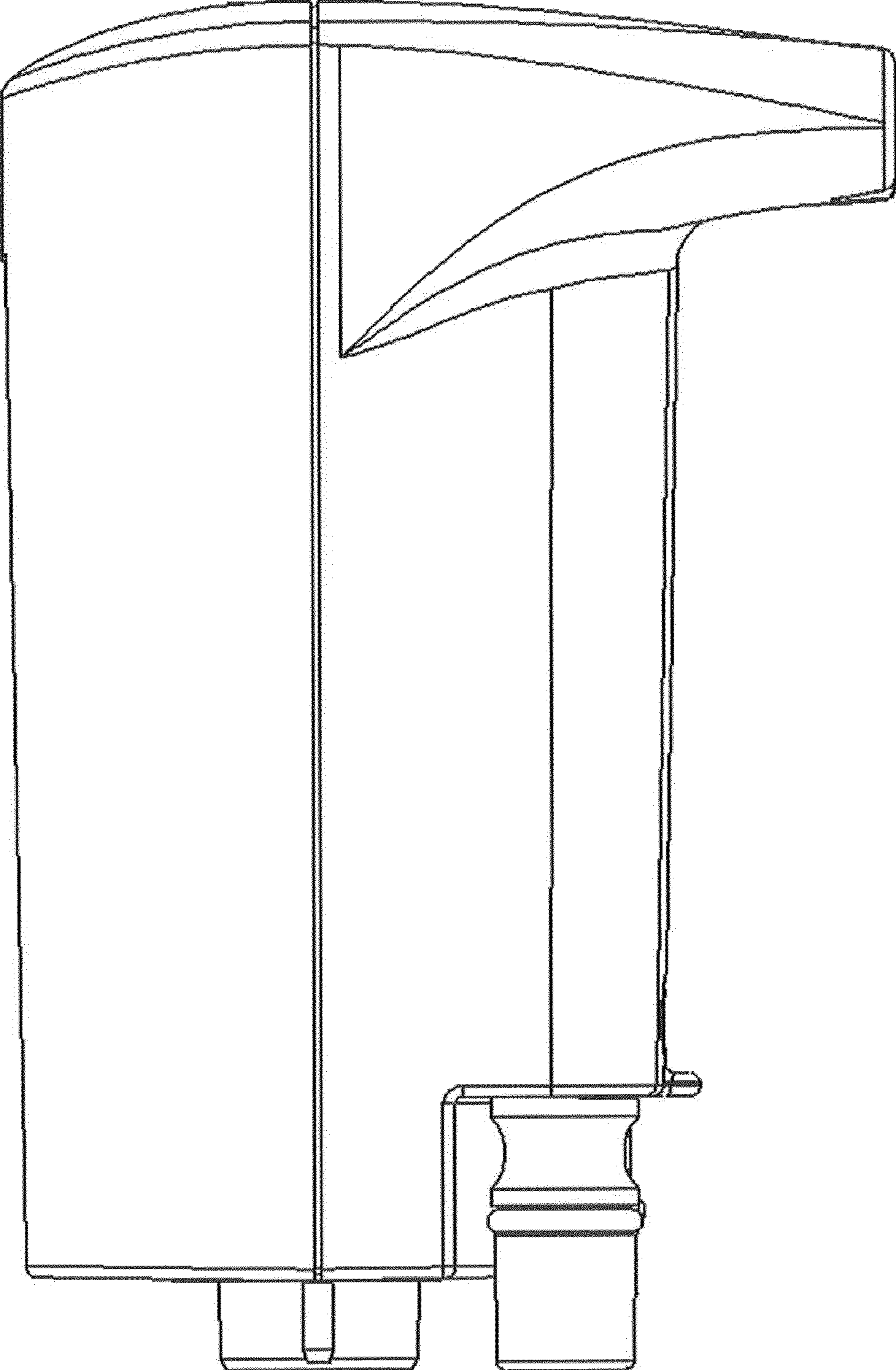


FIG. 5

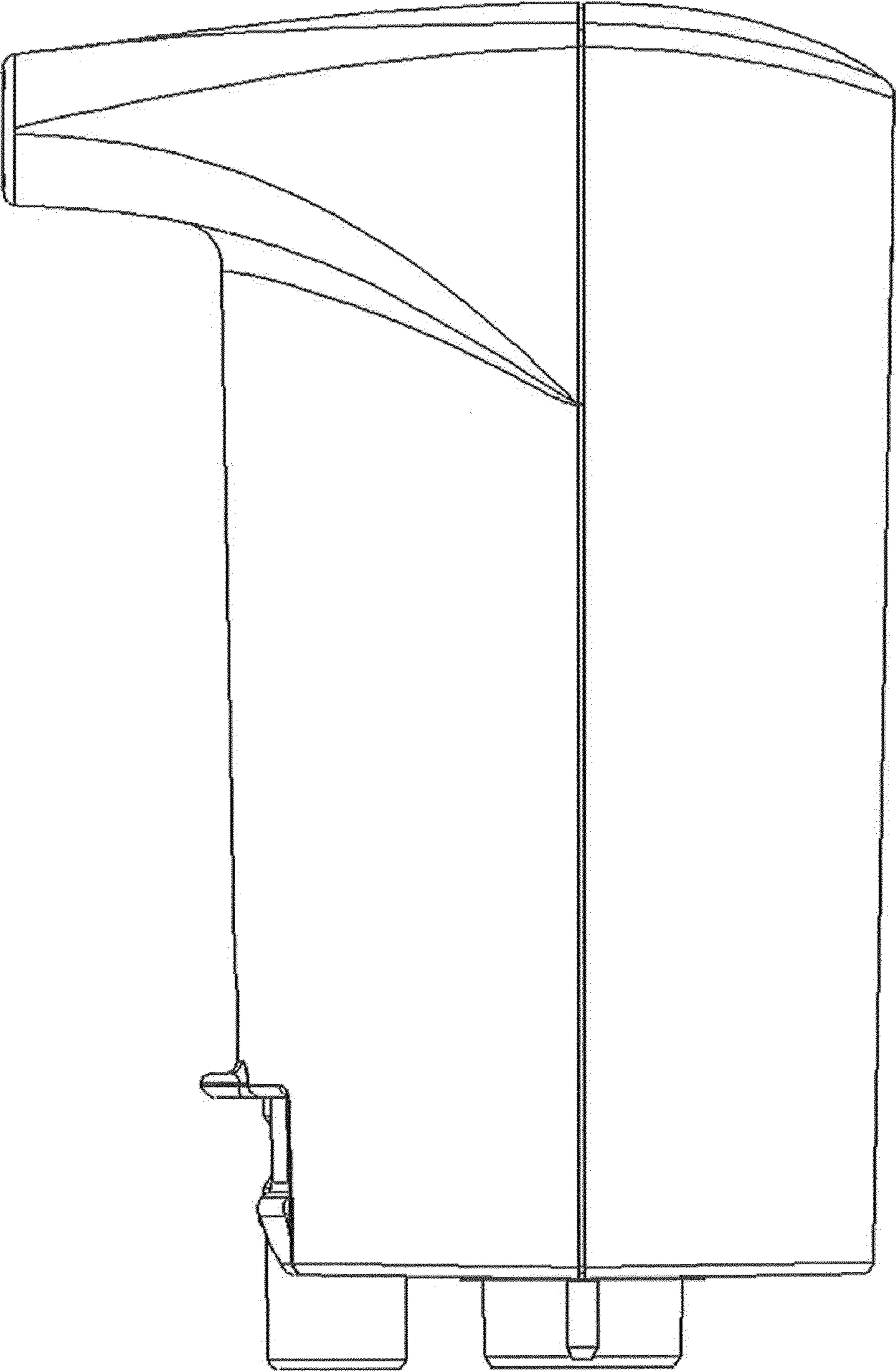


FIG. 6



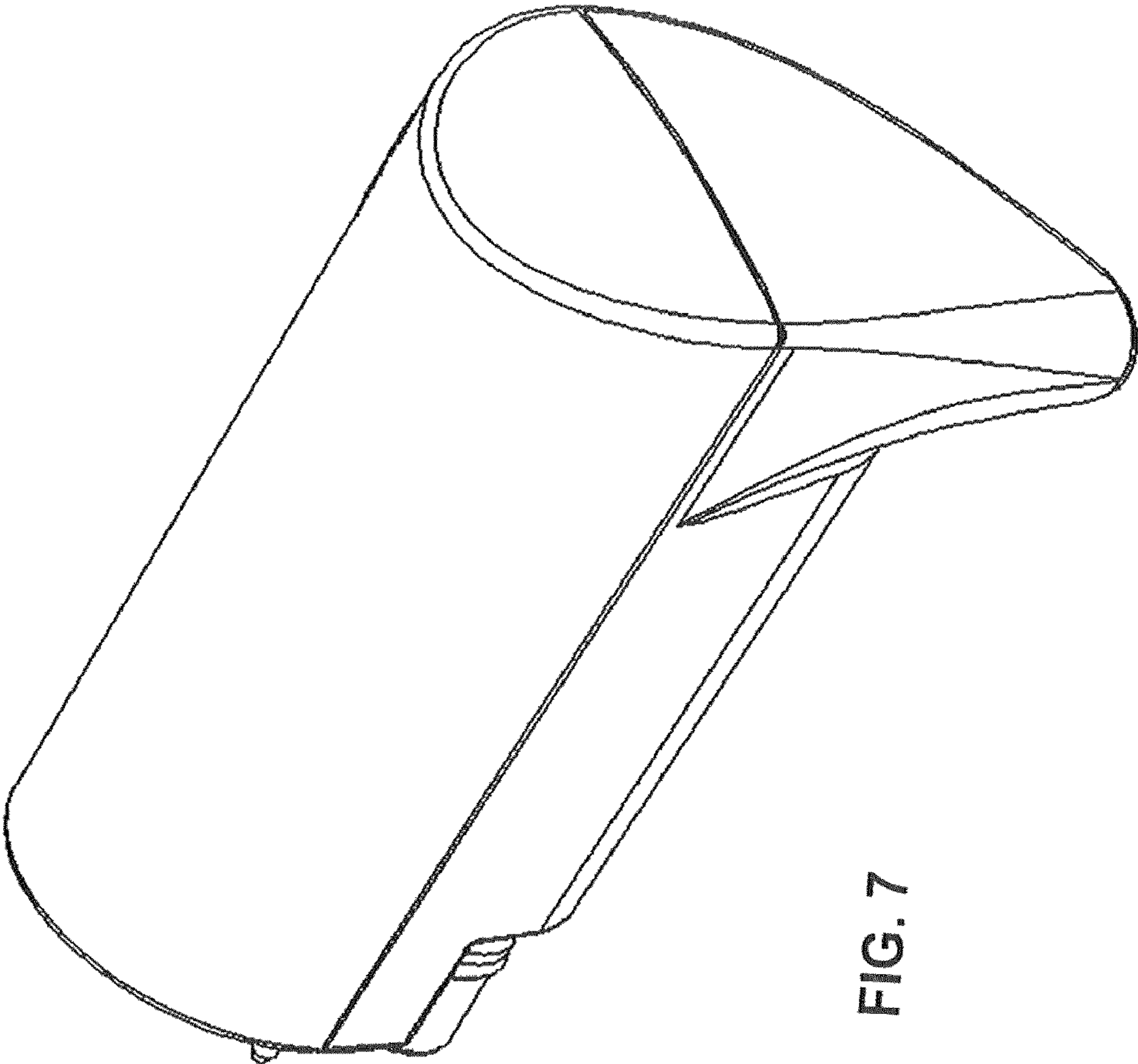


FIG. 7

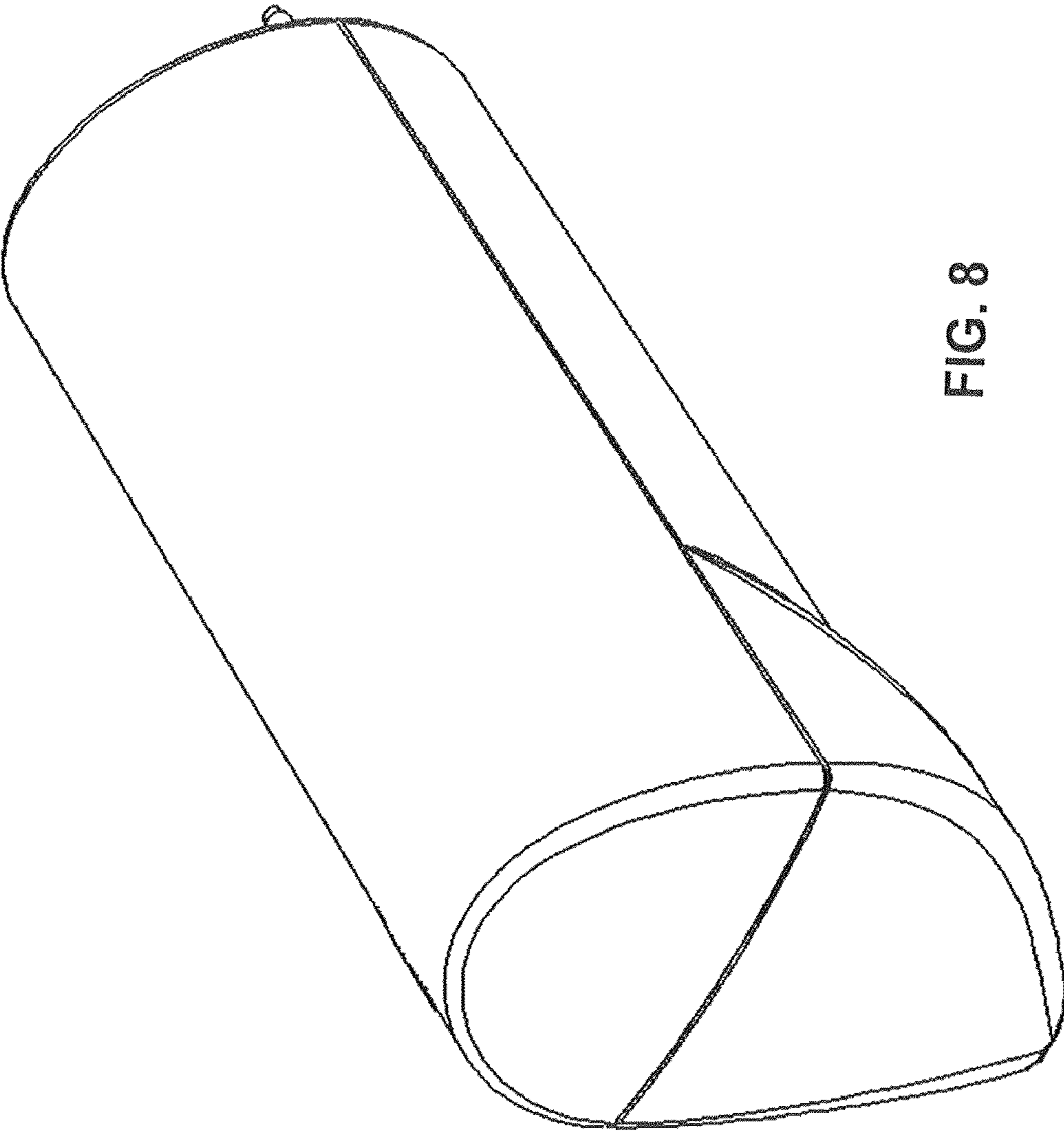


FIG. 8